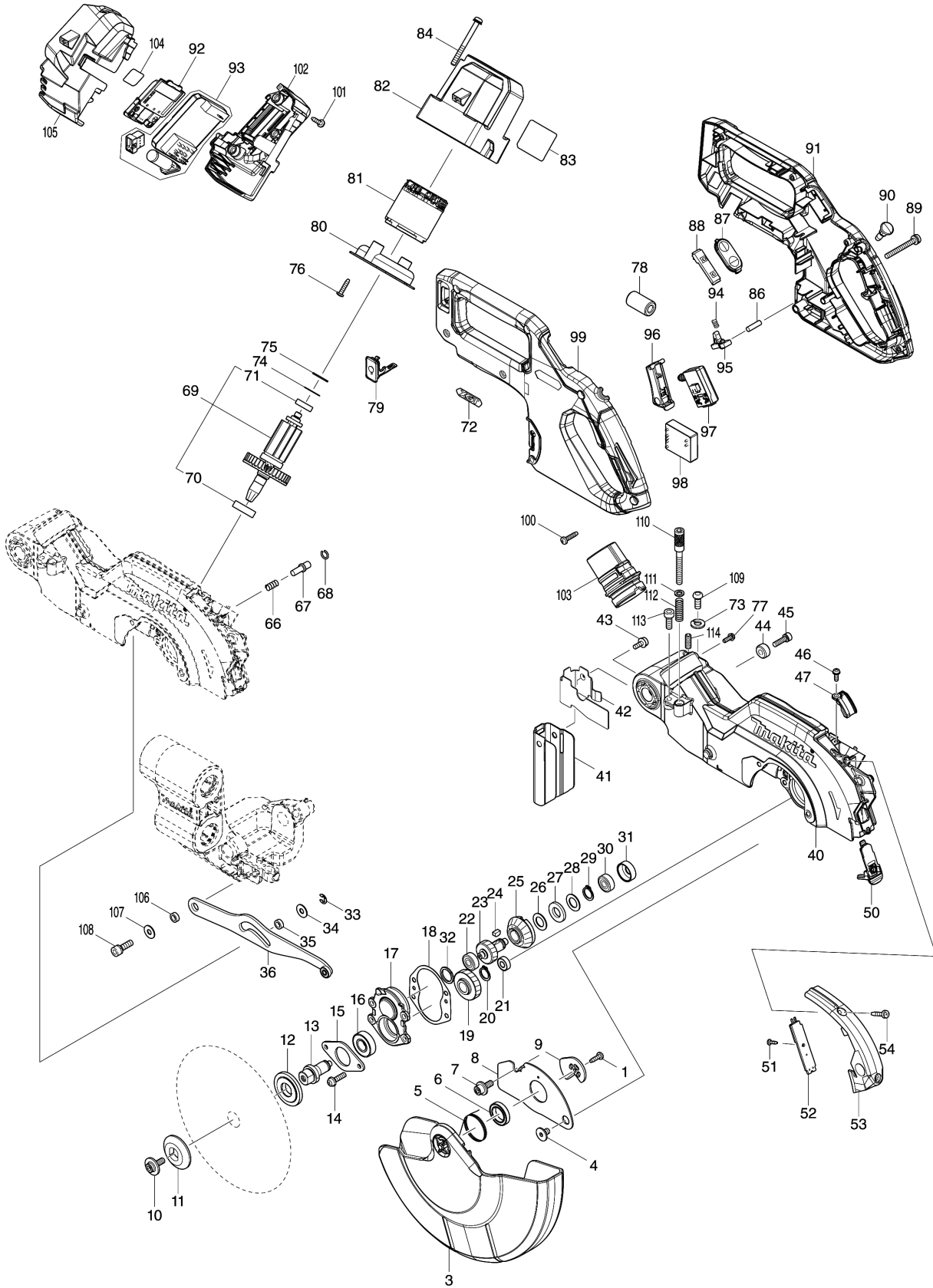
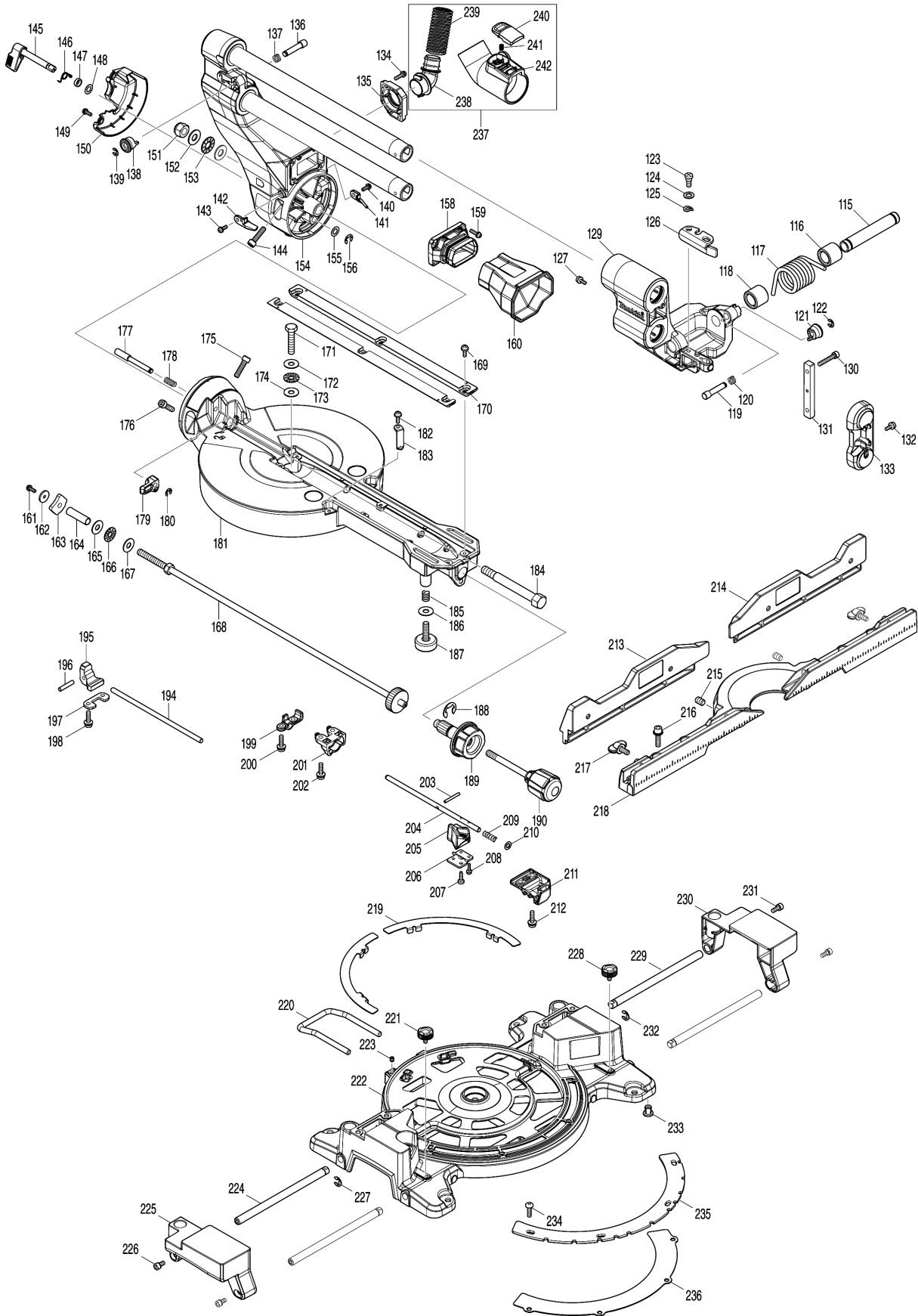


Model No.LS002G 216MM DC SLIDE CPD. MITER SAW



Model No.LS002G 216MM DC SLIDE CPD. MITER SAW



Model No.LS002G 216MM DC SLIDE CPD. MITER SAW

Položka	Objednávacie číslo	Popis	Zmena	ks	New/Old	Možnosť 1	Možnosť 2	Poznámka
001	266192-7	SKRUTKA SAMOREZNÁ 4x14 HR4010C		1				
003	412933-1	SAFETY COVER		1				
004	265985-9	SKRUTKA SAMOREZNÁ M6		1				
005	232311-7	TORSION SPRING 30		1				
006	210150-5	BALL BEARING 6803DDW		1				
007	266732-1	SKRUTKA M6X16MM		1				
008	347731-3	CENTER COVER		1				
009	347059-9	CENTER PLATE		1				
010	266733-9	SKRUTKA ŠESTĚHRANNÁ M6x16		1				
011	224275-9	PRÍRUBOVÁ MATICA 40		1				
012	224614-3	INNER FLANGE 40		1				
013	327697-3	SPINDLE		1				
014	911233-1	SKRUTKA M5x20		4				
015	285043-5	BEARING RETAINER 52		1				
016	211131-2	LOŽISKO GULIČKOVÉ 6001DDW		1				
017	312A44-7	BEARING BOX		1				
018	422652-1	GASKET		1				
019	227838-0	HELICAL GEAR 43		1				
020	961052-5	POISTNÝ KRÚŽOK S-12		1				
021	210006-2	LOŽISKO GULIČKOVÉ 696ZZ 2106		1				
022	211021-9	LOŽISKO GULIČKOVÉ 607LLB		1				
023	227837-2	HELICAL GEAR 30		1				
024	254011-9	PERO WOODRUFFOVE 4		1				
025	227836-4	SPIRAL BEVEL GEAR 33		1				
026	253744-3	PODLOŽKA 12		1				
027	261104-5	PODLOŽKA GUMENÁ		1				
028	253744-3	PODLOŽKA 12		1				
029	961052-5	POISTNÝ KRÚŽOK S-12		1				
030	211021-9	LOŽISKO GULIČKOVÉ 607LLB		1				
031	424605-6	RUBBER RING 19		1				
032	261153-2	URETHAN WASHER 15		1				
033	961018-5	STOP KRUZOK E-5		1				
034	253804-1	PODLOŽKA 6 3901		1				
035	257163-5	KRÚŽOK 3 LS1013/800DWB		1				
036	140W98-4	LINK PLATE COMPLETE		1				
040	140W84-5	BLADE CASE COMPLETE		1				
C10	263002-9	KOLÍK GUMA 4		3				
C20	422724-2	CUSHION		1				
C30	322316-6	LINK SHAFT		1				
041	422651-3	GUARD		1				
042	345438-5	GUARD PLATE		1				
043	911119-9	SKRUTKA M4x12		1				
044	257785-1	SLEEVE 6		1				

Please order the parts with part number.

Print Date 3/3/2021

Model No.LS002G 216MM DC SLIDE CPD. MITER SAW

Položka	Objednávacie číslo	Popis	Zmena	ks	New/Old	Možnosť 1	Možnosť 2	Poznámka
045	922226-3	INBUSOVÁ SKRUTKA M5x18 4340CT-41FCT		1				
046	911118-1	SKRUTKA M4x12		1				
047	458075-7	LEAD COVER		1				
050	140X03-7	LENS COMPLETE		1				
051	266421-8	SKRUTKA SAMOREZNÁ 3x10		1				
052	620E07-6	LED CIRCUIT		1				
053	141A59-5	LED COVER COMPLETE		1				
C10	8024V4-4	CAUTION LABEL		1				
C20	931102-0	MATICA M4		1				
054	266034-5	SKRUTKA SAMOREZNÁ CT 4x16		2				
066	231240-1	PRUŽINA 7		1				
067	256633-1	KOLÍK		1				
068	231928-3	PODLOŽKA PRUŽNÁ		1				
069	519649-0	ROTOR ASS'Y		1				
D10		INC. 70,71						
070	211131-2	LOŽISKO GULIČKOVÉ 6001DDW		1				
071	210017-7	LOŽISKO GULIČKOVÉ 607DDW BO5010		1				
072	8024V5-2	XGT LOGO LABEL		1				
073	942151-2	PRUZNA PODLOZKA 6		1				
074	253842-3	PODLOŽKA 14		1				
075	261153-2	URETHAN WASHER 15		1				
076	265995-6	SKRUTKA SAMOREZNÁ 4x18		2				
077	911118-1	SKRUTKA M4x12		1				
078	688162-0	LINE FILTER		1				
079	140F99-0	CAP COMPLETE		1				
C10	213218-6	O-KRÚŽOK 16 AN7000		1				
C20	818H07-8	CAP LABEL		1				
080	459933-0	BAFFLE PLATE		1				
081	629A26-5	STATOR		1				
082	412926-8	MOTOR HOUSING		1				
083	858A05-8	LS002G NAME PLATE		1				
084	911278-9	PAN HEAD SCREW M5X55		4				
086	256123-4	KOLÍK 5 HR1800/HR2010/HK0500		1				
087	140X02-9	SWITCH PLATE COMPLETE		1				
C10	8024V3-6	SWITCH LABEL		1				
088	631973-2	SWITCH UNIT		1				
089	911268-2	SKRUTKA M5x45 911268-2		1				
090	417113-4	SWITCH BUTTON		1				
091	183R96-5	HANDLE SET		1				
D10		INC. 99						
092	632P64-8	TERMINAL UNIT		1				
093	620E06-8	CONTROLLER		1				

Please order the parts with part number.

Print Date 3/3/2021

Model No.LS002G 216MM DC SLIDE CPD. MITER SAW

Položka	Objednávacie číslo	Popis	Zmena	ks	New/Old	Možnosť 1	Možnosť 2	Poznámka
094	231026-3	PRUŽINA PRÍTLAČNÁ 4 231026-3		1				
095	416533-9	LOCK OFF LEVER		1				
096	459966-5	SWITCH LEVER		1				
097	651083-9	SWITCH C3XA-1PSPM		1				
098	620E08-4	POWER SUPPLY CIRCUIT		1				
099	183R96-5	HANDLE SET		1				
D10		INC. 91						
100	265995-6	SKRUTKA SAMOREZNÁ 4x18		6				
101	265995-6	SKRUTKA SAMOREZNÁ 4x18		3				
102	183R92-3	BATTERY HOUSING SET		1				
C10	263005-3	KOLÍK GUMA 6 2414		2				
D10		INC. 105						
103	459250-8	DUST NOZZLE		1				
104	858A11-3	LS002G SERIAL NO. LABEL		1				
105	183R92-3	BATTERY HOUSING SET		1				
C10	263005-3	KOLÍK GUMA 6 2414		2				
D10		INC. 102						
106	257163-5	KRÚŽOK 3 LS1013/800DWB		1				
107	253804-1	PODLOŽKA 6 3901		1				
108	922331-6	IMBUSOVA SKRUTKA M6		1				
109	265484-1	SKRUTKA IMBUSOVÁ M6x18 neu 1806B		1				
110	265B58-0	HEX SOCKET HEAD BOLT M6X45		1				
111	941152-7	PODLOZKA 6		1				
112	233343-7	PRUŽINA PRÍTLAČNÁ 7		1				
113	266757-5	HEX. SOCKET HEAD BOLT M6X16		1				
114	266321-2	H.S.SET SCREW(FLAT POINT)M6X16		1				
115	327710-7	ROD 16		1				
116	416905-8	SLEEVE 17-23		1				
117	231685-3	TORSION SPRING 29		1				
118	416905-8	SLEEVE 17-23		1				
119	327702-6	LOCK PIN 7-9		1				
120	234316-3	COMPRESSION SPRING 7		1				
121	271428-1	KNOB 20		1				
122	961018-5	STOP KRUZOK E-5		1				
123	251267-5	SKRUTKA M6		1				
124	253215-0	PODLOŽKA 8		1				
125	253948-7	WAVE WASHER 8		1				
126	344643-1	STOPPER ARM		1				
127	911119-9	SKRUTKA M4x12		2				
129	140W83-7	FRONT ARM COMPLETE		1				
C10	263005-3	KOLÍK GUMA 6 2414		2				
130	922251-4	INBUSOVÁ SKRUTKA M5x30 SG1250		2				

Please order the parts with part number.

Print Date 3/3/2021

Model No.LS002G 216MM DC SLIDE CPD. MITER SAW

Položka	Objednávacie číslo	Popis	Zmena	ks	New/Old	Možnosť 1	Možnosť 2	Poznámka
131	327705-0	SQUARE ROD		1				
132	911118-1	SKRUTKA M4x12		1				
133	412938-1	RAIL HOLDER		1				
134	911128-8	SKRUTKA M4x16		2				
135	412947-0	INLET		1				
136	327702-6	LOCK PIN 7-9		1				
137	234316-3	COMPRESSION SPRING 7		1				
138	271428-1	KNOB 20		1				
139	961018-5	STOP KRUZOK E-5		1				
140	911118-1	SKRUTKA M4x12		1				
141	412943-8	INDICATION PLATE R		1				
142	412942-0	INDICATION PLATE L		1				
143	911118-1	SKRUTKA M4x12		1				
144	251582-7	HEX SOCKET HEAD BOLT M6X25		1				
145	271466-3	LEVER 30		1				
146	232651-3	TORSION SPRING 8		1				
147	257848-3	RING 8		1				
148	253215-0	PODLOŽKA 8		1				
149	911118-1	SKRUTKA M4x12		2				
150	412934-9	ARM COVER		1				
151	252130-5	MATICA M10-17		1				
152	253024-7	PODLOŽKA 10 253024-7		2				
153	216413-7	THRUST NEEDLE CAGE 1024		1				
154	140W82-9	ARM COMPLETE		1				
C10	8024V1-0	INDICATION LABEL		1				
155	253215-0	PODLOŽKA 8		1				
156	961013-5	BLOKOVACÍ KRÚŽOK E-7 961013-5 DA3000R		1				
158	412944-6	DUST GUIDE HOLDER		1				
159	911128-8	SKRUTKA M4x16		4				
160	422648-2	DUST GUIDE		1				
161	911118-1	SKRUTKA M4x12		1				
162	253400-5	FLAT WASHER 4		1				
163	347759-1	LOCK PLATE		1				
164	257849-1	SLEEVE 8		1				
165	253731-2	PODLOŽKA 8 253731-2		1				
166	216415-3	IHLIČKOVÉ LOŽISKO 821 6823-26		1				
167	253731-2	PODLOŽKA 8 253731-2		1				
168	162942-7	LOCK SHAFT COMPLETE		1				
169	911119-9	SKRUTKA M4x12		6				
170	412940-4	KERF BOARD		2				
171	265442-7	HEX. BOLT M8X40		1				
172	253731-2	PODLOŽKA 8 253731-2		1				
173	216415-3	IHLIČKOVÉ LOŽISKO 821 6823-26		1				

Please order the parts with part number.

Print Date 3/3/2021

Model No.LS002G 216MM DC SLIDE CPD. MITER SAW

Položka	Objednávacie číslo	Popis	Zmena	ks	New/Old	Možnosť 1	Možnosť 2	Poznámka
174	253731-2	PODLOŽKA 8 253731-2		1				
175	251582-7	HEX SOCKET HEAD BOLT M6X25		1				
176	251582-7	HEX SOCKET HEAD BOLT M6X25		1				
177	327704-2	STOPPER ROD		1				
178	234122-6	COMPRESSION SPRING 6		1				
179	271465-5	LEVER 24		1				
180	961018-5	STOP KRUZOK E-5		1				
181	140W81-1	TURN BASE COMPLETE		1				
C10	8024U7-1	BEVEL SCALE LABEL		1				
C20	8024U8-9	INDICATION LABEL		1				
C30	812X85-6	CAUTION LABEL		1				
C40	813L22-1	CAUTION LABEL		2				
182	911119-9	SKRUTKA M4x12		1				
183	459928-3	INDICATION PLATE		1				
184	327698-1	CENTER SHAFT		1				
185	231418-6	COMPRESSION SPRING 9		1				
186	253731-2	PODLOŽKA 8 253731-2		1				
187	266432-3	ADJUST BOLT M8X27		1				
188	961062-2	STOP RING E-12		1				
189	271464-7	GRIP 46		1				
190	271463-9	GRIP 38		1				
194	327700-0	LOCK ROD 6		1				
195	313326-4	TURN STOPPER		1				
196	256186-0	PIN 5		1				
197	347601-6	STOPPER HOLDER		1				
198	911233-1	SKRUTKA M5x20		2				
199	312A46-3	PIN HOLDER		1				
200	911233-1	SKRUTKA M5x20		2				
201	412941-2	LEAD BLOCK		1				
202	911233-1	SKRUTKA M5x20		2				
203	256267-0	PIN 3		1				
204	327701-8	LOCK PIN 6		1				
205	412939-9	LEVER 38		1				
206	347760-6	LEVER PLATE		1				
207	266192-7	SKRUTKA SAMOREZNÁ 4x14 HR4010C		1				
208	911013-5	PAN HEAD SCREW M3X10		2				
209	233201-7	COMPRESSION SPRING 6		1				
210	941152-7	PODLOZKA 6		1				
211	312A45-5	GEAR COVER		1				
212	911233-1	SKRUTKA M5x20		2				
213	140W85-3	UPPER FENCE L COMPLETE		1				
C10	810503-4	CAUTION LABEL		1				
214	140W86-1	UPPER FENCE R COMPLETE		1				
C10	810503-4	CAUTION LABEL		1				

Please order the parts with part number.

Print Date 3/3/2021

Model No.LS002G 216MM DC SLIDE CPD. MITER SAW

Položka	Objednávacie číslo	Popis	Zmena	ks	New/Old	Možnosť 1	Možnosť 2	Poznámka
215	266089-0	H.S.SET SCREW(FLAT POINT)M8X12		2				
216	922344-7	H.S.H.BOLT M6X25 WITH WG		4				
217	265701-9	SKRUTKA M6x14 5704R		2				
218	312A38-2	GUIDE FENCE		1				
219	347758-3	SLIDE PLATE		2				
220	327706-8	BASE SUPPORTER		1				
221	265785-7	THUMB SCREW M5X10		1				
222	140W80-3	BASE COMPLETE		1				
C10	810486-8	CAUTION LABEL		1				
223	266264-8	SKRUTKA IMBUS M5x6		1				
224	327703-4	ROD 10		2				
225	312A42-1	SUB BASE L		1				
226	922211-6	H.S.H.BOLT M5X12 WITH W		2				
227	961013-5	BLOKOVACÍ KRÚŽOK E-7 961013-5 DA3000R		1				
228	265785-7	THUMB SCREW M5X10		1				
229	327703-4	ROD 10		2				
230	312A43-9	SUB BASE R		1				
231	922211-6	H.S.H.BOLT M5X12 WITH W		2				
232	961013-5	BLOKOVACÍ KRÚŽOK E-7 961013-5 DA3000R		1				
233	286044-6	CAP 13		4				
234	251546-1	+ PAN HEAD SCREW M5		4				
235	347756-7	MITER SCALE PLATE		1				
236	347757-5	MITER LOCK PLATE		1				
237	127692-1	DUST NOZZLE ASSEMBLY		1				
D10		INC. 238-242						
238	412945-4	HOSE CONNECTOR		1				
239	245062-3	HOSE 20-0.4		1				
240	458939-5	BUTTON A		1				
241	232485-4	COMPRESSION SPRING 5		1				
242	412946-2	HOSE JOINT		1				
A01	127693-9	WISE ASSEMBLY		1				
C10	312A56-0	WISE ARM		1				
C20	265785-7	THUMB SCREW M5X10		1				
C30	327707-6	WISE ROD		1				
C40	265B61-1	THUMB SCREW M10X70		1				
C50	253804-1	PODLOŽKA 6 3901		1				
C60	343651-9	WISE PLATE		1				
C70	251370-2	+ PAN HEAD SCREW M5		1				
A02	127512-9	DUST BAG ASSEMBLY		1				
C10	412411-1	FASTENER		1				
A03	762001-3	UHOLNÍK LS1040		1				
A04	198900-7	WIRELESS UNIT SET		1	*			
A04-1	198900-7	WIRELESS UNIT SET	<	1				
A05	783022-2	HEX. WRENCH 5		1				

Please order the parts with part number.

Print Date 3/3/2021

Model No.LS002G 216MM DC SLIDE CPD. MITER SAW

Položka	Objednávacie číslo	Popis	Zmena	ks	New/Old	Možnosť 1	Možnosť 2	Poznámka
A06	E-06971	EFFICUT FOR WOOD CUTTING/ EN		1				

Please order the parts with part number.

Print Date 3/3/2021