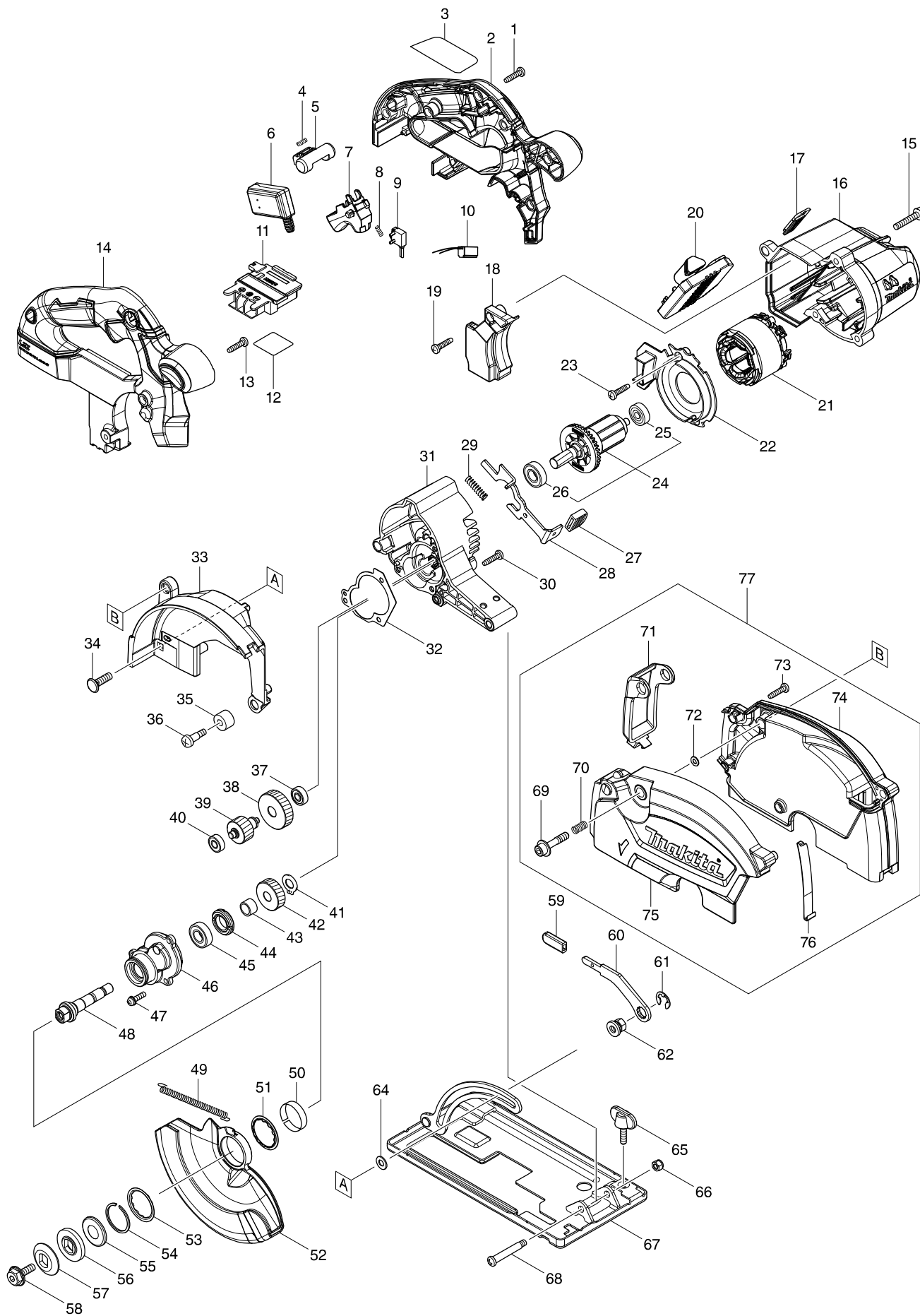


Model DCS553 150MM CORDLESS METAL CUTTER



Model DCS553 150MM CORDLESS METAL CUTTER

Strana 1 / 2

| Položka | Objednávacie | Popis | I/C | ks | N/O | Možnosť 1 | Možnosť 2 | Poznámka |
|---------|--------------|-------------------------------------|-----|----|-----|-----------|-----------|----------|
| 001 | 265995-6 | SKRUTKA SAMOREZNÁ 4x18 | | 6 | | | | |
| 002 | 183K13-3 | HANDLE SET | | 1 | | | | |
| C10 | 263005-3 | KOLÍK GUMA 6 2414 | | 2 | | | | |
| D10 | | INC. 14 | | | | | | |
| 003 | 854S64-8 | DCS553 NAME PLATE | | 1 | | | | |
| 004 | 231433-0 | PRUŽINA PRÍTLAČNÁ 4 | | 1 | | | | |
| 005 | 419704-7 | LOCK OFF BUTTON | | 1 | | | | |
| 006 | 651083-9 | SWITCH C3XA-1PSPM | | 1 | | | | |
| 007 | 458594-3 | SWITCH LEVER | | 1 | | | | |
| 008 | 231433-0 | PRUŽINA PRÍTLAČNÁ 4 | | 1 | | | | |
| 009 | 632M68-2 | SWITCH UNIT | | 1 | | | | |
| 010 | 620936-3 | LED CIRCUIT | | 1 | | | | |
| 011 | 643874-2 | TERMINAL | | 1 | | | | |
| 012 | 854S72-9 | DCS553 SERIAL NO. LABEL | | 1 | | | | |
| 013 | 265995-6 | SKRUTKA SAMOREZNÁ 4x18 | | 2 | | | | |
| 014 | 183K13-3 | HANDLE SET | | 1 | | | | |
| C10 | 263005-3 | KOLÍK GUMA 6 2414 | | 2 | | | | |
| D10 | | INC. 2 | | | | | | |
| 015 | 911253-5 | SKRUTKA M5x30 911253-5 | | 3 | | | | |
| 016 | 458656-7 | MOTOR HOUSING | | 1 | | | | |
| 017 | 144251-6 | INDICATION PLATE COMPLETE | | 1 | | | | |
| 018 | 458657-5 | MOTOR HOUSING COVER | | 1 | | | | |
| 019 | 265995-6 | SKRUTKA SAMOREZNÁ 4x18 | | 1 | | | | |
| 020 | 620938-9 | CONTROLLER | | 1 | | | | |
| 021 | 629368-1 | STATOR | | 1 | | | | |
| 022 | 458658-3 | BAFFLE PLATE | | 1 | | | | |
| 023 | 265995-6 | SKRUTKA SAMOREZNÁ 4x18 | | 2 | | | | |
| 024 | 519530-5 | ROTOR ASSY | | 1 | | | | |
| D10 | | INC. 25,26 | | | | | | |
| 025 | 210022-4 | LOŽISKO GULIČKOVÉ 626DDW 9910 | | 1 | | | | |
| 026 | 210069-8 | Nd | | 1 | | | | |
| 027 | 286039-9 | CAP | | 1 | | | | |
| 028 | 346885-3 | SHAFT LOCK | | 1 | | | | |
| 029 | 233117-6 | PRUŽINA PRÍTLAČNÁ 6 GA7010C/9010C/S | | 1 | | | | |
| 030 | 265995-6 | SKRUTKA SAMOREZNÁ 4x18 | | 2 | | | | |
| 031 | 140D79-4 | GEAR HOUSING COMPLETE | | 1 | | | | |
| C10 | 213961-7 | O-KRÚŽOK 22 AC3600 | | 1 | | | | |
| 032 | 424715-9 | GASKET | | 1 | | | | |
| 033 | 458661-4 | BLADE CASE | | 1 | | | | |
| 034 | 266737-1 | FLAT HEAD SQ. NECK BOLT M6X20 | | 1 | | | | |
| 035 | 262511-5 | KRÚŽOK GUMENNÝ 6 | | 1 | | | | |
| 036 | 265115-2 | + PAN HEAD SCREW M5 | | 1 | | | | |
| 037 | 210065-6 | BALL BEARING 625ZZ | | 1 | | | | |
| 038 | 227809-7 | HERICAL GEAR 30 | | 1 | | | | |
| 039 | 227807-1 | HERICAL GEAR 17 | | 1 | | | | |
| 040 | 210033-9 | LOŽISKO GULIČKOVÉ 696ZZ 2107FK/9554 | | 1 | | | | |
| 041 | 961005-4 | POISTNY KRUZOK S-9 | | 1 | | | | |
| 042 | 227808-9 | HERICAL GEAR 24 | | 1 | | | | |

