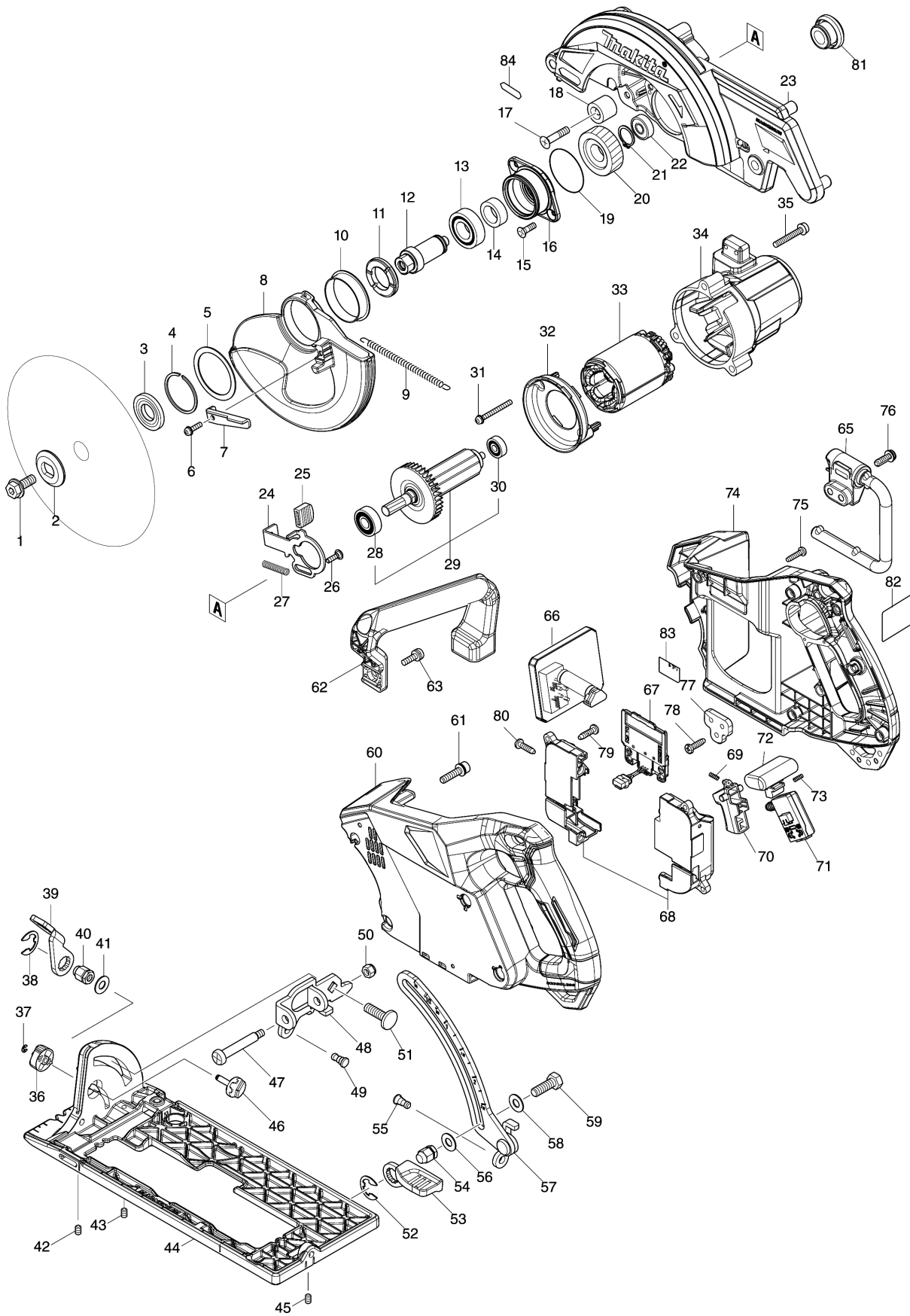


Model No.RS001G 185MM CORDLESS REAR HANDLE SAW



Model No.RS001G 185MM CORDLESS REAR HANDLE SAW

| Položka | Objednávacie číslo | Popis | Zmena | ks | New/Old | Možnosť 1 | Možnosť 2 | Poznámka |
|---------|--------------------|--------------------------------|-------|----|---------|-----------|-----------|----------|
| 001 | 266400-6 | HEX. SOCKET HEX. BOLT M8X20 | | 1 | | | | |
| 002 | 224409-4 | OUTER FLANGE 35 | | 1 | | | | |
| 003 | 224593-5 | INNER FLANGE 35 | | 1 | | | | |
| 004 | 257423-5 | RETAINING RING(EXT) WR-42 | | 1 | | | | |
| 005 | 253393-6 | FLAT WASHER 42 | | 1 | | | | |
| 006 | 911128-8 | P.H.SCREW M4X16 WITH WR | | 1 | | | | |
| 007 | 271435-4 | LEVER 48 | | 1 | | | | |
| 008 | 312A89-5 | SAFETY COVER | | 1 | | | | |
| 009 | 232371-9 | TENSION SPRING 5 | | 1 | | | | |
| 010 | 457434-2 | SPACER | | 1 | | | | |
| 011 | 285809-3 | BEARING RETAINER 23-36 | | 1 | | | | |
| 012 | 326941-5 | SPINDLE | | 1 | | | | |
| 013 | 211251-2 | BALL BEARING 6003LLB | | 1 | | | | |
| 014 | 257024-9 | RING 17 | | 1 | | | | |
| 015 | 265034-2 | + COUNTERSUNK HEAD SCREW M5X16 | | 2 | | | | |
| 016 | 319544-2 | BEARING BOX | | 1 | | | | |
| 017 | 251572-0 | + COUNTERSUNK HEAD SCREW M6X30 | | 1 | | | | |
| 018 | 262185-2 | RUBBER SLEEVE8 | | 1 | | | | |
| 019 | 213565-5 | O RING 42 | | 1 | | | | |
| 020 | 221542-3 | HELICAL GEAR 37 | | 1 | | | | |
| 021 | 961057-5 | RETAINING RING S-17 | | 1 | | | | |
| 022 | 210029-0 | BALL BEARING 608ZZ | | 1 | | | | |
| 023 | 141A11-3 | BLADE CASE COMPLETE | | 1 | | | | |
| C10 | 213434-0 | O RING 26 | | 1 | | | | |
| 024 | 347168-4 | SHAFT LOCK | | 1 | | | | |
| 025 | 286039-9 | CAP | | 1 | | | | |
| 026 | 251529-1 | + PAN HEAD SCREW M4X14 | | 1 | | | | |
| 027 | 232381-6 | COMPRESSION SPRING 6 | | 1 | | | | |
| 028 | 210059-1 | BALL BEARING 6000DDW | | 1 | | | | |
| 029 | 519435-9 | ROTOR ASS'Y | | 1 | | | | |
| D10 | | INC. 28,30 | | | | | | |
| 030 | 210022-4 | BALL BEARING 626DDW | | 1 | | | | |
| 031 | 911566-4 | P.H.SCREW M4X40 WITH WRM | | 2 | | | | |
| 032 | 457430-0 | BAFFLE PLATE | | 1 | | | | |
| 033 | 629A45-1 | STATOR | | 1 | | | | |
| 034 | 141A12-1 | MOTOR HOUSING COMPLETE | | 1 | | | | |
| C10 | 263002-9 | RUBBER PIN 4 | | 1 | | | | |
| 035 | 911258-5 | PAN HEAD SCREW M5X35 | | 3 | | | | |
| 036 | 457963-5 | DIAL 22 | | 1 | | | | |
| 037 | 961017-7 | STOP RING E-3 | | 1 | | | | |
| 038 | 257953-6 | BOW STOP RING E-12 | | 1 | | | | |
| 039 | 271468-9 | LEVER 56 | | 1 | | | | |
| 040 | 252240-8 | HEX. CAP NUT M8-13 | | 1 | | | | |
| 041 | 941201-0 | FLAT WASHER 8 | | 1 | | | | |

Please order the parts with part number.

Print Date 20/4/2021

Model No.RS001G 185MM CORDLESS REAR HANDLE SAW

| Položka | Objednávacie číslo | Popis | Zmena | ks | New/Old | Možnosť 1 | Možnosť 2 | Poznámka |
|---------|--------------------|-------------------------------|-------|----|---------|-----------|-----------|----------|
| 042 | 266229-0 | H.S.SET SCREW(CUP POINT)M5X8 | | 1 | | | | |
| 043 | 266229-0 | H.S.SET SCREW(CUP POINT)M5X8 | | 1 | | | | |
| 044 | 312B21-5 | BASE | | 1 | | | | |
| 045 | 266229-0 | H.S.SET SCREW(CUP POINT)M5X8 | | 1 | | | | |
| 046 | 327760-2 | STOPPER PIN | | 1 | | | | |
| 047 | 251221-9 | + PAN HEAD SCREW M6 | | 1 | | | | |
| 048 | 347169-2 | ANGULAR GUIDE | | 1 | | | | |
| 049 | 256511-5 | SHOULDER PIN 6-7 | | 1 | | | | |
| 050 | 252014-7 | HEX. LOCK NUT M6-10 | | 1 | | | | |
| 051 | 251537-2 | FLATHEADSQUARE NECKBOLT M8X28 | | 1 | | | | |
| 052 | 257953-6 | BOW STOP RING E-12 | | 1 | | | | |
| 053 | 271433-8 | LEVER 59 | | 1 | | | | |
| 054 | 252240-8 | HEX. CAP NUT M8-13 | | 1 | | | | |
| 055 | 256511-5 | SHOULDER PIN 6-7 | | 1 | | | | |
| 056 | 941201-0 | FLAT WASHER 8 | | 1 | | | | |
| 057 | 162566-9 | DEPTH GUIDE | | 1 | | | | |
| 058 | 941201-0 | FLAT WASHER 8 | | 1 | | | | |
| 059 | 251538-0 | HEX. BOLT M8X24 | | 1 | | | | |
| 060 | 183S55-5 | HANDLE SET | | 1 | | | | |
| C10 | 263005-3 | RUBBER PIN 6 | | 1 | | | | |
| D10 | | INC. 74 | | | | | | |
| 061 | 922343-9 | H.S.H.BOLT M6X25 WITH WR | | 4 | | | | |
| 062 | 413348-5 | GRIP | | 1 | | | | |
| 063 | 911228-4 | PAN HEAD SCREW M5X18 | | 3 | | | | |
| 065 | 127771-5 | HOOK ASSEMBLY | | 1 | | | | |
| 066 | 620F00-6 | CONTROLLER | | 1 | | | | |
| 067 | 632P65-6 | TERMINAL UNIT | | 1 | | | | |
| 068 | 183S18-1 | TERMINAL BOX SET | | 1 | | | | |
| C10 | 263005-3 | RUBBER PIN 6 | | 2 | | | | |
| 069 | 231433-0 | COMPRESSION SPRING 4 | | 1 | | | | |
| 070 | 457432-6 | SWITCH LEVER | | 1 | | | | |
| 071 | 651083-9 | SWITCH C3XA-1PSPM | | 1 | | | | |
| 072 | 457431-8 | LOCK OFF BUTTON | | 1 | | | | |
| 073 | 231433-0 | COMPRESSION SPRING 4 | | 1 | | | | |
| 074 | 183S55-5 | HANDLE SET | | 1 | | | | |
| C10 | 263005-3 | RUBBER PIN 6 | | 1 | | | | |
| D10 | | INC. 60 | | | | | | |
| 075 | 266326-2 | TAPPING SCREW 4X18 | | 9 | | | | |
| 076 | 911228-4 | PAN HEAD SCREW M5X18 | | 2 | | | | |
| 077 | 347805-0 | LOCK PLATE | | 1 | | | | |
| 078 | 266326-2 | TAPPING SCREW 4X18 | | 1 | | | | |
| 079 | 266326-2 | TAPPING SCREW 4X18 | | 4 | | | | |
| 080 | 266326-2 | TAPPING SCREW 4X18 | | 2 | | | | |

Please order the parts with part number.

Print Date 20/4/2021

Model No.RS001G 185MM CORDLESS REAR HANDLE SAW

| Položka | Objednávacie číslo | Popis | Zmena | ks | New/Old | Možnosť 1 | Možnosť 2 | Poznámka |
|---------|--------------------|------------------------------|-------|----|---------|-----------|-----------|----------|
| 081 | 286042-0 | CAP 31 | | 1 | | | | |
| 082 | 811C92-0 | RS001G NAME PLATE | | 1 | | | | |
| 083 | 811C99-6 | RS001G SERIAL NO. LABEL | | 1 | | | | |
| 084 | 8005T5-8 | XGT LOGO LABEL | | 1 | | | | |
| A01 | E-08676 | EFFICUT FOR WOOD CUTTING/ EN | | 1 | | | | |
| A02 | 782016-4 | OFFSET WRENCH 13 | | 1 | | | | |
| A04B | ***DC40RA | DC40RA FAST CHARGER | | 1 | | | | |
| D10 | | COMPO-PARTS | | | | | | |
| A05B | 412393-7 | BATTERY COVER | | 1 | | | | |
| A06B | 191B26-6 | BATTERY BL4040 SET | | 1 | | | | |

Please order the parts with part number.

Print Date 20/4/2021