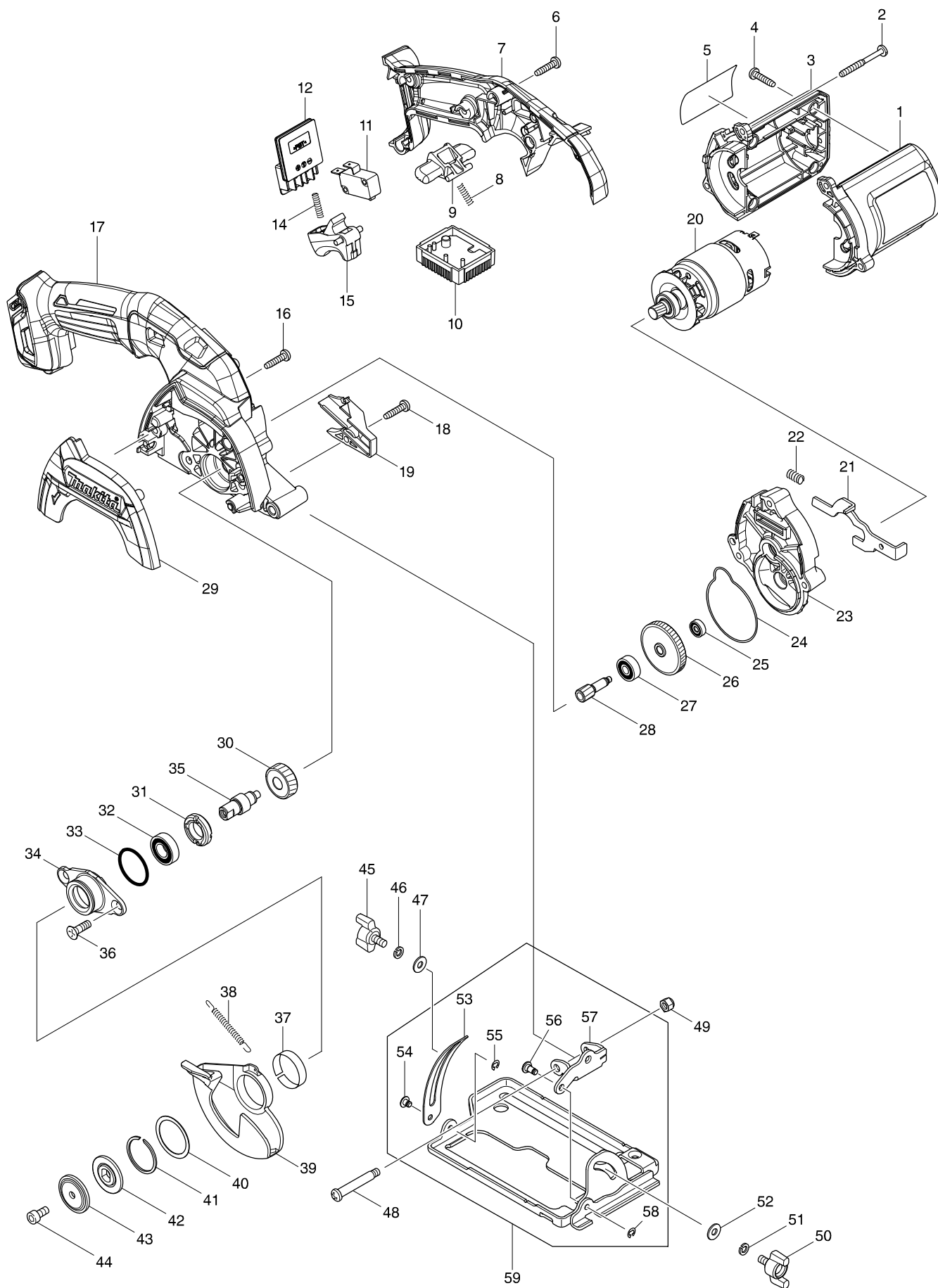


Model HS301D 85MM CORDLESS CIRCULAR SAW



Model HS301D 85MM CORDLESS CIRCULAR SAW

Strana 1 / 2

Položka	Objednávacie	Popis	I/C	ks	N/O	Možnosť 1	Možnosť 2	Poznámka
001	188941-1	MOTOR HOUSING SET		1				
D10		INC. 3						
002	266560-4	TAPPING SCREW 4X40		3				
003	188941-1	MOTOR HOUSING SET		1				
D10		INC. 1						
004	265995-6	SKRUTKA SAMOREZNÁ 4x18		4				
005	851M09-1	HS301D NAME PLATE		1	*			
005-1	851M08-3	HS301D NAME PLATE	<	1				
006	265995-6	SKRUTKA SAMOREZNÁ 4x18		6				
007	183C54-1	HANDLE SET		1				
C10	263002-9	KOLÍK GUMA 4		3				
C20	263005-3	KOLÍK GUMA 6 2414		1				
C30	931102-0	MATICA M4		1				
C40	931202-6	Skrutka M5		3				
D10		INC. 17						
008	231469-9	COMPRESSION SPRING 4		1				
009	419664-3	LOCK OFF LEVER		1				
010	632F49-4	CONTROLLER UNIT		1	*			
C10	688161-2	LINE FILTER		1	*			
C20	688165-4	LINE FILTER		1	*			
010-1	632L90-3	CONTROLLER UNIT	<	1				
C10	688161-2	LINE FILTER		1				
C20	688165-4	LINE FILTER		1				
011	650577-1	SWITCH SD-006-BB2AA-AA		1				
012	644813-5	TERMINAL		1				
014	231469-9	COMPRESSION SPRING 4		1				
015	419665-1	SWITCH LEVER		1				
016	265995-6	SKRUTKA SAMOREZNÁ 4x18		2				
017	183C54-1	HANDLE SET		1				
C10	263002-9	KOLÍK GUMA 4		3				
C20	263005-3	KOLÍK GUMA 6 2414		1				
C30	931102-0	MATICA M4		1				
C40	931202-6	Skrutka M5		3				
D10		INC. 7						
018	265995-6	SKRUTKA SAMOREZNÁ 4x18		1				
019	452234-5	DUCT		1				
020	629885-1	MOTOR HS300D		1				
021	346337-4	SHAFT LOCK		1				
022	233117-6	PRUŽINA PRÍTLAČNÁ 6 GA7010C/9010C/S		1				
023	140625-9	GEAR HOUSING COMPLETE		1				
C10	213325-5	O RING 19		1				
024	424358-7	PACKING		1				
025	210036-3	LOŽISKO GULIČKOVÉ		1				
026	227737-6	HELICAL GEAR 47		1				
027	210028-2	BALL BEARING 606ZZ		1				
028	227735-0	HELICAL GEAR 9B		1				
029	456252-5	BLADE COVER		1				
030	227736-8	HELICAL GEAR 28		1				

Položka	Objednávacie	Popis	I/C	ks	N/O	Možnosť 1	Možnosť 2	Poznámka
031	285847-5	O-KRÚŽOK 14-23		1				
032	210069-8	Nd		1				
033	213435-8	O-KRÚŽOK 26 HR3000C/HR3550C		1				
034	318660-7	BEARING BOX		1				
035	325983-6	SPINDLE		1				
036	265034-2	SKRUTKA M5x16		2				
037	345470-9	THICKNESS RING		1				
038	231867-7	TENSION SPRING 4		1				
039	452236-1	SAFETY COVER		1				
040	267127-1	PODLOŽKA 26 9046/HR2010		1				
041	257938-2	RETAINING RING(EXT) WR-26		1				
042	224435-3	INNER FLANGE 28		1				
043	224177-9	OUTER FLANGE 28		1				
044	922212-4	IMBUSOVA SKRUTKA M5x12		1				
045	265760-3	SKRUTKA M5x10 HS300D		1				
046	942101-7	PRUZNA PODLOZKA 5		1				
047	941101-4	PODLOZKA 5		1				
048	265056-2	+ PAN HEAD SCREW M5		1				
049	252103-8	MATICA M5-8 252103-8		1				
050	265760-3	SKRUTKA M5x10 HS300D		1				
051	942101-7	PRUZNA PODLOZKA 5		1				
052	941101-4	PODLOZKA 5		1				
053	346338-2	DEPTH GUIDE		1				
054	268004-0	PIN 4		1				
055	961017-7	BLOKOVACI KRUZOK E-3		1				
056	268028-6	PIN 5		1				
057	346339-0	ANGULAR GUIDE		1				
058	961017-7	BLOKOVACI KRUZOK E-3		1				
059	135416-1	BASE ASSEMBLY		1				
D10		INC. 53-58						
A01	783202-0	INBUS.KLUČ 4 783202-0		1				
A02	B-14607	T.C.T. SAW BLADE 85X15X20T		1				
A03	452237-9	DUST NOZZLE		1				
A04	911128-8	SKRUTKA M4x16		1				
A05B	456128-6	BATTERY COVER		1				
A06B	***DC10SA	DC10SA BATTERY CHARGER		1	*			
D10		COMPO-PARTS			*			
A06-1B	***DC10SB	DC10SB BATTERY CHARGER	<	1				
D10		COMPO-PARTS						
A07B	197402-0	BATTERY BL1040B SET		2	*			
A07-1B	197406-2	BATTERY BL1041B SET	<	2				
A08B	821663-7	PLASTIC CARRYING CASE		1				
C10	163455-1	KLIP NA KUFOR 2107FK		2				
A09B	807V26-3	HS301DSME PLASTIC CASE LABEL		2				