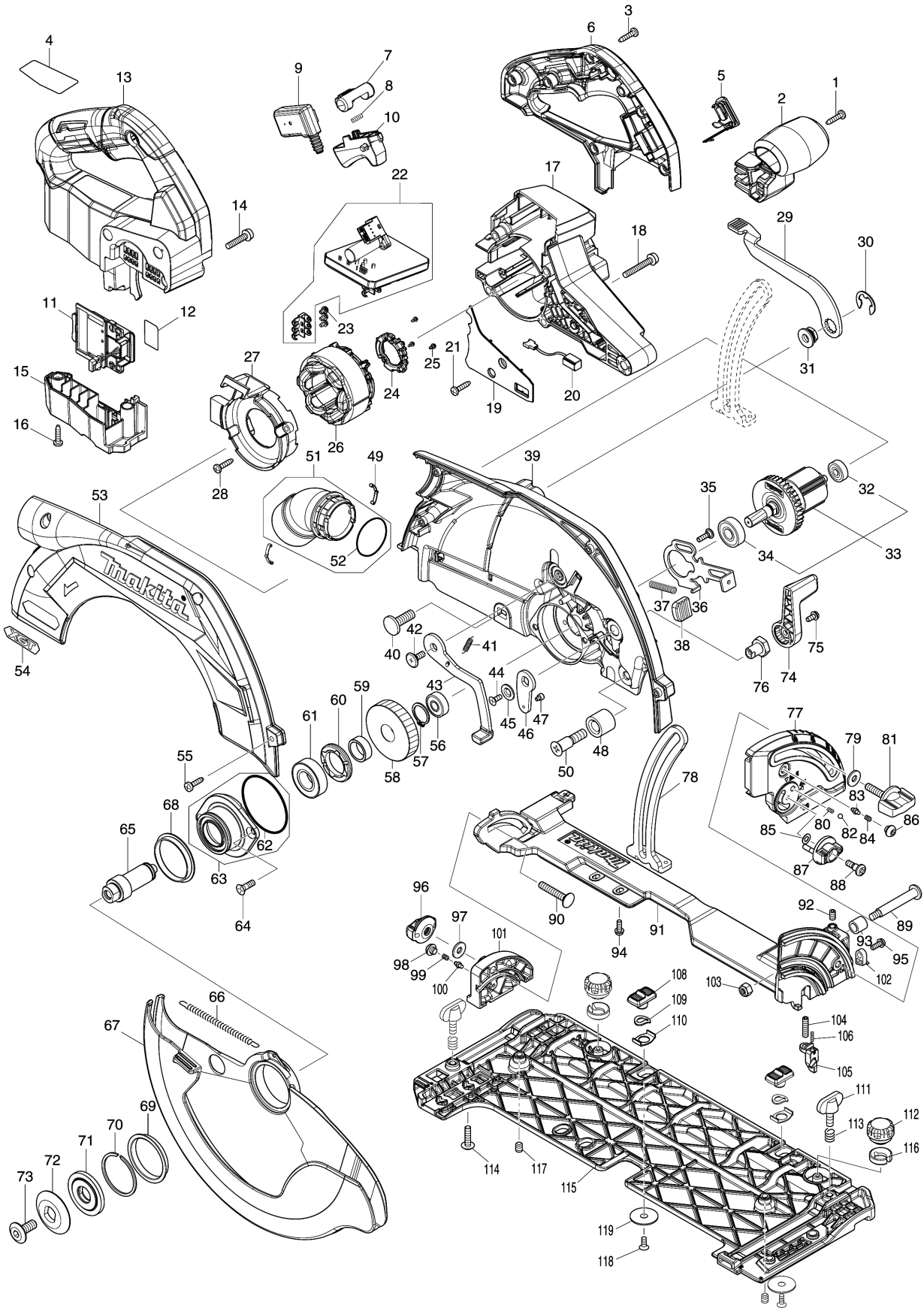


Model No.HS011G 260\_270MMCORDLESS CIRCULAR SAW



Model No.HS011G 260\_270MMCORDLESS CIRCULAR SAW

| Položka | Objednávacie číslo | Popis                     | Zmena | ks | New/Old | Možnosť 1 | Možnosť 2 | Poznámka |
|---------|--------------------|---------------------------|-------|----|---------|-----------|-----------|----------|
| 001     | 266326-2           | TAPPING SCREW 4X18        |       | 1  |         |           |           |          |
| 002     | 413C21-5           | FRONT GRIP                |       | 1  |         |           |           |          |
| 003     | 266326-2           | TAPPING SCREW 4X18        |       | 6  |         |           |           |          |
| 004     | 8115P7-1           | HS011G NAME PLATE         |       | 1  |         |           |           |          |
| 005     | 140F99-0           | CAP COMPLETE              |       | 1  |         |           |           |          |
| C10     | 213A05-9           | O-RING16                  |       | 1  |         |           |           |          |
| 006     | 183U47-6           | HANDLE SET                |       | 1  |         |           |           |          |
| C10     | 263005-3           | RUBBER PIN 6              |       | 1  |         |           |           |          |
| D10     |                    | INC. 13                   |       |    |         |           |           |          |
| 007     | 419704-7           | LOCK OFF BUTTON           |       | 1  |         |           |           |          |
| 008     | 231433-0           | COMPRESSION SPRING 4      |       | 1  |         |           |           |          |
| 009     | 650008-0           | SWITCH C3XB-1LPSPM        |       | 1  |         |           |           |          |
| 010     | 413C24-9           | SWITCH LEVER              |       | 1  |         |           |           |          |
| 011     | 632P65-6           | TERMINAL UNIT             |       | 1  |         |           |           |          |
| 012     | 8115R6-7           | HS011G SERIAL NO. LABEL   |       | 1  |         |           |           |          |
| 013     | 183U47-6           | HANDLE SET                |       | 1  |         |           |           |          |
| C10     | 263005-3           | RUBBER PIN 6              |       | 1  |         |           |           |          |
| D10     |                    | INC. 6                    |       |    |         |           |           |          |
| 014     | 911243-8           | PAN HEAD SCREW M5X25      |       | 3  |         |           |           |          |
| 015     | 141G16-9           | TERMINAL HOUSING COMPLETE |       | 1  |         |           |           |          |
| C10     | 263005-3           | RUBBER PIN 6              |       | 1  |         |           |           |          |
| 016     | 266326-2           | TAPPING SCREW 4X18        |       | 2  |         |           |           |          |
| 017     | 413C33-8           | MOTOR HOUSING             |       | 1  |         |           |           |          |
| 018     | 911258-5           | PAN HEAD SCREW M5X35      |       | 4  |         |           |           |          |
| 019     | 413C34-6           | LIGHT COVER               |       | 1  |         |           |           |          |
| 020     | 620936-3           | LED CIRCUIT               |       | 1  |         |           |           |          |
| 021     | 266326-2           | TAPPING SCREW 4X18        |       | 1  |         |           |           |          |
| 022     | 620J00-0           | CONTROLLER                |       | 1  |         |           |           |          |
| 023     | 652069-6           | FLAT HEAD SCREW M3X6      |       | 3  |         |           |           |          |
| 024     | 632R96-7           | SENSOR UNIT               |       | 1  |         |           |           |          |
| 025     | 652093-9           | PAN HEAD SCREW M2X5       |       | 3  |         |           |           |          |
| 026     | 629A40-1           | STATOR                    |       | 1  |         |           |           |          |
| 027     | 413C22-3           | BAFFLE PLATE              |       | 1  |         |           |           |          |
| 028     | 266326-2           | TAPPING SCREW 4X18        |       | 2  |         |           |           |          |
| 029     | 271453-2           | LEVER 132                 |       | 1  |         |           |           |          |
| 030     | 257953-6           | BOW STOP RING E-12        |       | 1  |         |           |           |          |
| 031     | 252262-8           | COLLERED HEX. NUT M8      |       | 1  |         |           |           |          |
| 032     | 210022-4           | BALL BEARING 626DDW       |       | 1  |         |           |           |          |
| 033     | 519730-7           | ROTOR ASS'Y               |       | 1  |         |           |           |          |
| D10     |                    | INC. 32,34                |       |    |         |           |           |          |
| 034     | 210059-1           | BALL BEARING 6000DDW      |       | 1  |         |           |           |          |
| 035     | 251529-1           | + PAN HEAD SCREW M4X14    |       | 1  |         |           |           |          |
| 036     | 347676-5           | SHAFT LOCK                |       | 1  |         |           |           |          |
| 037     | 233084-5           | COMPRESSION SPRING 6      |       | 1  |         |           |           |          |

Model No.HS011G 260\_270MMCORDLESS CIRCULAR SAW

| Položka | Objednávacie číslo | Popis                          | Zmena | ks | New/Old | Možnosť 1 | Možnosť 2 | Poznámka |
|---------|--------------------|--------------------------------|-------|----|---------|-----------|-----------|----------|
| 038     | 286039-9           | CAP                            |       | 1  |         |           |           |          |
| 039     | 141G26-6           | BLADE CASE COMPLETE            |       | 1  |         |           |           |          |
| C10     | 213434-0           | O RING 26                      |       | 1  |         |           |           |          |
| C20     | 263005-3           | RUBBER PIN 6                   |       | 1  |         |           |           |          |
| C30     | 8046A4-5           | SCALE LABEL                    |       | 1  |         |           |           |          |
| 040     | 266396-1           | FLATHEAD SQUARENECKBOLT M8X24  |       | 1  |         |           |           |          |
| 041     | 232563-0           | TENSION SPRING 4               |       | 1  |         |           |           |          |
| 042     | 265A60-7           | + PAN HEAD SCREW M5X14         |       | 1  |         |           |           |          |
| 043     | 162686-9           | OPEN LEVER                     |       | 1  |         |           |           |          |
| 044     | 265135-6           | + COUNTERSUNK HEAD SCREW M4X10 |       | 1  |         |           |           |          |
| 045     | 347577-7           | WASHER 6                       |       | 1  |         |           |           |          |
| 046     | 347576-9           | OPEN PLATE                     |       | 1  |         |           |           |          |
| 047     | 265A82-7           | HEX. SOCKET HEAD SCREW M3X4    |       | 1  |         |           |           |          |
| 048     | 262200-2           | RUBBER SLEEVE 10               |       | 1  |         |           |           |          |
| 049     | 232674-1           | LEAF SPRING                    |       | 2  |         |           |           |          |
| 050     | 265B77-6           | +COUNTERSUNK HEAD SCREW M8X35  |       | 1  |         |           |           |          |
| 051     | 136173-4           | DUST NOZZLE ASS'Y              |       | 1  |         |           |           |          |
| D10     |                    | INC. 52                        |       |    |         |           |           |          |
| 052     | 213444-7           | O RING 30                      |       | 1  |         |           |           |          |
| 053     | 312C21-1           | BLADE CASE COVER               |       | 1  |         |           |           |          |
| 054     | 8030S0-0           | XGT LOGO LABEL                 |       | 1  |         |           |           |          |
| 055     | 266034-5           | TAPPING SCREW CT 4X16          |       | 4  |         |           |           |          |
| 056     | 210029-0           | BALL BEARING 608ZZ             |       | 1  |         |           |           |          |
| 057     | 961057-5           | RETAINING RING S-17            |       | 1  |         |           |           |          |
| 058     | 227918-2           | HELICAL GEAR 49                |       | 1  |         |           |           |          |
| 059     | 257451-0           | RING 17                        |       | 1  |         |           |           |          |
| 060     | 285809-3           | BEARING RETAINER 23-36         |       | 1  |         |           |           |          |
| 061     | 210301-0           | BALL BEARING 6003DDW           |       | 1  |         |           |           |          |
| 062     | 213676-6           | O RING 53                      |       | 1  |         |           |           |          |
| 063     | 136649-1           | BEARING BOX ASS'Y              |       | 1  |         |           |           |          |
| D10     |                    | INC. 62                        |       |    |         |           |           |          |
| 064     | 265034-2           | + COUNTERSUNK HEAD SCREW M5X16 |       | 2  |         |           |           |          |
| 065     | 327923-0           | SPINDLE                        |       | 1  |         |           |           |          |
| 066     | 232726-8           | TENSION SPRING 7               |       | 1  |         |           |           |          |
| 067     | 312C22-9           | SAFETY COVER                   |       | 1  |         |           |           |          |
| 068     | 413C35-4           | SPACER                         |       | 1  |         |           |           |          |
| 069     | 413C35-4           | SPACER                         |       | 1  |         |           |           |          |
| 070     | 257452-8           | RETAINING RING (EXT) WR-40     |       | 1  |         |           |           |          |
| 071     | 224621-6           | INNER FLANGE 42                |       | 1  |         |           |           |          |
| 072     | 224619-3           | OUTER FLANGE 42                |       | 1  |         |           |           |          |
| 073     | 265A59-2           | HEX.SOCKET HEAD BOLT M8        |       | 1  |         |           |           |          |
| 074     | 271451-6           | LEVER 55                       |       | 1  |         |           |           |          |

Model No.HS011G 260\_270MMCORDLESS CIRCULAR SAW

| Položka | Objednávacie číslo | Popis                          | Zmena | ks | New/Old | Možnosť 1 | Možnosť 2 | Poznámka |
|---------|--------------------|--------------------------------|-------|----|---------|-----------|-----------|----------|
| 075     | 911113-1           | PAN HEAD SCREW M4X10 WITH WR   |       | 1  |         |           |           |          |
| 076     | 252275-9           | HEX. NUT M4-16                 |       | 1  |         |           |           |          |
| 077     | 312C17-2           | FRONT ANGULAR PLATE            |       | 1  |         |           |           |          |
| 078     | 347913-7           | DEPTH GUIDE                    |       | 1  |         |           |           |          |
| 079     | 253111-2           | FLAT WASHER 6                  |       | 1  |         |           |           |          |
| 080     | 233314-4           | COMPRESSION SPRING 4           |       | 1  |         |           |           |          |
| 081     | 265776-8           | THUMB SCREW M6X26              |       | 1  |         |           |           |          |
| 082     | 216008-6           | STEEL BALL 4                   |       | 1  |         |           |           |          |
| 083     | 263041-9           | SHOULDER PIN 3-5               |       | 1  |         |           |           |          |
| 084     | 231234-6           | COMPRESSION SPRING 3.5         |       | 1  |         |           |           |          |
| 085     | 253811-4           | FLAT WASHER 5                  |       | 1  |         |           |           |          |
| 086     | 266559-9           | H.S.BUTTON HEAD BOLT M6X4      |       | 1  |         |           |           |          |
| 087     | 450704-8           | DIAL 27                        |       | 1  |         |           |           |          |
| 088     | 251370-2           | + PAN HEAD SCREW M5            |       | 1  |         |           |           |          |
| 089     | 251528-3           | + PAN HEAD SCREW M6            |       | 1  |         |           |           |          |
| 090     | 266332-7           | R.H SQUARE NECK BOLT M6X35     |       | 1  |         |           |           |          |
| 091     | 141G25-8           | FRAME COMPLETE                 |       | 1  |         |           |           |          |
| 092     | 266229-0           | H.S.SET SCREW(CUP POINT)M5X8   |       | 1  |         |           |           |          |
| 093     | 257580-9           | SLEEVE 8                       |       | 1  |         |           |           |          |
| 094     | 265A84-3           | PAN HEAD SCREW M4X12 WITH WR   |       | 2  |         |           |           |          |
| 095     | 911118-1           | PAN HEAD SCREW M4X12           |       | 1  |         |           |           |          |
| 096     | 252270-9           | THUMB NUT M6                   |       | 1  |         |           |           |          |
| 097     | 253111-2           | FLAT WASHER 6                  |       | 1  |         |           |           |          |
| 098     | 266559-9           | H.S.BUTTON HEAD BOLT M6X4      |       | 1  |         |           |           |          |
| 099     | 231234-6           | COMPRESSION SPRING 3.5         |       | 1  |         |           |           |          |
| 100     | 263041-9           | SHOULDER PIN 3-5               |       | 1  |         |           |           |          |
| 101     | 312C18-0           | REAR ANGULAR PLATE             |       | 1  |         |           |           |          |
| 102     | 419632-6           | POSITION PLATE                 |       | 1  |         |           |           |          |
| 103     | 252014-7           | HEX. LOCK NUT M6-10            |       | 1  |         |           |           |          |
| 104     | 265A83-5           | H.S.SET SCREW(FLAT POINT)M5X20 |       | 1  |         |           |           |          |
| 105     | 412210-1           | SLIDER                         |       | 1  |         |           |           |          |
| 106     | 233025-1           | COMPRESSION SPRING 2           |       | 1  |         |           |           |          |
| 108     | 458092-7           | SLIDE LEVER                    |       | 2  |         |           |           |          |
| 109     | 253932-2           | WAVE WASHER 10                 |       | 2  |         |           |           |          |
| 110     | 345977-5           | PLATE                          |       | 2  |         |           |           |          |
| 111     | 265701-9           | THUMB SCREW M6X14              |       | 2  |         |           |           |          |
| 112     | 265775-0           | THUMB SCREW M4X3               |       | 2  |         |           |           |          |
| 113     | 233376-2           | COMPRESSION SPRING 8           |       | 2  |         |           |           |          |
| 114     | 265181-9           | +TRUSS HEAD SCREW M5X20        |       | 4  |         |           |           |          |
| 115     | 312C23-7           | BASE                           |       | 1  |         |           |           |          |
| 116     | 419627-9           | HOLDER                         |       | 2  |         |           |           |          |
| 117     | 266225-8           | H.S.SET SCREW(FLAT POINT)M6X8  |       | 2  |         |           |           |          |

Please order the parts with part number.

Print Date 7/7/2022

Model No.HS011G 260\_270MMCORDLESS CIRCULAR SAW

| Položka | Objednávacie číslo | Popis                        | Zmena | ks | New/Old | Možnosť 1 | Možnosť 2 | Poznámka |
|---------|--------------------|------------------------------|-------|----|---------|-----------|-----------|----------|
| 118     | 912112-6           | COUNTERSUNK HEAD SCREW M4X10 |       | 2  |         |           |           |          |
| 119     | 345748-0           | LOCK WASHER                  |       | 2  |         |           |           |          |
| A01     | 162A32-2           | SUB BASE                     |       | 1  |         |           |           |          |
| A02     | E-12930            | EFFICUT FOR WOOD CUTTING/ EN |       | 1  |         |           |           |          |
| A03     | 783204-6           | HEX. WRENCH 6                |       | 1  |         |           |           |          |
| A04B    | ***DC40RA          | DC40RA FAST CHARGER          |       | 1  |         |           |           |          |
| D10     |                    | COMPO-PARTS                  |       |    |         |           |           |          |
| A06B    | 412393-7           | BATTERY COVER                |       | 2  |         |           |           |          |
| A07B    | 191L47-8           | BATTERY BL4050F SET          |       | 2  |         |           |           |          |

Please order the parts with part number.

Print Date 7/7/2022