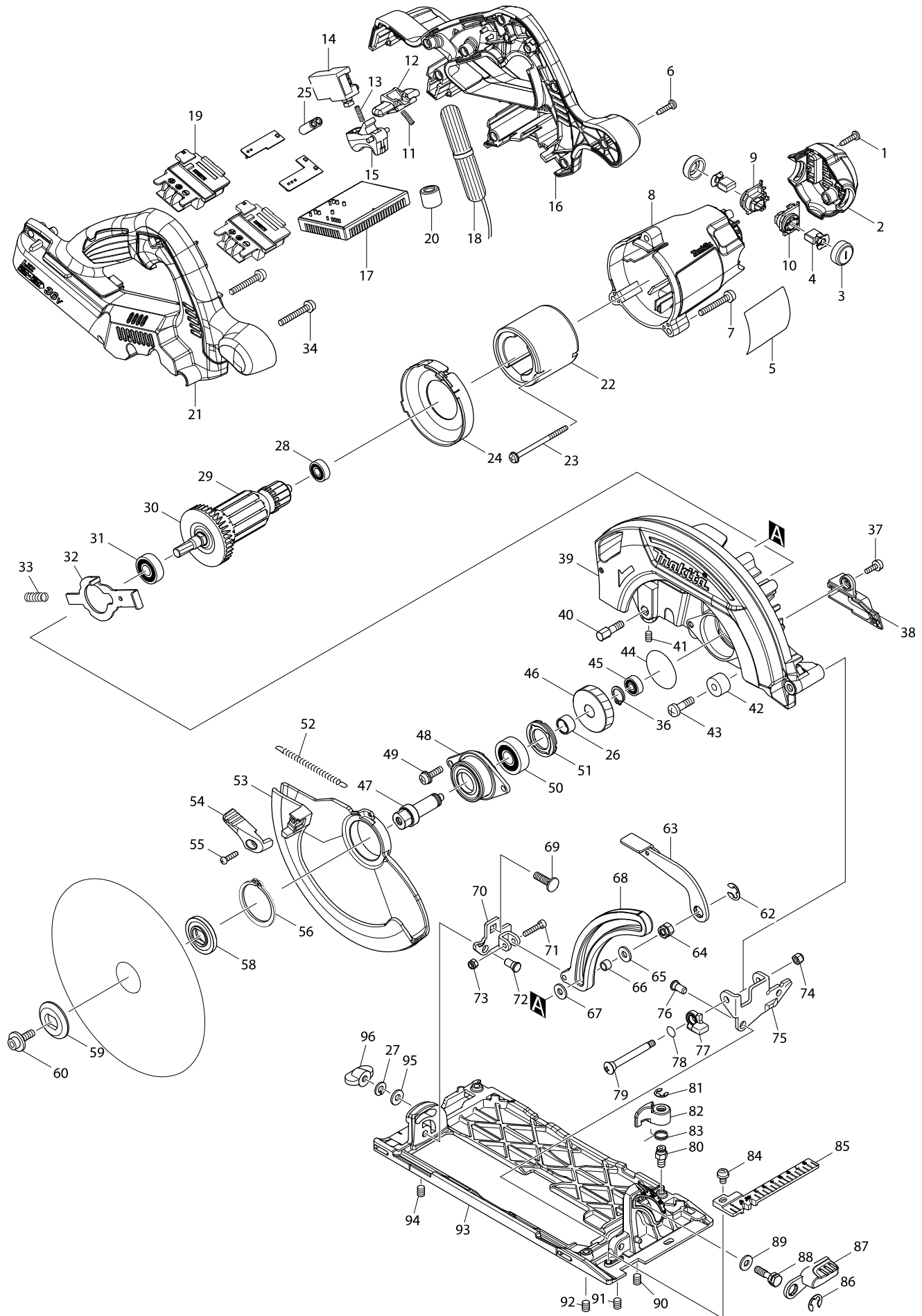


# Model DHS710 190MM CORDLESS CIRCULAR SAW



# Model DHS710 190MM CORDLESS CIRCULAR SAW

Strana 1 / 4

Položka	Objednávacie	Popis	I/C	ks	N/O	Možnosť 1	Možnosť 2	Poznámka
001	266326-2	SKRUTKA SAMOREZNÁ		2				
002	454697-1	REAR COVER		1				
003	643829-7	KRYTKA UHLÍKOV BHR202/241RFE		2				
004	194928-3	UHLÍKY CB-442 BHR261RDE		1				
005	814Y56-5	DHS710 NAME PLATE		1				
006	266326-2	SKRUTKA SAMOREZNÁ		9				
007	911258-5	SKRUTKA M5x35		3				
008	454693-9	MOTOR HOUSING		1				
009	644503-0	BRUSH HOLDER		1				
010	644504-8	BRUSH HOLDER		1				
011	231469-9	COMPRESSION SPRING 4		1				
012	419664-3	LOCK OFF LEVER		1				
013	231469-9	COMPRESSION SPRING 4		1				
014	650730-9	SWITCH TG72BD-6		1				
015	419665-1	SWITCH LEVER		1				
016	187768-6	HANDLE SET		1				
C10	263005-3	KOLÍK GUMA 6 2414		4				
C20	802G93-3	INDICATION LABEL		1				
D10		INC. 21						
017A	620254-9	CONTROLLER		1	*			
017-1A	620305-8	CONTROLLER	<	1	*			
017-1B	620305-8	CONTROLLER		1	*			
017-1C	620305-8	CONTROLLER		1	*			
017-1D	620305-8	CONTROLLER		1	*			
017-1E	620305-8	CONTROLLER		1	*			
017-2	620827-8	CONTROLLER	<	1				
018	632B66-0	LEAD UNIT		1				
019	643899-6	TERMINAL		2				
020	688163-8	LINE FILTER		1				
021	187768-6	HANDLE SET		1				
C10	263005-3	KOLÍK GUMA 6 2414		4				
C20	802G93-3	INDICATION LABEL		1				
D10		INC. 16						
022A	638571-3	YOKE UNIT		1	*			
022B	638571-3	YOKE UNIT		1	*			
022-1A	632H52-7	YOKE UNIT	O	1				
022-1B	632H52-7	YOKE UNIT	O	1				
022-1C	632H52-7	YOKE UNIT		1				
022-1D	632H52-7	YOKE UNIT		1				
022-1E	632H52-7	YOKE UNIT		1				
023	266292-3	TAPPING SCREW 4X65		2				
024	454696-3	BAFFLE PLATE		1				
025	688172-7	LINE FILTER		1				
026	257349-1	SLEEVE 12		1				
027	942151-2	PRUZNA PODLOZKA 6		1				
028	210017-7	LOŽISKO GULIČKOVÉ 607DDW BO5010		1				
029	519332-9	ARMATURE ASS'Y 36V		1				
D10		INC. 28,30,31						

# Model DHS710 190MM CORDLESS CIRCULAR SAW

Strana 2 / 4

Položka	Objednávacie	Popis	I/C	ks	N/O	Možnosť 1	Možnosť 2	Poznámka
030	240045-8	FAN 55		1				
031	210059-1	LOŽISKO GULIČKOVÉ 6000DDW		1				
032	344681-3	SHAFT LOCK		1				
033	233117-6	PRUŽINA PRÍTLAČNÁ 6 GA7010C/900C/S		1				
034	911258-5	SKRUTKA M5x35		2				
036	961052-5	POISTNÝ KRÚŽOK S-12		1				
037	911223-4	SKRUTKA M5x16		1				
038	453285-1	DUCT		1				
039	142365-5	BLADE CASE COMPLETE		1				
C10	213434-0	O-KRÚŽOK 26 5621RDWA		1				
040	265594-4	HEX.BOLT M6X18		1				
041	266229-0	H.S.SET SCREW(CUP POINT)M5X8		1				
042	262552-1	RUBBER SLEEVE 6		1				
043	251247-1	+ PAN HEAD SCREW M6X20		1				
044	213512-6	O RING 39		1				
045	210028-2	BALL BEARING 606ZZ		1				
046	227786-3	HELICAL GEAR 49		1				
047	326357-4	SPINDLE		1				
048	319088-2	BEARING BOX		1				
049	911233-1	SKRUTKA M5x20		2				
050	211129-9	LOŽISKO GULIČKOVÉ 6201DDW		1				
051	285852-2	BEARING RETAINER 19-33		1				
052	231877-4	TENSION SPRING 4		1				
053	319072-7	SAFETY COVER		1				
054	272258-3	LEVER 37		1				
055	265178-8	PAN HEAD SCREW M4X16		1				
056	961155-5	RETAINING RING S-38		1				
058A	224412-5	INNER FLANGE 35		1	*			
058B	224412-5	INNER FLANGE 35		1	*			
058-1A	224473-5	INNER FLANGE 35	<	1	*			
058-1B	224473-5	INNER FLANGE 35	<	1	*			
058-1C	224473-5	INNER FLANGE 35		1	*			
058-1D	224473-5	INNER FLANGE 35		1	*			
058-1E	224473-5	INNER FLANGE 35		1	*			
058-2	224593-5	INNER FLANGE 35	<	1				
059	224409-4	OUTER FLANGE 35		1				
060A	266308-4	HEX. SOCKET HEAD BOLT M6X20		1	*			
060B	266308-4	HEX. SOCKET HEAD BOLT M6X20		1	*			
060-1A	266925-0	HEX.SOCKET HEX.BOLT M6X18	O	1				
060-1B	266925-0	HEX.SOCKET HEX.BOLT M6X18	O	1				
060-1C	266925-0	HEX.SOCKET HEX.BOLT M6X18		1				
060-1D	266925-0	HEX.SOCKET HEX.BOLT M6X18		1				
060-1E	266925-0	HEX.SOCKET HEX.BOLT M6X18		1				
062	257982-9	BOW STOP RING E-8		1				
063	272279-5	LEVER PLATE		1				
064	264096-7	HEX. NUT M6		1				
065	267100-1	U-PODLOŽKA 6 6211DW		1				
066	257669-3	SLEEVE 6		1				

# Model DHS710 190MM CORDLESS CIRCULAR SAW

Strana 3 / 4

Položka	Objednávacie	Popis	I/C	ks	N/O	Možnosť 1	Možnosť 2	Poznámka
067	267100-1	U-PODLOŽKA 6 6211DW		1				
068	141312-3	DEPTH GUIDE COMPLETE		1				
069	251919-8	SKRUTKA 6X20		1				
070	165670-3	REAR ANGULAR GUIDE		1				
071	922137-2	HEX. SOCKET HEAD BOLT M4X20		1				
072	256480-0	SHOULDER PIN 6-7		1				
073	252126-6	HEX. LOCKING NUT M4-7		1				
074	252103-8	MATICA M5-8 252103-8		1				
075	345590-9	ANGULAR GUIDE		1				
076	256480-0	SHOULDER PIN 6-7		1				
077	318823-5	STOPPER		1				
078A	213062-1	O-KRÚŽOK 9 AN7000/BSR730SH		1	*			
078B	213062-1	O-KRÚŽOK 9 AN7000/BSR730SH		1	*			
078-1A	213977-2	O-KRÚŽOK 7 NA GA5020/6020	<	1				
078-1B	213977-2	O-KRÚŽOK 7 NA GA5020/6020	<	1				
078-1C	213977-2	O-KRÚŽOK 7 NA GA5020/6020		1				
078-1D	213977-2	O-KRÚŽOK 7 NA GA5020/6020		1				
078-1E	213977-2	O-KRÚŽOK 7 NA GA5020/6020		1				
079	266734-7	+ TRUSS HEAD SCREW M5		1				
080	265571-6	HEX. BOLT M6X10		2				
081	961012-7	BLOKOVACI KRUZOK E-6		2				
082	453165-1	LOCK LEVER		2				
083	233596-8	TORSION SPRING 11		2				
084	911203-0	SKRUTKA M5x8		1				
085	453286-9	TOP GUIDE		1				
086	257982-9	BOW STOP RING E-8		1				
087	272272-9	LEVER 45		1				
088	266735-5	HEX.BOLT M6X20		1				
089	941151-9	PODLOZKA 6		1				
090	266208-8	H.S.SET SCREW(CUP POINT)M6X8		1				
091	266208-8	H.S.SET SCREW(CUP POINT)M6X8		1				
092	266208-8	H.S.SET SCREW(CUP POINT)M6X8		1				
093	318819-6	DOSKA ZÁKLADNÁ HS7101		1				
094	266208-8	H.S.SET SCREW(CUP POINT)M6X8		1				
095	941151-9	PODLOZKA 6		1				
096	252631-3	THUMB NUT M6		1				
A01	164095-8	PARALELNÝ DORAZ 5604R		1				
A02	783217-7	HEX. WRENCH 5		1				
A03	B-02939	KOTÚČ PILOVÝ 190x30		1				
A04	196520-1	DUST NOZZLE SET		1				
C10	911128-8	SKRUTKA M4x16		1				
A05B	821552-6	KUFOR 4 PVC MAKPAC 395x295x315mm		1	*			
C10	453974-8	LATCH		4	*			
A05-1B	143074-9	CONNECTOR PLASTIC CASE (TYPE4)	<	1				
C10	453974-8	LATCH		4				
A05-1C	143074-9	CONNECTOR PLASTIC CASE (TYPE4)		1				
C10	453974-8	LATCH		4				
A05-1D	143074-9	CONNECTOR PLASTIC CASE (TYPE4)		1				

# Model DHS710 190MM CORDLESS CIRCULAR SAW

Položka	Objednávacie	Popis	I/C	ks	N/O	Možnosť 1	Možnosť 2	Poznámka
C10	453974-8	LATCH		4				
A05-1E	143074-9	CONNECTOR PLASTIC CASE (TYPE4)		1				
C10	453974-8	LATCH		4				
A06B	837861-3	INNER TRAY		1				
A06C	837861-3	INNER TRAY		1				
A06D	837861-3	INNER TRAY		1				
A06E	837861-3	INNER TRAY		1				
A07B	802H98-9	DHS710RF2J INDICATION LABEL		1				
A07C	810Y51-3	DHS710RG2J INDICATION LABEL		1				
A07D	812F19-1	DHS710PF2J INDICATION LABEL		1				
A07E	808W17-3	DHS710PT2J INDICATION LABEL		1				
A08B	802H99-7	DHS710RF2J PLASTIC CASE LABEL		2				
A08C	810Y52-1	DHS710RG2J PLASTIC CASE LABEL		2				
A08D	812F20-6	DHS710PF2J PLASTIC CASE LABEL		2				
A08E	813C29-3	DHS710PT2J PLASTIC CASE LABEL		2	*			
A08-1E	808W18-1	DHS710PT2J PLASTIC CASE LABEL	<	2				
A09B	***DC18RC	DC18RC FAST CHARGER		1				
A09C	***DC18RC	DC18RC FAST CHARGER		1				
A09D	***DC18RD	DC18RD TWO PORT FAST CHARGER		1				
A09E	***DC18RD	DC18RD TWO PORT FAST CHARGER		1				
A10B	194204-5	AKUMULÁTOR Li-ion BL1830 18V 3,0Ah		2	*			
A10-1B	194204-5	AKUMULÁTOR Li-ion BL1830 18V 3,0Ah	O	2	*			
A10-1C	197422-4	BATTERY BL1860B SET		2				
A10-2B	197600-6	BATTERY BL1830B SET	<	2				
A10-2D	197600-6	BATTERY BL1830B SET		2				
A10-2E	197280-8	BATTERY BL1850B SET		2				
A11D	821551-8	KUFOR PVC 3 395x295x210mm		1				
C10	453974-8	LATCH		4				
A11E	821551-8	KUFOR PVC 3 395x295x210mm		1				
C10	453974-8	LATCH		4				
A12D	838258-9	INNER TRAY		1	*			
A12-1D	839205-3	INNER TRAY	<	1				
A12-1E	839205-3	INNER TRAY		1				