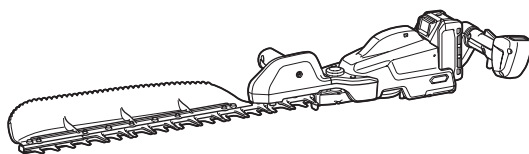




EN	Cordless Hedge Trimmer	INSTRUCTION MANUAL	8
PL	Akumulatorowe nożyce do żywopłotu	INSTRUKCJA OBSŁUGI	18
HU	Akkumulátoros sövénynyíró	HASZNÁLATI KÉZIKÖNYV	29
SK	Akumulátorové nožnice na živé ploty	NÁVOD NA OBSLUHU	40
CS	Akumulátorový zastříhovač	NÁVOD K OBSLUZE	51
UK	Акумуляторна пила для підрізання живоплоту	ІНСТРУКЦІЯ З ЕКСПЛУАТАЦІЇ	61
RO	Mașină de tuns gardul viu fără cablu	MANUAL DE INSTRUCȚIUNI	73
DE	Akku-Heckenschere	BETRIEBSANLEITUNG	84

UH013G
UH014G



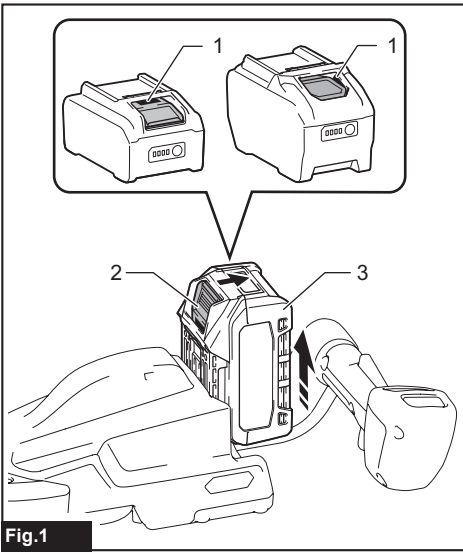


Fig.1

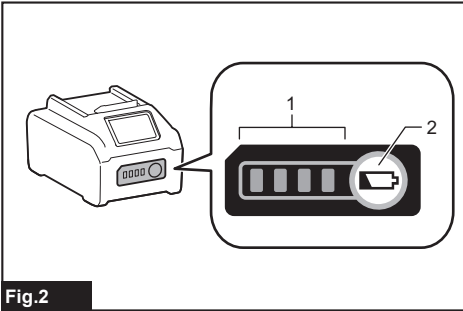


Fig.2

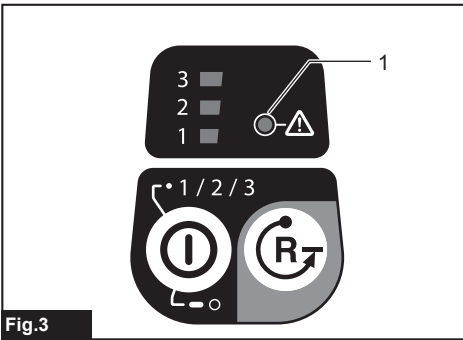


Fig.3

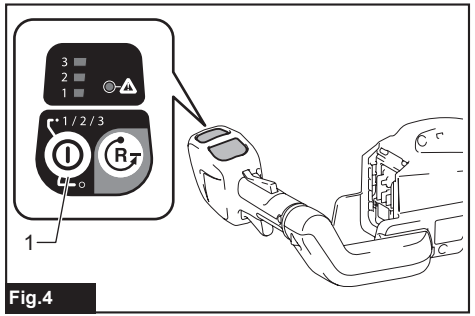


Fig.4

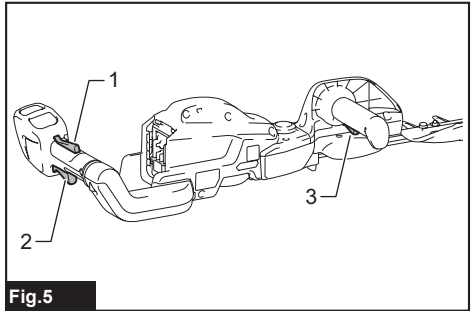


Fig.5

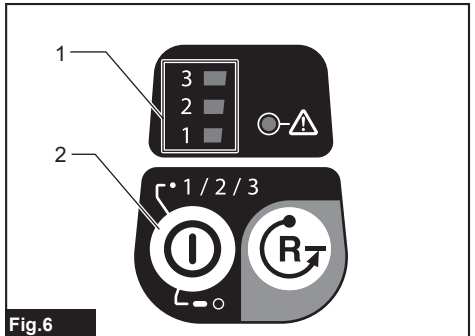


Fig.6

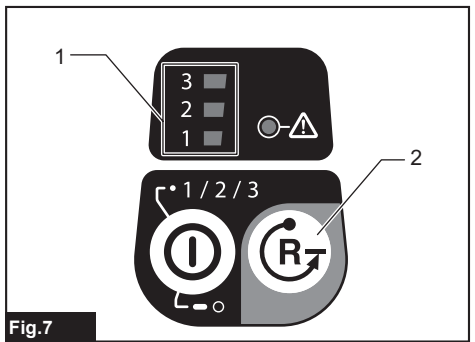
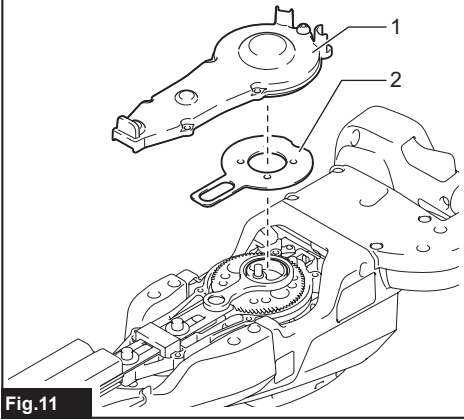
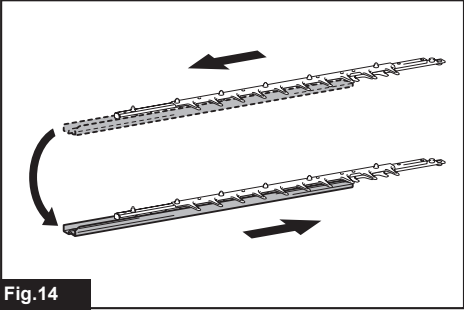
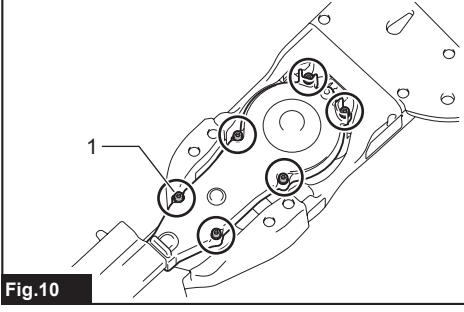
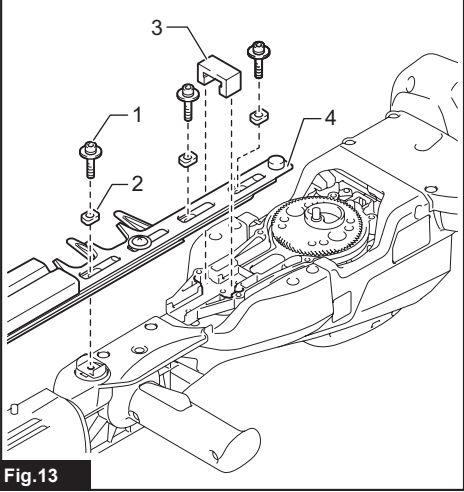
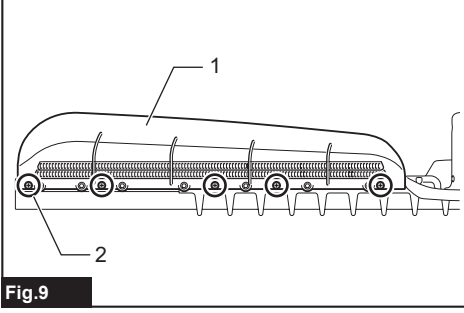
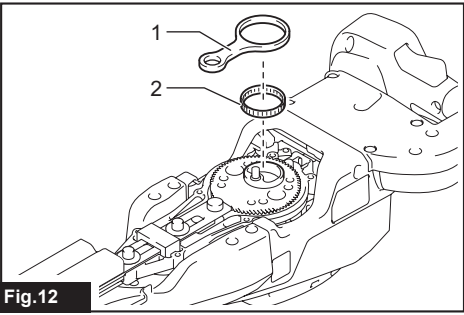
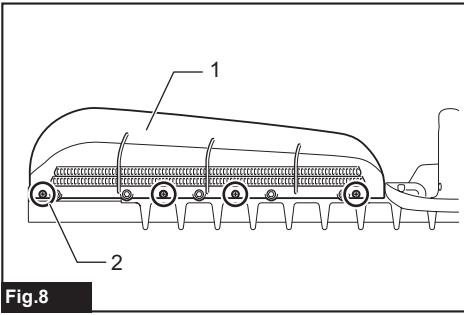


Fig.7



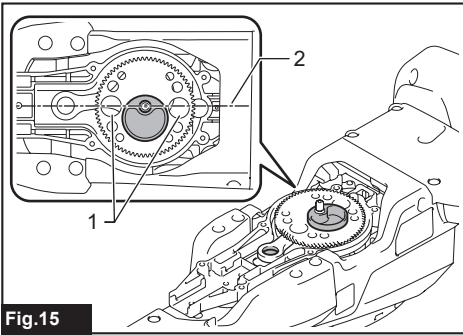


Fig.15

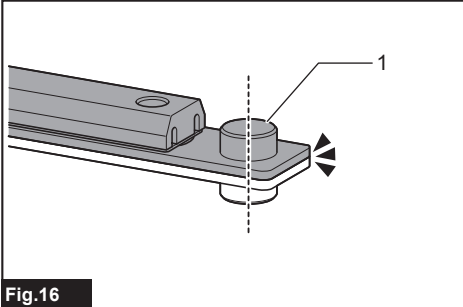


Fig.16

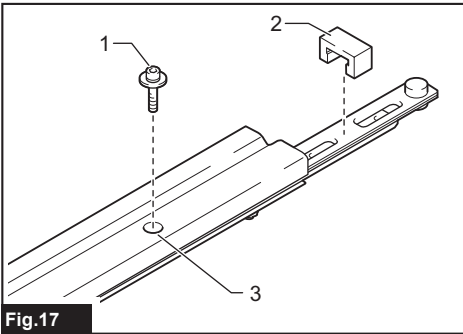


Fig.17

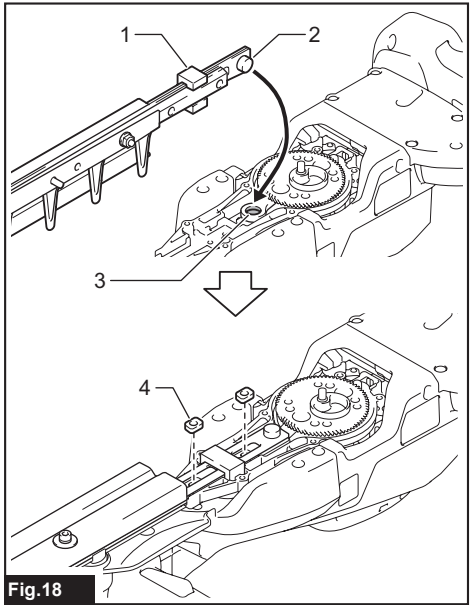


Fig.18

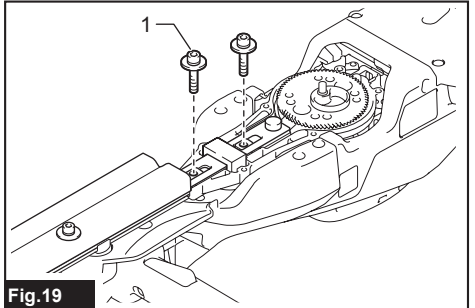


Fig.19

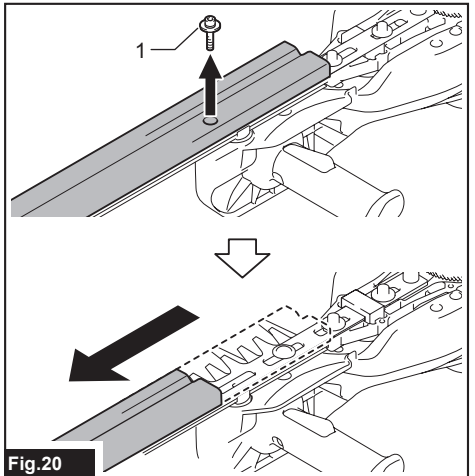
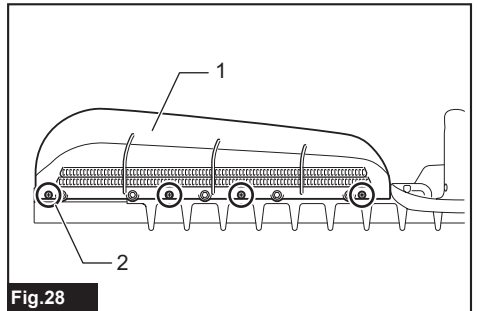
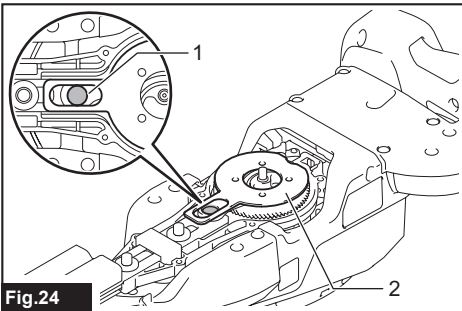
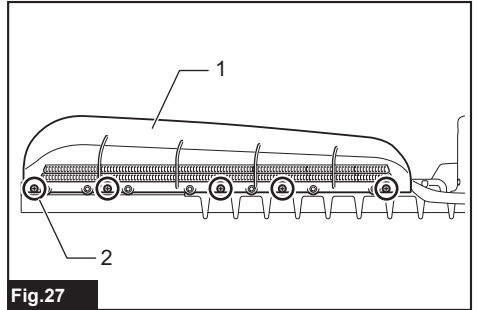
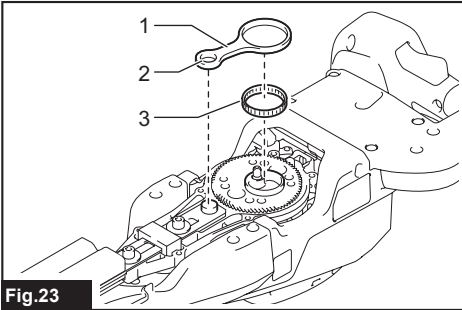
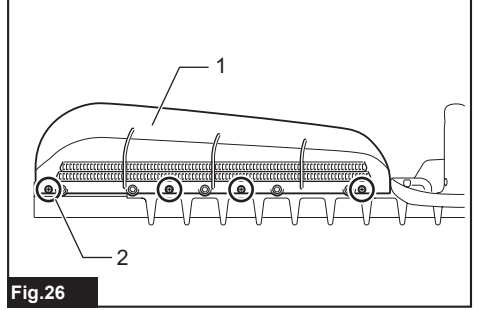
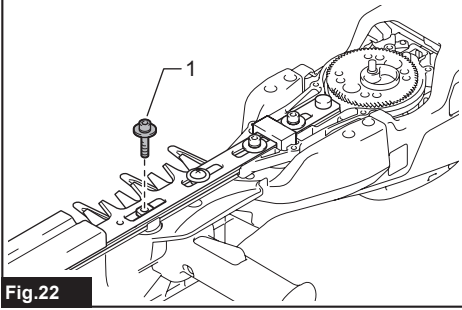
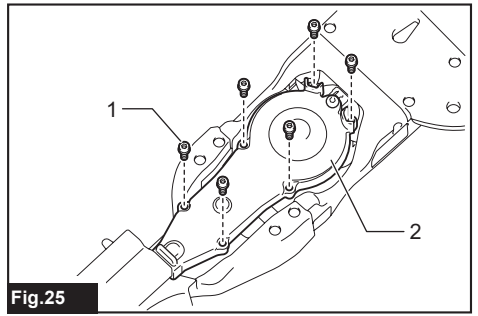
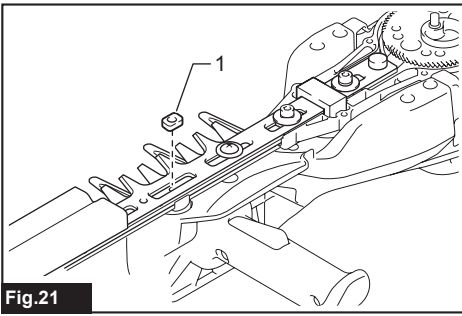


Fig.20



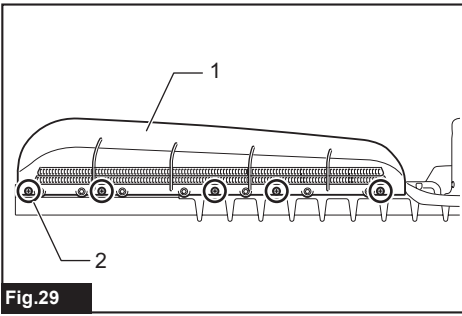


Fig.29

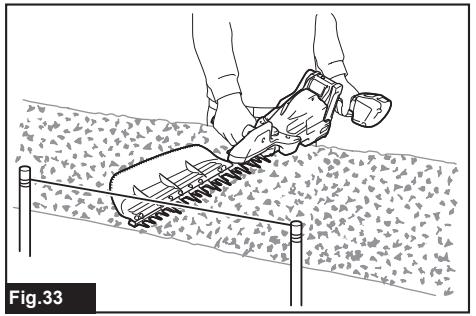


Fig.33

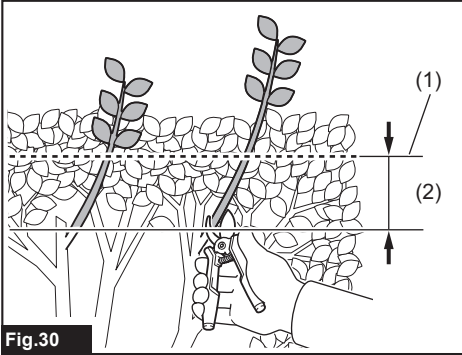


Fig.30



Fig.34

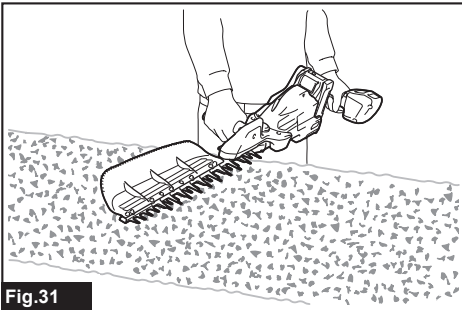


Fig.31

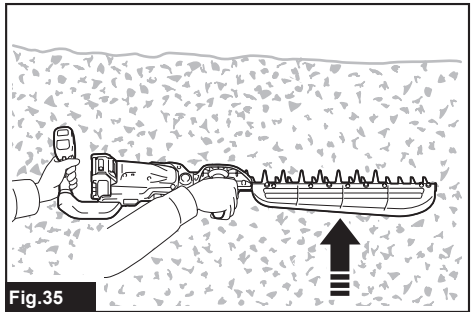


Fig.35

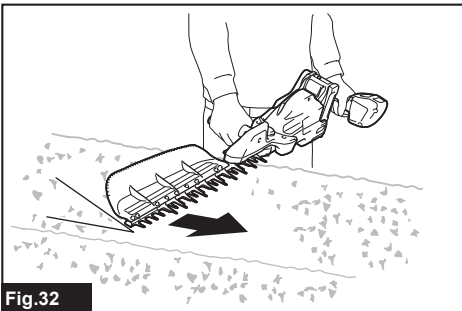


Fig.32

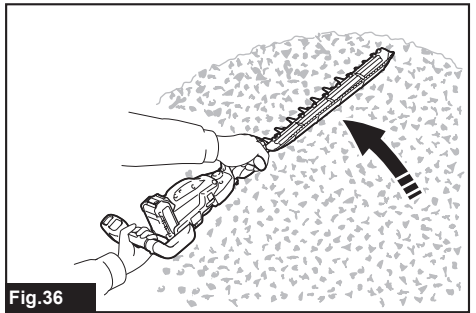


Fig.36

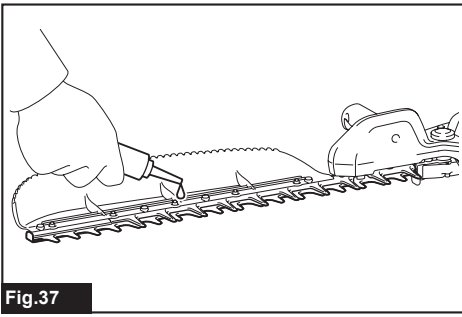


Fig.37

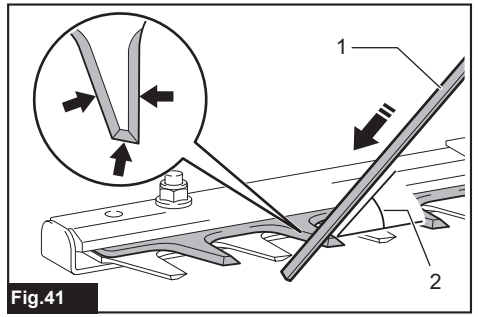


Fig.41

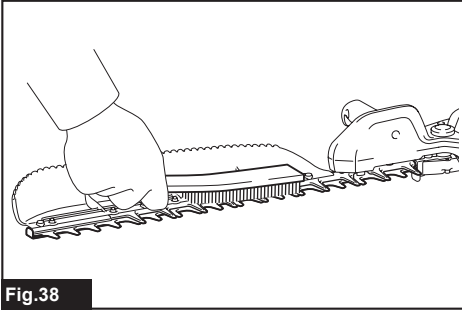


Fig.38

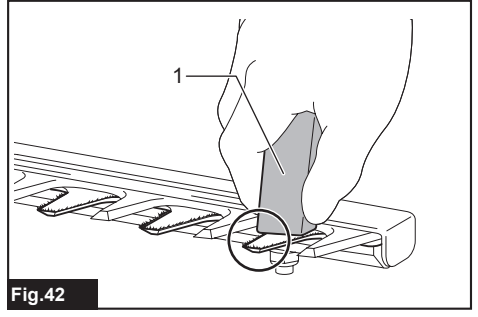


Fig.42

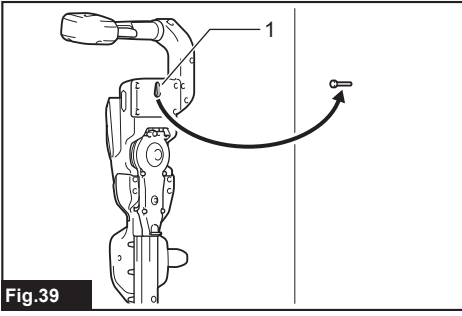


Fig.39

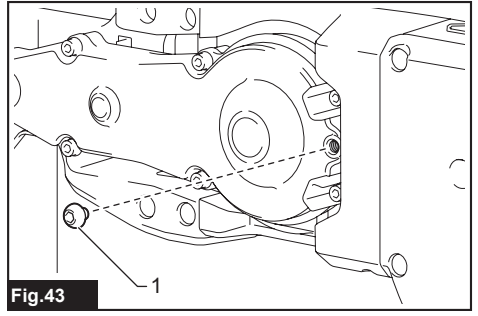


Fig.43

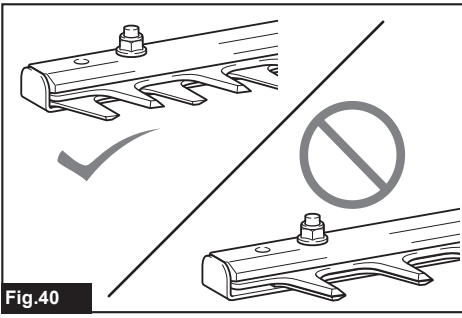


Fig.40

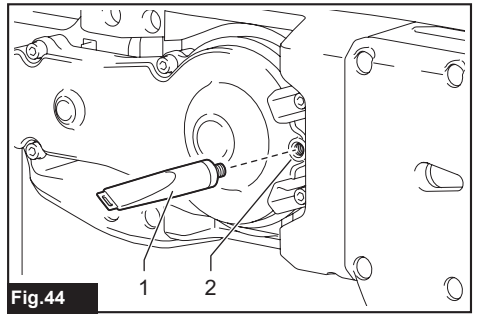


Fig.44

SPECIFICATIONS

Model:	UH013G	UH014G
Blade length	600 mm	750 mm
Strokes per minute	2,000 / 3,600 / 5,000 min ⁻¹	
Overall length	1,085 mm	1,225 mm
Rated voltage	D.C. 36 V - 40 V max	
Net weight	3.9 - 4.5 kg	4.0 - 4.7 kg
Protection degree	IPX4	

- Due to our continuing program of research and development, the specifications herein are subject to change without notice.
- Specifications may differ from country to country.
- The weight may differ depending on the attachment(s), including the battery cartridge. The lightest and heaviest combination, according to EPTA-Procedure 01/2014, are shown in the table.

Applicable battery cartridge and charger

Battery cartridge	BL4020* / BL4025* / BL4040* / BL4050F * : Recommended battery
Charger	DC40RA / DC40RB / DC40RC

- Some of the battery cartridges and chargers listed above may not be available depending on your region of residence.

⚠ WARNING: Only use the battery cartridges and chargers listed above. Use of any other battery cartridges and chargers may cause injury and/or fire.




Recommended cord connected power source

Portable power pack	PDC01 / PDC1200
---------------------	-----------------

- The cord connected power source(s) listed above may not be available depending on your region of residence.
- Before using the cord connected power source, read instruction and cautionary markings on them.

Symbols

The followings show the symbols which may be used for the equipment. Be sure that you understand their meaning before use.

	Read instruction manual.
	DANGER - Keep hands away from blade.
	Wear safety glasses.



Only for EU countries
Due to the presence of hazardous components in the equipment, waste electrical and electronic equipment, accumulators and batteries may have a negative impact on the environment and human health. Do not dispose of electrical and electronic appliances or batteries with household waste!
In accordance with the European Directive on waste electrical and electronic equipment and on accumulators and batteries and waste accumulators and batteries, as well as their adaptation to national law, waste electrical equipment, batteries and accumulators should be stored separately and delivered to a separate collection point for municipal waste, operating in accordance with the regulations on environmental protection.
This is indicated by the symbol of the crossed-out wheeled bin placed on the equipment.

Intended use

The tool is intended for trimming hedges.

Noise

Applicable standard : EN62841-4-2

Model	Sound pressure level		Sound power level	
	L _{pA} (dB(A))	Uncertainty K (dB(A))	L _{WA} (dB(A))	Uncertainty K (dB(A))
UH013G	80	3	91	3
UH014G	81	3	92	3

NOTE: The declared noise emission value(s) has been measured in accordance with a standard test method and may be used for comparing one tool with another.

NOTE: The declared noise emission value(s) may also be used in a preliminary assessment of exposure.

⚠ WARNING: Wear ear protection.

⚠ WARNING: The noise emission during actual use of the power tool can differ from the declared value(s) depending on the ways in which the tool is used especially what kind of workpiece is processed.

⚠ WARNING: Be sure to identify safety measures to protect the operator that are based on an estimation of exposure in the actual conditions of use (taking account of all parts of the operating cycle such as the times when the tool is switched off and when it is running idle in addition to the trigger time).

Vibration

The vibration total value (tri-axial vector sum) determined according to EN62841-4-2:

Model	Front handle		Rear handle	
	ah (m/s ²)	Uncertainty K (m/s ²)	ah (m/s ²)	Uncertainty K (m/s ²)
UH013G	2.5	1.5	2.5 m/s ² or less	1.5
UH014G	3.2	1.5	2.5 m/s ² or less	1.5

NOTE: The declared vibration total value(s) has been measured in accordance with a standard test method and may be used for comparing one tool with another.

NOTE: The declared vibration total value(s) may also be used in a preliminary assessment of exposure.

⚠ WARNING: The vibration emission during actual use of the power tool can differ from the declared value(s) depending on the ways in which the tool is used especially what kind of workpiece is processed.

⚠ WARNING: Be sure to identify safety measures to protect the operator that are based on an estimation of exposure in the actual conditions of use (taking account of all parts of the operating cycle such as the times when the tool is switched off and when it is running idle in addition to the trigger time).

EC Declaration of Conformity

For European countries only

The EC declaration of conformity is included as Annex A to this instruction manual.

SAFETY WARNINGS

General power tool safety warnings

⚠ WARNING: Read all safety warnings, instructions, illustrations and specifications provided with this power tool. Failure to follow all instructions listed below may result in electric shock, fire and/or serious injury.

Save all warnings and instructions for future reference.

The term "power tool" in the warnings refers to your mains-operated (corded) power tool or battery-operated (cordless) power tool.

Cordless Hedge Trimmer Safety Warnings

1. **Keep all parts of the body away from the blade. Do not remove cut material or hold material to be cut when blades are moving.** Blades continue to move after the switch is turned off. A moment of inattention while operating the hedge trimmer may result in serious personal injury.
2. **Carry the hedge trimmer by the handle with the blade stopped and taking care not to operate any power switch.** Proper carrying of the hedge trimmer will decrease the risk of inadvertent starting and resultant personal injury from the blades.

3. **When transporting or storing the hedge trimmer, always fit the blade cover.** Proper handling of the hedge trimmer will decrease the risk of personal injury from the blades.
4. **When clearing jammed material or servicing the unit, make sure all power switches are off and the battery pack is removed or disconnected.** Unexpected actuation of the hedge trimmer while clearing jammed material or servicing may result in serious personal injury.
5. **Hold the hedge trimmer by insulated gripping surfaces only, because the blade may contact hidden wiring.** Blades contacting a "live" wire may make exposed metal parts of the hedge trimmer "live" and could give the operator an electric shock.
6. **Keep all power cords and cables away from cutting area.** Power cords or cables may be hidden in hedges or bushes and can be accidentally cut by the blade.
7. **Do not use the hedge trimmer in bad weather conditions, especially when there is a risk of lightning.** This decreases the risk of being struck by lightning.
6. **Immediately switch off the tool and remove the battery cartridge if the shear blades should come into contact with a fence or other hard object. Check the blades for damage, and if damaged, replace the blades immediately.**
7. **Before checking the shear blades, taking care of faults, or removing material caught in the shear blades, always switch off the tool and remove the battery cartridge.**
8. **Never point the shear blades to yourself or others.**
9. **If the blades stop moving due to the stuck of foreign objects between the blades during operation, switch off the tool and remove the battery cartridge, and then remove the foreign objects using tools such as pliers.** Removing the foreign objects by hand may cause an injury for the reason that the blades may move in reaction to removing the foreign objects.
10. **When you use the tool on muddy ground, wet slope, or slippery place, pay attention to your footing.**
11. **Do not submerge the tool into a puddle.**
12. **Do not leave the tool unattended outdoors in the rain.**

Additional Safety Instructions

Preparation

1. **Check the hedges and bushes for foreign objects, such as wire fences or hidden wiring before operating the tool.**
2. **The tool must not be used by children or young persons under 18 years of age.** Young persons over 16 years of age may be exempted from this restriction if they are undergoing training under the supervision of an expert.
3. **First-time users should have an experienced user show them how to use the tool.**
4. **Use the tool only if you are in good physical condition.** If you are tired, your attention will be reduced. Be especially careful at the end of a working day. Perform all work calmly and carefully. The user is responsible for all damages to third parties.
5. **Never use the tool when under the influence of alcohol, drugs or medication.**
6. **Work gloves of stout leather are part of the basic equipment of the tool and must always be worn when working with it. Also wear sturdy shoes with anti-skid soles.**
7. **Before starting work check to make sure that the tool is in good and safe working order. Ensure guards are fitted properly. The tool must not be used unless fully assembled.**

Operation

1. **Hold the tool firmly with both hands when using the tool.**
2. **The tool is intended to be used by the operator at ground level. Do not use the tool on ladders or any other unstable support.**
3. **DANGER - Keep hands away from blade.** Contact with blade will result in serious personal injury.
4. **Make sure you have a secure footing before starting operation.**
5. **Do not operate the tool at no-load unnecessarily.**

Electrical and battery safety

1. **Avoid dangerous environment. Don't use the tool in damp or wet locations or expose it to rain.** Water entering the tool will increase the risk of electric shock.
2. **Do not dispose of the battery(ies) in a fire.** The cell may explode. Check with local codes for possible special disposal instructions.
3. **Do not open or mutilate the battery(ies).** Released electrolyte is corrosive and may cause damage to the eyes or skin. It may be toxic if swallowed.
4. **Do not charge battery in rain, or in wet locations.**
5. **Do not charge the battery outdoors.**
6. **Do not handle charger, including charger plug, and charger terminals with wet hands.**
7. **Do not replace the battery with wet hands.**
8. **Do not replace the battery in the rain.**
9. **Do not wet the terminal of battery with liquid such as water, or submerge the battery. Do not leave the battery in the rain, nor charge, use, or store the battery in a damp or wet place.** If the terminal gets wet or liquid enters inside of battery, the battery may be short circuited and there is a risk of overheat, fire, or explosion.
10. **After removing the battery from the tool or charger, be sure to attach the battery cover to the battery and store it in a dry place.**
11. **If the battery cartridge gets wet, drain the water inside and then wipe it with a dry cloth. Dry the battery cartridge completely in a dry place before use.**

Maintenance and storage

1. **Switch off the tool and remove the battery cartridge before doing any maintenance work.**
2. **When moving the tool to another location, including during work, always remove the battery cartridge and put the blade cover on the shear blades. Never carry or transport the tool with the blades running. Never grasp the blades with your hands.**

3. Clean the tool and especially the shear blades after use, and before putting the tool into storage for extended periods. Lightly oil the blades and put on the blade cover.
4. Store the tool with the blade cover on, in a dry room. Keep it out of reach of children. Never store the tool outdoors.
5. Do not dispose of the battery(ies) in a fire. The cell may explode. Check with local codes for possible special disposal instructions.
6. Do not open or mutilate the battery(ies). Released electrolyte is corrosive and may cause damage to the eyes or skin. It may be toxic if swallowed.
7. Do not charge battery in rain, or in wet locations.
8. When storing the tool, avoid direct sunlight and rain, and store it in a place where it does not get hot or humid.
10. The contained lithium-ion batteries are subject to the Dangerous Goods Legislation requirements. For commercial transports e.g. by third parties, forwarding agents, special requirement on packaging and labeling must be observed. For preparation of the item being shipped, consulting an expert for hazardous material is required. Please also observe possibly more detailed national regulations. Tape or mask off open contacts and pack up the battery in such a manner that it cannot move around in the packaging.

SAVE THESE INSTRUCTIONS.

⚠WARNING: DO NOT let comfort or familiarity with product (gained from repeated use) replace strict adherence to safety rules for the subject product. MISUSE or failure to follow the safety rules stated in this instruction manual may cause serious personal injury.

Important safety instructions for battery cartridge

1. Before using battery cartridge, read all instructions and cautionary markings on (1) battery charger, (2) battery, and (3) product using battery.
2. Do not disassemble or tamper the battery cartridge. It may result in a fire, excessive heat, or explosion.
3. If operating time has become excessively shorter, stop operating immediately. It may result in a risk of overheating, possible burns and even an explosion.
4. If electrolyte gets into your eyes, rinse them out with clear water and seek medical attention right away. It may result in loss of your eyesight.
5. Do not short the battery cartridge:
 - (1) Do not touch the terminals with any conductive material.
 - (2) Avoid storing battery cartridge in a container with other metal objects such as nails, coins, etc.
 - (3) Do not expose battery cartridge to water or rain.

A battery short can cause a large current flow, overheating, possible burns and even a breakdown.

6. Do not store and use the tool and battery cartridge in locations where the temperature may reach or exceed 50 °C (122 °F).
7. Do not incinerate the battery cartridge even if it is severely damaged or is completely worn out. The battery cartridge can explode in a fire.
8. Do not nail, cut, crush, throw, drop the battery cartridge, or hit against a hard object to the battery cartridge. Such conduct may result in a fire, excessive heat, or explosion.
9. Do not use a damaged battery.

11. When disposing the battery cartridge, remove it from the tool and dispose of it in a safe place. Follow your local regulations relating to disposal of battery.
12. Use the batteries only with the products specified by Makita. Installing the batteries to non-compliant products may result in a fire, excessive heat, explosion, or leak of electrolyte.
13. If the tool is not used for a long period of time, the battery must be removed from the tool.
14. During and after use, the battery cartridge may take on heat which can cause burns or low temperature burns. Pay attention to the handling of hot battery cartridges.
15. Do not touch the terminal of the tool immediately after use as it may get hot enough to cause burns.
16. Do not allow chips, dust, or soil stuck into the terminals, holes, and grooves of the battery cartridge. It may cause heating, catching fire, burst and malfunction of the tool or battery cartridge, resulting in burns or personal injury.
17. Unless the tool supports the use near high-voltage electrical power lines, do not use the battery cartridge near a high-voltage electrical power lines. It may result in a malfunction or breakdown of the tool or battery cartridge.
18. Keep the battery away from children.

SAVE THESE INSTRUCTIONS.

⚠CAUTION: Only use genuine Makita batteries. Use of non-genuine Makita batteries, or batteries that have been altered, may result in the battery bursting causing fires, personal injury and damage. It will also void the Makita warranty for the Makita tool and charger.

Tips for maintaining maximum battery life

1. Charge the battery cartridge before completely discharged. Always stop tool operation and charge the battery cartridge when you notice less tool power.
2. Never recharge a fully charged battery cartridge. Overcharging shortens the battery service life.
3. Charge the battery cartridge with room temperature at 10 °C - 40 °C (50 °F - 104 °F). Let a hot battery cartridge cool down before charging it.
4. When not using the battery cartridge, remove it from the tool or the charger.
5. Charge the battery cartridge if you do not use it for a long period (more than six months).

FUNCTIONAL DESCRIPTION

CAUTION: Always be sure that the tool is switched off and the battery cartridge is removed before adjusting or checking function on the tool.

Installing or removing battery cartridge

CAUTION: Always switch off the tool before installing or removing of the battery cartridge.

CAUTION: Hold the tool and the battery cartridge firmly when installing or removing battery cartridge. Failure to hold the tool and the battery cartridge firmly may cause them to slip off your hands and result in damage to the tool and battery cartridge and a personal injury.

► **Fig.1:** 1. Red indicator 2. Button 3. Battery cartridge

To remove the battery cartridge, slide it from the tool while sliding the button on the front of the cartridge.

To install the battery cartridge, align the tongue on the battery cartridge with the groove in the housing and slip it into place. Insert it all the way until it locks in place with a little click. If you can see the red indicator as shown in the figure, it is not locked completely.

CAUTION: Always install the battery cartridge fully until the red indicator cannot be seen. If not, it may accidentally fall out of the tool, causing injury to you or someone around you.

CAUTION: Do not install the battery cartridge forcibly. If the cartridge does not slide in easily, it is not being inserted correctly.

Indicating the remaining battery capacity

Press the check button on the battery cartridge to indicate the remaining battery capacity. The indicator lamps light up for a few seconds.

► **Fig.2:** 1. Indicator lamps 2. Check button

Indicator lamps			Remaining capacity
Lighted	Off	Blinking	
			75% to 100%
			50% to 75%
			25% to 50%
			0% to 25%
			Charge the battery.
			The battery may have malfunctioned.

NOTE: Depending on the conditions of use and the ambient temperature, the indication may differ slightly from the actual capacity.

NOTE: The first (far left) indicator lamp will blink when the battery protection system works.

Tool / battery protection system

The tool is equipped with a tool/battery protection system. This system automatically cuts off power to the motor to extend tool and battery life. The tool will automatically stop during operation if the tool is placed under one of the following conditions:

► **Fig.3:** 1. Caution lamp

Caution lamp		Status
Color	● On / ● Blinking	
Green		Overload
Red	(tool) / (battery)	Overheat
Red		Over discharge

NOTICE: Depending on the usage conditions, the tool automatically stops without any indication if the branches or debris are entangled in the tool. In this case, switch off the tool and remove the battery cartridge, and then remove entangled branches or debris using tools such as pliers. After removing the branches or debris, install the battery cartridge and turn on the tool again.

Overload protection

If the tool or battery is overloaded by entangled branches or other debris, the tool automatically stops and the caution lamp starts blinking in green.

In this situation, turn the tool off and stop the application that caused the tool to become overloaded. Then turn the tool on to restart.

Overheat protection for tool or battery

If the tool or battery cartridge is overheated, the tool stops automatically. When the tool is overheated, the caution lamp lights up in red. When the battery cartridge is overheated, the caution lamp blinks in red. Let the tool and/or battery cool down before turning the tool on again.

Overdischarge protection

When the battery capacity becomes low, the tool stops automatically and the caution lamp starts blinking in red. If the tool does not operate even when the switches are operated, remove the battery cartridge from the tool and charge it.

Protections against other causes

Protection system is also designed for other causes that could damage the tool and allows the tool to stop automatically. Take all the following steps to clear the causes, when the tool has been brought to a temporary halt or stop in operation.

1. Turn the tool off, and then turn it on again to restart.
2. Charge the battery(ies) or replace it/them with recharged battery(ies).
3. Let the machine and battery(ies) cool down.

If no improvement can be found by restoring protection system, then contact your local Makita Service Center.

Power switch action

⚠ WARNING: For your safety, this tool is equipped with lever which prevents the tool from unintended starting. NEVER use the tool if it runs when you simply pull the switch triggers without pressing the lever. Return the tool to our authorized service center for proper repairs BEFORE further usage.

⚠ WARNING: NEVER tape down or defeat purpose and function of the lever.

⚠ WARNING: Before installing the battery cartridge on the tool, always check to see that the switch triggers and lever actuate properly and return to the "OFF" position when released. Operating a tool with a switch that does not actuate properly can lead to loss of control and serious personal injury.

⚠ CAUTION: Never put your finger on the switch triggers when carrying. The tool may start unintentionally and cause injury.

NOTICE: Do not pull the switch trigger hard without pressing the lever. This can cause switch breakage.

Press the main power button to turn on the tool. To turn off the tool, press and hold the main power button until the speed indicators go off.

► **Fig.4:** 1. Main power button

NOTE: The caution lamp blinks if the switch trigger is pulled under unoperable conditions. The caution lamp blinks if you turn on the main power switch while holding down the lever and the switch trigger.

NOTE: This tool employs the auto power-off function. To avoid unintentional start up, the main power switch will automatically shut down when the switch trigger is not pulled for a certain period after the main power switch is turned on.










To prevent the switch trigger from being accidentally pulled, the lever is provided. To start the tool, pull the front switch trigger, and then pull the rear switch trigger while pressing the lever. When you release either of the switch triggers, the tool stops.

► **Fig.5:** 1. Lever 2. Rear switch trigger 3. Front switch trigger

Speed adjusting

You can adjust the tool speed by pressing the main power button. Each time you press the main power button, the level of speed changes.

► **Fig.6:** 1. Speed indicator 2. Main power button

Speed indicator	Mode	Stroke speed
3  2  1 	High	5,000 min ⁻¹
3  2  1 	Medium	3,600 min ⁻¹
3  2  1 	Low	2,000 min ⁻¹

Reverse button for debris removal

⚠ WARNING: If the entangled branches or debris cannot be removed by the reverse function, switch off the tool and remove the battery cartridge, and then remove the entangled branches or debris using tools such as pliers. Failure to switch off the tool and remove the battery cartridge may result in serious personal injury from accidental start-up. Removing the entangled branches or debris by hand may cause an injury, since the shear blades may move in reaction to removing them.

This tool has a reverse button to change the direction of shear blades movement. It is only for removing branches and debris entangled in the tool.

To reverse the shear blades movement, press the reverse button when the shear blades have stopped, then pull the front switch trigger, and then pull the rear switch trigger while pressing the lever. The speed indicators start blinking, and the shear blades move in reverse direction.

When entangled branches and debris are removed, the tool returns to the regular movement and the speed indicators stop blinking and light up.

► **Fig.7:** 1. Speed indicator 2. Reverse button

NOTE: If the entangled branches or debris cannot be removed, release the switch triggers, then press the reverse button, and then pull the switch triggers until they are removed.

NOTE: If you tap the reverse button while the shear blades are still moving, the tool comes to stop and to be ready for reverse movement.

Electronic function

The tool is equipped with the electronic functions for easy operation.

- **Constant speed control**
The speed control function provides the constant rotation speed regardless of load conditions.
- **Electric brake**
This tool is equipped with an electric brake. If the tool consistently fails to quickly stop the shear blades after releasing the switch trigger, have the tool serviced at Makita Authorized Service Center.
- **Accidental re-start preventive function**
Even if you install the battery cartridge while pulling the switch trigger, the tool does not start. To start the tool, first release the switch trigger, and then pull the switch trigger.

ASSEMBLY

⚠ CAUTION: Always be sure that the tool is switched off and the battery cartridge is removed before carrying out any work on the tool.

⚠ CAUTION: When replacing the shear blades, always wear gloves so that your hands do not directly contact the blades.

NOTICE: When replacing the shear blades, do not wipe off grease from the gear and crank.

Installing or removing the shear blades

⚠ CAUTION: Attach the blade cover before removing or installing the shear blades.

You can install 600 mm or 750 mm shear blades to your tool.

NOTE: If you change the shear blades to a different length, replace the chip receiver with one which fits the blades.

1. Remove four screws (for UH013G) or five screws (for UH014G), and then remove the chip receiver from the tool.

For UH013G

- **Fig.8:** 1. Chip receiver 2. Screw

For UH014G

- **Fig.9:** 1. Chip receiver 2. Screw

2. Place the tool upside down, and then remove six bolts.

- **Fig.10:** 1. Bolt

3. Remove the cover and the plate.

- **Fig.11:** 1. Cover 2. Plate

NOTE: The plate may remain on the cover.

4. Remove the rod and the bearing.

- **Fig.12:** 1. Rod 2. Bearing

NOTE: The rod or bearing may remain on the cover.

5. Remove three screws, three sleeves and the felt pad, and then remove the shear blades.

- **Fig.13:** 1. Screw 2. Sleeve 3. Felt pad 4. Shear blades

NOTICE: Be careful not to lose the screws.

6. Remove the blade cover, and then attach it to the new shear blades.

- **Fig.14**

7. Adjust the crank so that two holes are lined up on the alignment line.

- **Fig.15:** 1. Hole 2. Alignment line

8. Align the protrusions on the shear blades vertically at the same position.

- **Fig.16:** 1. Protrusion

9. Insert the screw removed in step 5 into the holes on the blade cover and the shear blades to temporarily fix the shear blades, and then attach the felt pad to the shear blades.

- **Fig.17:** 1. Screw 2. Felt pad 3. Hole

10. Insert the protrusion on the shear blades to the hole on the rod, then align the position of the felt pad with the holes on the tool. Attach two new sleeves.

- **Fig.18:** 1. Felt pad 2. Protrusion 3. Hole 4. Sleeve

NOTICE: Apply a small amount of grease to the inner periphery of the hole of the rod.

NOTICE: Be careful not to lose the sleeves.

11. Align the holes on the sleeves and shear blades with the holes on the tool, and then tighten two screws to temporarily fix the shear blades.

- **Fig.19:** 1. Screw

12. Remove the screw inserted into the hole on the shear blades in step 9, and then slide the blade cover.

- **Fig.20:** 1. Screw

13. Attach a new sleeve.

- **Fig.21:** 1. Sleeve

14. Tighten the screw together with the sleeve to fix the shear blades.

- **Fig.22:** 1. Screw

15. Firmly tighten the screws which were temporarily fixed in step 11.

16. Attach the bearing and the rod.

- **Fig.23:** 1. Rod 2. Small hole 3. Bearing

NOTICE: Apply a small amount of grease to the inner periphery of the small hole of the rod.

NOTICE: Make sure that the protrusion on the shear blades fits in the small hole on the rod.

17. Attach the plate.

- **Fig.24:** 1. Protrusion 2. Plate

NOTICE: Make sure that the protrusion on the shear blades fits in the hole on the plate.

18. Attach the cover, and then tighten six bolts.

- **Fig.25:** 1. Bolt 2. Cover

19. Attach the chip receiver to the tool by tightening four screws (for UH013G) or five screws (for UH014G).

For UH013G

► Fig.26: 1. Chip receiver 2. Screw

For UH014G

► Fig.27: 1. Chip receiver 2. Screw

NOTICE: If the shear blades do not move smoothly, the shear blades are not engaged with the rods properly. Install the shear blades again.

NOTICE: If the parts other than the shear blades such as the rods are worn out, ask Makita Authorized Service Centers for parts replacement or repairs.

Removing or installing the chip receiver

CAUTION: When installing or removing the chip receiver, always wear gloves so that your hands do not directly contact the shear blades.

The chip receiver gathers discarded leaves and makes clean-up afterward much easier.

To remove the chip receiver, remove four screws (for UH013G) or five screws (for UH014G), and then remove the chip receiver from the tool. To install the chip receiver, follow the removal procedure in reverse.

For UH013G

► Fig.28: 1. Chip receiver 2. Screw

For UH014G

► Fig.29: 1. Chip receiver 2. Screw

OPERATION

WARNING: Keep hands away from shear blades.

CAUTION: Avoid operating the tool in very hot weather as much as practicable. When operating the tool, be careful of your physical condition.

CAUTION: Be careful not to accidentally contact a metal fence or other hard objects while trimming. The shear blades may break and cause an injury.

CAUTION: Be careful not to allow the shear blades to contact the ground. The tool may recoil and cause an injury.

CAUTION: Overreaching with a hedge trimmer, particularly from a ladder, is extremely dangerous. Do not work while standing on anything wobbly or infirm.

NOTICE: Do not attempt to cut branches thicker than 10 mm in diameter with the tool. Cut branches to 10 cm lower than the cutting height using branch cutters before using the tool.

► Fig.30: (1) Cutting height (2) 10 cm

NOTICE: Do not cut down dead trees or similar hard objects. Doing so may damage the tool.

NOTICE: Do not trim the grass or weeds while using the shear blades. The shear blades may become tangled in the grass or weeds.

Hold the front grip with your right hand and the rear grip with your left hand. Pull the front switch trigger, then pull the rear switch trigger while pressing the lever, and then move the tool forward.

► Fig.31

For basic operation, tilt the shear blades toward the trimming direction and move it calmly and slowly at the speed rate of 3 to 4 seconds per meter.

► Fig.32

To cut a hedge top evenly, tie a string at the desired height and trim along it.

► Fig.33

The chip receiver gathers discarded leaves and makes clean-up afterward much easier.

► Fig.34

To cut a hedge side evenly, cut from the bottom to top.

► Fig.35

When trimming to make a round shape (trimming box-wood or rhododendron, etc.), trim from the root to the top for a beautiful finish.

► Fig.36

MAINTENANCE

CAUTION: Always be sure that the tool is switched off and the battery cartridge is removed before attempting to perform inspection or maintenance.

To maintain product SAFETY and RELIABILITY, repairs, any other maintenance or adjustment should be performed by Makita Authorized or Factory Service Centers, always using Makita replacement parts.

Cleaning the tool

Clean the tool by wiping off dust with a dry cloth or one dipped in soapy water and wrung out.

NOTICE: Never use gasoline, benzine, thinner, alcohol or the like. Discoloration, deformation or cracks may result.

Shear blade maintenance

Before the operation or once per hour during operation, apply low-viscosity oil (machine oil, or spray-type lubricating oil) to the shear blades.

► Fig.37

After operation, remove dust from the shear blades with a wired brush, wipe it off with a cloth and then apply low-viscosity oil (machine oil, or spray-type lubricating oil) to the shear blades.

► Fig.38

NOTICE: Do not wash the shear blades in water.
Doing so may cause rust or damage to the tool.

NOTICE: Dirt and corrosion cause excessive blade friction and shorten the operating time per battery charge.

Storage

The hook hole in the tool bottom is convenient for hanging the tool from a nail or screw on the wall.

Remove the battery cartridge from the tool, and then attach the blade cover to the shear blades so that the blades are not exposed. Store the tool out of the reach of children. Store the tool in a place not exposed to moisture or rain.

► Fig.39: 1. Hole

Grinding the shear blades

NOTICE: If the shear blades have considerably deformed by grinding, replace the shear blades with new ones.

1. Install the battery cartridge to the tool.
2. Turn on and start the tool so that the upper blade and lower blade are positioned alternately.

► Fig.40

3. Turn off the tool and remove the battery cartridge from the tool.

4. Set the angle of a file to 45°, and grind the upper blade from 3 directions with the file.

► Fig.41: (1) File (2) 45°

CAUTION: Before grinding the shear blades, make sure that the tool is switched off and the battery cartridge is removed from the tool.

5. Place the tool upside down, and then remove the burrs from the shear blades with the dressing stone.

► Fig.42: 1. Dressing stone

6. Set the angle of the file to 45°, and grind the lower blade from 3 directions with the file.

7. Return the tool to normal position, and then remove the burrs from the shear blades with the dressing stone.

Grease lubrication

Interval of lubrication: Every 50 operating hours

1. Remove the bolt from the hole for lubrication.

► Fig.43: 1. Bolt

2. Remove the cap from the grease vessel. Align the outlet of the grease vessel with the hole on the cover, and then press the outlet of the grease vessel onto the hole.

► Fig.44: 1. Grease vessel 2. Hole

3. Apply the grease to the tool (Approximately 5 g as a guide).

4. Tighten the bolt.

TROUBLESHOOTING

Before asking for repairs, conduct your own inspection first. If you find a problem that is not explained in the manual, do not attempt to dismantle the tool. Instead, ask Makita Authorized Service Centers, always using Makita replacement parts for repairs.

State of abnormality	Probable cause (malfunction)	Remedy
Motor does not run.	Battery cartridge is not installed.	Install the battery cartridge.
	Battery problem (under voltage)	Recharge the battery. If recharging is not effective, replace battery.
	The drive system does not work correctly.	Ask your local authorized service center for repair.
Motor stops running after a little use.	Battery's charge level is low.	Recharge the battery. If recharging is not effective, replace battery.
	Overheating.	Stop using of tool to allow it to cool down.
Tool does not reach maximum RPM.	Battery is installed improperly.	Install the battery cartridge as described in this manual.
	Battery power is dropping.	Recharge the battery. If recharging is not effective, replace battery.
	The drive system does not work correctly.	Ask your local authorized service center for repair.
Shear blades do not move: ⇒ stop the machine immediately!	Foreign objects are caught between the shear blades.	1. Use the reverse button. 2. Switch off the tool and remove the battery cartridge, and then remove the foreign objects using tools such as pliers.
	The drive system does not work correctly.	Ask your local authorized service center for repair.
Abnormal vibration: ⇒ stop the machine immediately!	Shear blades are broken, bent or worn.	Replace the shear blades.
	The drive system does not work correctly.	Ask your local authorized service center for repair.
Shear blades and motor cannot stop: ⇒ Remove the battery immediately!	Electric malfunction.	Remove the battery and ask your local authorized service center for repair.

OPTIONAL ACCESSORIES

⚠ CAUTION: These accessories or attachments are recommended for use with your Makita tool specified in this manual. The use of any other accessories or attachments might present a risk of injury to persons. Only use accessory or attachment for its stated purpose.

If you need any assistance for more details regarding these accessories, ask your local Makita Service Center.

- Shear blade assembly
- Chip receiver
- Grease vessel
- Makita genuine battery and charger

NOTE: Some items in the list may be included in the tool package as standard accessories. They may differ from country to country.

DANE TECHNICZNE

Model:	UH013G	UH014G
Długość ostrza	600 mm	750 mm
Liczba oscylacji na minutę	2 000 / 3 600 / 5 000 min ⁻¹	
Długość całkowita	1 085 mm	1 225 mm
Napięcie znamionowe	Prąd stały 36 V–40 V maks.	
Masa netto	3,9–4,5 kg	4,0–4,7 kg
Stopień ochrony	IPX4	

- W związku ze stale prowadzonym przez naszą firmę programem badawczo-rozwojowym niniejsze dane mogą ulec zmianom bez wcześniejszego powiadomienia.
- Dane techniczne mogą różnić się w zależności od kraju.
- Masa może być różna w zależności od osprzętu, w tym akumulatora. W tabeli przedstawiona jest najlżejsza i najcięższa konfiguracja, zgodnie z procedurą EPTA 01/2014.

Kompatybilne akumulatory i ładowarki

Akumulator	BL4020* / BL4025* / BL4040* / BL4050F *: Zalecany akumulator
Ładowarka	DC40RA / DC40RB / DC40RC

- Pewne z wymienionych powyżej akumulatorów i ładowarek mogą być niedostępne w regionie zamieszkania użytkownika.

⚠ OSTRZEŻENIE: Należy używać wyłącznie akumulatorów i ładowarek wymienionych powyżej. Używanie innych akumulatorów i ładowarek może stwarzać ryzyko wystąpienia obrażeń ciała lub pożaru.




Zalecane źródło zasilania podłączane za pomocą przewodu

Przenośna jednostka zasilająca	PDC01 / PDC1200
--------------------------------	-----------------

- Wymienione powyżej źródło zasilania podłączane za pomocą przewodu może być niedostępne w regionie zamieszkania użytkownika.
- Przed użyciem źródła zasilania podłączanego za pomocą przewodu należy zapoznać się z instrukcją i umieszczonymi na nim znakami ostrzegawczymi.

Symbole

Poniżej pokazano symbole, jakie mogą być zastosowane na urządzeniu. Przed rozpoczęciem użytkowania należy zapoznać się z ich znaczeniem.

	Przeczytać instrukcję obsługi.
	NIEBEZPIECZEŃSTWO — Nie zbliżać rąk do ostrza.
	Nosić okulary ochronne.



Dotyczy tylko państw UE
Z uwagi na obecność w sprzęcie niebezpiecznych składników, zużyty sprzęt elektryczny, elektroniczny, akumulatory oraz baterie mogą powodować negatywny wpływ na środowisko i zdrowie ludzi. Nie wyrzucaj urządzeń elektrycznych, elektronicznych lub akumulatorów wraz z odpadami z gospodarstwa domowego! Zgodnie z Europejską Dyrektywą w sprawie zużytego sprzętu elektrycznego i elektronicznego oraz dotyczącą akumulatorów i baterii oraz zużytych akumulatorów i baterii, a także dostosowaniem ich do prawa krajowego, zużyte urządzenia elektryczne, elektroniczne, baterie i akumulatory, należy składować osobno i przekazywać do punktu selektywnej zbiórki odpadów komunalnych, działającego zgodnie z przepisami dotyczącymi ochrony środowiska. Informuje o tym symbol przekreślonego kołowego kontenera na odpady umieszczony na sprzęcie.

Przeznaczenie

Narzędzie to jest przeznaczone do przycinania żywopłotów.

Hałas

Obowiązująca norma : EN62841-4-2

Model	Poziom ciśnienia akustycznego		Poziom natężenia dźwięku	
	L _{pA} (dB(A))	Niepewność K (dB(A))	L _{WA} (dB(A))	Niepewność K (dB(A))
UH013G	80	3	91	3
UH014G	81	3	92	3

WSKAZÓWKA: Deklarowana wartość emisji hałasu została zmierzona zgodnie ze standardową metodą testową i można ją wykorzystać do porównywania narzędzi.

WSKAZÓWKA: Deklarowaną wartość emisji hałasu można także wykorzystać we wstępnej ocenie narażenia.

⚠ OSTRZEŻENIE: Nosić ochronniki słuchu.

⚠ OSTRZEŻENIE: Poziom hałasu wytwarzanego podczas rzeczywistego użytkowania elektronarzędzia może się różnić od wartości deklarowanej w zależności od sposobu użytkowania narzędzia, a w szczególności od rodzaju obrabianego elementu.

⚠ OSTRZEŻENIE: W oparciu o szacowane narażenie w rzeczywistych warunkach użytkowania należy określić środki bezpieczeństwa w celu zapewnienia ochrony operatora (uwzględniając wszystkie elementy cyklu działania, tj. czas, kiedy narzędzie jest wyłączone i kiedy pracuje na biegu jałowym, a także czas, kiedy jest włączone).

Drgania

Całkowita wartość poziomu drgań (suma wektorów w 3 osiach) określona zgodnie z normą EN62841-4-2:

Model	Uchwyt przedni		Uchwyt tylny	
	ah (m/s ²)	Niepewność K (m/s ²)	ah (m/s ²)	Niepewność K (m/s ²)
UH013G	2,5	1,5	2,5 m/s ² lub mniej	1,5
UH014G	3,2	1,5	2,5 m/s ² lub mniej	1,5

WSKAZÓWKA: Deklarowana wartość poziomu drgań została zmierzona zgodnie ze standardową metodą testową i można ją wykorzystać do porównywania narzędzi.

WSKAZÓWKA: Deklarowaną wartość poziomu drgań można także wykorzystać we wstępnej ocenie narażenia.

⚠ OSTRZEŻENIE: Drgania wytwarzane podczas rzeczywistego użytkowania elektronarzędzia mogą się różnić od wartości deklarowanej w zależności od sposobu użytkowania narzędzia, a w szczególności od rodzaju obrabianego elementu.

⚠ OSTRZEŻENIE: W oparciu o szacowane narażenie w rzeczywistych warunkach użytkowania należy określić środki bezpieczeństwa w celu zapewnienia ochrony operatora (uwzględniając wszystkie elementy cyklu działania, tj. czas, kiedy narzędzie jest wyłączone i kiedy pracuje na biegu jałowym, a także czas, kiedy jest włączone).

Deklaracja zgodności WE

Dotyczy tylko krajów europejskich

Deklaracja zgodności WE jest dołączona jako załącznik A do niniejszej instrukcji obsługi.

OSTRZEŻENIA DOTYCZĄCE BEZPIECZEŃSTWA

Ogólne zasady bezpiecznej eksploatacji elektronarzędzi

⚠ OSTRZEŻENIE: Należy zapoznać się z ostrzeżeniami dotyczącymi bezpieczeństwa, instrukcjami, ilustracjami i danymi technicznymi dołączonymi do tego elektronarzędzia. Niezastosowanie się do podanych poniżej instrukcji może prowadzić do porażenia prądem, pożaru i/lub poważnych obrażeń ciała.

Wszystkie ostrzeżenia i instrukcje należy zachować do wykorzystania w przyszłości.

Pojęcie „elektronarzędzie”, występujące w wymienionych tu ostrzeżeniach, odnosi się do elektronarzędzia zasilanego z sieci elektrycznej (z przewodem zasilającym) lub do elektronarzędzia akumulatorowego (bez przewodu zasilającego).

Ostrzeżenia dotyczące bezpieczeństwa dla akumulatorowych nożyc do żywopłotu

1. **Nie wolno zbliżać żadnych części ciała do ostrza. Ciężego materiału nie wolno usuwać ani przytrzymywać, kiedy ostrza są w ruchu.** Ostrza poruszają się nawet po ustawieniu przełącznika w pozycji wyłączenia. Moment nieuważi podczas pracy z nożycami do żywopłotu może spowodować poważne obrażenia ciała.
2. **Nożyce do żywopłotu należy przenosić przy zatrzymanych ostrzach, trzymając narzędzie za uchwyt i uważając, by nie nacisnąć żadnego przełącznika zasilania.** Prawidłowe przenoszenie nożyc do żywopłotu zmniejsza ryzyko ich niezamierzonego włączenia i doznania urazów spowodowanych przez ostrza.
3. **Podczas transportu lub przechowywania nożyc do żywopłotu na ostrza zawsze powinna być założona osłona.** Prawidłowe obchodzenie się z nożycami do żywopłotu zmniejsza ryzyko doznania urazów spowodowanych przez ostrza.
4. **Przed usunięciem zablokowanego materiału lub przystąpieniem do serwisowania narzędzia należy koniecznie sprawdzić, czy wszystkie przełączniki zasilania są wyłączone, a akumulator został wyjęty lub odłączony.** Niespodziewane uruchomienie nożyc do żywopłotu podczas usuwania zablokowanego materiału lub serwisowania może doprowadzić do poważnych obrażeń ciała.
5. **Ponieważ ostrze może zetknąć się z ukrytymi przewodami elektrycznymi, nożyce do żywopłotu należy trzymać tylko za izolowane uchwyty.** Zetknięcie ostrzy z przewodem elektrycznym znajdującym się pod napięciem spowoduje, że odsłonięte elementy metalowe nożyc do żywopłotu również znajdują się pod napięciem, stwarzając ryzyko porażenia operatora prądem elektrycznym.
6. **Wszystkie przewody elektryczne należy trzymać z dala od obszaru cięcia.** Przewody elektryczne mogą być ukryte w zaroślach i zostać przypadkowo przecięte przez ostrze.
7. **Nie używać nożyc do żywopłotu przy złej pogodzie, w szczególności podczas burzy.** Zmniejszy to ryzyko uderzenia piorunem.

Dodatkowe zalecenia dotyczące bezpieczeństwa

Przygotowanie

1. **Przed uruchomieniem narzędzia należy sprawdzić, czy w żywopłocie lub krzewach nie ma elementów takich jak ogrodzenia z drutu lub niewidoczne przewody elektryczne.**

2. **Narzędzia nie wolno obsługiwać dzieciom i młodzieży poniżej 18 roku życia.** Młode osoby powyżej 16 roku życia można wyłączyć z tego zastrzeżenia, jeżeli odbywają szkolenie pod nadzorem fachowca.
3. **Osoba mająca praktyczne doświadczenie powinna poinstruować użytkownika, który jeszcze nie pracował z takim narzędziem.**
4. **Narzędzie powinno być używane tylko wtedy, gdy osoba je obsługująca jest w odpowiedniej formie fizycznej.** W przypadku zmęczenia koncentracja operatora jest obniżona. Zachować szczególną ostrożność pod koniec dnia roboczego. Wszelkie czynności powinny być wykonywane spokojnie i ostrożnie. Użytkownik odpowiada za wszelkie szkody wyrządzone osobom trzecim.
5. **Zabrania się używania narzędzia po spożyciu alkoholu, narkotyków lub leków.**
6. **Rękawice robocze z grubej skóry należą do podstawowego wyposażenia podczas pracy z narzędziem i zawsze należy je nosić.** Należy też nosić mocne buty z antypoślizgowymi podeszwami.
7. **Przed rozpoczęciem pracy należy się upewnić, że narzędzie jest w dobrym i zapewniającym bezpieczeństwo stanie.** Należy sprawdzić, czy osłony są zamocowane prawidłowo. Narzędzia nie wolno używać, jeśli nie zostało całkowicie zmontowane.

Obsługa

1. **Narzędzie podczas pracy należy trzymać pewnie i oburącz.**
2. **Operator używający narzędzia powinien znajdować się na poziomie podłoża.** Nie można używać narzędzia na drabinie lub innej niestabilnej podporze.
3. **NIEBEZPIECZEŃSTWO - Nie wolno zbliżać rąk do ostrza.** Kontakt z ostrzem może spowodować poważne obrażenia ciała.
4. **Przed rozpoczęciem pracy należy sprawdzić, czy grunt pod nogami jest pewny.**
5. **Nie należy bez potrzeby uruchamiać narzędzia bez obciążenia.**
6. **Kiedy ostrza nożyc zetkną się z elementami ogrodzenia lub innym twardym przedmiotem, należy natychmiast wyłączyć urządzenie i wyjąć akumulator.** Sprawdzić, czy ostrza nie zostały uszkodzone, i w razie potrzeby natychmiast je wymienić.
7. **Przed sprawdzeniem ostrzy nożyc, usunięciem uszkodzeń lub materiału zablokowanego w ostrzach nożyc narzędzie należy zawsze wyłączyć i wyjąć akumulator.**
8. **Nigdy nie kierować ostrzy nożyc w swoją stronę ani w stronę innych osób.**
9. **Jeśli podczas pracy ostrza przestaną się poruszać z powodu utknięcia między nimi przedmiotów obcych, należy wyłączyć narzędzie, wyjąć akumulator, a następnie usunąć przedmioty obce za pomocą odpowiednich narzędzi, takich jak szczypce.** Wyjmowanie przedmiotów obcych dłonią grozi odniesieniem obrażeń, ponieważ ostrza mogą poruszyć się w reakcji na usunięcie przedmiotu obcego.

10. Podczas używania narzędzia na błotnistym gruncie, mokrym zboczku lub śliskiej nawierzchni należy zwracać szczególną uwagę na utrzymanie stabilności.
11. Nie zanurzać narzędzia w kałużach.
12. Nie pozostawiać narzędzia bez nadzoru na zewnątrz podczas deszczu.

Zasady bezpieczeństwa dotyczące urządzeń elektrycznych i akumulatora

1. Unikać niebezpiecznych warunków pracy. Nie wolno używać narzędzia w otoczeniu wilgotnym lub mokrym ani narażać go na działanie deszczu. Woda, która dostanie się do wnętrza narzędzia, zwiększa ryzyko porażenia prądem elektrycznym.
2. Nie wyrzucać akumulatorów do ognia. Ogniu może eksplodować. Należy zapoznać się z obowiązującymi lokalnie przepisami, które określają specjalne wytyczne dotyczące utylizacji odpadów.
3. Nie wolno otwierać ani niszczyć akumulatorów. Uwolniony elektrolit jest substancją żrącą, która może spowodować uszkodzenie oczu lub skóry. W przypadku połknięcia może być trujący.
4. Akumulatora nie należy ładować w deszczu ani w wilgotnym otoczeniu.
5. Nie ładować akumulatora na zewnątrz.
6. Nie dotykać ładowarki, w tym jej wtyczki i styków, mokrymi rękami.
7. Nie wymieniać akumulatora mokrymi rękami.
8. Nie wymieniać akumulatora w deszczu.
9. Nie dopuszczać do zmożenia styków akumulatora cieczami, np. wodą, ani nie zanurzać akumulatora. Nie pozostawiać akumulatora w deszczu oraz nie ładować, nie używać ani nie przechowywać akumulatora w wilgotnym lub mokrym miejscu. Jeśli styk zamoknie lub do wnętrza akumulatora dostanie się ciecz, może dojść do zwarcia akumulatora, co grozi przegrzaniem, zapłonem lub wybuchem.
10. Po wyjęciu akumulatora z narzędzia lub ładowarki należy koniecznie przymocować do akumulatora jego pokrywę i umieścić akumulator w suchym miejscu.
11. W przypadku zamoczenia akumulatora usunąć znajdującą się w środku wodę i wytrzeć suchą szmatką. Przed użyciem całkowicie wysuszyć akumulator, pozostawiając go w suchym miejscu.

Konserwacja i przechowywanie

1. Przed przystąpieniem do jakichkolwiek prac konserwacyjnych należy wyłączyć narzędzie i wyjąć akumulator.
2. Przed przeniesieniem narzędzia na inne miejsce, także podczas pracy, należy wyjąć akumulator i założyć osłonę na ostrza nożyc. Nie wolno prznosić ani przewozić narzędzia, gdy ostrza są w ruchu. Nigdy nie chwycić ostrzy rękami.
3. Narzędzie, a zwłaszcza ostrza nożyc, należy wyzcisnąć po pracy, a także przed odłożeniem do przechowywania na dłuższy okres. Ostrza należy lekko naoliwić i nałożyć na nie osłonę.
4. Narzędzie należy przechowywać w suchym pomieszczeniu, z założoną na ostrza osłoną. Narzędzie należy przechowywać w niedostępnym dla dzieci miejscu. Narzędzia nie wolno przechowywać na zewnątrz pomieszczeń.

5. Nie wolno wyrzucać akumulatorów do ognia. Ogniu może eksplodować. Należy zapoznać się z obowiązującymi lokalnie przepisami, które określają specjalne wytyczne dotyczące pozbywania się odpadów.
6. Nie wolno otwierać ani niszczyć akumulatorów. Uwolniony elektrolit jest substancją żrącą, która może spowodować uszkodzenie oczu lub skóry. Może być on trujący w razie połknięcia.
7. Akumulatora nie należy ładować w deszczu ani w wilgotnym otoczeniu.
8. Narzędzie powinno być przechowywane w miejscu nienarażonym na bezpośrednie nasłonecznienie, deszcz, nadmierny wzrost temperatury lub zawilgocenie.

ZACHOWAĆ NINIEJSZE INSTRUKCJE.

⚠️ OSTRZEŻENIE: NIE WOLNO pozwolić, aby wygoda lub rutyna (nabyta w wyniku wielokrotnego używania urządzenia) zastąpiły ścisłe przestrzeganie zasad bezpieczeństwa obsługi. **NIEWŁAŚCIWE UŻYTKOWANIE** narzędzia lub niestosowanie się do zasad bezpieczeństwa podanych w niniejszej instrukcji obsługi może prowadzić do poważnych obrażeń ciała.

Ważne zasady bezpieczeństwa dotyczące akumulatora

1. Przed użyciem akumulatora zapoznać się ze wszystkimi instrukcjami i znakami ostrzegawczymi na (1) ładowarce, (2) akumulatorze i (3) produkcie, w którym będzie używany akumulator.
2. Nie rozmontowywać ani modyfikować akumulatora. Może to spowodować pożar, przegrzanie lub wybuch.
3. Jeśli czas działania uległ znacznemu skróceniu, należy natychmiast przerwać pracę. Może bowiem dojść do przegrzania, ewentualnych poparzeń, a nawet eksplozji.
4. W przypadku przedostania się elektrolitu do oczu, przemyć je czystą wodą i niezwłocznie uzyskać pomoc lekarską. Może on bowiem spowodować utratę wzroku.
5. Nie doprowadzać do zwarcia akumulatora:
 - (1) Nie dotykać styków materiałami przewodzącymi prąd.
 - (2) Unikać przechowywania akumulatora w pojemniku z metalowymi przedmiotami, takimi jak gwoździe, monety itp.
 - (3) Chronić akumulator przed deszczem lub wodą.
 Zwarcie prowadzi do przepływu prądu elektrycznego o dużym natężeniu i przegrzania akumulatora, co w konsekwencji może grozić poparzeniami a nawet awarią urządzenia.
6. Narzędzia i akumulatora nie wolno przechowywać ani używać w miejscach, w których temperatura osiąga bądź przekracza 50°C (122°F).
7. Akumulatorów nie wolno spalać, również tych poważnie uszkodzonych lub całkowicie zużytych. Akumulator może eksplodować w ogniu.

8. **Nie należy przecinać ani zgniatać akumulatora, wbijać w niego gwoździ, rzucać nim, upuszczać, ani uderzać akumulatorem o twarde objekty.** Takie działania może spowodować pożar, przegrzanie lub wybuch.
9. **Nie wolno używać uszkodzonego akumulatora.**
10. **Stanowiące wyposażenie akumulatory litowo-jonowe podlegają przepisom dotyczącym produktów niebezpiecznych.**
Na potrzeby transportu komercyjnego, np. świadczącego przez firmy trzecie czy spedycyjne, należy przestrzegać specjalnych wymagań w zakresie pakowania i oznaczania etykietami. Przygotowanie produktu do wysyłki wymaga skonsultowania się ze specjalistą ds. materiałów niebezpiecznych. Należy także przestrzegać przepisów krajowych, które mogą być bardziej szczegółowe. Zakleić taśmą lub zaślepić otwarte styki akumulatora oraz zabezpieczyć go, aby nie mógł się przesuwać w opakowaniu.
11. **Jeśli zajdzie konieczność utylizacji akumulatora, należy wyjąć go z narzędzia i przekazać w bezpieczne miejsce. Postępować zgodnie z przepisami lokalnymi dotyczącymi utylizacji akumulatorów.**
12. **Używać akumulatorów tylko z produktami określonymi przez firmę Makita.** Zastosowanie akumulatorów w niezgodnych produktach może spowodować pożar, przegrzanie, wybuch lub wyciek elektrolitu.
13. **Jeśli narzędzie nie będzie używane przez dłuższy czas, należy wyjąć z niego akumulator.** Przed użyciem akumulatora i po jego użyciu akumulator może pozostawać nagrzany, co może spowodować poparzenia lub poparzenia w niskiej temperaturze. Z gorącym akumulatorem należy obchodzić się ostrożnie.
15. **Nie należy dotykać styku narzędzia bezpośrednio po jego użyciu, ponieważ może on być na tyle gorący, że spowoduje oparzenia.**
16. **Nie należy dopuszczać, aby wióry, kurz lub brud gromadziły się na stykach, w otworach i rowkach akumulatora.** Może to doprowadzić do przegrzania, pożaru, wybuchu lub uszkodzenia narzędzia lub akumulatora, co może spowodować oparzenia lub obrażenia ciała.
17. **Jeśli narzędzie nie jest przeznaczone do użytku w pobliżu linii wysokiego napięcia, nie należy korzystać z akumulatora w ich sąsiedztwie.** Może to spowodować nieprawidłowości w działaniu lub uszkodzenie narzędzia lub akumulatora.
18. **Przechowywać akumulator w miejscu niedostępnym dla dzieci.**

ZACHOWAĆ NINIEJSZE INSTRUKCJE.

⚠ PRZESTROGA: Używać wyłącznie oryginalnych akumulatorów firmy Makita. Używanie nieoryginalnych akumulatorów firm innych niż Makita lub akumulatorów, które zostały zmodyfikowane, może spowodować wybuch akumulatora i pożar, obrażenia ciała oraz zniszczenie mienia. Stanowi to również naruszenie warunków gwarancji firmy Makita dotyczących narzędzia i ładowarki.

Wskazówki dotyczące zachowania maksymalnej trwałości akumulatora

1. **Akumulator należy naładować zanim zostanie do końca rozładowany.** Po zauważeniu spadku mocy narzędzia należy przerwać pracę i naładować akumulator.
2. **Nie wolno ładować powtórnie w pełni naładowanego akumulatora.** Przeladowanie akumulatora skraca jego trwałość.
3. **Akumulator należy ładować w temperaturze pokojowej w przedziale 10–40°C (50–104°F).** W przypadku gorącego akumulatora przed przystąpieniem do ładowania należy poczekać, aż ostygnie.
4. **Jeśli akumulator nie jest używany, należy go wyjąć z narzędzia lub ładowarki.**
5. **Akumulatory niklowo-wodorkowe należy naładować po okresie długiego nieużytkowania (dłuższego niż sześć miesięcy).**

OPIS DZIAŁANIA

⚠ PRZESTROGA: Przed przystąpieniem do regulacji lub przeglądu narzędzia upewnij się, że jest ono wyłączone, a akumulator został wyjęty.

Wkładanie i wyjmowanie akumulatora

⚠ PRZESTROGA: Przed włożeniem lub wyjęciem akumulatora należy zawsze wyłączyć narzędzie.

⚠ PRZESTROGA: Podczas wkładania lub wyjmowania akumulatora należy mocno trzymać narzędzie i akumulator. W przeciwnym razie mogą się one wyślizgnąć z rąk, powodując uszkodzenie narzędzia lub akumulatora i obrażenia ciała.

► **Rys.1:** 1. Czerwony wskaźnik 2. Przycisk 3. Akumulator

Aby wyjąć akumulator, przesuń przycisk znajdujący się w przedniej jego części i wysuń akumulator.

Aby włożyć akumulator, wyrównać występ na akumulatorze z rowkiem w obudowie i wsunąć go na swoje miejsce. Akumulator należy wsunąć do oporu, aż się zatrzaśnie na miejscu, co jest sygnalizowane delikatnym kliknięciem. Jeśli jest widoczny czerwony wskaźnik pokazany na rysunku, akumulator nie został całkowicie zablokowany.

⚠ PRZESTROGA: Akumulator należy włożyć do końca, tak aby czerwony wskaźnik nie był widoczny. W przeciwnym razie może przypadkowo wypaść z narzędzia, powodując obrażenia operatora lub osób postronnych.

⚠ PRZESTROGA: Nie wkładać akumulatora na siłę. Jeśli akumulator nie daje się swobodnie wsunąć, oznacza to, że został włożony nieprawidłowo.

Wskazanie stanu naładowania akumulatora

Nacisnąć przycisk kontrolny na akumulatorze w celu wyświetlenia stanu naładowania akumulatora. Lampki wskaźnika zaświecą się przez kilka sekund.

► **Rys.2:** 1. Lampki wskaźnika 2. Przycisk kontrolny

Lampki wskaźnika			Pozostała energia akumulatora	
Świeci się	Wyłączony	Miga		
■	□	▧	75–100%	
■ ■ ■ ■				
■ ■ ■ □				50–75%
■ ■ □ □				25–50%
■ □ □ □				0–25%
▧ □ □ □				Naładować akumulator.
■ ■ □ □			Akumulator może nie działać poprawnie.	
□ □ ■ ■	↑ ↓			

WSKAZÓWKA: Zależnie od warunków użytkowania i temperatury otoczenia, wskazywany poziom może nieznacznie się różnić od rzeczywistego stanu naładowania akumulatora.

WSKAZÓWKA: Pierwsza (skrajnie po lewej stronie) lampka wskaźnika miga, gdy układ zabezpieczenia akumulatora jest aktywny.

Układ zabezpieczenia narzędzia/akumulatora

Narzędzie jest wyposażone w układ zabezpieczenia narzędzia/akumulatora. Układ automatycznie odcina zasilanie silnika w celu wydłużenia trwałości narzędzia i akumulatora. Narzędzie zostanie automatycznie zatrzymane podczas pracy w następujących sytuacjach związanych z narzędziem:

► **Rys.3:** 1. Kontrolka ostrzegawcza

Kontrolka ostrzegawcza			Stan
Kolor	● Wi.	● Miga	
Zielona		●	Przeciążenie
Czerwona	● (narzędzie) / ● (akumulator)		Przegrzanie
Czerwona		●	Całkowite rozładowanie

UWAGA: W zależności od warunków eksploatacji w przypadku zaplątania się w narzędzie gałęzi lub innych zanieczyszczeń narzędzie zostanie automatycznie zatrzymane bez ostrzeżenia. W takim przypadku należy wyłączyć narzędzie i wyjąć akumulator, a następnie wyjąć zaplątane gałęzie lub zanieczyszczenia, używając odpowiednich narzędzi, na przykład szczypic. Po wyjęciu gałęzi lub zanieczyszczeń należy zamontować akumulator i ponownie uruchomić narzędzie.

Zabezpieczenie przed przeciążeniem

W przypadku przeciążenia narzędzia lub akumulatora na skutek zaplątania gałęzi lub innych zanieczyszczeń narzędzie zostanie automatycznie zatrzymane, a lampka ostrzegawcza zacznie migać na zielono.

W takiej sytuacji należy wyłączyć narzędzie i zaprzestać wykonywania czynności powodującej przeciążenie narzędzia. Następnie należy włączyć narzędzie w celu jego ponownego uruchomienia.

Zabezpieczenie przed przegrzaniem narzędzia lub akumulatora

W przypadku przegrzania narzędzia lub akumulatora narzędzie wyłączy się automatycznie. Gdy narzędzie jest przegrzane, kontrolka ostrzegawcza świeci na czerwono. Gdy akumulator jest przegrzany, kontrolka ostrzegawcza miga na czerwono. Przed ponownym włączeniem należy poczekać, aż narzędzie i/lub akumulator ostygną.

Zabezpieczenie przed nadmiernym rozładowaniem

W przypadku niskiego stanu naładowania akumulatora narzędzie zostanie automatycznie zatrzymane, a kontrolka ostrzegawcza zacznie migać na czerwono. Jeśli narzędzie nie działa pomimo użycia przełączników, z narzędzia należy wyjąć akumulator i naładować go.

Inne zabezpieczenia

Układ zabezpieczający jest także przeznaczony do ochrony przed innymi czynnikami, które mogłyby doprowadzić do uszkodzenia narzędzia, i umożliwia automatyczne zatrzymanie narzędzia. Należy wykonać poniższe kroki, aby usunąć przyczyny tymczasowego wstrzymania lub zatrzymania pracy narzędzia.

1. Wyłączyć narzędzie, a następnie włączyć je ponownie w celu zrestartowania.
2. Naładować akumulator(y) lub wymienić akumulator(y) na naładowany(-e).
3. Pozostawić narzędzie i akumulator(y) do ostygnięcia.

Jeśli przywrócenie działania układu zabezpieczającego nie przynosi pozytywnych efektów, należy skontaktować się z centrum serwisowym Makita.

Działanie wyłącznika zasilania

⚠ OSTRZEŻENIE: Ze względów bezpieczeństwa narzędzie jest wyposażone w dźwignię, która zapobiega przypadkowemu uruchomieniu narzędzia. **NIE WOLNO** używać narzędzia, jeśli można je uruchomić tylko za pomocą spustów przełącznika bez uprzedniego wciśnięcia dźwigni. **PRZED** dalszym użytkowaniem narzędzia należy przekazać je do naszego autoryzowanego punktu serwisowego w celu naprawy.

⚠ OSTRZEŻENIE: **NIE WOLNO** zaklejać dźwigni taśmą ani w inny sposób uniemożliwiać jej działania.

⚠ OSTRZEŻENIE: Przed włożeniem akumulatora do narzędzia należy zawsze sprawdzić, czy spusty przełącznika i dźwignia działają prawidłowo oraz czy wracają do położenia wyłączenia po zwolnieniu. Korzystanie z narzędzia z nieprawidłowo działającym przełącznikiem może doprowadzić do utraty kontroli nad narzędziem oraz poważnych obrażeń ciała.

⚠ PRZESTROGA: Nigdy nie dotykać palcem spustów przełącznika podczas przenoszenia. Narzędzie może zostać przypadkowo uruchomione i spowodować obrażenia ciała.

UWAGA: Nie ciągnąć na siłę spustu przełącznika bez wcześniejszego wciśnięcia dźwigni. Można w ten sposób złamać przełącznik.

Aby wyłączyć narzędzie, należy nacisnąć główny przycisk zasilania. Aby wyłączyć narzędzie, należy nacisnąć główny przycisk zasilania i przytrzymać go do momentu, aż wskaźniki prędkości zgasną.

► **Rys.4:** 1. Główny przycisk zasilania

WSKAZÓWKA: Kontrolka ostrzegawcza będzie migać w przypadku pociągnięcia spustu przełącznika, gdy warunki uniemożliwiają uruchomienie narzędzia. Kontrolka ostrzegawcza będzie migać, gdy zostanie włączony główny przełącznik zasilania przy wciśniętej dźwigni i wciśniętym spuście przełącznika.

WSKAZÓWKA: To narzędzie jest wyposażone w funkcję automatycznego wyłączania. Aby nie dopuścić do przypadkowego uruchomienia, główny przełącznik zasilania automatycznie wyłącza narzędzie, jeśli spust przełącznika nie zostanie pociągnięty przez określony czas od włączenia głównego przełącznika zasilania.

Aby nie dopuścić do przypadkowego pociągnięcia spustu przełącznika, narzędzie jest wyposażone w dźwignię. Aby uruchomić narzędzie, należy pociągnąć przedni spust przełącznika, a następnie pociągnąć za tylny spust przełącznika, naciskając jednocześnie dźwignię. Zwolnienie któregokolwiek ze spustów przełącznika spowoduje zatrzymanie narzędzia.

► **Rys.5:** 1. Dźwignia 2. Tylny spust przełącznika
3. Przedni spust przełącznika

Regulacja prędkości

Istnieje możliwość regulacji prędkości poprzez naciskanie głównego przycisku zasilania. Każde naciśnięcie głównego przycisku zasilania powoduje zmianę poziomu prędkości.

► **Rys.6:** 1. Wskaźnik prędkości 2. Główny przycisk zasilania

Wskaźnik prędkości	Tryb	Szybkość oscylacji
3  2  1 	Wysoka	5 000 min ⁻¹
3  2  1 	Średnia	3 600 min ⁻¹
3  2  1 	Niska	2 000 min ⁻¹

Przycisk obrotów wstecznych do usuwania zanieczyszczeń

⚠ OSTRZEŻENIE: Jeśli zaplątanych gałęzi i zanieczyszczeń nie można usunąć poprzez zmianę kierunku ruchu ostrzy, należy wyłączyć narzędzie i wyjąć akumulator, a następnie usunąć zaplątane gałęzie lub zanieczyszczenia, używając odpowiednich narzędzi, na przykład szczypiec. Jeśli narzędzie nie zostanie wyłączone oraz nie zostanie wyjęty akumulator, może to spowodować poważne obrażenia ciała w wyniku przypadkowego uruchomienia. Ręczne usuwanie zaplątanych gałęzi lub zanieczyszczeń może doprowadzić do obrażeń, ponieważ czynność ta może spowodować ruch ostrzy nożyc.

Narzędzie jest wyposażone w przycisk zmiany kierunku, który umożliwia zmianę kierunku ruchu ostrzy nożyc. Przycisk ten służy wyłącznie do usuwania gałęzi i zanieczyszczeń zaplątanych w narzędziu.

W celu zmiany kierunku ruchu ostrzy nożyc należy nacisnąć przycisk obrotów wstecznych po zatrzymaniu ostrzy, pociągnąć przedni spust przełącznika, a następnie pociągnąć tylny spust przełącznika, jednocześnie naciskając dźwignię. Wskaźniki prędkości zaczną migać, a ostrza nożyc będą się poruszać w kierunku odwrotnym. Gdy zaplątane gałęzie i zanieczyszczenia zostaną usunięte, narzędzie wróci do standardowego ruchu, a wskaźniki prędkości przestaną migać i zaczną świecić światłem ciągłym.

► **Rys.7:** 1. Wskaźnik prędkości 2. Przycisk obrotów wstecznych

WSKAZÓWKA: Jeśli usunięcie zaplątanych gałęzi i zanieczyszczeń jest niemożliwe, wówczas należy zwolnić spusty przełącznika, następnie nacisnąć przycisk obrotów wstecznych, a potem pociągnąć spusty przełącznika do czasu usunięcia gałęzi.

WSKAZÓWKA: Naciśnięcie przycisku zmiany kierunku w momencie, gdy ostrza nożyc poruszają się, spowoduje zatrzymanie się narzędzia i ustawienie go w trybie gotowości do pracy w kierunku przeciwnym.

Funkcja regulacji elektronicznej

Narzędzie jest wyposażone w funkcje regulacji elektronicznej ułatwiające jego obsługę.

- Kontrola stałej prędkości
Funkcja regulacji prędkości zapewnia stałą prędkość obrotową niezależnie od warunków obciążenia.
- Hamulec elektryczny
Narzędzie jest wyposażone w hamulec elektryczny. Jeśli po zwolnieniu spustu przełącznika ostrza nożyc często nie zostają szybko zatrzymane, należy przekazać narzędzie do naprawy w autoryzowanym centrum serwisowym Makita.
- Funkcja zapobiegająca przypadkowemu uruchomieniu
Nawet jeśli akumulator zostanie włożony do narzędzia przy pociągniętym spuście przełącznika, narzędzie nie uruchomi się. Aby uruchomić narzędzie, najpierw należy zwolnić spust przełącznika, a następnie pociągnąć za niego.

MONTAŻ

▲PRZESTROGA: Przed przystąpieniem do prac konserwacyjnych przy narzędziu upewnij się, że jest ono wyłączone, a akumulator został wyjęty.

▲PRZESTROGA: Podczas wymiany ostrzy nożyc należy zawsze nosić rękawice, aby nie dotykać ich bezpośrednio.

UWAGA: Podczas wymiany ostrzy nożyc nie wycierać smaru z przekładni ani z mimośrodów.

Montaż lub demontaż ostrzy nożyc

▲PRZESTROGA: Przed założeniem lub zdjęciem ostrzy nożyc należy założyć osłonę nożyc.

Na narzędziu można zamontować ostrza nożyc 600 mm lub 750 mm.

WSKAZÓWKA: Po wymianie ostrzy nożyc na ostrza innej długości należy wymienić pojemnik na ścinki na taki, który odpowiada nowej długości ostrzy.

1. Wykręcić cztery śruby (model UH013G) lub pięć śrub (model UH014G), a następnie wyjąć pojemnik na ścinki z narzędzia.

Model UH013G

- **Rys.8:** 1. Pojemnik na ścinki 2. Śruba nieprzelotowa

Model UH014G

- **Rys.9:** 1. Pojemnik na ścinki 2. Śruba nieprzelotowa

2. Położyć narzędzie dołem do góry, a następnie wymontować sześć śrub.

- **Rys.10:** 1. Śruba przelotowa

3. Zdjąć pokrywę i płytkę.
► **Rys.11:** 1. Pokrywa 2. Płytką

WSKAZÓWKA: Płyta może pozostać w osłonie.

4. Zdjąć cięgło i łożysko.
► **Rys.12:** 1. Cięgło 2. Łożysko

WSKAZÓWKA: Cięgło i łożysko mogą pozostać w osłonie.

5. Wykręcić trzy śruby, trzy tuleje i wymontować krążek filcowy, a następnie wymontować ostrza nożyc.
► **Rys.13:** 1. Śruba 2. Tuleja 3. Krążek filcowy 4. Ostrza nożyc

UWAGA: Uważać, aby nie zgubić śrub.

6. Zdjąć osłonę z ostrzy i założyć ją na nowe ostrza nożyc.
► **Rys.14**

7. Wyrównać mimośród w taki sposób, aby dwa otwory znalazły się na linii ustawczej.
► **Rys.15:** 1. Otwór 2. Linia ustawcza

8. Wyrównać występy na ostrzach nożyc w pionie.
► **Rys.16:** 1. Występ

9. Włożyć śrubę wykręconą w kroku 5 do otworów w osłonie ostrza i na ostrzach nożyc, aby tymczasowo unieruchomić ostrza nożyc, a następnie zamontować krążek filcowy na ostrzach nożyc.
► **Rys.17:** 1. Śruba nieprzelotowa 2. Krążek filcowy 3. Otwór

10. Wprowadzić występ ostrza nożyc do otworu cięgła, następnie wyrównać pozycję krążka filcowego z otworami w narzędziu. Założyć dwie nowe tuleje.
► **Rys.18:** 1. Krążek filcowy 2. Występ 3. Otwór 4. Tuleja

UWAGA: Nanieść niewielką ilość smaru na wewnętrzny obwód otworu cięgła.

UWAGA: Uważać, aby nie zgubić tulei.

11. Wyrównać otwory w tulejach i ostrzach nożyc z otworami narzędzia, a następnie dokręcić dwie śruby, aby tymczasowo unieruchomić ostrza nożyc.
► **Rys.19:** 1. Śruba

12. Wykręcić śrubę włożoną do otworu w ostrzach nożyc w kroku 9, a następnie przesunąć osłonę ostrza.
► **Rys.20:** 1. Śruba

13. Zamontować nową tuleję.
► **Rys.21:** 1. Tuleja

14. Dokręcić śrubę razem z tuleją, aby zamocować ostrza nożyc.
► **Rys.22:** 1. Śruba

15. Mocno dokręcić śruby nieprzelotowe, które zamontowano tymczasowo w kroku 11.

16. Zamocować łożysko i cięgło.
► **Rys.23:** 1. Cięgło 2. Mały otwór 3. Łożysko

UWAGA: Nanieść niewielką ilość smaru na wewnętrzny obwód małego otworu cięgła.

UWAGA: Upewnij się, że występ ostrza nożyc znajduje się w małym otworze cięgła.

17. Zamocować płytkę.

► **Rys.24:** 1. Występ 2. Płytką

UWAGA: Upewnić się, że występ ostrza nożyc znajduje się w otworze na płycie.

18. Zamocować pokrywę, a następnie dokręcić sześć śrub.

► **Rys.25:** 1. Śruba przelotowa 2. Pokrywa

19. Przymocować pojemnik na ścinki do narzędzia, dokręcając cztery śruby (model UH013G) lub pięć śrub (model UH014G).

Model UH013G

► **Rys.26:** 1. Pojemnik na ścinki 2. Śruba nieprzelotowa

Model UH014G

► **Rys.27:** 1. Pojemnik na ścinki 2. Śruba nieprzelotowa

UWAGA: Jeśli ostrza nożyc nie przesuwają się płynnie, oznacza to, że nie są właściwie połączone z cięgłami. Należy ponownie założyć ostrza nożyc.

UWAGA: Jeśli inne części niż ostrza nożyc, takie jak cięgła, ulegną zużyciu, należy zwrócić się do autoryzowanego centrum serwisowego firmy Makita z prośbą o wymianę części lub dokonanie naprawy.

Zdejmowanie i zakładanie pojemnika na ścinki

PRZESTROGA: Podczas instalacji lub demontażu pojemnika na ścinki należy zawsze nosić rękawice, aby nie dotykać bezpośrednio ostrzy nożyc.

Pojemnik na ścinki odbiera odrzucone liście i znacznie ułatwia późniejsze sprzątnięcie.

Aby zdjąć pojemnik na ścinki, należy wykręcić cztery śruby (model UH013G) lub pięć śrub (model UH014G), a następnie wyjąć pojemnik na ścinki z narzędzia. Aby założyć pojemnik na ścinki, należy wykonać czynności procedury zdejmowania w odwrotnej kolejności.

Model UH013G

► **Rys.28:** 1. Pojemnik na ścinki 2. Śruba nieprzelotowa

Model UH014G

► **Rys.29:** 1. Pojemnik na ścinki 2. Śruba nieprzelotowa

OBSŁUGA

OSTRZEŻENIE: Trzymać ręce z dala od ostrzy nożyc.

PRZESTROGA: W miarę możliwości należy unikać używania narzędzia przy wysokiej temperaturze otoczenia. Podczas obsługi narzędzia należy zwracać uwagę na swój stan fizyczny.

PRZESTROGA: Podczas przycinania należy uważać, aby nie dotknąć metalowego ogrodzenia lub innych twardych przedmiotów. Ostrza nożyc mogą się złamać i spowodować obrażenia ciała.

PRZESTROGA: Zachować ostrożność, aby nie dopuścić do zetknięcia się ostrzy nożyc z gruntem. Narzędzie może odskoczyć i spowodować obrażenia ciała.

PRZESTROGA: Podczas przycinania sięganie zbyt daleko, zwłaszcza gdy pracuje się na drabinie, może być bardzo niebezpieczne. Podczas pracy nie wolno stać na niczym chwiejnym lub niestabilnym.

UWAGA: Nie wolno próbować przycinania tym narzędziem gałęzi grubszych niż 10 mm. Przed użyciem tego narzędzia należy przyciąć gałęzie na długość o 10 cm mniejszą niż wysokość cięcia za pomocą sekatora do gałęzi.

► **Rys.30:** (1) Wysokość cięcia (2) 10 cm

UWAGA: Nie wolno też ciąć suchych gałęzi ani innych twardych przedmiotów. Może to spowodować uszkodzenie narzędzia.

UWAGA: Nie ścinać trawy ani chwastów za pomocą ostrzy nożyc. Ostrza nożyc mogą się zaplątać w trawie lub w chwastach.

Trzymać przedni uchwyt prawą ręką, a uchwyt tylny lewą ręką. Pociągnąć przedni spust przełącznika, później pociągnąć tylny spust przełącznika, naciskając jednocześnie dźwignię, a następnie przesunąć narzędzie do przodu.

► **Rys.31**

Stosując podstawową metodę pracy, należy pochylić ostrza nożyc w kierunku przycinania i przesunąć je spokojnie i powoli, z szybkością jednego metra na 3 do 4 s.

► **Rys.32**

Aby równo przyciąć szczyt żywopłotu, należy zawiesić sznurek na żądanej wysokości i ciąć wzdłuż niego.

► **Rys.33**

Pojemnik na ścinki odbiera odrzucone liście i znacznie ułatwia późniejsze sprzątnięcie.

► **Rys.34**

Równe przycięcie boku żywopłotu osiągamy, przycinając go od dołu do góry.

► **Rys.35**

Podczas przycinania w celu uzyskania zaokrąglonych kształtów (strzyżenie bukszpanu lub rododendronu) o atrakcyjnym wyglądzie należy ciąć od korzeni do wierzchołka.

► **Rys.36**

KONSERWACJA

⚠ PRZESTROGA: Przed przystąpieniem do przeglądu narzędzia lub jego konserwacji upewnić się, że jest ono wyłączone, a akumulator wyjęty.

W celu zachowania odpowiedniego poziomu BEZPIECZEŃSTWA i NIEZAWODNOŚCI produktu wszelkie naprawy i różnego rodzaju prace konserwacyjne lub regulacje powinny być przeprowadzane przez autoryzowany lub fabryczny punkt serwisowy narzędzi Makita, zawsze z użyciem oryginalnych części zamiennej Makita.

Czyszczenie narzędzia

Czyścić narzędzie, wycierając kurz suchą szmatką lub szmatką zanurzoną wcześniej w roztworze wodnym mydła i wyżętą.

UWAGA: Nie stosować benzyny, rozpuszczalników, alkoholu itp. środków. Mogą one powodować odbarwienia, odkształcenia lub pęknięcia.

Konserwacja ostrzy nożyc

Przed rozpoczęciem pracy lub po każdej przepracowanej godzinie zwilżyć ostrza nożyc olejem o niskiej lepkości (olejem maszynowym lub olejem smarnym w aerozolu).

► Rys.37

Po zakończeniu pracy należy drucianą szczotką usunąć kurz z ostrzy nożyc, przetrzeć je szmatką, a następnie zwilżyć olejem o niskiej lepkości (olejem maszynowym lub olejem smarnym w aerozolu).

► Rys.38

UWAGA: Ostrzy nożyc nie wolno myć wodą. Takie mycie może spowodować korozję lub uszkodzenie narzędzia.

UWAGA: Zanieczyszczenia i korozja powodują nadmierne tarcie podczas pracy ostrza i skracają czas eksploatacji między ładowaniami akumulatora.

Przechowywanie

Otwór zaczepu na spodzie narzędzia służy do zawieszenia go na ścianie.

Wyciągnąć akumulator z narzędzia, a następnie założyć na ostrza nożyc osłonę, by nie były one odsłonięte. Narzędzie należy przechowywać w bezpiecznym, niedostępnym dla dzieci miejscu. Miejsce przechowywania narzędzia powinno być suche.

► Rys.39: 1. Otwór

Ostrzenie ostrzy nożyc

UWAGA: Jeśli na skutek ostrzenia ostrza nożyc są poważnie zdeformowane, należy je wymienić na nowe.

1. Zamontować akumulator w narzędziu.
2. Włączyć i uruchomić narzędzie. Następnie ustawić górne i dolne ostrze w taki sposób, aby się ze sobą nie pokrywały.
► Rys.40
3. Wyłączyć narzędzie i wyjąć z niego akumulator.
4. Ustawić pilnik pod kątem 45° i ostrzyć górne ostrze pilnikiem z 3 kierunków.
► Rys.41: (1) Pilnik (2) 45°

⚠ PRZESTROGA: Przed rozpoczęciem ostrzenia upewnić się, że narzędzie jest wyłączone, a akumulator wyjęty z narzędzia.

5. Ustawić narzędzie dołem do góry, a następnie usunąć zadziory z ostrzy nożyc za pomocą osetki.
► Rys.42: 1. Osetka
6. Ustawić pilnik pod kątem 45° i ostrzyć dolne ostrze pilnikiem z 3 kierunków.
7. Przywrócić narzędzie do normalnego położenia, a następnie usunąć zadziory z ostrzy nożyc za pomocą osetki.

Smarowanie

Częstotliwość smarowania: Co 50 godzin pracy

1. Wyciągnąć śrubę z otworu do smarowania.
► Rys.43: 1. Śruba przelotowa
2. Zdjąć korek z pojemnika ze smarem. Dopasować wylot pojemnika ze smarem do otworu na osłonie, a następnie docisnąć pojemnik ze smarem do otworu.
► Rys.44: 1. Pojemnik ze smarem 2. Otwór
3. Wprowadzić smar do narzędzia (w przybliżeniu należy wprowadzić około 5 g).
4. Dokręcić śrubę.

ROZWIĄZYWANIE PROBLEMÓW

Przed oddaniem urządzenia do naprawy należy najpierw przeprowadzić samodzielną kontrolę. W razie napotkania problemu, który nie został wyjaśniony w instrukcji, nie należy próbować demontować urządzenia we własnym zakresie. Należy natomiast zlecić naprawę w autoryzowanym punkcie serwisowym firmy Makita; zawsze z użyciem oryginalnych części zamiennych Makita.

Nieprawidłowe działanie	Prawdopodobna przyczyna (usterka)	Rozwiązanie
Silnik nie działa.	Nie włożono akumulatora.	Włożyć akumulator.
	Problem z akumulatorem (za niskie napięcie)	Naładować akumulator. Jeżeli ładowanie akumulatora nie przynosi skutku, należy go wymienić.
	Układ napędowy nie działa prawidłowo.	Zlecić naprawę w lokalnym autoryzowanym punkcie serwisowym.
Silnik wyłącza się po krótkim czasie.	Niski poziom naładowania akumulatora.	Naładować akumulator. Jeżeli ładowanie akumulatora nie przynosi skutku, należy go wymienić.
	Przegrzanie.	Przerwać pracę, aby narzędzie ostygło.
Narzędzie nie osiąga maksymalnej prędkości obrotowej.	Akumulator został włożony nieprawidłowo.	Włożyć akumulator zgodnie z opisem w niniejszej instrukcji.
	Spada moc akumulatora.	Naładować akumulator. Jeżeli ładowanie akumulatora nie przynosi skutku, należy go wymienić.
	Układ napędowy nie działa prawidłowo.	Zlecić naprawę w lokalnym autoryzowanym punkcie serwisowym.
Ostrza nożyc nie poruszają się: ⇒ Natychmiast wyłączyć narzędzie!	Między ostrza nożyc dostało się ciało obce.	1. Nacisnąć przycisk obrotów wstecznych. 2. Wyłączyć narzędzie i wyjąć akumulator, a następnie wyjąć ciało obce, używając odpowiednich narzędzi, na przykład szczypic.
	Układ napędowy nie działa prawidłowo.	Zlecić naprawę w lokalnym autoryzowanym punkcie serwisowym.
Nietypowe drgania: ⇒ Natychmiast wyłączyć narzędzie!	Ostrza nożyc są złamane, wygięte lub zużyte.	Wymienić ostrza nożyc.
	Układ napędowy nie działa prawidłowo.	Zlecić naprawę w lokalnym autoryzowanym punkcie serwisowym.
Nie można zatrzymać ostrego nożyc ani silnika: ⇒ Natychmiast wyjąć akumulator!	Usterka elektryczna.	Wyjąć akumulator i zlecić naprawę w lokalnym autoryzowanym punkcie serwisowym.

AKCESORIA OPCJONALNE

⚠ PRZESTROGA: Zaleca się stosowanie wymienionych akcesoriów i przystawek razem z narzędziem Makita opisanym w niniejszej instrukcji.

Stosowanie innych akcesoriów lub przystawek może być przyczyną obrażeń ciała. Akcesoria lub przystawki należy wykorzystywać tylko zgodnie z ich przeznaczeniem.

W razie potrzeby wszelkiej pomocy i szczegółowych informacji na temat niniejszych akcesoriów udziela Państwu lokalne punkty serwisowe Makita.

- Zespół ostrzy nożyc
- Pojemnik na ścinki
- Pojemnik ze smarem
- Oryginalny akumulator i ładowarka firmy Makita

WSKAZÓWKA: Niektóre pozycje znajdujące się na liście mogą być dołączone do pakietu narzędziowego jako akcesoria standardowe. Mogą to być różne pozycje, w zależności od kraju.

RÉSZLETES LEÍRÁS

Tipus:	UH013G	UH014G
Penge hossza	600 mm	750 mm
Löketszám percenként	2 000 / 3 600 / 5 000 min ⁻¹	
Teljes hossz	1 085 mm	1 225 mm
Névleges feszültség	Max. 36 - 40 V egyenáram	
Nettó tömeg	3,9 - 4,5 kg	4,0 - 4,7 kg
Védettségi fokozat	IPX4	

- Folyamatos kutató- és fejlesztőprogramunk eredményeként az itt felsorolt tulajdonságok figyelmeztetés nélkül megváltozhatnak.
- A tulajdonságok országról országra különbözhetnek.
- A súly a felszerelt tartozékoktól függően változhat, az akkumulátort is beleértve. Az EPTA 01/2014 eljárás szerint meghatározott legnehezebb, illetve legkönnyebb kombináció a táblázatban látható.

Alkalmazható akkumulátorok és töltők

Akkumulátor	BL4020* / BL4025* / BL4040* / BL4050F * : Javasolt akkumulátor
Töltő	DC40RA / DC40RB / DC40RC

- Lakóhelyétől függően előfordulhat, hogy a fent felsorolt akkumulátorok és töltők nem érhetőek el.

▲ FIGYELMEZTETÉS: Csak a fentiekben felsorolt akkumulátorokat és töltőket használja. Bármilyen más akkumulátor vagy töltő használata sérüléseket és/vagy tüzet okozhat.





Ajánlott kábellel csatlakoztatott áramforrás

Hordozható tápegység	PDC01 / PDC1200
----------------------	-----------------

- Lakóhelyétől függően előfordulhat, hogy a fent felsorolt kábellel csatlakoztatott áramforrás(ok) nem érhető(k) el.
- A kábellel csatlakoztatott áramforrás használata előtt olvassa el az utasításokat és a figyelmeztető jeleket.

Szimbólumok

A következőkben a berendezésen esetleg használt jelképek láthatók. A szerszám használata előtt bizonyosodjon meg arról hogy helyesen értelmezi a jelentésüket.

	Olvassa el a használati utasítást.
	VESZÉLY - Tartsa távol a kezét a késtől.
	Viseljen védőszemüveget.
	



Csak EU-tagállamok számára
Mivel a berendezésben veszélyes alkatrészek vannak, az elektromos és elektronikus berendezések, akkumulátorok és elemek hulladékai negatív hatással lehetnek a környezetre és az emberi egészségre. Az elektromos és elektronikus készülékeket vagy akkumulátorokat ne dobja a háztartási szemétkébe!
Az elektromos és elektronikus berendezések hulladékairól és az akkumulátorokról és elemekről, valamint az akkumulátorok és elemek hulladékáról szóló európai irányelvnek, valamint a nemzeti jogszabályokhoz történő adaptálásának megfelelően a használt elektromos berendezéseket, elemeket és akkumulátorokat külön kell tárolni, és a települési hulladék elkülönített gyűjtőhelyére kell szállítani a környezetvédelmi előírásoknak megfelelően. Ezt jelzi a berendezésen elhelyezett áthúzott keresek kuka szimbólum.

Rendeltetés

A szerszám sövénynyírásra szolgál.

Zaj

Hatályos szabvány : EN62841-4-2

Típus	Hangnyomásszint		Hangteljesítményszint	
	L _{pA} (dB(A))	Bizonytalanság (K) (dB (A))	L _{WA} (dB(A))	Bizonytalanság (K) (dB (A))
UH013G	80	3	91	3
UH014G	81	3	92	3

MEGJEGYZÉS: A zajkibocsátás értéke a szabványos vizsgálati eljárásnak megfelelően lett mérve, és segítségével az elektromos kéziszerszámok összehasonlíthatók egymással.

MEGJEGYZÉS: A zajkibocsátás értékének segítségével előzetesen megbecsülhető a rezgésnek való kitétség mértéke.

▲FIGYELMEZTETÉS: Viseljen fülvédőt!

▲FIGYELMEZTETÉS: A szerszám zajkibocsátása egy adott alkalmazásnál eltérhet a megadott értéktől a használat módjától, különösen a feldolgozott munkadarab fajtájától függően.

▲FIGYELMEZTETÉS: Határozza meg a kezelő védelmét szolgáló munkavédelmi lépéseket, melyek az adott munkafeltételek melletti vibrációs hatás becsült mértékén alapulnak (figyelembe véve a munkaciklus elemeit, mint például a gép leállításának és üresjáratának mennyiségét az elindítások száma mellett).

Vibráció

A vibráció teljes értéke (háromtengelyű vektorösszeg) az EN62841-4-2 szerint meghatározva:

Típus	Elülső fogantyú		Hátulsó fogantyú	
	ah (m/s ²)	Bizonytalanság K (m/s ²)	ah (m/s ²)	Bizonytalanság K (m/s ²)
UH013G	2,5	1,5	2,5 m/s ² vagy kisebb	1,5
UH014G	3,2	1,5	2,5 m/s ² vagy kisebb	1,5

MEGJEGYZÉS: A rezgés teljes értéke a szabványos vizsgálati eljárásnak megfelelően lett mérve, és segítségével az elektromos kéziszerszámok összehasonlíthatók egymással.

MEGJEGYZÉS: A rezgés teljes értékének segítségével előzetesen megbecsülhető a rezgésnek való kitétség mértéke.

▲FIGYELMEZTETÉS: A szerszám rezgés kibocsátása egy adott alkalmazásnál eltérhet a megadott értéktől a használat módjától, különösen a feldolgozott munkadarab fajtájától függően.

▲FIGYELMEZTETÉS: Határozza meg a kezelő védelmét szolgáló munkavédelmi lépéseket, melyek az adott munkafeltételek melletti vibrációs hatás becsült mértékén alapulnak (figyelembe véve a munkaciklus elemeit, mint például a gép leállításának és üresjáratának mennyiségét az elindítások száma mellett).

EK Megfelelőségi nyilatkozat

Csak európai országokra vonatkozóan

Az EK-megfelelőségi nyilatkozat az útmutató „A” mellékletében található.

BIZTONSÁGI FIGYELMEZTETÉS

A szerszámgépekre vonatkozó általános biztonsági figyelmeztetések

▲FIGYELMEZTETÉS: Olvassa el a szerszámgéphez mellékelt összes biztonsági figyelmeztetést, utasítást, illusztrációt és a műszaki adatokat. A következőkben leírt utasítások figyelmen kívül hagyása elektromos áramütést, tüzet és/vagy súlyos sérülést eredményezhet.

Őrizzen meg minden figyelmeztetést és utasítást a későbbi tájékozódás érdekében.

A figyelmeztetéseken szereplő "szerszámgép" kifejezés az Ön hálózatról (vezetékes) vagy akkumulátorról (vezeték nélküli) működtetett szerszámgépére vonatkozik.

Az akkumulátoros sövénynyíróra vonatkozó biztonsági figyelmeztetések

- 1. Ügyeljen rá, hogy teste semmilyen része ne kerüljön a penge közelébe. Amikor a kések mozognak, ne távolítsa el a levágott anyagot, és ne tartsa a kezében a levágni kívánt anyagot.** A pengék a kapcsoló kikapcsolása után még mozognak. A sövénynyíró használata közben egy pillanatnyi figyelmetlenség is komoly személyi sérüléshez vezethet.
- 2. A sövénynyírót a fogantyúnál fogva szállítsa, leállított pengével, ügyelve arra, hogy ne nyomjon meg semmilyen indítókapcsolót.** A sövénynyíró megfelelő szállítása csökkenti a véletlen elindítás és az abból eredő, pengék által okozott személyi sérülések veszélyét.
- 3. A sövénynyíró szállításához és tárolásához mindig illesse fel a védőburkolatot.** A sövénynyíró megfelelő kezelése csökkenti a pengék által okozott személyi sérülések veszélyét.
- 4. A beakadt anyagok eltávolításakor vagy az egység javításakor ügyeljen arra, hogy az összes indítókapcsoló ki legyen kapcsolva és az akkumulátor el legyen távolítva vagy a csatlakozás ki legyen oldva.** Ha a beakadt anyagok eltávolítása vagy az egység javítása közben a sövénynyíró váratlanul működésbe lép, az súlyos személyi sérülést okozhat.
- 5. Kizárólag a szigetelt markolási felületeinél fogva tartsa a sövénynyírót, mert a penge rejtett vezetőekbe ütközhet.** Ha a pengék feszültség alatt lévő vezetőekkel érintkeznek, a sövénynyíró fémalkatrészei is áram alá kerülhetnek, és áramütés érheti a kezelőt.
- 6. Tartsa távol a tápvezetőket és kábeleket a vágási területtől.** A sövényekben vagy bokrokban tápvezetők vagy kábelek lehetnek elrejtve, és a penge véletlenül elvághatja azokat.
- 7. Ne használja a sövénynyírót rossz időjárási körülmények esetén, különösen, ha villámlás várható.** Ez csökkenti a villámcsapás veszélyét.

További biztonsági utasítások

Felkészülés

- 1. A szerszám használata előtt ellenőrizze a sövényeket és bokrokat, nincs-e bennük idegen tárgy, mint például drótkerítés vagy rejtett huzalok.**
- 2. 18 év alatti fiatalok vagy gyerekek nem használhatják a szerszámot.** Mentésülhetnek a tilalom alól az olyan 16 év feletti fiatalok, akik szakember által felügyelt betanításban részesülnek.
- 3. A szerszámot először használó személyeknek egy tapasztalt felhasználó mutassa meg a szerszám használatát.**

- 4. A szerszámot csak jó fizikai állapotban lévő személyek használják.** A fáradtság figyelmen kívül hagyható. Különös elővigyázatossággal járjon el a munkanap végén. Minden munkát nyugodtan és elővigyázatosan végezzen. A harmadik félnek okozott károkért a felhasználó felelős.
- 5. Soha ne használja a szerszámot, amikor alkoholt, kábítószert vagy gyógyszer hatása alatt áll.**
- 6. Az erős bőrből készült munkakesztyűk a szerszám alapfelszerelésének részét képezik, és a használatakor mindig fel kell venni azokat.** Emellett viseljen csúszásgátló talppal ellátott, kemény lábbelit.
- 7. A munka megkezdése előtt győződjön meg arról, hogy a szerszám állapota jó, és megfelelő a biztonságos munkavégzésre.** Ügyeljen rá, hogy a védőburkolatok megfelelően fel legyenek szerelve. A szerszámot csak teljesen összeszerelt állapotban szabad használni.

Működtetés

- 1. Használat közben erősen tartsa a szerszámot mindkét kezével.**
- 2. A szerszám a kezelő által a talaj szintjén történő használatra szolgál. Ne használja a szerszámot létrán vagy instabil helyen.**
- 3. VESZÉLY - Tartsa távol a kezét a fűrészlaptól.** A fűrészlap megérintése súlyos személyi sérüléshez vezethet.
- 4. Ügyeljen arra, hogy biztosan álljon, mielőtt megkezdje a munkát.**
- 5. Ne működtesse a szerszámot terhelés nélkül fölöslegesen.**
- 6. Azonnal kapcsolja ki a szerszámot és vegye ki az akkumulátort, ha a nyírópengék kerítéshez vagy más kemény tárgyhoz értek.** Ellenőrizze, hogy a pengék nem sérültek-e meg. Ha sérülést észlel, azonnal cserélje ki a pengéket.
- 7. A nyírópengék ellenőrzése, a hibák kijavítása vagy a nyírópengékben elakadt anyag eltávolítása előtt mindig kapcsolja ki a szerszámot, és vegye ki belőle az akkumulátort.**
- 8. Soha ne irányítsa a nyírópengéket önmagára vagy másokra.**
- 9. Ha a pengék mozgása leáll, mert működés közben idegen tárgyak szorultak a pengék közé, kapcsolja ki a szerszámot, és távolítsa el az akkumulátort, majd szerszám, például fogó segítségével távolítsa el az idegen tárgyakat.** Az idegen tárgyak kézzel történő eltávolítása sérülést okozhat, mert az idegen tárgyak eltávolítására válaszképpen a pengék megmozdulhatnak.
- 10. Ha sáros talajon, nedves lejtőn vagy csúszós helyen használja a szerszámot, figyeljen oda a lábtartására.**
- 11. Ne merítse bele a szerszámot egy tócsába.**
- 12. Ne hagyja a szerszámot őrizetlenül kültéren az esőben.**

Az elektromos áramra és az akkumulátorra vonatkozó biztonsági tudnivalók

- 1. Kerülje a veszélyes környezetet.** Ne használja a gépet nyirkos, nedves helyen, és ne tegye ki esőnek. A szerszámba kerülő víz növeli az áramütés kockázatát.
- 2. Az akkumulátor(oka)t ne dobja tűzbe.** Az akkumulátor felrobbanhat. Nézzzen utána, hogy a helyi törvények tartalmazzak-e az ártalmatlanításra vonatkozó különleges rendelkezéseket.

3. Ne nyissa fel és ne vágja szét az akkumulátor(oka)t. A kifolyt elektrolit korrozív hatású, továbbá a szem és a bőr sérülését okozhatja. Lenyelése mérgezést okozhat.
4. Ne töltsz az akkumulátort esőben vagy nedves helyen.
5. Ne töltsz az akkumulátort kültéren.
6. Ne kezelje a töltőt, beleértve a töltőcsatlakozót, és a töltő kivezetéseit nedves kézzel.
7. Ne cserélje az akkumulátort nedves kézzel.
8. Ne cserélje az akkumulátort esőben.
9. Ne vedd ki az akkumulátor érintkezőit folyadékkal, például vízzel, és ne merítse bele az akkumulátort. Ne hagyja az akkumulátort az esőben, és ne töltsd, használja vagy tárolja az akkumulátort nyirkos vagy nedves helyen. Ha az érintkezők benedvesednek vagy víz kerül az akkumulátor belsejébe, az akkumulátor rövidre záródhat, és fennáll a túlmelegedés, tűz vagy robbanás kockázata.
10. Miután eltávolította az akkumulátort a szerzőből vagy a töltőből, gondoskodjon róla, hogy csatlakoztassa az akkumulátorhoz a fedelét, és tárolja száraz helyen.
11. Ha az akkumulátor nedves lesz, szárítsa le a vizet, majd száraz kendővel törölje le. Használat előtt teljesen szárítsa meg az akkumulátort egy száraz helyen.

Karbantartás és tárolás

1. Az esetleges karbantartások elvégzése előtt mindig kapcsolja ki a szerszámot, és távolítsa el az akkumulátort.
2. A sövénynyíróból szállítás előtt (még munka közbeni szállításkor is) mindig vegye ki az akkumulátort, és tegye fel a nyírőpengékre a védőburkolatot. Soha ne vigye és ne szállítsa a szerszámot mozgó pengékkel. Soha ne fogja meg kézzel a pengéket.
3. Használat után és hosszabb ideig tartó tárolás előtt tisztítsa meg a szerszámot és különösen a nyírőpengéket. Kissé olajozza be a pengéket, majd tegye fel a védőburkolatot.
4. A szerszámot felrakott védőburkolattal, száraz helyen tárolja. Gyermekektől tartsa távol. Soha ne tárolja a szerszámot a szabadban.
5. Az akkumulátor(oka)t ne dobja tűzbe. Az akkumulátor felrobbanhat. Nézzon utána, hogy a helyi törvények tartalmaznak-e az ártalmatlanításra vonatkozó különleges rendelkezéseket.
6. Ne nyissa fel és ne vágja szét az akkumulátor(oka)t. A kifolyt elektrolit korrozív hatású, továbbá a szem és a bőr sérülését okozhatja. Lenyelése mérgezést okozhat.
7. Ne töltsz az akkumulátort esőben vagy nedves helyen.
8. A szerszám tárolásakor kerülje a közvetlen napsütést és az esőt, és olyan helyen tárolja, amely nem forrószik fel és nem párosodik be.

ŐRIZZE MEG EZEKET AZ UTASÍTÁSOKAT.

FIGYELMEZTETÉS: NE HAGYJA, hogy (a termék többszöri használatából eredő) kényelem és megszokás váltsa fel a termék biztonságos előírásainak szigorú betartását. A **HELYTELEN HASZNÁLAT** és a használati útmutatóban szereplő biztonsági előírások megszegése súlyos személyi sérülésekhez vezethet.

Fontos biztonsági utasítások az akkumulátorra vonatkozóan

1. Az akkumulátor használata előtt tanulmányozza át az akkumulátortöltőt (1), az akkumulátoron (2) és az akkumulátorral működtetett terméken (3) olvasható összes utasítást és figyelmeztető jelzést.
2. Ne szerelje szét, és ne módosítsa az akkumulátort. Tűzet, túlzott hőt vagy robbanást okozhat.
3. Ha a működési idő nagyon lerövidült, azonnal hagyja abba a használatot. Ez a túlmelegedés, esetleges égések és akár robbanás veszélyével is járhat.
4. Ha elektrolit kerül a szemébe, mossa ki azt tiszta vízzel és azonnal kérjen orvosi segítséget. Ez a látásának elvesztését okozhatja.
5. Ne zárja rövidre az akkumulátort:

- (1) Ne érjen az érintkezőkhöz elektromosan vezető anyagokkal.
- (2) Ne tárolja az akkumulátort más fémtárgyakkal, mint pl. szegekkel, érmékkel, stb. egy helyen.
- (3) Ne tegye ki az akkumulátort víznek vagy esőnek.

Az akkumulátor rövidzárlata nagy áramerősséget, túlmelegedést, égéseket, sőt akár meghibásodást is okozhat.

6. Ne tárolja és használja a szerszámot vagy az akkumulátort olyan helyen, ahol a hőmérséklet elérheti vagy meghaladhatja az 50 °C-t (122 °F).
7. Ne égesse el az akkumulátort még akkor sem, ha az komolyan megsérült vagy teljesen elhasználódott. Az akkumulátor a tűzben felrobbanhat.
8. Ne szúrja meg, ne vágja meg, ne törje össze, ne dobja el és ne ejtse le az akkumulátort, illetve ne üsse hozzá kemény tárgyhoz. Az ilyen magatartás tűzet, túlzott hőt vagy robbanást okozhat.
9. Ne használjon sérült akkumulátort.

10. A készülékben található lítium-ion akkumulátorokra a veszélyes árukkal kapcsolatos előírások vonatkoznak.

A termék pl. harmadik felek, fuvarozó cégek stb. által történő szállítása esetén minden esetben tartsa szem előtt a csomagoláson és a címkén található speciális követelményeket.

A termék szállításra történő felkészítése esetén vegye fel a kapcsolatot egy veszélyes anyagokkal foglalkozó szakemberrel. Kérjük, hogy az esetlegesen szigorúbb nemzeti előírásokat is vegye figyelembe.

Ragassza le a kiálló érintkezőket, illetve oly módon csomagolja be az akkumulátort, hogy az ne tudjon elmozdulni a csomagolásban.

- Az akkumulátor ártalmatlanításakor vegye ki azt a szerszámból, és ártalmatlanítsa egy biztonságos helyen. Az akkumulátor ártalmatlanításakor tartsa be a helyi előírásokat.
- Az akkumulátorokat csak a Makita által megjelölt termékekhez használja. Ha az akkumulátorokat azokkal nem kompatibilis termékekbe helyezi, az tűzhöz, túlmelegedéshez, robbanáshoz vagy elektrolitszivárgáshoz vezethet.
- Ha a szerszám hosszabb ideig nincs használatban, az akkumulátort ki kell venni a szerszámból.
- Használat közben és után az akkumulátor felforrósodhat, ami égési sérülést vagy alacsony hőmérsékletű égési sérülést okozhat. Figyeljen oda a forró akkumulátor kezelésére.
- Ne érintse meg közvetlenül a szerszám érintkezőjét, mert elég forró lehet ahhoz, hogy égési sérüléseket okozzon.
- Ne engedje, hogy forgács, por vagy sár tapadjon az akkumulátor érintkezőire, lyukaiba és hornyaiba. Az felmelegedést, tüzet, robbanást és a szerszám vagy az akkumulátor meghibásodását okozhatja, ami égési és személyi sérülésekhez vezet.
- Hacsak a szerszám nem támogatja a nagyfeszültségű elektromos vezetékek közelében történő használatot, ne használja az akkumulátort nagyfeszültségű elektromos vezetékek közelében. Az a szerszám vagy az akkumulátor hibás működését vagy meghibásodását okozhatja.
- Tartsa távol a gyermekektől az akkumulátort.

ŐRIZZE MEG EZEKET AZ UTASÍTÁSOKAT.

VIGYÁZAT: Csak eredeti Makita akkumulátorokat használjon. A nem eredeti Makita akkumulátorok vagy módosított akkumulátorok használata esetén az akkumulátor felrobbanhat, ami tüzet, személyi sérülést és anyagi kárt okozhat. A Makita szerszámra és töltőre vonatkozó Makita garanciát is érvénytelenítheti.

Tippek az akkumulátor maximális élettartamának eléréséhez

- Töltse fel az akkumulátort, mielőtt teljesen lemerülne. Állítsa le a gépet, és töltse fel az akkumulátort, ha a gép erejének csökkenését észleli.
- Soha ne töltse újra a teljesen feltöltött akkumulátort. A túltöltés csökkenti az akkumulátor élettartamát.
- Töltse az akkumulátort szobahőmérsékleten, 10 °C - 40 °C (50 °F - 104 °F) között. Töltés előtt hagyja lehűlni a felforrósodott akkumulátort.
- Ha nem használja az akkumulátort, vegye ki a szerszámból vagy a töltőből.
- Töltse fel az akkumulátort, ha hosszabb ideje (több mint hat hónapja) nem használta azt.

A MŰKÖDÉS LEÍRÁSA

VIGYÁZAT: Minden esetben ellenőrizze, hogy a szerszám ki van kapcsolva és az akkumulátor eltávolításra került mielőtt beállít vagy ellenőriz valamilyen funkciót a szerszámon.

Az akkumulátor behelyezése és eltávolítása

VIGYÁZAT: Mindig kapcsolja ki az eszközt, mielőtt behelyezi vagy eltávolítja az akkumulátort.

VIGYÁZAT: Az akkumulátor behelyezésekor vagy eltávolításakor erősen fogja meg a szerszámot és az akkumulátort. Ha nem fogja erősen a szerszámot és az akkumulátort, azok kicsúszhatnak a kezei közül, ami a szerszám és az akkumulátor károsodásához, de akár személyi sérüléshez is vezethet.

► **Ábra1:** 1. Piros jel 2. Gomb 3. Akkumulátor

Az akkumulátoregység kivételéhez nyomja be az akkumulátoregység elején található gombot, és húzza le a gépről.

Az akkumulátor beszereléséhez illesse az akkumulátor nyelvét a burkolaton található vágatba, és csúsztassa a helyére. Egészen addig tolja be, amíg az akkumulátor egy kis kattánással a helyére nem ugrik. Ha látható a piros jel az ábrán látható módon, akkor nem kattant be teljesen.

VIGYÁZAT: Mindig tolja be teljesen az akkumulátort, amíg a piros jel el nem tűnik. Ha ez nem történik meg, akkor az akkumulátor kieshet a szerszámból, és Önnek vagy a környezetében másnak sérülést okozhat.

VIGYÁZAT: Ne erőltesse az akkumulátort behelyezésre. Ha az akkumulátor nem csúszik be könnyedén, akkor nem megfelelően lett behelyezve.

Az akkumulátor töltöttségének jelzése

Nyomja meg az ellenőrzőgombot, hogy az akkumulátortöltöttség-jelző megmutassa a hátralévő akkumulátor-kapacitást. Ekkor a töltöttségiszint-jelző lámpák néhány másodpercre kigyulladnak.

► **Ábra2:** 1. Jelzőlámpák 2. Check (ellenőrzés) gomb

Jelzőlámpák			Töltöttségi szint
Világító lámpa	KI	Villogó lámpa	
■	□	◐	75%-tól 100%-ig
■	■	□	50%-tól 75%-ig
■	□	□	25%-tól 50%-ig
■	□	□	0%-tól 25%-ig
◐	□	□	Töltse fel az akkumulátort.
■	□	□	Lehetséges, hogy az akkumulátor meghibásodott.
□	□	■	

MEGJEGYZÉS: Az adott munkafeltételektől és a környezet hőmérsékletétől függően a jelzett töltöttségi szint némileg eltérhet a tényleges töltöttségi szinttől.

MEGJEGYZÉS: Az első (bal oldali szélső) jelzőlámpa villog, ha az akkumulátorvédő rendszer működik.

Szerszám-/akkumulátorvédő rendszer

A gép szerzám-/akkumulátorvédő rendszerrel van felszerelve. A rendszer automatikusan kikapcsolja a motor áramellátását, így megnöveli a szerzám és az akkumulátor élettartamát. A gép használat közben automatikusan leáll, ha a szerzám a következő állapotok valamelyikébe kerül:

► **Ábra3:** 1. Figyelmeztető lámpa

Figyelmeztető lámpa			Állapot
Szín	Be	Villogó lámpa	
Zöld	●	●	Túlterhelés
Piros	● (szerzám) / ● (akkumulátor)	●	Túlmelegedés
Piros	●	●	Túlmerülés

MEGJEGYZÉS: A használati körülményektől függően a szerzám minden jelzés nélkül automatikusan kikapcsol, ha ágak vagy törmelék akad el a szerzámában. Ebben az esetben kapcsolja ki a szerzámot, és távolítsa el az akkumulátort, majd távolítsa el a beakadt ágakat vagy törmelékét egy szerzám, például fogó segítségével. Az ágak vagy törmelék eltávolítása után helyezze be az akkumulátort, és kapcsolja be újra a szerzámot.

Túlterhelésvédelem

Ha a szerzám vagy az akkumulátor túlterhelődik elakadt ágak vagy más törmelék miatt, a szerzám automatikusan leáll, és a figyelmeztető lámpa zölden kezd villogni.

Ilyenkor kapcsolja ki a gépet, és fejezze be azt a műveletet, amelyik a túlterhelést okozza. Az újraindításhoz kapcsolja be a gépet.

Túlterhelés-védelem a szerzámhoz/akkumulátorhoz

Ha a szerzám vagy az akkumulátor túlmelegszik, a szerzám automatikusan leáll. Ha a szerzám túlmelegszik, a figyelmeztető lámpa pirosan kigyúl. Ha az akkumulátor túlmelegszik, a figyelmeztető lámpa pirosan villog. Hagyja kihűlni a gépet és/vagy az akkumulátort, mielőtt ismét bekapcsolná a gépet.

Mélykisütés elleni védelem

Ha az akkumulátor kapacitása lecsökken, a szerzám automatikusan leáll, és a figyelmeztető lámpa pirosan villog.

Ha a szerzám a gombokkal sem működtethető, vegye ki a szerzámából a lemerült akkumulátort, és tölts fel.

Egyéb okok elleni védelem

A védelmi rendszert más olyan okok ellen is tervezték, amelyek károsíthatják a szerzámot és amelyek lehetővé teszik, hogy a szerzám automatikusan leálljon. Hajtva végre az alábbi összes lépést az okok tisztázása érdekében, ha a szerzám ideiglenesen vagy teljesen leállt.

1. Kapcsolja ki a szerzámot, majd kapcsolja be ismét az újraindításhoz.
2. Tölts fel az akkumulátor(oka)t vagy cserélje ki azt/azokat újratöltött akkumulátorral.
3. Hagyja, hogy a szerzám és az akkumulátor(ok) lehűljenek.

Ha nem történik javulás a védelmi rendszer helyreállítása után sem, forduljon a helyi Makita Szervizközpontoz.

Indítókapcsoló működése

▲ FIGYELMEZTETÉS: Az Ön biztonsága érdekében ez a szerzám egy karral van felszerelve, amely megakadályozza a szerzám véletlen beindulását. SOHA ne használja ezt a szerzámot, ha akkor is beindul, amikor Ön meghúzza a kapcsológombokat, de nem nyomja le a kart. A további használat ELŐTT vigye vissza a szerzámot a hivatalos szervizközpontunkba a megfelelő javításra.

▲ FIGYELMEZTETÉS: SOHA ne ragassza le a kart, vagy iktassa ki annak működését.

▲ FIGYELMEZTETÉS: Mielőtt behelyezi az akkumulátort a szerzámába, mindig ellenőrizze, hogy a kapcsológombok és a kar hibátlanul működnek, és felengedéskor az „OFF” (KI) helyzetbe térnek. A hibás kapcsolóval működő szerzám fölött a kezelő elveszítheti az uralmat, és a gép súlyos személyi sérülést okozhat.

▲ VIGYÁZAT: Soha ne tegye az ujját a kapcsológombokra szállítás közben. A szerzám véletlenül elindulhat, és sérüléseket okozhat.

MEGJEGYZÉS: Ne húzza túlzott erővel a kapcsológombot, ha nem nyomta be a kart. Ez a kapcsoló törését okozhatja.

A szerzám bekapcsolásához nyomja meg a főkapcsoló gombot. A szerzám bekapcsolásához hosszan nyomja meg a főkapcsoló gombot, amíg a sebességjelzők kialszanak.

► **Ábra4:** 1. Főkapcsoló gomb

MEGJEGYZÉS: A figyelmeztető lámpa villog, ha a kapcsológombot működésképtelen körülmények között nyomja meg. A figyelmeztető lámpa villogni kezd, ha megnyomja a főkapcsolót, miközben lenyomva tartja a kart és a kapcsológombot.

MEGJEGYZÉS: Ez a gép automatikus kikapcsolási funkcióval rendelkezik. Hogy elkerülhesse a gép véletlen beindítását, a főkapcsoló automatikusan leállítja a gépet, ha a kapcsológombot megadott ideig nyomva tartja, miután a főkapcsolót bekapcsolta.

A kapcsológomb véletlen benyomásának elkerüléséről a kar gondoskodik. A szerzám elindításához húzza meg az elülső kapcsológombot, majd húzza meg a hátsó kapcsológombot, közben megnyomva a kart. Bármelyik kapcsológomb elengedésekor a szerzám leáll.

► **Ábra5:** 1. Kar 2. Hátsó kapcsológomb 3. Elülső kapcsológomb

Fordulatszám-állítás

A szerszám fordulatszáma a főkapcsoló gomb rövid megnyomásával módosítható. A főkapcsológomb minden megnyomására megváltozik a sebességszint.

► **Ábra6:** 1. Sebesséjelző 2. Főkapcsoló gomb

Sebesséjelző	Üzem mód	Löklet sebessége
 3 2 1	Magas	5 000 min ⁻¹
 3 2 1	Közepes	3 600 min ⁻¹
 3 2 1	Alacsony	2 000 min ⁻¹

Írányváltó gomb a hulladék eltávolítására

▲ FIGYELMEZTETÉS: Ha a beakadt ágakat vagy törmelékét nem lehet az irányváltó funkcióval eltávolítani, kapcsolja ki a szerszámot, és távolítsa el az akkumulátort, majd távolítsa el a beakadt ágakat vagy törmelékét egy szerszám, például fogó segítségével. A szerszám kikapcsolásának és az akkumulátor eltávolításának az elmulasztása súlyos személyi sérülést okozhat a véletlen beindulás miatt. A beakadt ágak vagy törmelék kézzel történő eltávolítása sérülést okozhat, mivel a nyírópengék elmozdulhatnak az eltávolítás hatására.

Ez a szerszám irányváltó gombbal van felszerelve, amely a nyírópengék mozgásának irányát változtatja. A gomb kizárólag a szerszamba akadt ágak és törmelék eltávolítására szolgál.

A nyírópengék mozgásának megfordításához nyomja meg az irányváltó gombot, miután a nyírópengék megálltak, majd húzza meg az első kapcsológombot, és a kar nyomva tartása mellett húzza meg a hátsó kapcsológombot. A sebesséjelzők villogni kezdenek, és a nyírópengék visszafelé mozognak.

Ha a beakadt ágakat és törmelékét eltávolították, a szerszám visszatér a rendes mozgáshoz, a sebesséjelzők abbahagyják a villogást, és világít.

► **Ábra7:** 1. Sebesséjelző 2. Irányváltó gomb

MEGJEGYZÉS: Ha a beakadt ágakat és törmelékét nem lehet eltávolítani, ismétlje a kapcsológomb elengedését, az irányváltó gomb megnyomását és a kapcsológomb meghúzását, ameddig kiesnek.

MEGJEGYZÉS: Ha még mozgó nyírópengék mellett érinti meg az irányváltó gombot, a szerszám leáll, és felkészül az ellentétes irányú mozgásra.

Elektronikus funkció

A szerszámot a könnyebb használat érdekében elektronikus funkciókkal szerelték fel.

- **Állandó fordulatszám-szabályozás**
A fordulatszám-szabályozó funkció a terhelési körülményektől függetlenül állandó fordulatszámot biztosít.
- **Elektromos fék**
A szerszám elektromos fékkel rendelkezik. Ha a szerszám ismétlődően nem állítja le gyorsan a nyírókéseket a kapcsológomb felengedése után, javíttassa meg a szerszámot a Makita hivatalos szervizközpontjában.
- **Véletlenszerű újraindítást megelőző funkció**
Ha a kapcsológombot meghúzva tartva helyezi be az akkumulátort, a szerszám nem indul el. A szerszám bekapcsolásához először engedje el, majd húzza meg a kapcsológombot.

ÖSSZESZERELÉS

▲ VIGYÁZAT: Minden esetben ellenőrizze, hogy a szerszám ki van kapcsolva és az akkumulátort levette, mielőtt bármilyen műveletet végez a szerszámon.

▲ VIGYÁZAT: A nyírópengék cseréjéhez mindig viseljen kesztyűt, hogy a keze ne érjen közvetlenül a pengékhez.

MEGJEGYZÉS: Ne törölje le a zsírt a fogaskerekről és a hajtótárcsáról.

A nyírópengék felszerelése és eltávolítása

▲ VIGYÁZAT: A nyírópengék eltávolítása és felszerelése előtt szerelje fel a védőburkolatot.

Felszerelhet 600 mm-es vagy 750 mm-es nyírópengéket a szerszáma.

MEGJEGYZÉS: Ha a nyírópengéket eltérő hosszúságúakra cseréli, cserélje ki a forgácsolót egy olyanra, amelyik illeszkedik a pengékhez.

1. Távolítsa el a négy csavart (UH013G esetén) vagy az öt csavart (UH014G esetén), majd távolítsa el a forgácsolót a szerszámról.

UH013G esetén

► **Ábra8:** 1. Forgácsoló 2. Csavar

UH014G esetén

► **Ábra9:** 1. Forgácsoló 2. Csavar

2. Helyezze a szerszámot fejjel lefelé, majd távolítsa el a hat csavart.

► **Ábra10:** 1. Fejecscsavar

3. Távolítsa el a fedelet és a lemezt.

► **Ábra11:** 1. Fedél 2. Lemez

MEGJEGYZÉS: A lemez a fedélen maradhat.

4. Távolítsa el a rudat és a csapágyat.

▶ **Ábra12:** 1. Rúd 2. Csapágy

MEGJEGYZÉS: A rúd vagy a csapágy a fedélen maradhat.

5. Távolítsa el a három csavart, a három hüvelyt és a filctalpat, majd távolítsa el a nyírópengéket.

▶ **Ábra13:** 1. Csavar 2. Hüvely 3. Filctalp
4. Nyírópengék

MEGJEGYZÉS: Vigyázzon, hogy ne veszítse el a csavarokat.

6. Távolítsa el a védőburkolatot, majd szerelje fel azt az új nyírópengékre.

▶ **Ábra14**

7. A hajtókart úgy állítsa be, hogy a két furat egyvonalba kerüljön az illesztővonal mentén.

▶ **Ábra15:** 1. Furat 2. Illesztővonal

8. Illessze a nyírópengéken lévő kitérmedéseket függőlegesen ugyanabba a pozícióba.

▶ **Ábra16:** 1. Kiemelkedés

9. Dugja be az 5. lépésben eltávolított csavart a penge védőburkolatán és a nyírópengéken lévő furatba a nyírópengék ideiglenes rögzítéséhez, majd szerelje fel a filctalpat a nyírópengékre.

▶ **Ábra17:** 1. Csavar 2. Filctalp 3. Furat

10. Nyomja be a nyírópengéken lévő kitérmedést a rúdon lévő furatokba, ezután illessze a filctalp pozícióját a szerszámon lévő furatokhoz. Tegye rá a két új hüvelyt.

▶ **Ábra18:** 1. Filctalp 2. Kiemelkedés 3. Furat
4. Hüvely

MEGJEGYZÉS: Vigyen fel kis mennyiségű zsírt a rúdon lévő furat belső szélére.

MEGJEGYZÉS: Vigyázzon, hogy ne veszítse el a hüvelyeket.

11. Illessze a hüvelyeken és a nyírópengéken lévő furatokat a szerszámon lévő furatokhoz, majd húzza meg a két csavart a nyírópengék ideiglenes rögzítéséhez.

▶ **Ábra19:** 1. Csavar

12. Távolítsa el a 9. lépésben a nyírópengéken található furatba dugott csavart, majd csúsztassa el a penge védőburkolatát.

▶ **Ábra20:** 1. Csavar

13. Tegyen rá egy új hüvelyt.

▶ **Ábra21:** 1. Hüvely

14. A nyírópengék rögzítéséhez húzza meg a csavart a hüvellyel együtt.

▶ **Ábra22:** 1. Csavar

15. Húzza meg szorosan a 11. lépésben ideiglenesen rögzített csavarokat.

16. Tegye a csapágyat a rúdra.

▶ **Ábra23:** 1. Rúd 2. Kis furat 3. Csapágy

MEGJEGYZÉS: Vigyen fel kis mennyiségű zsírt a rúdon lévő kis furat belső szélére.

MEGJEGYZÉS: Győződjön meg róla, hogy a nyírópengéken lévő kiemelkedés illeszkedik a rúdon lévő kis furatba.

17. Csatlakoztassa a lemezt.

▶ **Ábra24:** 1. Kiemelkedés 2. Lemez

MEGJEGYZÉS: Győződjön meg róla, hogy a nyírópengéken lévő kiemelkedés illeszkedik a lemezen lévő furatba.

18. Szerelje fel a fedelet, majd húzza meg a hat csavart.

▶ **Ábra25:** 1. Fejecscsavar 2. Fedél

19. Szerelje fel a forgácstálcát a szerszáma meg-húzva a négy csavart (UH013G esetén) vagy öt csavart (UH014G esetén).

UH013G esetén

▶ **Ábra26:** 1. Forgácstálcá 2. Csavar

UH014G esetén

▶ **Ábra27:** 1. Forgácstálcá 2. Csavar

MEGJEGYZÉS: Ha a nyírópengék nem mozognak simán, akkor a nyírópengék nem csatlakoznak megfelelően a rúdhoz. Szerelje fel újra a nyírópengéket.

MEGJEGYZÉS: Ha a nyírópengéken kívüli egyéb alkatrészek, például a rudak elhasználódnak, forduljon egy hivatalos Makita szervizközpontoz cserealkatrészért vagy javításért.

A forgácstálcá eltávolítása és felszerelése

⚠ VIGYÁZAT: A forgácstálcá felszerelések vagy eltávolításakor mindig viseljen kesztyűt, hogy a keze ne érjen közvetlenül a nyírópengékhez.

A forgácstálcá összegyűjti a levágott leveleket, és megkönnyíti a munka elvégzése utáni takarítást.

A forgácstálcá eltávolításához távolítsa el a négy csavart (UH013G esetén) vagy az öt csavart (UH014G esetén), majd távolítsa el a forgácstálcát a számról. A forgácstálcá felszereléséhez fordított sorrendben kövesse az annak eltávolítására vonatkozó utasításokat.

UH013G esetén

▶ **Ábra28:** 1. Forgácstálcá 2. Csavar

UH014G esetén

▶ **Ábra29:** 1. Forgácstálcá 2. Csavar

MŰKÖDTETÉS

▲ FIGYELMEZTETÉS: Tartsa távol a kezét a nyírópengéktől.

▲ VIGYÁZAT: Nagy hőségben lehetőleg ne használja a gépet. A gép használatakor ügyeljen a saját fizikai állapotára.

▲ VIGYÁZAT: Ügyeljen rá, ne hogy véletlenül hozzáérjen egy fémkerítéshez vagy más kemény tárgyhöz a nyírás közben. A nyírópengék eltörhetnek, és sérülést okozhatnak.

▲ VIGYÁZAT: Ügyeljen rá, hogy a nyírópengék ne érintkezzenek a talajjal. A szerszám visszarúghat, és sérüléseket okozhat.

▲ VIGYÁZAT: Ha túl messzire nyúl a sövény-nyíróval, különösen egy létráról, az rendkívül veszélyes. Ne dolgozzon semmilyen billegő vagy nem stabil helyről.

MEGJEGYZÉS: Ne próbáljon meg 10 mm-nél vastagabb átmérőjű ágakat átvágni a szerszámmal. A szerszám használata előtt egy ágvágó segítségével vágja a vágási magasságnál 10 cm-rel kisebbre az ágakat.

► **Ábra30:** (1) Vágási magasság (2) 10 cm

MEGJEGYZÉS: Ne vágjon kiszáradt fákat, vagy más kemény tárgyakat. Ha így tesz, azzal a szerszám károsodását okozhatja.

MEGJEGYZÉS: Ne vágjon fűvet vagy gyomot a nyírópengékkel. A nyírópengék beleakadhatnak a fűbe vagy a gyomokba.

Tartsa az előlő fogantyút jobb kézzel, a hátsó fogantyút pedig bal kézzel. Húzza meg az előlő kapcsológombot, majd húzza meg a hátsó kapcsológombot, közben megnyomva a kart, ezután tolja előre a szerszámot.

► **Ábra31**

Az alapműködéshez döntse a nyírópengéket a nyírás irányába, majd nyugodt, lassú tempóban, méterenként 3–4 másodperces sebességgel mozgassa.

► **Ábra32**

A sövény tetejének egyenes nyírásához feszítsen ki egy madzagot a kívánt magasságban, és nyírjon annak mentén.

► **Ábra33**

A forgácstálca összegyűjti a levágott leveleket, és megkönnyíti a munka elvégzése utáni takarítást.

► **Ábra34**

Segíthet a sövény oldalának egyenesre nyírásában, ha alulról felfelé halad a vágással.

► **Ábra35**

Ha lekerekített formát nyír (például puszpángot vagy rododendront), a szép forma elérése érdekében a gyökerektől haladjon felfelé.

► **Ábra36**

KARBANTARTÁS

▲ VIGYÁZAT: Minden esetben ellenőrizze, hogy a szerszám ki van kapcsolva és az akkumulátor eltávolításra került mielőtt átvizsgálja a szerszámot vagy annak karbantartását végzi.

A termék BIZTONSÁGÁNAK és MEGBÍZHATÓSÁGÁNAK fenntartása érdekében a javításokat és más karbantartásokat vagy beállításokat a Makita hivatalos vagy gyári szervizközpontjában kell elvégezni, mindig csak Makita cserealkatrészeket használva.

A szerszám tisztítása

A szerszámról egy száraz, vagy egy szappanos vízbe mártott és kicsavart ruhával törölje le a port.

MEGJEGYZÉS: Soha ne használjon gázolajt, benzint, hígítót, alkoholt vagy hasonló anyagokat. Ezek elszíneződést, alakvesztést vagy repedést okozhatnak.

Nyírópenge karbantartása

Munkavégzés előtt és munkavégzés közben óránként vigyen fel alacsony viszkozitású olajat (gépolajat vagy aeroszolos kenőolajat) a nyírópengékre.

► **Ábra37**

A használat után egy drótkéfével távolítsa el a port a nyírópengékről, törölje le azokat egy kendővel, majd kenje meg alacsony viszkozitású olajjal (gépolajjal vagy aeroszolos kenőolajjal).

► **Ábra38**

MEGJEGYZÉS: Ne mossa a nyírópengéket vízben. Ha így tesz, azzal a szerszám rozsdásodását vagy károsodását okozhatja.

MEGJEGYZÉS: A szennyeződés és a rozsdá a pengék túlzott súrlódását eredményezi, és lerövidíti az akkumulátor töltésenként biztosított üzemi idejét.

Tárolás

A gép alján található akasztónyílás jól használható a szerszám falból kiálló szögére vagy csavarra való felakasztásához.

Távolítsa el a szerszámból az akkumulátort, majd tegye fel a védőburkolatot, hogy a pengék ne legyenek szabadon. A szerszámot olyan helyen tárolja, ahol gyerekek nem érhetik el. A szerszámot olyan helyen tárolja, amely nincs kitéve nedvességnek vagy esőnek.

► **Ábra39:** 1. Furat

Nyírópengék reszelése

MEGJEGYZÉS: Ha a reszelés jelentősen deformálta a nyírópengéket, cserélje ki azokat újakra.

1. Helyezze be az akkumulátort a szerszámba.
2. Kapcsolja be és indítsa el a szerszámot, hogy a felső és az alsó penge úgy helyezkedjen el, hogy nem fedj egymást.
▶ **Ábra40**
3. Kapcsolja ki a szerszámot, és távolítsa el belőle az akkumulátort.
4. Állítsa a reszelőt 45°-os szögbe, majd reszelje meg az alsó pengét a reszelővel 3 irányból.
▶ **Ábra41:** (1) Reszelő (2) 45°

⚠ VIGYÁZAT: A nyírópengék reszelése előtt ellenőrizze, hogy a szerszám ki van kapcsolva, és az akkumulátor eltávolításra került.

5. Helyezze a szerszámot fejjel lefelé, majd távolítsa el a lehúzókövel a nyírópengékről a sorját.

▶ **Ábra42:** 1. Lehúzókö

6. Állítsa a reszelőt 45°-os szögbe, majd reszelje meg az alsó pengét a reszelővel 3 irányból.

7. Fordítsa vissza a szerszámot a rendes pozícióba, majd távolítsa el a lehúzókövel a nyírópengékről a sorját.

Zsirral kenés

Kenési intervallum: minden 5 órányi működés után

1. A kenéshez vegye ki a fejecsavart a furatból.

▶ **Ábra43:** 1. Fejecsavar

2. Vegye le a zsírzó edény kupakját. Igazítsa a zsírzó edény kimenetét a fedélen lévő furathoz, majd nyomja a zsírzó edény kimenetét a furatra.

▶ **Ábra44:** 1. Zsírzó edény 2. Furat

3. Tegye a szerszámra a zsírt (útmutatásként körülbelül 5 g-ot).

4. Szorítsa meg a fejecsavart.

HIBAEHÁRÍTÁS

Mielőtt a szervizhez fordulna, először végezzen saját maga is átvizsgálást. Ha olyan problémát talál, amire a kézikönyv nem tartalmaz magyarázatot, ne próbálja meg szétszedni az eszközt. Ehelyett kérjen tanácsot a Makita hivatalos szervizközpontjától, és javításhoz mindig Makita cserealkatrészeket használjon.

Rendellenesség	Lehetséges ok (meghibásodás)	Megoldás
A motor nem működik.	Az akkumulátor nincs a gépben.	Helyezze a gépbe az akkumulátort.
	Akkumulátorprobléma (alacsony feszültség)	Töltse fel az akkumulátort. Ha az újratöltés nem elég hatékony, cserélje ki az akkumulátort.
	A meghajtórendszer nem működik megfelelően.	Javításért forduljon a kijelölt helyi szervizhez.
A motor rövid használat után leáll.	Az akkumulátor töltési szintje alacsony.	Töltse fel az akkumulátort. Ha az újratöltés nem elég hatékony, cserélje ki az akkumulátort.
	Túlmelegedés.	Hagyja abba a gép használatát, és várja meg, amíg lehűl.
A szerszám nem éri el a maximális fordulatszámot.	Az akkumulátort helytelenül szerelték be.	Az akkumulátort az útmutató szerint szerelje be.
	Az akkumulátor feszültsége nagy mértékben csökken.	Töltse fel az akkumulátort. Ha az újratöltés nem elég hatékony, cserélje ki az akkumulátort.
	A meghajtórendszer nem működik megfelelően.	Javításért forduljon a kijelölt helyi szervizhez.
A nyírópengék nem mozognak: ⇒ azonnal állítsa le a gépet!	Idegen tárgyak akadtak a nyírópengék közé.	1. Használja az irányváltó gombot. 2. Kapcsolja ki a szerszámot, és távolítsa el az akkumulátort, majd távolítsa el az idegen tárgyakat egy szerszám, például fogó segítségével.
	A meghajtórendszer nem működik megfelelően.	Javításért forduljon a kijelölt helyi szervizhez.
A gép rendellenesen rezeg: ⇒ azonnal állítsa le a gépet!	A nyírópengék eltörtek, elhajoltak vagy elhasználódtak.	Cserélje ki a nyírópengéket.
	A meghajtórendszer nem működik megfelelően.	Javításért forduljon a kijelölt helyi szervizhez.
A nyírópengék és a motor nem állnak le: ⇒ Haladéktalanul távolítsa el az akkumulátort!	Elektromos meghibásodás.	Vegye ki az akkumulátort, és javításért forduljon a kijelölt helyi szakszervizhez.

OPCIONÁLIS KIEGÉSZÍTŐK

⚠ VIGYÁZAT: Ezen kiegészítőket és tartozékokat javasoljuk a kézikönyvben ismertetett Makita szerszámhoz. Bármilyen más kiegészítő vagy tartozék használata a személyi sérülés kockázatával jár. A kiegészítőt vagy tartozékot csak rendeltetésszerűen használja.

Ha bármilyen segítségre vagy további információkra van szüksége ezekkel a tartozékokkal kapcsolatban, keresse fel a helyi Makita Szervizközpontot.

- Nyírópenge szerelvény
- Forgácstálca
- Zsírzó edény
- Eredeti Makita akkumulátor és töltő

MEGJEGYZÉS: A listán felsorolt néhány kiegészítő megtalálható az eszköz csomagolásában standard kiegészítőként. Ezek országonként eltérőek lehetnek.

TECHNICKÉ ŠPECIFIKÁCIE

Model:	UH013G	UH014G
Dĺžka čepele	600 mm	750 mm
Pohyby za minútu	2 000/3 600/5 000 min ⁻¹	
Celková dĺžka	1 085 mm	1 225 mm
Menovité napätie	Jednosmerný prúd 36 V – 40 V max.	
Čistá hmotnosť	3,9 – 4,5 kg	4,0 – 4,7 kg
Trieda ochrany	IPX4	

- Vzhľadom k neustálemu výskumu a vývoju podliehajú technické údaje uvedené v tomto dokumente zmenám bez upozornenia.
- Technické údaje sa môžu pre rôzne krajiny líšiť.
- Hmotnosť sa môže líšiť v závislosti od nastavcov vrátane akumulátora. Najľahšia a najťažšia kombinácia v súlade s postupom EPTA 01/2014 je uvedená v tabuľke.

Použiteľné akumulátory a nabíjačky

Akumulátor	BL4020* / BL4025* / BL4040* / BL4050F * : Odporúčaný akumulátor
Nabíjačka	DC40RA / DC40RB / DC40RC

- Niektoré vyššie uvedené akumulátory a nabíjačky môžu byť nedostupné v závislosti od miesta vášho bydliska.

VAROVANIE: Používajte iba akumulátory a nabíjačky zo zoznamu uvedeného vyššie. Používanie akýchkoľvek iných akumulátorov a nabíjačiek môže spôsobiť zranenie a/alebo požiar.




Odporúčaný káblom pripájaný napájací zdroj

Prenosný napájací zdroj	PDC01 / PDC1200
-------------------------	-----------------

- Vyššie uvedené káblom pripájané napájacie zdroje nemusia byť dostupné v závislosti od miesta vášho bydliska.
- Pred použitím káblom pripájaného napájacieho zdroja si prečítajte pokyny a na nich uvedené označenia s upozornením.

Symbody

Nižšie sú uvedené symbody, ktoré sa môžu používať pri tomto nástroji. Je dôležité, aby ste poznali ich význam, skôr než začnete pracovať.

	Prečítajte si návod na obsluhu.
	NEBEZPEČENSTVO – Nepribližujte sa rukami k čepeľ.
	Používajte ochranné okuliare.



Len pre štáty EÚ

Z dôvodu prítomnosti nebezpečných komponentov v zariadení môžu mať odpad z elektrických a elektronických zariadení, použité akumulátory a batérie negatívny vplyv na životné prostredie a ľudské zdravie.

Elektrické a elektronické zariadenia alebo akumulátory nelikvidujte spolu s komunálnym odpadom!

V súlade s európskou smernicou o odpade z elektrických a elektronických zariadení, o akumulátoroch a batériách a odpade z akumulátorov a batérií, ako aj v súlade s prispôbenými vnútroštátnymi právnymi predpismi by sa odpad z elektrických a elektronických zariadení a použité akumulátory a batérie mali uskladňovať osobitne a odovzdávať na samostatnom zbernom mieste pre komunálny odpad, ktoré sa prevádzkuje v súlade s predpismi na ochranu životného prostredia.

Označuje to symbol preškrtnutej smetnej nádoby na zariadení.

Určené použitie

Toto zariadenie je určené na strihanie živých plotov.

Hluk

Platná norma : EN62841-4-2

Model	Úroveň akustického tlaku		Hladina akustického výkonu	
	L _{pA} (dB(A))	Odchýlka K (dB (A))	L _{WA} (dB(A))	Odchýlka K (dB (A))
UH013G	80	3	91	3
UH014G	81	3	92	3

POZNÁMKA: Deklarovaná hodnota emisií hluku bola meraná podľa štandardnej skúšobnej metódy a môže sa použiť na porovnanie jedného nástroja s druhým.

POZNÁMKA: Deklarovaná hodnota emisií hluku sa môže použiť aj na predbežné posúdenie vystavenia ich účinkom.

VAROVANIE: Používajte ochranu sluchu.

VAROVANIE: Emisie hluku sa môžu počas skutočného používania elektrického nástroja odlišovať od deklarovanej hodnoty, a to v závislosti od spôsobov používania náradia a najmä typu spracúvaného obrobku.

VAROVANIE: Nezabudnite označiť bezpečnostné opatrenia s cieľom chrániť obsluhu, a to tie, ktoré sa zakladajú na odhade vystavenia účinkom v rámci reálnych podmienok používania (berúc do úvahy všetky súčasti prevádzkového cyklu, ako sú doby, kedy je nástroj vypnutý a kedy beží bez zaťaženia, ako dodatok k dobe zapnutia).

Vibrácie

Celková hodnota vibrácií (trojosový vektorový súčet) určená podľa štandardu EN62841-4-2:

Model	Predná rukoväť		Zadná rukoväť	
	ah (m/s ²)	Odchýlka K (m/s ²)	ah (m/s ²)	Odchýlka K (m/s ²)
UH013G	2,5	1,5	2,5 m/s ² alebo menej	1,5
UH014G	3,2	1,5	2,5 m/s ² alebo menej	1,5

POZNÁMKA: Deklarovaná celková hodnota vibrácií bola meraná podľa štandardnej skúšobnej metódy a môže sa použiť na porovnanie jedného nástroja s druhým.

POZNÁMKA: Deklarovaná celková hodnota vibrácií sa môže použiť aj na predbežné posúdenie vystavenia ich účinkom.

VAROVANIE: Emisie vibrácií sa môžu počas skutočného používania elektrického nástroja odlišovať od deklarovanej hodnoty, a to v závislosti od spôsobov používania náradia a najmä typu spracúvaného obrobku.

VAROVANIE: Nezabudnite označiť bezpečnostné opatrenia s cieľom chrániť obsluhu, a to tie, ktoré sa zakladajú na odhade vystavenia účinkom v rámci reálnych podmienok používania (berúc do úvahy všetky súčasti prevádzkového cyklu, ako sú doby, kedy je nástroj vypnutý a kedy beží bez zaťaženia, ako dodatok k dobe zapnutia).

Vyhlasenie o zhode ES

Len pre krajinu Európy

Vyhlasenie o zhode ES sa nachádza v prílohe A tohto návodu na obsluhu.

BEZPEČNOSTNÉ VAROVANIA

Všeobecné bezpečnostné predpisy pre elektrické nástroje

VAROVANIE: Preštudujte si všetky bezpečnostné varovania, pokyny, vyobrazenia a technické špecifikácie určené pre tento elektrický nástroj. Pri nedodržaní všetkých nižšie uvedených pokynov môže dôjsť k úrazu elektrickým prúdom, požiaru alebo vážnemu zraneniu.

Všetky výstrahy a pokyny si odložte pre prípad potreby v budúcnosti.

Pojem „elektrický nástroj“ sa vo výstrahách vzťahuje na elektricky napájané elektrické nástroje (s káblom) alebo batériu napájané elektrické nástroje (bez kábla).

Bezpečnostné varovania pre akumulátorové nožnice na živé ploty

1. **Zabráňte tomu, aby sa ktorákoľvek časť tela dostala do dosahu čepele.** Počas doby, kedy sa čepele pohybujú, neodstraňujte odrezaný materiál ani nedržte materiál, ktorý budete odrezávať. Čepele sa pohybujú aj po vypnutí motora. Chvíľa nepozornosti počas používania nožnic na živé ploty môže spôsobiť vážne osobné poranenie.
2. **Nožnice na živý plot prenášajte za rúkovať, keď je čepeľ zastavená a dávajte pozor, aby ste nezapli hlavný vypínač.** Správnym prenášaním nožnic na živý plot sa zníži riziko neúmyselného spustenia a následného zranenia osôb čepeľami.
3. **Počas prepravy alebo uskladnenia nožnic na živé ploty vždy nasadte kryt čepele.** Správnu manipuláciu s nožnicami na živé ploty sa zníži riziko zranení osôb spôsobených čepeľami.
4. **Pri odstraňovaní zaseknutého materiálu alebo vykonávaní servisu zariadenia skontrolujte, či sú všetky vypínače vypnuté a akumulátor vybratý alebo odpojený.** Neočakávané zapnutie nožnic na živé ploty počas odstraňovania zaseknutého materiálu alebo vykonávania servisu môže viesť k vážnym zraneniam osôb.
5. **Nožnice na živý plot pri práci držte len za izolované úchopné povrchy, lebo čepeľ sa môže dostať do kontaktu so skrytými vodičmi.** Čepele, ktoré sa dostanú do kontaktu s vodičom pod napätím, môžu spôsobiť prechod elektrického prúdu odhalenými kovovými časťami nožnic na živé ploty a spôsobiť tak obsluhu zásah elektrickým prúdom.
6. **Nedovoľte, aby sa napájacie káble a iné káble dostali do oblastí strihaniá.** Napájacie a iné káble môžu byť skryté za živým plotom alebo kríkmi a neúmyselne preseknuté čepeľou.
7. **Nožnice na živý plot nepoužívajte počas zlých poveternostných podmienok, najmä ak hrozí riziko bleskov.** Zníži sa tak riziko zasiahnutia bleskom.

Ďalšie bezpečnostné pokyny

Príprava

1. **Pred použitím nástroja skontrolujte, či ploty alebo kríky neobsahujú cudzie predmety, ako napríklad drôtené ploty alebo skryté káble.**
2. **Nástroj nesmú používať deti a mladiství do veku 18 rokov.** Na osoby staršie ako 16 rokov sa toto obmedzenie nemusí vzťahovať, ak absolvujú zaškolenie pod dohľadom odborníka.
3. **Neskúseným používateľom by mal používanie nástroja predviesť skúsený používateľ.**

4. **S nástrojom pracujte, len ak ste v dobrom fyzickom stave.** Ak ste unavení, vaša pozornosť bude znížená. Zvlášť opatrní buďte na konci pracovného dňa. Všetky úkony vykonávajte pokojne a dôkladne. Používateľ je zodpovedný za škody spôsobené tretím stranám.
5. **Nástroj nikdy nepoužívajte pod vplyvom alkoholu, drog alebo liekov.**
6. **Pracovné rukavice z hrubej kože predstavujú základné vybavenie tohto nástroja a pri práci s nimi je nutné tieto ochranné pomôcky vždy používať.** Vždy používajte hrubé topánky s podrážkou zabraňujúcou pošmyknutiu.
7. **Pred začatím práce skontrolujte, či je nástroj v dobrom a bezpečnom prevádzkovom stave.** Skontrolujte, či sú chrániče nasadené správnym spôsobom. Nástroj sa nesmie používať, pokiaľ nie je úplne zmontovaný.

Prevádzka

1. **Počas používania nástroj držte pevne oboma rukami.**
2. **Nástroj je určený na používanie zo stola na zemi.** Nástroj nepoužívajte na rebrikoch alebo akejkoľvek inej nestabilnej podpere.
3. **NEBEZPEČENSTVO - Ruky držte v dostatočnej vzdialenosti od čepele.** Kontakt s čepeľou bude mať za následok vážne osobné poranenia.
4. **Pred začatím prevádzky zaujmite bezpečný postoj.**
5. **Nepoužívajte náradie zbytočne bez záťaž.**
6. **Ak čepele nožnic prišli do styku s oplotením alebo iným tvrdým predmetom, okamžite vypnite nástroj a vyberte akumulátor.** Skontrolujte čepele a v prípade poškodenia ich nechajte okamžite vymeniť.
7. **Pred kontrolou čepelel nožnic, zisťovaním poruchy alebo v prípade odstraňovania materiálu zachyteného medzi čepeľami nožnic nástroj vždy vypnite a vyberte akumulátor.**
8. **Čepele nožnic nikdy nemierne na seba ani na iných.**
9. **Ak sa čepele prestanú pohybovať v dôsledku zaseknutia cudzích predmetov medzi čepeľami počas prevádzky, vypnite nástroj, vyberte akumulátor a pomocou náradia, ako sú kliešte, odstráňte cudzie predmety.** Ak budete cudzie predmety vyberať rukami, môže dojsť k ublíženiu na zdraví vzhľadom na skutočnosť, že čepele sa môžu pohnúť pri reakcii na odstraňovanie cudzích predmetov.
10. **Keď používate nástroj na blatistom podklade, mokrom svahu alebo klzkom povrchu, dbajte na správny postoj.**
11. **Neponáhajte nástroj do mláky.**
12. **Nenechávajte nástroj bez dozoru vonku v daždi.**

Bezpečnosť pri práci s elektrickým náradím a akumulátorom

1. **Vyhňte sa nebezpečným prostrediam.** Nástroj nepoužívajte vo vlhkých alebo mokrych prostrediach ani ho nevystavujte účinkom dažďa. Ak do nástroja vnikne voda, zvyšší sa tým riziko zasiahnutia elektrickým prúdom.

2. **Akumulátor(y) nelikvidujte odhodením do ohňa.** Článok môže vybuchnúť. Informácie o možných zvláštnych predpisoch týkajúcich sa likvidácie nájdete v miestnych zákonoch.
3. **Akumulátor(y) neotvárajte ani neznehodnocujte.** Uvoľnený elektrolyt je leptavý a môže spôsobiť poškodenie zraku alebo pokožky. V prípade požitia môže byť jedovatý.
4. **Batériu nenabíjajte na daždi ani na mokrych miestach.**
5. **Akumulátor nenabíjajte v exteriéri.**
6. **Nedotýkajte sa nabíjačky vrátane zástrčky a nabíjajúcich svoriek mokrymi rukami.**
7. **Akumulátor nevymieňajte mokrymi rukami.**
8. **Akumulátor nevymieňajte v daždi.**
9. **Nezvlhčujte konektor akumulátora kvapalinou, napríklad vodou, ani neponárajte akumulátor do kvapalín. Akumulátor nenechávajte na daždi, ani ho nenabíjajte, nepoužívajte ani neskladujte na vlhkom alebo mokrom mieste.** Ak sa konektor navlhčí alebo ak do akumulátora vnikne kvapalina, môže dôjsť k skratu akumulátora a hrozí riziko prehriatia, požiaru alebo výbuchu.
10. **Po vytiahnutí akumulátora z nástroja alebo nabíjačky nezabudnite na akumulátor pripevniť kryt a uskladnite ho na suchom mieste.**
11. **Ak do akumulátora vnikne voda, vylejte ju a utrite ho suchou handrou. Pred opätovným používaním nechajte akumulátor úplne vyschnúť na suchom mieste.**

Údržba a uskladnenie

1. **Pred vykonávaním akejkoľvek údržby nástroj vypnite z neho akumulátor.**
2. **Počas prenášania nástroja na iné miesto vrátane prenášania počas vykonávania práce vždy vyberte akumulátor a na čepele nožnic nasadte kryt čepele. Nikdy neprenášajte ani neprevádzajte nástroj s čepeľami v činnosti. Čepele nikdy nechytajte rukami.**
3. **Po použití a pred dlhodobým uskladnením nástroja vyčistite nástroj a najmä čepele nožnic. Čepele zľahka naolejujte a nasadte na kryt.**
4. **Nástroj uskladňujte s nasadeným krytom v suchej miestnosti. Udržujte mimo dosahu detí. Nástroj nikdy neuskladňujte vonku.**
5. **Akumulátor(y) nelikvidujte odhodením do ohňa. Článok môže vybuchnúť. Informácie o možných zvláštnych predpisoch ohľadne likvidácie nájdete v miestnych zákonoch.**
6. **Akumulátor(y) neotvárajte ani neznehodnocujte. Uvoľnený elektrolyt je leptavý a môže spôsobiť poškodenie zraku alebo pokožky. V prípade požitia môže byť jedovatý.**
7. **Batériu nenabíjajte na daždi ani na mokrych miestach.**
8. **Pri uskladnení nástroja sa vyhýbajte priamemu slnku a dažďu a skladujte ho na mieste, kde nie je príliš teplo ani vlhko.**

TIETO POKYNY USCHOVAJTE.

VAROVANIE: NIKDY nepripustíte, aby sebavedomie a dobrá znalosť výrobku (získané opakovaním používaním) nahradili presné dodržiavanie bezpečnostných pravidiel pre náradie. **NESPRÁVNE POUŽÍVANIE** alebo nedodržiavanie bezpečnostných zásad uvedených v tomto návode môže viesť k vážnemu zraneniu.

Dôležité bezpečnostné a prevádzkové pokyny pre akumulátor

1. **Pred použitím akumulátora si prečítajte všetky pokyny a výstážne označenia na (1) nabíjačke akumulátorov, (2) akumulátore a (3) produkte používajúcom akumulátor.**
2. **Akumulátor nerozoberajte ani neupravujte.** Môže to viesť k požiaru, nadmernému teplu alebo výbuchu.
3. **Ak sa doba prevádzky príliš skráti, ihneď prerušte prácu. Môže nastať riziko prehriatia, možných popálením či dokonca explózie.**
4. **V prípade zasiahnutia oči elektrolytom ich vypláchnite čistou vodou a okamžite vyhľadajte lekársku pomoc. Môže dôjsť k strate zraku.**
5. **Akumulátor neskratujte:**
 - (1) **Nedotýkajte sa konektorov žiadnym vodivým materiálom.**
 - (2) **Neskladujte akumulátor v obale s inými kovovými predmetmi, napríklad klíncami, mincami a pod.**
 - (3) **Akumulátor nevystavujte vode ani dažďu. Skrat akumulátora môže spôsobiť veľký tok prúdu, prehriatie, možné popáleniny či dokonca poruchu.**
6. **Nástroj ani akumulátor neskladujte a nepoužívajte na miestach s teplotou presahujúcou 50 °C (122 °F).**
7. **Akumulátor nespálujte, ani keď je vážne poškodený alebo úplne opotrebovaný. Akumulátor môže v ohni explodovať.**
8. **Akumulátor neprepichujte, neprerezávajte, nedrhte, nehádzte ani ho nenarúšajte údermi o tvrdé predmety. Môže to viesť k požiaru, nadmernému teplu alebo výbuchu.**
9. **Nepoužívajte poškodený akumulátor.**
10. **Lítium-iónové akumulátory, ktoré sú súčasťou náradia, podliehajú požiadavkám legislatívy o nebezpečnom tovare.**

V prípade obchodnej prepravy, napr. dodanie tretími stranami či špeditériami, sa musia dodržiavať špeciálne požiadavky na zabalenie a označenie. Pred prípravou položky na odoslanie sa vyžaduje konzultácia s odborníkom na nebezpečný materiál. Taktiež treba dodržiavať potenciálne podrobnejšie predpisy príslušnej krajiny. Prelepte alebo zakryte otvorené kontakty a zabalte akumulátor tak, aby sa v balíku nemohol voľne pohybovať.
11. **Akumulátor pri likvidácii odstráňte z nástroja a zlikvidujte ho na bezpečnom mieste. Akumulátor zlikvidujte v súlade s miestnymi nariadeniami.**

12. **Akumulátory používajte iba s výrobkami uvedenými spoločnosťou Makita.** Inštalácia akumulátorov do nevyhovujúcich výrobkov môže spôsobiť požiar, nadmerné teplo, výbuch alebo únik elektrolytov.
13. **Ak sa nástroj dlhší čas nepoužíva, odstráňte z neho akumulátor.**
14. **Akumulátor sa môže počas používania a po použití zohriať, čo môže spôsobiť popáleniny alebo popáleniny aj pri relatívne nízkej teplote.** Pri manipulácii s horúcimi akumulátormi dávajte pozor.
15. **Nedotýkajte sa svorky nástroja ihneď po použití, keďže sa mohla zohriať dostatočne na to, aby spôsobila popáleniny.**
16. **Zabráňte zachytávaniu triesok, prachu alebo zeminy na svorkách, otvoroch a drážkach akumulátora.** Môže to spôsobiť zohriatie, požiar, výbuch a poruchu nástroja alebo akumulátora, v dôsledku čoho môže dôjsť k popáleninám alebo zraneniu osôb.
17. **Pokiaľ nástroj nepodporuje používanie v blízkosti vysokonapäťových elektrických vedení, nepoužívajte akumulátor blízko vysokonapäťových elektrických vedení.** Môže to viesť k nesprávnemu fungovaniu alebo poškodeniu nástroja alebo akumulátora.
18. **Akumulátor držte mimo dosahu detí.**

TIETO POKYNY USCHOVAJTE.

⚠️ POZOR: Používajte len originálne akumulátory od spoločnosti Makita. Používanie batérií, ktoré nie sú od spoločnosti Makita, alebo upravených batérií môže spôsobiť výbuch batérie a následný požiar, zranenie osôb alebo poškodeniu majetku. Následkom bude aj zrušenie záruky od spoločnosti Makita na nástroj a nabíjačku od spoločnosti Makita.

Rady na udržanie maximálnej životnosti akumulátora

1. **Akumulátor nabite ešte predtým, ako sa úplne vybije.** Vždy prerušte prácu s nástrojom a nabite akumulátor, keď spozorujete nižší výkon nástroja.
2. **Nikdy nenabíjate plne nabitý akumulátor.** Prebíjanie skracuje životnosť akumulátora.
3. **Akumulátor nabíjajte pri izbovej teplote 10 °C – 40 °C (50 °F – 104 °F).** Pred nabíjaním nechajte horúci akumulátor vychladnúť.
4. **Keď akumulátor nepoužívate, vyberte ho z nástroja alebo nabíjačky.**
5. **Lítium-iónový akumulátor nabite, ak ste ho nepoužívali dlhšie ako šesť mesiacov.**

OPIS FUNKCIÍ

⚠️ POZOR: Pred úpravou alebo kontrolou funkčnosti nástroja vždy skontrolujte, či je nástroj vypnutý a akumulátor je vybratý.

Inštalácia alebo demontáž akumulátora

⚠️ POZOR: Pred inštaláciou alebo vybratím akumulátora nástroj vždy vypnite.

⚠️ POZOR: Pri inštalovaní a vyberaní akumulátora pevne uchopíte nástroj a akumulátor. Ak nástroj a akumulátor pevne neuchopíte, môže to mať za následok vyšmyknutie z vašich rúk s dôsledkom poškodenia nástroja a akumulátora, ako aj osobných poranení.

► **Obr.1:** 1. Červený indikátor 2. Tlačidlo 3. Akumulátor

Ak chcete vybrať akumulátor, vysuňte ho z nástroja, pričom posuňte tlačidlo na prednej strane akumulátora.

Akumulátor vložíte tak, že jazýček akumulátora zarovnáte s drážkou v kryte a zasuniete ho na miesto. Zatlacíte ho úplne, kým zakliknutím nezapadne na miesto. Ak vidíte červený indikátor, ako je znázornené na obrázku, nie je správne zaistený.

⚠️ POZOR: Akumulátor vždy nainštalujte úplne, až kým nie je vidieť červený indikátor. V opačnom prípade môže náhodne vypadnúť z nástroja a ublížiť vám alebo osobám v okolí.

⚠️ POZOR: Pri inštalovaní akumulátora nepoužívajte silu. Ak sa akumulátor nedá zasunúť ľahko, nevkladáte ho správne.

Indikácia zvyšnej kapacity akumulátora

Stlačením tlačidla kontroly na akumulátore zobrazíte zostávajúcu kapacitu akumulátora. Indikátory sa na niekoľko sekúnd rozsvietia.

► **Obr.2:** 1. Indikátory 2. Tlačidlo kontroly

Indikátory			Zostávajúca kapacita
Svieti	Nesvieti	Bliká	
■	□	◐	75 % až 100 %
■	■	□	50 % až 75 %
■	■	□	25 % až 50 %
■	□	□	0 % až 25 %
◐	□	□	Akumulátor nabite.
■	■	□	Akumulátor je možno chybný.
□	□	■	

POZNÁMKA: V závislosti od podmienok používania a v závislosti od okolitej teploty sa môže zobrazenie mierne odlišovať od skutočnej kapacity.

POZNÁMKA: Prvý (úplne vľavo) svetelný indikátor bude blikať, keď systém ochrany akumulátora funguje.

Systém na ochranu nástroja/akumulátora

Nástroj je vybavený systémom ochrany nástroja/akumulátora. Tento systém automaticky vypne napájanie motora s cieľom predĺžiť životnosť nástroja a akumulátora. Nástroj sa počas prevádzky automaticky zastaví v prípade, ak sa nástroj dostane do jedného z nasledujúcich stavov:

► **Obr.3:** 1. Výstražný indikátor

Výstražný indikátor			Stav
Farba	● Svetí	● Bliká	
Zelená	●	●	Preťaženie
Červená	● (nástroj) / ● (akumulátor)		Prehriatie
Červená	●		Prlišné vybitie

UPOZORNENIE: Ak sa do nástroja namotajú konáre alebo sa zablokuje z dôvodu nahromadenia nečistôt, v závislosti od podmienok používania sa automaticky a bez akéhokoľvek upozornenia vypne. V takom prípade vypnite nástroj a vyberte akumulátor a potom odstráňte namotané konáre alebo nečistoty pomocou nástrojov, ako sú kliešte. Po odstránení konárov alebo nečistôt nainštalujte akumulátor a nástroj znova zapnite.

Ochrana proti preťaženiu

Ak sa nástroj alebo akumulátor preťaží namotanými vetvami alebo inými nečistotami, automaticky sa vypne a výstražný indikátor začne blikať nazeleno.

V tejto situácii vypnite náradie a ukončíte prácu, ktorá spôsobuje jeho preťažovanie. Potom náradie znova zapnite.

Ochrana náradia/akumulátora pred prehrievaním

Ak sa nástroj alebo akumulátor prehreje, nástroj sa automaticky zastaví. Keď je nástroj prehriaty, výstražný indikátor svieti načerveno. Keď je akumulátor prehriaty, výstražný indikátor bliká načerveno. Nechajte zariadenie a/alebo akumulátor pred opätovným spustením zariadenia vychladnúť.

Ochrana pred nadmerným vybitím

Keď je kapacita akumulátora nízka, nástroj sa automaticky vypne a výstražný indikátor bude blikať načerveno. Ak nástroj nefunguje ani po použití vypínačov, vyberte akumulátor z nástroja a nabite ho.

Ochrana pred ďalšími nebezpečenstvami

Systém ochrany bol navrhnutý tak, aby chránil aj pred ďalšími nebezpečenstvami, ktoré by mohli poškodiť nástroj, a zaisťuje automatické zastavenie nástroja. Ak sa nástroj dočasne zastavil alebo prerušil prevádzku, problém vyriešte vykonaním nasledujúcich krokov.

1. Reštartujte nástroj tak, že ho vypnete a potom znova zapnete.
2. Nabite akumulátory alebo ich vymeňte za nabité akumulátory.
3. Nechajte stroj aj akumulátory vychladnúť.

Ak po obnovení systému ochrany nedošlo k zlepšeniu stavu, obráťte sa na miestne servisné stredisko spoločnosti Makita.

Obsluha hlavného vypínača

VAROVANIE: V záujme vašej bezpečnosti je tento nástroj vybavený páčkou, ktorá bráni jeho neúmyselnému spusteniu. Nástroj NIKDY nepoužívajte, ak ste ho do prevádzky uviedli len stlačením spúšťacích spínačov a nestlačili ste pritom páčku. PRED ďalším použitím vráťte nástroj do autorizovaného servisného strediska, kde ho dôkladne opravia.

VAROVANIE: NIKDY neignorujte účel a nezneškodňujte funkčnosť páčky.

VAROVANIE: Pred inštaláciou akumulátora do nástroja vždy skontrolujte, či sa spúšťacie spínače a páčka riadne uvádzajú do chodu a pri uvoľnení sa vracajú do polohy „OFF“ (VYP.). Prevádzka nástroja s nesprávne fungujúcim spúšťacím spínačom môže viesť k strate ovládania a k vážnym poraneniam osôb.

POZOR: Počas prenášania nikdy nemajte prst na spúšťacích spínačoch. Nástroj sa môže nečakane spustiť a spôsobiť zranenie.

UPOZORNENIE: Spúšťací spínač stlačte len so súčasným stlačením páčky. V opačnom prípade sa môže spínač zlomiť.

Nástroj zapnete stlačením hlavného vypínača. Nástroj vypnete stlačením a podržaním hlavného vypínača, kým indikatory otočok nezhasnú.

► **Obr.4:** 1. Hlavný vypínač

POZNÁMKA: Výstražný indikátor bliká, ak spúšťací spínač potiahnete v podmienkach, v ktorých sa nástroj nedá použiť. Keď zapnete hlavný vypínač a zároveň podržite páčku a spúšťací spínač v dolnej polohe, výstražný indikátor bude blikať.

POZNÁMKA: Tento nástroj disponuje funkciou automatického vypnutia. Hlavný vypínač sa automaticky vypne, ak po určitej dobe od jeho zapnutia nevytiahnete spúšťací spínač, aby sa zabránilo neúmyselnému spusteniu.



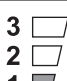






Spúšťací spínač je pred náhodným stlačením chránený páčkou. Nástroj spustíte stlačením predného spúšťacieho spínača a následným stlačením zadného spúšťacieho spínača pri súčasnom stlačení páčky. Keď uvoľníte ktorýkoľvek zo spúšťacích spínačov, nástroj sa zastaví.

► **Obr.5:** 1. Páčka 2. Zadný spúšťací spínač 3. Predný spúšťací spínač

Úprava otáčok

Otáčky nástroja môžete upraviť stlačením hlavného vypínača. Pri každom stlačení hlavného vypínača sa zmení úroveň otáčok.

► **Obr.6:** 1. Indikátor otáčok 2. Hlavný vypínač

Indikátor otáčok	Režim	Rýchlosť zdvihu
  	Vysoké	5 000 min ⁻¹
  	Stredné	3 600 min ⁻¹
  	Nízke	2 000 min ⁻¹

Tlačidlo spätného chodu na odstránenie nečistôt

VAROVANIE: Ak nie je možné odstrániť namotané konáre alebo nečistoty pomocou funkcie spätného chodu, vypnite nástroj a vyberte akumulátor a potom odstráňte namotané konáre alebo nečistoty pomocou nástrojov, ako sú kliešte. Ak sa nástroj nevypne a akumulátor sa nevyberie, v prípade náhodného spustenia hrozí vážne zranenie. Odstránenie namotáných konárov alebo úlomkov rúk môže spôsobiť zranenie, pretože sa čepele nožnic pri snahe o ich odstránenie môžu posunúť.

Tento nástroj je vybavený tlačidlom spätného chodu, ktoré slúži na zmenu smeru pohybu čepeľí nožnic. Slúži len na odstránenie konárov a nečistôt namotáných na náradí.

Ak chcete aktivovať spätný pohyb čepeľí nožnic, po zastavení čepeľí nožnic stlačte tlačidlo spätného chodu, potom potiahnite predný spúšťací spínač a následne zadný spúšťací spínač a zároveň stlačte páčku. Indikátory otáčok začnú blikať a čepele nožnic sa budú pohybovať v opačnom smere.

Po odstránení namotáných konárov a nečistôt sa nástroj vráti k normálnemu pohybu a indikátory rýchlosti prestanú blikať a budú svietiť.

► **Obr.7:** 1. Indikátor otáčok 2. Prepínač zmeny smeru

POZNÁMKA: Ak nie je možné odstrániť namotané konáre alebo nečistoty, uvoľnite spúšťacie spínače, stlačte tlačidlo spätného chodu a potom stlačte spúšťacie spínače, kým sa konáre alebo nečistoty neodstránia.

POZNÁMKA: Ak klepnete na tlačidlo spätného chodu, kým sa čepele nožnic stále posúvajú, náradie sa zastaví a bude pripravené na pohyb v opačnom smere.

Elektronické funkcie

Nástroj je kvôli jednoduchšej obsluhu vybavený elektronickými funkciami.

- Regulácia konštantných otáčok
Funkcia ovládania otáčok zaisťuje stále otáčky bez ohľadu na záťaž.
- Elektrická brzda
Tento nástroj je vybavený elektrickou brzdou. Ak sa nástroju nepretržite nedarí rýchlo zastaviť čepele nožnic po uvoľnení spúšťacieho spínača, nechajte si nástroj opraviť v autorizovanom servisnom stredisku spoločnosti Makita.
- Funkcia na zabránenie náhodnému spusteniu
Ak počas ťahania spúšťacieho spínača vložíte akumulátor, nástroj sa nespustí. Nástroj spustíte tak, že najprv uvoľníte spúšťací spínač a potom ho potiahnete.

ZOSTAVENIE

POZOR: Pred vykonaním akejkoľvek práce na nástroji vždy skontrolujte, či je nástroj vypnutý a akumulátor je vybratý.

POZOR: Pri výmene čepeľí nožnic majte vždy nasadené rukavice, aby sa vaše ruky nedostali do priameho kontaktu s čepeľami.

UPOZORNENIE: Pri výmene čepeľí nožnic neutierajte mazivo z prevodu a kľuky.

Montáž a demontáž čepeľí nožnic

POZOR: Pred demontážou alebo montážou čepeľí nožnic nasadte kryt čepeľí.

Na nástroj môžete nainštalovať 600 mm alebo 750 mm čepele nožnic.

POZNÁMKA: Ak vymeníte čepele nožnic za čepele s inou dĺžkou, nahraďte zberač odrezkov zberačom, ktorý zodpovedá čepeľiam.

1. Odstráňte štyri skrutky (pre UH013G) alebo päť skrutiek (pre UH014G) a potom vyberte zberač odrezkov z nástroja.

Pre model UH013G

► **Obr.8:** 1. Zberač odrezkov 2. Skrutka

Pre model UH014G

► **Obr.9:** 1. Zberač odrezkov 2. Skrutka

2. Držte nástroj otočený naopak a odstráňte šesť skrutiek.

► **Obr.10:** 1. Skrutka

3. Vyberte kryt a dosku.

► **Obr.11:** 1. Kryt 2. Doštička

POZNÁMKA: Doštička môže zostať na kryte.

4. Vyberte tyč a ložisko.

► **Obr.12:** 1. Tyč 2. Ložisko

POZNÁMKA: Tyč alebo ložisko môžu zostať na kryte.

5. Odstráňte tri skrutky, tri objímky a plstený kotúč a potom odstráňte čepele nožnic.

- **Obr.13:** 1. Skrutka 2. Objímka 3. Plstený kotúč
4. Čepele nožnic

UPOZORNENIE: Dávajte pozor, aby ste nestra-tili skrutky.

6. Demontujte kryt čepeľí a nasadte ho na nové čepele nožnic.

- **Obr.14**

7. Nastavte kľuku tak, aby boli dva otvory zarovnané s líniou zarovnaní.

- **Obr.15:** 1. Otvor 2. Línia zarovnaní

8. Vyrovnajte výčnelky na čepeľiach nožnic vertikálne v rovnakej polohe.

- **Obr.16:** 1. Výčnelok

9. Vložte skrutku odstránenú v kroku 5 do otvorov na kryte čepeľí a čepeľiach nožnic na dočasné uchytenie čepeľí nožnic a potom k čepeľiam nožnic pripevnite plstený kotúč.

- **Obr.17:** 1. Skrutka 2. Plstený kotúč 3. Otvor

10. Vložte výčnelok na čepeľiach nožnic do otvoru na tyči, potom zarovnajte polohu plsteného kotúča s otvormi na nástroji. Pripevnite dve nové objímky.

- **Obr.18:** 1. Plstený kotúč 2. Výčnelok 3. Otvor
4. Objímka

UPOZORNENIE: Naneste malé množstvo maziva na vnútorný okraj otvoru tyče.

UPOZORNENIE: Dávajte pozor, aby ste nestra-tili objímky.

11. Zarovnajte otvory na objímkach a čepeľiach nožnic s otvormi na nástroji, potom dotiahnite dve skrutky na dočasné uchytenie čepeľí nožnic.

- **Obr.19:** 1. Skrutka

12. Odstráňte skrutku vloženú do otvoru na čepeľiach nožnic v kroku 9 a potom nasuňte kryt čepeľí.

- **Obr.20:** 1. Skrutka

13. Nasadte novú objímku.

- **Obr.21:** 1. Objímka

14. Dotiahnite skrutku spolu s objímkou na upevnenie čepeľí nožnic.

- **Obr.22:** 1. Skrutka

15. Pevne dotiahnite skrutky, ktoré ste dočasne upevnili v kroku 11.

16. Nasadte ložisko a tyč.

- **Obr.23:** 1. Tyč 2. Malý otvor 3. Ložisko

UPOZORNENIE: Naneste malé množstvo maziva na vnútorný okraj malého otvoru tyče.

UPOZORNENIE: Uistite sa, že výčnelok na čepeľiach nožnic zapadá do malého otvoru na tyči.

17. Pripevnite doštičku.

- **Obr.24:** 1. Výčnelok 2. Doštička

UPOZORNENIE: Uistite sa, že výčnelok na čepeľiach nožnic zapadá do otvoru na doštičke.

18. Pripevnite kryt a potom dotiahnite šesť skrutiek.

- **Obr.25:** 1. Skrutka 2. Kryt

19. Pripevnite k nástroju zberač odrezkov dotiahnutím štyroch skrutiek (pre UH013G) alebo piatich skrutiek (pre UH014G).

Pre model UH013G

- **Obr.26:** 1. Zberač odrezkov 2. Skrutka

Pre model UH014G

- **Obr.27:** 1. Zberač odrezkov 2. Skrutka

UPOZORNENIE: Ak sa čepele nožnic nehýbu plynule, čepele nožnic nie sú v správnom kontakte s tyčami. Opätovne namontujte čepele nožnic.

UPOZORNENIE: Ak dôjde k opotrebovaniu iných dielov, ako sú čepele nožnic, napr. tyčí, požiadajte autorizované servisné strediská spoločnosti Makita o náhradné diely či opravu.

Demontáž alebo montáž zberača odrezkov

▲POZOR: Pri montáži alebo demontáži zberača odrezkov vždy používajte rukavice, aby sa vaše ruky nedostali do priameho kontaktu s čepeľami nožnic.

Zberač odrezkov zachytáva odstrihnuté listy a výrazne uľahčuje následné upratovanie.

Na odstránenie zberača odrezkov odstráňte štyri skrutky (pre UH013G) alebo päť skrutiek (pre UH014G) a potom vyberte zberač odrezkov z nástroja. Pri inštalácii zberača odrezkov postupujte rovnako ako pri jeho odstraňovaní, len v opačnom poradí.

Pre model UH013G

- **Obr.28:** 1. Zberač odrezkov 2. Skrutka

Pre model UH014G

- **Obr.29:** 1. Zberač odrezkov 2. Skrutka

PREVÁDZKA

▲VAROVANIE: Ruky držte mimo čepeľí nožnic.

▲POZOR: Podľa možnosti sa vyhnite prevádzkovaní zariadenia pri mimoriadne horúcom počasí. Pri prevádzkovaní zariadenia dávajte pozor na svoj fyzický stav.

▲POZOR: Počas strihania dávajte pozor, aby ste náhodne neprišli do styku s kovovým opletením alebo inými tvrdými predmetmi. Čepele nožnic sa môžu zlomiť a spôsobiť zranenie.

▲POZOR: Dávajte pozor, aby čepele nožnic neprišli do kontaktu so zemou. Môže dôjsť k spätnému rázu zariadenia a následnému zraneniu.

▲POZOR: Snaha prekračovať dosah nožnic na živé plody, a to obzvlášť z rebrika, je veľmi nebezpečná. Činnosť strihania nevykonávajte, keď stojíte na vratkom a nestabilnom predmete.

UPOZORNENIE: Nepokúšajte sa s týmto zariadením strihať vetvy hrubšie ako 10 mm v priemere. Pred použitím tohto zariadenia odstrihnite konáre pomocou nožníc na konáre na dĺžku o 10 cm kratšiu ako výška kosenia.

► Obr.30: (1) Výška kosenia (2) 10 cm

UPOZORNENIE: Nepoužívajte na odstrihovanie odumretých stromov a podobných tvrdých predmetov. V opačnom prípade môže dôjsť k poškodeniu zariadenia.

UPOZORNENIE: Pomocou čepelí nožníc na živé plochy nestrihajte trávu ani burinu. Čepele nožníc by sa mohli zamotať do trávy alebo buriny.

Pravou rukou uchopte prednú rukoväť a ľavou rukou zadnú rukoväť. Stlačte predný spúšťač spínača, následne stlačte zadný spúšťač spínača pri súčasnom stlačení páčky a pohybujte nástrojom dopredu.

► Obr.31

V rámci bežnej prevádzky skloňte čepele nožníc smerom k smeru strihania a pohybujte nimi pokojne a pomaly rýchlosťou jeden meter za 3 až 4 sekundy.

► Obr.32

Ak chcete rovnomerne orezať živý plot, môžete uviazať špagát na požadovanú výšku a strihať pozdĺž neho.

► Obr.33

Zberač odrezkov zachytáva odstrihnuté listy a výrazne uľahčuje následné upratovanie.

► Obr.34

Na rovnomerné ostrihanie živého plota je dobré, ak budete strihať smerom zdola nahor.

► Obr.35

Keď striháte na okrúhly tvar (strihanie krušpánu alebo rododendronu), strihajte od koreňa smerom hore na dosiahnutie krásneho výsledku.

► Obr.36

ÚDRŽBA

▲POZOR: Pred vykonaním kontroly alebo údržby vždy skontrolujte, či je nástroj vypnutý a akumulátor je vybatý.

Ak chcete udržať BEZPEČNOSŤ a BEZPORUCHOVOSŤ výrobku, prenechajte opravy, údržbu a nastavenie na autorizované alebo továrenské servisné centrá Makita, ktoré používajú len náhradné diely značky Makita.

Čistenie zariadenia

Zariadenie očistite utretím prachu čistou handričkou alebo handričkou navlhčenou mydlovou vodou a následne vyčmykáno.

UPOZORNENIE: Nepoužívajte benzín, riedidlo, alkohol ani podobné látky. Mohlo by to spôsobiť zmenu farby, deformácie alebo praskliny.

Údržba čepelí nožníc

Pred použitím zariadenia alebo po každej hodine prevádzky naneste na čepele nožníc olej s nízkou viskozitou (strojový olej alebo mazací olej v spreji).

► Obr.37

Po používaní odstráňte prach z čepelí nožníc pomocou drôtenej kefy, utrite ich handričkou a naneste na čepele nožníc olej s nízkou viskozitou (strojový olej alebo mazací olej v spreji).

► Obr.38

UPOZORNENIE: Čepele nožníc neumývajte vo vode. V opačnom prípade môže dôjsť k hrdzaveniu alebo k poškodeniu zariadenia.

UPOZORNENIE: Nečistoty a korózia spôsobujú nadmerné trenie čepelí a skracujú prevádzkový čas nabitého akumulátora.

Uskladnenie

Otvor na zavesenie v spodnej časti zariadenia je vhodný na zavesenie náradia na kliniec alebo skrutku v stene.

Vyberte akumulátor z nástroja, nasadte kryt čepelí na čepele nožníc, aby čepele neboli odkryté. Zariadenie bezpečne uskladnite mimo dosahu detí. Nástroj uskladnite na mieste, ktoré nie je vystavené vplyvu vlhkosti ani vody.

► Obr.39: 1. Otvor

Brúsenie čepelí nožníc

UPOZORNENIE: Ak sú čepele nožníc výrazne zdeformované brúsením, vymeňte čepele nožníc za nové.

1. Namontujte na nástroj akumulátor.
2. Zapnite a spustite nástroj tak, aby sa vrchná čepel a spodná čepel striedali.

► Obr.40

3. Vypnite nástroj a vyberte akumulátor z nástroja.
4. Nastavte uhol pilníka na 45° a nabrúste vrchnú čepel pomocou pilníka z 3 smerov.

► Obr.41: (1) Pilník (2) 45°

▲POZOR: Pred brúsením čepelí nožníc sa uistite, že je nástroj vypnutý a že je akumulátor vybatý z nástroja.

5. Umiestnite nástroj naopak a potom pomocou brúsneho kameňa odstráňte nerovnosti z čepelí nožníc.

► Obr.42: 1. Brúsný kameň

6. Nastavte uhol pilníka na 45° a nabrúste spodnú čepel pomocou pilníka z 3 smerov.

7. Vráťte nástroj do normálnej polohy a potom pomocou brúsneho kameňa odstráňte nerovnosti z čepelí nožníc.

Nanášanie maziva

Interval mazania: Každých 50 prevádzkových hodín

1. Vyberte skrutku z otvoru na mazanie.

► **Obr.43:** 1. Skrutka

2. Odstráňte viečko z nádoby s mazivom. Zarovnajzte otvor nádoby s mazivom s otvorom na kryte a zatlačte otvor nádoby do otvoru na kryte.

► **Obr.44:** 1. Nádoba na mazivo 2. Otvor

3. Naneste mazivo na nástroj (pomôcka: približne 5 g).

4. Dotiahnite skrutku.

RIEŠENIE PROBLÉMOV

Pred požiadanim o vykonanie opravy najprv vykonajte vlastnú kontrolu. Ak zistíte problém, ktorý nie je vysvetlený v návode, nepokúšajte sa nástroj rozoberať. Namiesto toho požiadajte o opravu autorizované servisné strediská spoločnosti Makita, ktoré používajú len náhradné diely značky Makita.

Chybný stav	Predpokladaná príčina (porucha)	Náprava
Motor nebeží.	Nie je nainštalovaný akumulátor.	Nainštalujte akumulátor.
	Problém akumulátora (podpätie)	Dobite akumulátor. Pokiaľ dobíjanie nie je účinné, vymeňte akumulátor.
	Systém pohonu nefunguje správne.	O opravu požiadajte miestne autorizované servisné stredisko.
Motor po krátkom používaní zastane.	Nabitie akumulátora nie je dostatočné.	Dobite akumulátor. Pokiaľ dobíjanie nie je účinné, vymeňte akumulátor.
	Prehrievanie.	Prestaňte náradie používať a nechajte ho vychladnúť.
Nástroj nedosahuje hodnotu maximálnych otáčok za minútu.	Akumulátor nie je nainštalovaný správne.	Akumulátor nainštalujte podľa popisu v tomto návode.
	Výkon akumulátora klesá.	Dobite akumulátor. Pokiaľ dobíjanie nie je účinné, vymeňte akumulátor.
	Systém pohonu nefunguje správne.	O opravu požiadajte miestne autorizované servisné stredisko.
Čepele nožnic sa nepohybujú: ⇒ okamžite náradie zastavte!	Medzi čepeľami nožnic sú zachytené cudzie predmety.	1. Použite tlačidlo spätného chodu. 2. Vypnite nástroj a vyberte akumulátor, potom pomocou vhodných nástrojov, napr. klieští, odstráňte zachytené cudzie predmety.
	Systém pohonu nefunguje správne.	O opravu požiadajte miestne autorizované servisné stredisko.
Nadmerné vibrácie: ⇒ okamžite náradie zastavte!	Čepele nožnic sú prasknuté, ohnuté alebo opotrebované.	Vymeňte čepele nožnic.
	Systém pohonu nefunguje správne.	O opravu požiadajte miestne autorizované servisné stredisko.
Čepele nožnic a motor sa nezaštvia: ⇒ Ihneď odnňte akumulátor!	Elektrická porucha.	Odnňte akumulátor a o opravu požiadajte miestne autorizované servisné stredisko.

VOLITEĽNÉ PRÍSLUŠENSTVO

⚠ POZOR: Pre váš nástroj Makita, opísaný v tomto návode, doporučujeme používať toto príslušenstvo a nástavce. Pri použití iného príslušenstva či nástavcov môže hroziť nebezpečenstvo zranenia osôb. Príslušenstvo a nástavce sa môžu používať len na účely pre ne stanovené.

Ak potrebujete bližšie informácie týkajúce sa tohoto príslušenstva, obráťte sa na vaše miestne servisné stredisko firmy Makita.

- Zostava čepelí nožníc
- Zberač odrezkov
- Nádoba na mazivo
- Originálna batéria a nabíjačka Makita

POZNÁMKA: Niektoré položky zo zoznamu môžu byť súčasťou balenia nástrojov vo forme štandardného príslušenstva. Rozsah týchto položiek môže byť v každej krajine odlišný.

SPECIFIKACE

Model:	UH013G	UH014G
Délka čepele	600 mm	750 mm
Počet zdvihů za minutu	2 000 / 3 600 / 5 000 min ⁻¹	
Celková délka	1 085 mm	1 225 mm
Jmenovité napětí	36 V – 40 V DC max	
Čistá hmotnost	3,9 – 4,5 kg	4,0 – 4,7 kg
Stupeň ochrany	IPX4	

- Vzhledem k neustálému výzkumu a vývoji zde uvedené technické údaje podléhají změnám bez upozornění.
- Specifikace se mohou pro různé země lišit.
- Hmotnost se může lišit v závislosti na nástavcích a přídatných zařízeních, včetně akumulátoru. Nejlehčí a nejtěžší kombinace, dle EPTA-Procedure 01/2014, jsou uvedeny v tabulce níže.

Použitelný akumulátor a nabíječka

Akumulátor	BL4020* / BL4025* / BL4040* / BL4050F * : Doporučený akumulátor
Nabíječka	DC40RA / DC40RB / DC40RC

- V závislosti na regionu vašeho bydliště nemusí být některé akumulátory a nabíječky k dispozici.

VAROVÁNÍ: Používejte pouze výše uvedené akumulátory a nabíječky. Použití jiných akumulátorů a nabíječek může způsobit zranění a/nebo požár.




Doporučený drátový zdroj napájení

Přenosný akumulátor	PDC01 / PDC1200
---------------------	-----------------

- V závislosti na regionu vašeho bydliště nemusí být drátové zdroje napájení uvedené výše k dispozici.
- Než začnete používat drátový zdroj napájení, přečtěte si pokyny a varovné symboly na nich.

Symbyoly

Níže jsou uvedeny symboly, se kterými se můžete při použití náradí setkat. Je důležité, abyste dříve, než s ním začnete pracovat, pochopili jejich význam.

	Přečtěte si návod k obsluze.
	NEBEZPEČÍ – Udržujte své ruce v bezpečné vzdálenosti od nože.
	Noste ochranné brýle.



Ni-MH
Li-ion

Pouze pro země EU

Z důvodu přítomnosti nebezpečných součástí v zařízeních mohou odpadní elektrické a elektronické zařízení, akumulátory a baterie negativně ovlivnit životní prostředí a lidské zdraví. Elektrické a elektronické spotřebiče ani akumulátory nevyhazujte do domovního odpadu!

V souladu s evropskou směrnicí o odpadních elektrických a elektronických zařízeních, akumulátorech a bateriích a odpadních akumulátorech a bateriích, stejně jako jejím přizpůsobením ve vnitrostátním právu, by odpadní elektrická zařízení, baterie a akumulátory měly být uchovávány odděleně a měly by být odevzdvány na vyhrazeném sběrném místě komunálního odpadu, které je provozováno v souladu s předpisy na ochranu životního prostředí. Toto je označeno symbolem přeškrtnuté popelnice na kolečkách, který je umístěn na zařízení.

Účel použití

Náradí je určeno k zastřihování živých plotů.

Hlučnost

Příslušná norma : EN62841-4-2

Model	Hladina akustického tlaku		Hladina akustického výkonu	
	L _{pA} (dB(A))	Nejistota K (dB (A))	L _{WA} (dB(A))	Nejistota K (dB (A))
UH013G	80	3	91	3
UH014G	81	3	92	3

POZNÁMKA: Celková(é) hodnota(y) emisí hluku byla(y) změřena(y) v souladu se standardní zkušební metodou a dá se použít k porovnání nářadí mezi sebou.

POZNÁMKA: Hodnotu(y) deklarovaných emisí hluku lze také použít k předběžnému posouzení míry expozice vibracím.

VAROVÁNÍ: Používejte ochranu sluchu.

VAROVÁNÍ: Emise hluku se při používání elektrického nářadí ve skutečnosti mohou od deklarované(hých) hodnot(y) lišit v závislosti na způsobech použití nářadí.

VAROVÁNÍ: Nezapomeňte stanovit bezpečnostní opatření na ochranu obsluhy podle odhadu expozice ve skutečných podmínkách použití. (Vezměte přitom v úvahu všechny části provozního cyklu, tj. kromě doby zátěže například doby, kdy je nářadí vypnuté a kdy běží naprázdno.)

Vibrace

Celková hodnota vibrací (vektorový součet tří os) určená podle normy EN62841-4-2:

Model	Přední držadlo		Zadní držadlo	
	ah (m/s ²)	Nejistota K (m/s ²)	ah (m/s ²)	Nejistota K (m/s ²)
UH013G	2,5	1,5	2,5 m/s ² nebo méně	1,5
UH014G	3,2	1,5	2,5 m/s ² nebo méně	1,5

POZNÁMKA: Celková(é) hodnota(y) deklarovaných vibrací byla(y) změřena(y) v souladu se standardní zkušební metodou a dá se použít k porovnání nářadí mezi sebou.

POZNÁMKA: Celkovou(é) hodnotu(y) deklarovaných vibrací lze také použít k předběžnému posouzení míry expozice vibracím.

VAROVÁNÍ: Emise vibrací se při používání elektrického nářadí ve skutečnosti mohou od deklarované(hých) hodnot(y) lišit v závislosti na způsobech použití nářadí.

VAROVÁNÍ: Nezapomeňte stanovit bezpečnostní opatření na ochranu obsluhy podle odhadu expozice ve skutečných podmínkách použití. (Vezměte přitom v úvahu všechny části provozního cyklu, tj. kromě doby zátěže například doby, kdy je nářadí vypnuté a kdy běží naprázdno.)

Prohlášení ES o shodě

Pouze pro evropské země

Prohlášení ES o shodě je obsaženo v Příloze A tohoto návodu k obsluze.

BEZPEČNOSTNÍ VÝSTRAHY

Obecná bezpečnostní upozornění k elektrickému nářadí

VAROVÁNÍ: Přečtěte si všechny bezpečnostní výstrahy i pokyny a prohlédněte si ilustrace a specifikace dodané k tomuto elektrickému nářadí. Nedodržení všech níže uvedených pokynů může vést k úrazu elektrickým proudem, požáru či vážnému zranění.

Všechna upozornění a pokyny si uschovejte pro budoucí potřebu.

Pojem „elektrické nářadí“ v upozorněních označuje elektrické nářadí, které se zapojuje do elektrické sítě, nebo elektrické nářadí využívající akumulátory.

Bezpečnostní varování k akumulátorovému zastríhovači

1. **Udržujte všechny části těla v bezpečné vzdálenosti od nože. Neodstraňujte stríhaný materiál a nedrže materiál, když se nože pohybují.** Nože se po vypnutí spínače nadále pohybují. Chvilce nepozornosti při používání plotostřihů může mít za následek vážné zranění.
2. **Plotostřih noste za rukojeť s vypnutými noži a dávejte pozor, aby nedošlo k zapnutí jakéhokoliv spínače.** Správný způsob přenašení plotostřihů sníží riziko náhodného spuštění a následného zranění noží.

3. Při přepravě a skladování plotostříhu vždy na nože nasadte kryt. Správný způsob manipulace s plotostříhem snižuje riziko zranění noží.
4. Při odstraňování zaseknutého materiálu nebo opravách zařízení se ujistěte, že jsou všechny napájecí spínače vypnuté a akumulátor je vyjmutý nebo odpojený. Neočekávané spuštění plotostříhu během odstraňování zaseknutého materiálu nebo oprav může způsobit vážné zranění.
5. Plotostřih držte pouze za izolované části držadel, neboť nože mohou narazit na skryté elektrické vedení. Nože mohou při kontaktu s vodičem pod napětím přenést proud do nechráněných částí nářadí a obsluha může utrpět úraz elektrickým proudem.
6. Všechny napájecí kabely musí být mimo oblast zastříhávání. Napájecí kabely se mohou ukrývat v živém plotu nebo krově, a může tak dojít k jejich nechtěnému přefíznutí nožem plotostříhu.
7. S plotostříhem nepracujte za nepříznivého počasí, zvláště existuje-li nebezpečí bouřek. Snižuje se tím riziko zasažení bleskem.
7. Před kontrolou stříhacích nožů, opravováním nářadí či odstraňováním materiálu zachyceného ve stříhacích nožích vždy vypněte nářadí a vymějte akumulátor.
8. Nikdy nemiřte stříhacími noži na sebe nebo jiné osoby.
9. Jestliže se kotouč přestane za provozu pohybovat v důsledku uvíznutí cizích předmětů mezi noži, vypněte nářadí a vymějte akumulátor; poté odstraňte cizí předměty pomocí vhodného nářadí (například kleští). Odstraňování cizorodých předmětů může mít za následek úrazy, protože nože se mohou pohnout v reakci na odstraňování cizího předmětu.
10. Při používání nářadí v blátivém terénu, na mokřím svahu nebo na kluzkém povrchu dbejte na to, abyste stáli pevně.
11. Nářadí nepoňujte do kaluže.
12. Nenechávejte nářadí venku za deště bez dozoru.

Elektrická bezpečnost a bezpečnost akumulátorů

1. Nepracujte v nebezpečném prostředí. Nářadí nepoužívejte na vlhkých či mokřích místech a nevystavujte je dešti. Vnikne-li do nářadí voda, zvýší se nebezpečí úrazu elektrickým proudem.
2. Akumulátor (akumulátory) nelikvidujte vzhazováním do ohně. Článek mohou vybuchnout. Při likvidaci postupujte podle místních předpisů, jež mohou zahrnovat zvláštní pokyny.
3. Akumulátory neotevírejte a nepoškozujte. Vypuštěný elektrolyt je žíravý a může způsobit poranění očí nebo pokožky. Při spolknutí může být jedovatý.
4. Nenabíjejte baterii v dešti nebo na mokřích místech.
5. Nenabíjejte akumulátor venku.
6. S nabíječkou, včetně zástrčky nabíječky a svorek, nemanipulujte mokřima rukama.
7. Nevymějte akumulátor mokřima rukama.
8. Nevyměňujte akumulátor v dešti.
9. Svorku akumulátoru nevlhčete tekutinou, jako je voda, ani akumulátor nepoňujte. Nenechávejte akumulátor na dešti ani ho nenabíjejte, nevyměňujte, nepoužívejte ani neskladujte na vlhkém či mokřím místě. Pokud svorka navlhne nebo se do akumulátoru dostane kapalina, může dojít ke zkratu, a tedy k přehřátí, požáru nebo výbuchu.
10. Po vyjmutí akumulátoru z nářadí či nabíječky zajistěte jeho upevnění do krytu akumulátorů a uložte jej v suchu.
11. Pokud se akumulátor namočí, vylijte z něj vodu a následně jej usušte suchým hadříkem. Před použitím akumulátor zcela vysušte na suchém místě.

Údržba a skladování

1. Před prováděním jakékoli údržby nářadí vypněte a vymějte akumulátor.
2. Při přenášení nářadí na jiné místo (i při práci) vždy vymějte akumulátor a na stříhací nože nasadte kryt. Nikdy nářadí nepřenašejte ani nepřeppravujte s běžícími noži. Nářadí nikdy neberte do rukou za nože.
3. Po použití a před dlouhodobějším skladováním nářadí očistěte – zejména stříhací nože. Lehce naolejujte nože a nasadte kryt.

Daší bezpečnostní pokyny

Příprava

1. Před prací s nářadím zkontrolujte, zda živé ploty a křoviny neskrývají cizí předměty, například drátěné ploty nebo elektrické vedení.
2. Nářadí nesmí používat děti a osoby mladší 18 let. Mladiství starší 16 let mohou být tohoto omezení zproštěni, pokud pod dohledem odborníka absolvují školení.
3. Uživatelé, kteří používají nářadí poprvé, by měli požádat o radu ohledně používání zkušené uživatele.
4. S nářadím pracujte pouze tehdy, pokud jste v dobrém fyzickém stavu. Únava vede ke snížení pozornosti. Opatrní buďte zejména na konci pracovního dne. Veškerou práci provádějte klidně a opatrně. Uživatel je zodpovědný za všechny škody způsobené třetími stranám.
5. Nikdy nepoužívejte nářadí pod vlivem alkoholu, drog nebo léků.
6. K základnímu vybavení nářadí patří silné kožené rukavice, které je nutné při práci vždy používat. Používejte také pevnou obuv s protiskluzovou podrážkou.
7. Před zahájením práce zkontrolujte, zda je nářadí v dobrém stavu umožňujícím bezpečné používání. Zkontrolujte, zda jsou správně nainstalovány kryty. Nářadí nesmí být používáno, pokud není kompletní.

Obsluha

1. Při práci držte nářadí pevně a oběma rukama.
2. Nářadí je určeno k používání na úrovni země. Nepoužívejte nářadí na žebříku nebo jiném nestabilním povrchu.
3. **NEBEZPEČÍ** - Nepřibližujte ruce k noži. Kontakt s nožem způsobí vážné zranění.
4. Před zahájením práce se ujistěte, že máte prostor pro stabilní postoj.
5. Nástroj zbytečně nespouštějte naprázdno.
6. Pokud se nože dostanou do kontaktu s oplocením či jiným tvrdým objektem, okamžitě vypněte nářadí a vymějte akumulátor. Zkontrolujte, zda nejsou nože poškozeny, a jsou-li poškozeny, okamžitě je vyměňte.

4. Nářadí skladujte s nasazeným krytem v suché místnosti. Uchovávejte jej mimo dosah dětí. Nikdy nářadí neskladujte venku.
5. Akumulátor (akumulátory) nelikvidujte vzhováním do ohně. Články mohou vybuchnout. Při likvidaci postupujte podle místních předpisů, jež mohou zahrnovat zvláštní pokyny.
6. Akumulátory neotevírejte a nepoškozujte. Vypuštěný elektrolyt je žíravý a může způsobit poranění očí nebo pokožky. Při spolknutí může být jedovatý.
7. Nenabíjete baterii v dešti nebo na mokřích místech.
8. Při skladování nářadí se vyvarujte přímého slunečního svitu a deště a uložte jej na místo, které se nezahřívá ani nevlhne.
10. Obsažené lithium-iontové akumulátory podléhají právním požadavkům na nebezpečné zboží. V případě komerční přepravy například externími dopravci je třeba dodržet zvláštní požadavky na balení a značení.
Pro přípravu zboží k přepravě je nutná konzultace s odborníkem na nebezpečný materiál. Dodržujte také případné podrobnější národní předpisy. Odkryté kontakty přelepte izolační páskou či jinak zakryjte a akumulátory zabalte tak, aby se v balení nemohly pohybovat.

TYTO POKYNY USCHOVEJTE.

⚠VAROVÁNÍ: NEDOVOLTE, aby pohodlnost nebo pocit znalosti výrobku (získaný na základě předchozího použití) vedl k zanedbání dodržování bezpečnostních pravidel platných pro tento výrobek. NESPRÁVNÉ POUŽÍVÁNÍ či nedodržení bezpečnostních pravidel uvedených v tomto návodu k obsluze může způsobit vážné zranění.

Důležitá bezpečnostní upozornění pro akumulátor

1. Před použitím akumulátoru si přečtěte všechny pokyny a varovné symboly na (1) nabíječce, (2) akumulátoru a (3) výrobku využívajícím akumulátor.
2. Nerozebírejte akumulátor ani do něj nijak nezasahujte. Může dojít k požáru, nadměrnému zahřátí nebo výbuchu.
3. Pokud se příliš zkrátí provozní doba akumulátoru, přerušte okamžitě práci. V opačném případě existuje riziko přehřívání, popálení nebo dokonce výbuchu.
4. Budou-li vaše oči zasaženy elektrolytem, vypláchněte je čistou vodou a okamžitě vyhledejte lékařskou pomoc. Může dojít ke ztrátě zraku.
5. Akumulátor nezkratujte:
 - (1) Nedotýkejte se svorek žádným vodivým materiálem.
 - (2) Neskladujte akumulátor v nádobě s jinými kovovými předměty, jako jsou hřebíky, mince, apod.
 - (3) Nevystavuje akumulátor vodě a dešti. Zkrat akumulátoru může způsobit velký průtok proudu, přehřátí, možné popálení a dokonce i poruchu.
6. Neskladujte a nepoužívejte nářadí a akumulátor na místech, kde může teplota překročit 50 °C (122 °F).
7. Nespálujte akumulátor, ani když je vážně poškozen nebo úplně opotřeben. Akumulátor může v ohni vybuchnout.
8. Akumulátor nesmí být proražen hřebíkem, řezán, drcen, házen či upuštěn na zem, ani nesmí dojít k nárazu tvrdého předmětu do něj. Taková situace může způsobit požár, nadměrné zahřátí či výbuch.
9. Nepoužívejte poškozené akumulátory.

11. Při likvidaci akumulátoru jej vyjměte z nářadí a zlikvidujte jej na bezpečném místě. Při likvidaci akumulátoru postupujte podle místních předpisů.
12. Akumulátor používejte pouze s výrobky specifikovanými společností Makita. Instalace akumulátoru do nevhovujících výrobků může způsobit požár, nadměrné zahřívání, explozi nebo únik elektrolytu.
13. Pokud nářadí delší dobu nepoužíváte, je nutné z něj akumulátor vyjmout.
14. Během a po použití se může akumulátor zahřát, což může způsobit popáleniny nebo podráždění. Při manipulaci s horkými akumulátory dávejte pozor.
15. Nedotýkejte se koncovek na nářadí ihned po použití, protože ta může být horká a způsobit popáleniny.
16. Do koncovek, otvorů a zdiček na akumulátoru se nesmí dostat piliny, prach nebo jiné nečistoty. To může způsobit zahřátí, vznícení, prasknutí a poruchu nářadí nebo akumulátoru, což může vést k popáleninám nebo zranění osob.
17. Jestliže nářadí není zkonstruováno tak, že je lze používat v blízkosti vysokého elektrického napětí, nepoužívejte akumulátor poblíž vedení s vysokým elektrickým napětím. Mohlo by tím dojít k poruše či selhání nářadí či akumulátoru.
18. Akumulátor uchovávejte mimo dosah dětí.

TYTO POKYNY USCHOVEJTE.

⚠UPOZORNĚNÍ: Používejte pouze originální akumulátory Makita. Používání neoriginálních nebo upravených akumulátorů může způsobit explozi akumulátoru a následný požár, zranění a jiné poškození. Zaniká tím také záruka společnosti Makita na nářadí a nabíječku Makita.

Tipy k zajištění maximální životnosti akumulátoru

1. Akumulátor nabíjete dříve, než dojde k jeho úplnému vybití. Pokud si povšimnete sníženého výkonu nářadí, vždy jej zastavte a dobijte akumulátor.
2. Nikdy nenabíjete úplně nabitý akumulátor. Přebíjení zkracuje životnost akumulátoru.
3. Akumulátor dobíjete při pokojové teplotě od 10 °C do 40 °C (50 °F až 104 °F). Před nabíjením nechejte horký akumulátor zchladnout.
4. Když není akumulátor používán, vyjměte ho z nářadí či nabíječky.
5. Pokud se akumulátor delší dobu nepoužívá (déle než šest měsíců), je nutno jej dobít.

POPIS FUNKCÍ

⚠ UPOZORNĚNÍ: Před nastavováním nářadí nebo kontrolou jeho funkce se vždy přesvědčte, zda je vypnuté a je vyjmutý akumulátor.

Nasazení a sejmutí akumulátoru

⚠ UPOZORNĚNÍ: Před nasazením či sejmutím akumulátoru nářadí vždy vypněte.

⚠ UPOZORNĚNÍ: Při nasazování či snímání akumulátoru pevně držte nářadí i akumulátor. V opačném případě vám může nářadí nebo akumulátor vyklouznout z rukou a mohlo by dojít k jejich poškození či ke zranění.

► Obr.1: 1. Červený indikátor 2. Tlačítko 3. Akumulátor

Chcete-li akumulátor sejmout, vysuňte jej se současným přesunutím tlačítka na přední straně akumulátoru.

Při nasazování akumulátoru vyrovnejte jazýček na bloku akumulátoru s drážkou v krytu a zasuňte akumulátor na místo. Akumulátor zasuňte na doraz, až zacvakne na své místo. Není-li zcela zajištěn, uvidíte červený indikátor dle obrázku.

⚠ UPOZORNĚNÍ: Akumulátor zasunujte vždy zcela tak, aby nebyl červený indikátor vidět. Jinak by mohl akumulátor ze zařízení vypadnout a způsobit zranění obsluze či přihlížejícím osobám.

⚠ UPOZORNĚNÍ: Akumulátor nenasazujte násilím. Nelze-li akumulátor zasunout snadno, nevkládáte jej správně.

Indikace zbývající kapacity akumulátoru

Stisknutím tlačítka kontroly na akumulátoru zjistíte zbývající kapacitu akumulátoru. Kontrolky indikátoru se na několik sekund rozsvítí.

► Obr.2: 1. Kontrolky 2. Tlačítko kontroly

Kontrolky			Zbývající kapacita
Svítil	Nesvítil	Bliká	
■	□	◻	75 % až 100 %
■ ■ ■ ■			
■ ■ ■ □			50 % až 75 %
■ ■ □ □			25 % až 50 %
■ □ □ □			0 % až 25 %
◻ □ □ □			Nabijte akumulátor.
■ ■ □ □			Došlo pravděpodobně k poruše akumulátoru.
□ □ ■ ■			

POZNÁMKA: Kapacita udávaná indikátorem se může mírně lišit od skutečné kapacity v závislosti na podmínkách používání a teplotě prostředí.

POZNÁMKA: První kontrolka (zcela vlevo) bude blikat, když je systém ochrany akumulátoru v provozu.

Systém ochrany nářadí a akumulátoru

Nářadí je vybaveno systémem ochrany nářadí a akumulátoru. Tento systém automaticky přeruší napájení motoru, aby se prodloužila životnost nářadí a akumulátoru. Bude-li nářadí vystaveno některé z níže uvedených podmínek, během provozu se automaticky vypne.

► Obr.3: 1. Výstražná kontrolka

Výstražná kontrolka		Stav
Barva	● Svítí / ○ Bliká	
Zelená	○	Přetížení
Červená	● (nářadí) / ○ (akumulátor)	Přehřívání
Červená	○	Přílišné vybití

POZOR: V závislosti na podmínkách použití se nářadí automaticky vypne bez jakéhokoliv upozornění, pokud jsou v něm zamotané větve nebo nečistoty. V tomto případě vypněte nářadí a vyjměte akumulátor. Poté odstraňte zamotané větve a nečistoty pomocí nástrojů jako např. kleště. Po odstranění větví a nečistot namontujte zpět akumulátor a znovu zapněte nářadí.

Ochrana proti přetížení

Pokud jsou nářadí nebo akumulátor přetíženy zamotanými větvemi či jinými materiály, nářadí se automaticky zastaví a výstražná kontrolka začne blikat zeleně. V takové situaci nářadí vypněte a ukončete činnost, při níž došlo k přetížení nářadí. Potom nářadí zapněte a obnovte činnost.

Ochrana proti přehřátí nářadí či akumulátoru

Pokud se nářadí či akumulátor přehřeje, automaticky se vypne. Při přehřátí nářadí se výstražná kontrolka rozsvítí červeně. Při přehřátí akumulátoru bude výstražná kontrolka blikat červeně. Nechte nářadí a/nebo akumulátor před opětovným zapnutím vychladnout.

Ochrana proti přílišnému vybití

Pokud se kapacita akumulátoru sníží, nářadí se automaticky zastaví a výstražná kontrolka začne blikat červeně.

Jestliže nářadí při ovládání prepínače nepracuje, vyjměte vybitý akumulátor z nářadí a nabijte ho.

Ochrana proti jiným závadám

Ochranný systém je také navržen i pro jiné příčiny, které by mohly nářadí poškodit, a umožňuje automatické zastavení nářadí. Když se nářadí dočasně pozastaví nebo přestane pracovat, proveďte veškeré následující kroky k odstranění příčin.

1. Restartujte nářadí jeho vypnutím a opětovným zapnutím.
2. Nabijte akumulátor(y) nebo jej (je) vyměňte za nabitý (nabité).
3. Nechte stroj a akumulátor(y) vychladnout.

Pokud se obnovou ochranného systému nedosáhne žádného zlepšení, obraťte se na místní servisní středisko Makita.

Činnost vypínače

VAROVÁNÍ: K zajištění vaší bezpečnosti je nářadí vybaveno páčkou zamezující nechtěnému spuštění nářadí. NIKDY nepoužívejte nářadí, jež lze spustit pouhým stisknutím spouště bez použití páčky. V takovém případě nářadí PŘED dalším použitím předejte našemu autorizovanému servisnímu středisku k opravě.

VAROVÁNÍ: Páčku NIKDY neuchycujte lepicí páskou v aktivní poloze ani jinak nepotlačujte její funkci.

VAROVÁNÍ: Před vložením akumulátoru do nářadí vždy zkontrolujte, zda správně funguje spoušť a páčka a jestli se po uvolnění vrací do vypnuté polohy. Práce s nářadím bez správně fungujícího spínače může vést ke ztrátě kontroly a vážnému zranění.

UPOZORNĚNÍ: Nikdy nářadí nepřenašete s prstem na spoušti. Nářadí se může nechtěně spustit a způsobit zranění.

POZOR: Nepokoušejte se spoušť aktivovat silou bez stisknutí páčky. Mohlo by dojít k poškození spínače.

Nářadí se zapíná stisknutím hlavního tlačítka napájení. Vypnutí nářadí provedete opětovným stisknutím a přidržením hlavního tlačítka napájení, dokud kontrolky rychlosti nezhasnou.

► Obr.4: 1. Hlavní tlačítko napájení

POZNÁMKA: Pokud je stisknuta spoušť za podmínek, při kterých nářadí nemůže pracovat, začne výstražná kontrolka blikat. Výstražná kontrolka bliká, když stisknete hlavní spínač napájení a současně držíte páčku a spoušť.

POZNÁMKA: Toto nářadí je vybaveno funkcí automatického vypínání. Jako prevence neúmyslného spuštění se hlavní spínač napájení automaticky vypne, pokud není stisknuta spoušť do určité doby po zapnutí hlavního spínače napájení.










K zamezení náhodného stisknutí spouště je zařízení vybaveno páčkou. Nástroj spustíte stisknutím přední spouště a poté zadní spouště, přitom musí být stisknuta páčka. Jestliže uvolníte kteroukoliv ze spouští, nářadí se zastaví.

► Obr.5: 1. Páčka 2. Zadní spoušť 3. Přední spoušť

Nastavení otáček

Otáčky nářadí nastavíte hlavním tlačítkem napájení. Po každém stisknutí hlavního tlačítka napájení se úroveň rychlosti změní.

► Obr.6: 1. Kontrolka rychlosti 2. Hlavní tlačítko napájení

Kontrolka rychlosti	Režim	Rychlost pohybu
3  2  1 	Vysoký	5 000 min ⁻¹
3  2  1 	Střední	3 600 min ⁻¹
3  2  1 	Nízký	2 000 min ⁻¹

Tlačítko zpětných otáček k odstranění odřezků

VAROVÁNÍ: Není-li možné odstranit zamotané větve a nečistoty zpětným chodem, vypněte nářadí a vyjměte akumulátor. Poté odstraňte zamotané větve a nečistoty pomocí nástroje jako např. kleští. Jestliže nářadí nevypnete a nevyjměte z něj akumulátor, může po náhodném spuštění dojít k vážnému zranění. Odstraňování zamotaných větví a nečistot rukama může způsobit zranění, protože stříhací nože se mohou v reakci na odstraňování pohnout.

Toto nářadí je opatřeno tlačítkem zpětného chodu sloužícím ke změně směru pohybu stříhacích nožů. Slouží pouze k odstraňování větví a nečistot zamotaných v nářadí.

Chcete-li změnit směr chodu stříhacích nožů, stiskněte tlačítko zpětného chodu, když jsou stříhací nože zastaveny, stiskněte přední spoušť, poté stlačte páčku a stiskněte zadní spoušť. Kontrolka rychlosti začne blikat a stříhací nože se začnou pohybovat opačným směrem. Když jsou zamotané větve a nečistoty odstraněny, nářadí se vrátí do normálního chodu a kontrolky rychlosti přestanou blikat a rozsvítí se nepřetržitě.

► Obr.7: 1. Kontrolka rychlosti 2. Tlačítko otočení

POZNÁMKA: Není-li zamotané větve a nečistoty možné odstranit, uvolněte obě spouště, poté stiskněte tlačítko zpětného chodu a následně znovu stiskněte obě spouště, a to dokud nejsou nečistoty odstraněny.

POZNÁMKA: Stisknete-li tlačítko zpětného chodu ve chvíli, kdy se stříhací nože stále pohybují, nářadí se vypne a bude připraveno pro režim zpětného chodu.

Elektronické funkce

Nářadí je vybaveno elektronickými funkcemi usnadňujícími provozování.

- Regulátor konstantních otáček
Regulátor konstantních otáček zajišťuje stálou rychlost otáčení bez ohledu na úroveň zatížení.
- Elektrická brzda
Toto nářadí je vybaveno elektrickou brzdou. Pokud po uvolnění spouště opakovaně nedochází k rychlému zastavení stříhacích nožů, předejte nářadí do autorizovaného servisního střediska Makita.
- Funkce prevence neúmyslného opětovného spuštění
Nářadí se nespustí ani při vkládání akumulátoru při stisknutí spoušti. Nářadí spustíte nejprve uvolněním spouště a následným stisknutím spouště.

SESTAVENÍ

⚠ UPOZORNĚNÍ: Před prováděním jakýchkoli prací na nářadí se vždy přesvědčte, zda je vypnuté a je vyjmutý akumulátor.

⚠ UPOZORNĚNÍ: Při nasazování stříhacích nožů vždy používejte rukavice, aby nedošlo k přímému kontaktu čepelí s rukama.

POZOR: Při výměně stříhacích nožů nestírejte mazivo z převodu a kliky.

Montáž a demontáž stříhacích nožů

⚠ UPOZORNĚNÍ: Před montáží a demontáží stříhacích nožů nasadte na nože kryt.

Na nářadí lze namontovat stříhací nože s délkou 600 mm nebo 750 mm.

POZNÁMKA: Jestliže vyměníte stříhací nože za nože s jinou délkou, vyměňte sběrač odřezků za takový typ, který odpovídá novým nožům.

1. Odšroubujte čtyři šrouby (u UH013G) nebo pět šroubů (u UH014G) a poté odejměte sběrač odřezků z nářadí.

Pro typ UH013G

► Obr.8: 1. Sběrač odřezků 2. Šroub

Pro typ UH014G

► Obr.9: 1. Sběrač odřezků 2. Šroub

2. Dejte nářadí do polohy hlavou vzhůru a poté odšroubujte šest šroubů.
► Obr.10: 1. Šroub

3. Odstraňte kryt a desku.

► Obr.11: 1. Kryt 2. Deska

POZNÁMKA: Deska může zůstat na krytu.

4. Odstraňte tyč a ložisko.
► Obr.12: 1. Tyč 2. Ložisko

POZNÁMKA: Tyč nebo ložisko mohou zůstat na krytu.

5. Odstraňte tři šrouby, tři objímky a plstěnou podložku, poté vyjměte stříhací nože.

► Obr.13: 1. Šroub 2. Objímka 3. Plstěná podložka 4. Stříhací nože

POZOR: Dávejte pozor, abyste šrouby neztratili.

6. Sejměte kryt nožů a poté jej připevněte na nové nože.

► Obr.14

7. Upravte kliku tak, aby dva otvory byly srovnány s vyrovnávací linií.

► Obr.15: 1. Otvor 2. Vyrovnávací linie

8. Srovnejte výstupky na stříhacích nožích vertikálně do stejné polohy.

► Obr.16: 1. Výstupek

9. Vložte šroub odstraněný v kroku 5 do otvorů na krytu nožů a stříhacích nožích, čímž je dočasně upevníte, a poté nasadte plstěnou podložku na stříhací nože.

► Obr.17: 1. Šroub 2. Plstěná podložka 3. Otvor

10. Vložte výstupek na stříhacích nožích do otvoru na tyči, poté srovnejte polohu plstěné podložky s otvory na nářadí. Nasadte dvě nové objímky.

► Obr.18: 1. Plstěná podložka 2. Výstupek 3. Otvor 4. Objímka

POZOR: Naneste malé množství vazelíny po vnitřním obvodu otvoru na tyči.

POZOR: Dávejte pozor, abyste objímky neztratili.

11. Srovnejte otvory na objímkách a na stříhacích nožích s otvory na nářadí, poté utáhněte dva šrouby, a zajistíte tak dočasně stříhací nože.

► Obr.19: 1. Šroub

12. Odšroubujte šroub vložený do otvoru na stříhacích nožích v kroku 9, poté nasuňte kryt nožů.

► Obr.20: 1. Šroub

13. Nasadte novou objímku.

► Obr.21: 1. Objímka

14. Stříhací nože upevněte utažením šroubu a objímky.

► Obr.22: 1. Šroub

15. Pevně utáhněte šrouby, které byly dočasně zafixovány v kroku 11.

16. Nasadte ložisko a tyč.

► Obr.23: 1. Tyč 2. Malý otvor 3. Ložisko

POZOR: Naneste malé množství vazelíny po vnitřním obvodu malého otvoru na tyči.

POZOR: Ujistěte se, že výstupek na stříhacích nožích dobře padne do malého otvoru na tyči.

17. Namontujte desku.

► Obr.24: 1. Výstupek 2. Deska

POZOR: Ujistěte se, že výstupek na stříhacích nožích dobře padne do otvoru na desce.

18. Nasadte kryt a utáhněte šest šroubů.

► Obr.25: 1. Šroub 2. Kryt

19. Nasadte sběrač odřezků na nástroj utažením čtyř šroubů (u UH013G) nebo pěti šroubů (u UH014G).

Pro typ UH013G

► **Obr.26:** 1. Sběrač odřezků 2. Šroub

Pro typ UH014G

► **Obr.27:** 1. Sběrač odřezků 2. Šroub

POZOR: Jestliže se stříhací nože nepohybují hladce, nejsou správně spojeny s tyčemi. Namontujte stříhací nože znovu a správně.

POZOR: Jestliže jsou nějaké části kromě stříhacích nožů, například tyče, opotřebované, požádejte autorizované servisní centrum Makita o náhradní díly nebo opravu.

Demontáž a montáž sběrače odřezků

⚠ UPOZORNĚNÍ: Při nasazování nebo odebrání sběrače odřezků vždy používejte rukavice, aby nedošlo k přímému kontaktu stříhacích nožů s rukama.

Sběrač odřezků shromažďuje odpadlé listí a velmi usnadňuje následné čištění.

Chcete-li odstranit sběrač odřezků, odšroubujte čtyři šrouby (u UH013G) nebo pět šroubů (u UH014G) a poté odejměte sběrač odřezků z nářadí. Při montáži sběrače odřezků použijte opačný postup.

Pro typ UH013G

► **Obr.28:** 1. Sběrač odřezků 2. Šroub

Pro typ UH014G

► **Obr.29:** 1. Sběrač odřezků 2. Šroub

PRÁCE S NÁŘADÍM

⚠ VAROVÁNÍ: Nepřibližujte ruce ke stříhacím nožům.

⚠ UPOZORNĚNÍ: S nářadím pokud možno nepracujte v horkém počasí. Při obsluze nářadí na sebe dávejte pozor.

⚠ UPOZORNĚNÍ: Při stříhání dávejte pozor, abyste omylem nezasáhli kovový plot nebo jiné tvrdé objekty. Stříhací nože mohou prasknout a způsobit zranění.

⚠ UPOZORNĚNÍ: Dávejte pozor, aby nepřišli stříhací nože do kontaktu se zemí. Nářadí se může odrazit a způsobit zranění.

⚠ UPOZORNĚNÍ: Přesahování zastříhovačem, zejména ze zebříku, je velice nebezpečné. Při práci nestůjte na kymácejícím se nebo jinak nestabilním povrchu.

POZOR: Nestříhejte s tímto nářadím větve silnější než 10 mm v průměru. Před použitím tohoto nářadí odstříhnete větve 10 cm pod úroveň výšky sečení pomocí nůžek na větve.

► **Obr.30:** (1) Výška sečení (2) 10 cm

POZOR: Nestříhejte uschlé stromy ani podobné tvrdé objekty. V opačném případě může dojít k poškození nářadí.

POZOR: Se stříhacími noži nestříhejte trávu ani plevel. Stříhací nože se mohou zamotat do trávy nebo plevelu.

Držte přední rukojeť pravou rukou a zadní rukojeť levou rukou. Stiskněte přední spoušť, poté stiskněte zadní spoušť, přitom držte stisknutou páčku, a následně pohněte nářadím kupředu.

► **Obr.31**

Při stříhání nakloňte stříhací nože ve směru stříhání a pomalu postupujte tak, abyste přes metr délky přešli za 3 až 4 sekundy.

► **Obr.32**

Chcete-li živý plot stříhat krásně rovně, doporučujeme do požadované výšky natáhnout lanko a stříhat podle něj.

► **Obr.33**

Sběrač odřezků shromažďuje odpadlé listí a velmi usnadňuje následné čištění.

► **Obr.34**

K dosažení rovnoměrného svislého zástříhu je vhodné stříhat zdola nahoru.

► **Obr.35**

Pokud chcete při stříhání dosáhnout zaobleného tvaru (zastříhování zimostrázu nebo rododendronu atd.), stříhejte od kořene k vršku.

► **Obr.36**

ÚDRŽBA

⚠ UPOZORNĚNÍ: Před zahájením kontroly nebo údržby nářadí se vždy ujistěte, zda je vypnuté a je vyjmut akumulátor.

K zachování BEZPEČNOSTI a SPOLEHLIVOSTI výrobku musí být opravy a veškerá další údržba či seřizování prováděny autorizovanými nebo továrními servisními středisky společnosti Makita s využitím náhradních dílů Makita.

Čištění nástroje

Vyčistěte nástroj setřením prachu suchým hadrem nebo hadrem ponořeným do mýdlové vody a vyždímaným.

POZOR: Nikdy nepoužívejte benzín, benzen, ředidlo, alkohol či podobné prostředky. Mohlo by tak dojít ke změnám barvy, deformacím či vzniku prasklin.

Údržba stříhacích nožů

Před provozem nebo jednou za hodinu během provozu na stříhací nože naneste olej s nízkou viskozitou (strojní olej nebo mazací olej ve spreji).

► **Obr.37**

Po provozu odstraňte prach ze stříhacích nožů drátěným kartáčem, setřete je hadrem a poté naneste na stříhací nože olej s nízkou viskozitou (strojní olej nebo mazací olej ve spreji).

► **Obr.38**

POZOR: Nemyjte stříhací nože ve vodě. V opačném případě může dojít ke korozi nebo poškození nástroje.

POZOR: Nečistoty a koroze vyvolají přílišné tření nožů a zkrátí výdrž akumulátoru.

Skladování

Otvor k zavěšení v dolní části nářadí se hodí k zavěšení nářadí na hřebík či šroub ve zdi.

Vyjměte z nářadí akumulátor a poté na stříhací nože nasadte kryt nožů tak, aby nože nebyly odhalené.

Uchovávejte nářadí mimo dosah dětí. Uchovávejte nářadí na místě, kde nebude vystaveno vlhkosti a dešti.

► **Obr.39:** 1. Otvor

Broušení stříhacích nožů

POZOR: Jestliže jsou stříhací nože broušením zásadně deformované, vyměňte je za nové.

1. Namontujte akumulátor do nářadí.

2. Zapněte a spusťte nářadí tak, aby byly horní a spodní nože umístěny střídavě.

► **Obr.40**

3. Vypněte nářadí a vyjměte z něj akumulátor.

4. Nastavte úhel brusného pilníku na 45° a bruste horní nůž ze 3 směrů.

► **Obr.41:** (1) Pilník (2) 45°

⚠ UPOZORNĚNÍ: Před broušením stříhacích nožů se ujistěte, že je nářadí vypnuté a akumulátor z něj vyjmutý.

5. Dejte nářadí do polohy hlavou dolů a za pomoci orovňovacího kamene odstraňte ořepky ze stříhacích nožů.

► **Obr.42:** 1. Orovňovací kámen

6. Nastavte úhel brusného pilníku na 45° a bruste spodní nůž ze 3 směrů.

7. Vraťte nářadí do normální polohy a za pomoci orovňovacího kamene odstraňte ořepky ze stříhacích nožů.

Mazání

Interval mazání: Každých 50 hodin provozu

1. Vyjměte šroub z otvoru za účelem jeho promazání.

► **Obr.43:** 1. Šroub

2. Odstraňte krytku z nádoby s mazivem. Srovnejte výstup nádoby s mazivem s otvorem na krytku, poté vsuňte výstup nádoby s mazivem do otvoru.

► **Obr.44:** 1. Nádoba s mazivem 2. Otvor

3. Naneste do nářadí mazivo (zhruba 5 g).

4. Utáhněte šroub.

ŘEŠENÍ POTÍŽÍ

Před žádostí o opravu proveďte nejprve prohlídku sami. Narazíte-li na problém, jenž v této příručce není vysvětlen, nepouštějte se do demontáže zařízení. Požádejte o pomoc některé z autorizovaných servisních středisek Makita, kde k opravám vždy používají náhradní díly Makita.

Problém	Pravděpodobná příčina (porucha)	Náprava
Motor neběží.	Není nasazen blok akumulátoru.	Nainstalujte blok akumulátoru.
	Problém s akumulátorem (nízké napětí)	Nabijte akumulátor. Jestliže nabít nepomůže, vyměňte akumulátor.
	Systém pohonu nepracuje správně.	Předějte zařízení k opravě v místním autorizovaném servisním středisku.
Motor se po krátké době provozu zastaví.	Akumulátor není dostatečně nabitý.	Nabijte akumulátor. Jestliže nabít nepomůže, vyměňte akumulátor.
	Došlo k přehřátí.	Přestaňte nářadí používat a nechte jej vychladnout.
Nářadí nedosahuje maximálních otáček.	Akumulátor je nesprávně nasazen.	Nainstalujte akumulátor podle popisu v této příručce.
	Poklesl výkon akumulátoru.	Nabijte akumulátor. Jestliže nabít nepomůže, vyměňte akumulátor.
	Systém pohonu nepracuje správně.	Předějte zařízení k opravě v místním autorizovaném servisním středisku.
Stříhací nože se nepohybují: ⇒ zařízení ihned vypněte!	Mezi stříhací nože se dostaly cizí předměty.	1. Použijte tlačítko zpětného chodu. 2. Vypněte nářadí a vyjměte akumulátor. Poté odstraňte cizí předměty pomocí nástrojů, jako jsou např. kleště.
	Systém pohonu nepracuje správně.	Předějte zařízení k opravě v místním autorizovaném servisním středisku.
Nenormální vibrace: ⇒ zařízení ihned vypněte!	Stříhací nože jsou zlomené, ohnuté či opotřebené.	Vyměňte stříhací nože.
	Systém pohonu nepracuje správně.	Předějte zařízení k opravě v místním autorizovaném servisním středisku.
Stříhací nože a motor nelze vypnout: ⇒ Okamžitě vyjměte akumulátor!	Elektrická porucha.	Vyjměte akumulátor a zařízení předejte k opravě v místním autorizovaném servisním středisku.

VOLITELNÉ PŘÍSLUŠENSTVÍ

⚠ UPOZORNĚNÍ: Pro nářadí Makita popsané v tomto návodu doporučujeme používat následující příslušenství a nástavce. Při použití jiného příslušenství či nástavců může hrozit nebezpečí zranění osob. Příslušenství lze používat pouze pro stanovené účely.

Potřebujete-li bližší informace ohledně tohoto příslušenství, obraťte se na místní servisní středisko společnosti Makita.

- Sestava stříhacích nožů
- Sběrač odřezků
- Nádoba s mazivem
- Originální akumulátor a nabíječka Makita

POZNÁMKA: Některé položky seznamu mohou být k nářadí přibaleny jako standardní příslušenství. Přibalené příslušenství se může v různých zemích lišit.

ТЕХНІЧНІ ХАРАКТЕРИСТИКИ

Модель:	UH013G	UH014G
Довжина полотна	600 мм	750 мм
Робоча частота	2 000 / 3 600 / 5 000 хв ⁻¹	
Загальна довжина	1 085 мм	1 225 мм
Номінальна напруга	36 В – 40 В пост. струму макс.	
Маса нетто	3,9 – 4,5 кг	4,0 – 4,7 кг
Ступінь захисту	IPX4	

- Оскільки наша програма наукових досліджень і розробок триває безперервно, наведені тут технічні характеристики можуть бути змінені без попередження.
- У різних країнах технічні характеристики можуть бути різними.
- Вага може відрізнятись залежно від допоміжного обладнання, наприклад касети з акумулятором. Найлегші та найважчі комплекти, відповідно до стандарту ЕРТА (Європейська асоціація виробників електроінструменту) від січня 01/2014 року, представлено в таблиці.

Застосовна касета з акумулятором і зарядний пристрій

Касета з акумулятором	BL4020* / BL4025* / BL4040* / BL4050F *: рекомендований акумулятор
Зарядний пристрій	DC40RA / DC40RB / DC40RC

- Деякі касети з акумулятором і зарядні пристрої, які вказано вище, можуть бути недоступними залежно від вашого регіону або місця перебування.

⚠ ПОПЕРЕДЖЕННЯ: Використовуйте лише касети з акумулятором і зарядні пристрої, зазначені вище. Використання будь-яких інших касет з акумулятором і зарядних пристроїв може призвести до травмування й/або пожежі.

Рекомендоване джерело енергопостачання з дротовим підключенням

Портативний блок живлення	PDC01 / PDC1200
---------------------------	-----------------

- У деяких регіонах певні моделі джерел енергопостачання з дротовим підключенням, які вказано вище, можуть бути недоступні.
- Перед використанням джерела енергопостачання з дротовим підключенням прочитайте інструкції та попереджувальні написи на них.

Символи

Далі наведено символи, які можуть застосовуватися для позначення обладнання. Перед користуванням переконайтеся, що ви розумієте їхнє значення.



Читайте посібник з експлуатації.



НЕБЕЗПЕЧНО! Тримайте руки на безпечній відстані від леза.



Вдягайте захисні окуляри.



Тільки для країн ЄС
Через наявність в обладнанні небезпечних компонентів відходи електричного та електронного обладнання, акумулятори та батареї можуть негативно впливати на навколишнє середовище та здоров'я людини. Не викидайте електричні та електронні прилади або батареї разом з побутовими відходами! Відповідно до директиви ЄС стосовно відходів електричного та електронного обладнання, акумуляторів, батарей та відходів акумуляторів і батарей, а також відповідно до її адаптації до національного законодавства, відходи електричного обладнання, батареї та акумулятори слід зберігати окремо й доставляти на пункт роздільного збору комунальних відходів, який працює з дотриманням правил охорони навколишнього середовища. Це позначено символом у вигляді перекресленого сміттьового контейнера з колесами, нанесеним на обладнання.

Призначення

Інструмент призначено для підрізання живоплоту.

Шум

Відповідний стандарт : EN62841-4-2

Модель	Рівень звукового тиску		Рівень акустичної потужності	
	L _{рA} (дБ (A))	Похибка К (дБ (A))	L _{WA} (дБ (A))	Похибка К (дБ (A))
УН013G	80	3	91	3
УН014G	81	3	92	3

ПРИМІТКА: Заявлене значення шуму було виміряно відповідно до стандартних методів тестування й може використовуватися для порівняння одного інструмента з іншим.

ПРИМІТКА: Заявлене значення шуму може також використовуватися для попереднього оцінювання впливу.

⚠ ПОПЕРЕДЖЕННЯ: Користуйтеся засобами захисту органів слуху.

⚠ ПОПЕРЕДЖЕННЯ: Залежно від умов використання рівень шуму під час фактичної роботи електроінструмента може відрізнятися від заявленого значення вібрації; особливо сильно на це впливає тип деталі, що оброблюється.

⚠ ПОПЕРЕДЖЕННЯ: Забезпечте належні запобіжні заходи для захисту оператора, що відповідають умовам використання інструмента (слід брати до уваги всі складові робочого циклу, як-от час, коли інструмент вимкнено та коли він починає працювати на холостому ході під час запуску).

Вібрація

Загальна величина вібрації (векторна сума трьох напрямків) визначена згідно з EN62841-4-2:

Модель	Передня ручка		Задня ручка	
	ah (м/с ²)	Похибка К (м/с ²)	ah (м/с ²)	Похибка К (м/с ²)
УН013G	2,5	1,5	2,5 м/с ² або менше	1,5
УН014G	3,2	1,5	2,5 м/с ² або менше	1,5

ПРИМІТКА: Заявлене загальне значення вібрації було виміряно відповідно до стандартних методів тестування й може використовуватися для порівняння одного інструмента з іншим.

ПРИМІТКА: Заявлене загальне значення вібрації може також використовуватися для попереднього оцінювання впливу.

⚠ ПОПЕРЕДЖЕННЯ: Залежно від умов використання вібрація під час фактичної роботи електроінструмента може відрізнятися від заявленого значення вібрації; особливо сильно на це впливає тип деталі, що оброблюється.

⚠ ПОПЕРЕДЖЕННЯ: Забезпечте належні запобіжні заходи для захисту оператора, що відповідають умовам використання інструмента (слід брати до уваги всі складові робочого циклу, як-от час, коли інструмент вимкнено та коли він починає працювати на холостому ході під час запуску).

Декларація про відповідність стандартам ЄС

Тільки для країн Європи

Декларацію про відповідність стандартам ЄС наведено в Додатку А до цієї інструкції з експлуатації.

ПОПЕРЕДЖЕННЯ ПРО ДОТРИМАННЯ ТЕХНІКИ БЕЗПЕКИ

Загальні застереження щодо техніки безпеки при роботі з електроінструментами

⚠ ПОПЕРЕДЖЕННЯ: Уважно ознайомтеся з усіма попередженнями про дотримання правил техніки безпеки, інструкціями, ілюстраціями та технічними характеристиками, що стосуються цього електроінструмента. Невиконання будь-яких інструкцій, перелічених нижче, може призвести до ураження електричним струмом, пожежі та/або тяжких травм.

Збережіть усі інструкції з техніки безпеки та експлуатації на майбутнє.

Термін «електроінструмент», зазначений у інструкції з техніки безпеки, стосується електроінструмента, який функціонує від електромережі (електроінструмент з кабелем живлення), або електроінструмента з живленням від батареї (безпроводний електроінструмент).

Попередження про необхідну обережність під час роботи з акумуляторною пилою для підрізання живоплоту

1. **Тримайтеся на безпечній відстані від леза. Не видаляйте зрізаний матеріал і не притримуйте матеріал, який ви хочете зрізати, під час руху лез.** Леза продовжують рухатися після вимкнення вимикача. Одна мить необережності під час роботи з пилою для підрізання живоплоту може призвести до тяжкої травми.
2. **Переносьте пилу для підрізання живоплоту за ручку після повного зупинення леза й будьте обережні, щоб не натиснути вимикач живлення.** Перенесення пили для підрізання живоплоту з дотриманням заходів безпеки знизить ризик ненавмисного пуску й отримання травм від лез.
3. **Під час транспортування або зберігання пили для підрізання живоплоту встановлюйте кришку леза.** Поводження з пилою для підрізання живоплоту з дотриманням заходів безпеки знизить ризик отримання травм від лез.
4. **Під час видалення застряглих обрізків або обслуговування інструмента переконайтеся в тому, що всі вимикачі живлення вимкнені, блок акумулятора вийнято або від'єднано.** Несподіване спрацювання пили для підрізання живоплоту під час видалення застряглих предметів або обслуговування може призвести до тяжких травм.
5. **Тримайте пилу для підрізання живоплоту тільки за спеціальні ізольовані поверхні, оскільки лезо може зачепити сховану електропроводку.** Торкання лезом дроту під напругою може призвести до передавання напруги до оголених металевих частин пили для підрізання живоплоту й до ураження оператора електричним струмом.
6. **Тримайте всі шнури живлення й кабелі подалі від місця зрізання.** Шнури живлення або кабелі можуть бути сховані в живоплотах або кущах і можуть бути випадково розрізані лезом.
7. **Не використовуйте пилу для підрізання живоплоту за поганих погодних умов, особливо коли є ризик виникнення грозового розряду.** Це знижує ризик ураження блискавкою.

Додаткові інструкції з техніки безпеки

Підготовка

1. **Перед початком робіт з інструментом перевіряйте живопліт і куші на наявність сторонніх предметів, як-от дротяні загорожі чи прохворана електропроводка.**
2. **Дітям і підліткам молодше 18 років забороняється користуватися інструментом.** Цю заборону може бути знято з молодих людей віком понад 16 років під час проходження практики під наглядом майстра.
3. **У разі використання інструмента користувачами-початківцями досвідчений користувач має показати, як правильно працювати з інструментом.**
4. **Використовуйте інструмент тільки тоді, коли перебуваєте в доброму фізичному стані.** Якщо ви стомлені, концентрація уваги знижується. Будьте особливо уважні наприкінці робочого дня. Виконуйте роботу спокійно й обережно. Користувач несе відповідальність за будь-яку шкоду, завдану іншим особам.
5. **Забороняється працювати з інструментом після вживання алкоголю, ліків або медичних препаратів.**
6. **Робочі рукавиці з міцної шкіри входять до набору обладнання інструмента; обов'язково вдягайте їх під час роботи з ним.** Взуття має бути міцним, з підошвами, що не ковзають.
7. **Перед початком роботи перевірте, чи справний інструмент і чи в належному він робочому стані.** Перевірте, чи правильно закріплені запобіжні деталі корпусу. Інструмент можна використовувати тільки в повністю зібраному стані.

Робота

1. **Під час роботи з інструментом міцно тримайте його обома руками.**
2. **Інструмент призначений для використання оператором на рівні землі. Не використовуйте інструмент на драбині або будь-який інший нестійкий опір.**
3. **НЕБЕЗПЕЧНО - Тримайте руки подалі від ножового полотна.** Контакт із полотном призведе до серйозної травми.
4. **Перед початком роботи переконайтеся, що ви стоїте на надійній поверхні.**
5. **Без потреби не допускайте, щоб інструмент працював без навантаження.**
6. **У разі контакту лез секатора з парканом або іншим твердим предметом негайно вимкніть інструмент і зніміть касету з акумулятором.** Переконайтеся у відсутності пошкоджень на лезах. Негайно замініть леза в разі наявності на них пошкоджень.
7. **Перед перевіркою лез секатора, усуненням поломок чи видаленням матеріалу, який застряг у лезах, завжди вимикайте інструмент і виймайте касету з акумулятором.**
8. **Ніколи не направляйте леза секатора на себе або інших людей.**

9. Якщо під час роботи ножі зупиняються внаслідок потрапляння між ними сторонніх предметів, вимкніть інструмент і витягніть касету з акумулятором, після чого видаліть сторонні предмети, наприклад, плоскогубцями. Видалення сторонніх предметів руками пов'язане з ризиком травмування, оскільки під час видалення сторонніх предметів ножі можуть зміститися.
10. У разі використання інструмента на вологих або слизьких ділянках, зокрема на сходах, будьте уважні, щоб не втратити рівновагу.
11. Заборонено занурювати інструмент у калюжі.
12. Заборонено залишати інструмент під дощем без нагляду.

Електробезпека й техніка безпеки під час роботи з акумулятором

1. Не працюйте з інструментом у небезпечних умовах. Не користуйтеся інструментом у вологих або мокрих місцях і не допускайте його перебування під дощем. У випадку потрапляння води в інструмент зростає ризик ураження електричним струмом.
2. Не спалюйте акумулятори. Акумулятор може вибухнути. Ознайомтеся з місцевими законами, які можуть містити спеціальні інструкції щодо утилізації відходів.
3. Не відкривайте й не деформуйте акумулятори. Електроліт є їдкою речовиною, тому в разі контакту зі шкірою або очима може завдати травму. У разі проковтування він може бути токсичним.
4. Не заряджайте акумулятор під дощем або в місцях із підвищеною вологістю.
5. Перезаряджайте акумулятор тільки в приміщенні.
6. Не торкайтеся зарядного пристрою, а також штекера й контактів зарядного пристрою вологими руками.
7. Заборонено замінювати акумулятор вологими руками.
8. Заборонено замінювати акумулятор під дощем.
9. Не допускайте потрапляння рідини на контакти акумулятора й не занурюйте акумулятор у рідину. Заборонено залишати акумулятор під дощем, а також заряджати, використовувати або зберігати його в місці з підвищеною вологістю. Якщо контакти намочуть або якщо всередину акумулятора потрапить рідина, може статися коротке замикання, що може призвести до перегрівання, займання або вибуху.
10. Після виймання акумулятора з інструмента або зарядного пристрою обов'язково встановіть кришку відсіку для акумулятора й зберігайте акумулятор у сухому місці.
11. У разі потрапляння води на касету з акумулятором злийте воду з касети й витріть її сухою ганчіркою. Перед використанням касети з акумулятором дайте їй повністю висохнути в сухому місці.

Технічне обслуговування й зберігання

1. Вимикайте інструмент і знімайте касету з акумулятором, перш ніж виконувати технічне обслуговування.
2. Під час переміщення інструмента в інше місце, зокрема під час роботи, завжди знімайте касету з акумулятором і встановлюйте кришку на лезо секатора. Заборонено переносити й перевозити інструмент для підрізання живоплуту з лезами, що рухаються. Заборонено торкатися леза руками.
3. Очищуйте інструмент і особливо леза секатора після використання, а також перед тривалим зберіганням. Нанесіть невелику кількість мастила на леза й надіньте кришку леза.
4. Зберігайте інструмент з установленою кришкою леза й у сухому приміщенні. Тримайте інструмент у недоступному для дітей місці. Інструмент забороняється зберігати на відкритому повітрі.
5. Не спалюйте акумулятор(и). Акумулятор може вибухнути. Ознайомтеся з місцевими законами на предмет можливих спеціальних інструкцій з утилізації відходів.
6. Не відкривайте та не деформуйте акумулятор(и). Пролитий електроліт є роз'їдаючою речовиною, тому може нанести травму при контакті зі шкірою або очима. При проковтуванні може бути токсичним.
7. Не заряджайте акумулятор під дощем або в місцях із підвищеною вологістю.
8. Зберігайте інструмент у місці, захищеному від прямих сонячних променів і дощу, де він не піддаватиметься впливу високої температури або вологості.

ЗБЕРІГАЙТЕ ЦІ ВКАЗІВКИ.

▲ПОПЕРЕДЖЕННЯ: НІКОЛИ НЕ втрачайте пильності та не розслабляйтеся під час користування виробом (що можливо при частому використанні); обов'язково строго дотримуйтеся відповідних правил безпеки. **НЕНАЛЕЖНЕ ВИКОРИСТАННЯ** або недотримання правил техніки безпеки, викладених у цій інструкції з експлуатації, може призвести до серйозних травм.

Важливі інструкції з безпеки для касети з акумулятором

1. Перед тим як користуватися касетою з акумулятором, слід прочитати всі інструкції та застережні знаки щодо (1) зарядного пристрою акумулятора, (2) акумулятора та (3) виробів, що працюють від акумулятора.
2. Не розбирайте касету з акумулятором і не змінюйте її конструкцію. Це може призвести до пожежі, перегріву або вибуху.
3. Якщо період роботи дуже покоротшав, слід негайно припинити користування. Це може призвести до виникнення ризику перегріву, опіку та навіть вибуху.

4. У разі потрапляння електроліту в очі слід промити їх чистою водою та негайно звернутися до лікаря. Це може призвести до втрати зору.
 5. Не закоротіть касету з акумулятором.
 - (1) Не слід торкатися клем будь-яким струмопровідним матеріалом.
 - (2) Не слід зберігати касету з акумулятором у ємності з іншими металевими предметами, такими як цвяхи, монети тощо.
 - (3) Не залишайте касету з акумулятором під дощем, запобігайте контакту з водою.
- Коротке замикання може призвести до появи значного струму, перегріву, можливих опіків та навіть виходу з ладу.
6. Не слід зберігати й використовувати інструмент і касету з акумулятором у місцях, де температура може сягнути чи перевищити 50 °C (122 °F).
 7. Не слід спалювати касету з акумулятором, навіть якщо вона була неодноразово пошкоджена або повністю спрацьована. Касета з акумулятором може вибухнути у вогні.
 8. Заборонено забивати цвяхи в касету з акумулятором, різати, ламати, кидати, впускати касету з акумулятором або вдаряти її твердим предметом. Це може призвести до пожежі, перегріву або вибуху.
 9. Не слід використовувати пошкоджений акумулятор.
 10. Літій-іонні акумулятори, що містяться в інструменті, мають відповідати вимогам законів про небезпечні товари.

Під час транспортування за допомогою комерційних перевезень, наприклад із залученням третьої сторони та експедиторів, необхідно дотримуватись особливих вимог, вказаних на пакуванні й у маркуванні.

Під час підготування позиції до відправлення необхідно проконсультуватись зі спеціалістом з небезпечних матеріалів. Крім того, слід виконувати більш докладні національні настанови, якщо такі є. Заклейте відкриті контакти стрічкою або заховайте їх і запакуйте акумулятор таким чином, щоб він не міг рухатися в пакуванні.

11. Для утилізації касети з акумулятором витягніть її з інструмента та утилізуйте безпечним способом. Дотримуйтеся норм місцевого законодавства щодо утилізації акумуляторів.
12. Використовуйте акумулятори лише з виробами, указаними компанією Makita. Установлення акумуляторів у невідповідні виробу може призвести до пожежі, надмірного нагрівання, вибуху чи витоку електроліту.
13. Якщо інструментом не користуватимуться протягом тривалого періоду часу, вийміть акумулятор з інструмента.
14. Під час і після використання касета з акумулятором може нагріватися, що може стати причиною опіків або низькотемпературних опіків. Будьте обережні під час поводження з гарячою касетою з акумулятором.

15. Не торкайтеся контактів інструмента відразу після використання, оскільки він може бути досить гарячим, щоб викликати опіки.
16. Не допускайте, щоб уламки, пил або земля прилипали до контактів, отворів і пазів на касеті з акумулятором. Це може призвести до перегріву, займання, вибуху та виходу з ладу інструмента або касети з акумулятором і спричинити опіки або травми.
17. Якщо інструмент не розраховано на використання поблизу високовольтних ліній електропередач, не використовуйте касету з акумулятором поблизу високовольтних ліній електропередач. Це може призвести до несправності, поломки інструмента або касети з акумулятором.
18. Тримайте акумулятор у недоступному для дітей місці.

ЗБЕРІГАЙТЕ ЦІ ВКАЗІВКИ.

⚠ОБЕРЕЖНО: Використовуйте тільки акумулятори Makita. Використання акумуляторів, інших ніж оригінальні акумулятори Makita, або акумуляторів, конструкцію яких було змінено, може призвести до вибуху акумулятора і спричинити пожежу, травму або пошкодження. У зв'язку з цим також буде анульовано гарантію Makita на інструмент Makita і на зарядний пристрій.

Поради з забезпечення максимального строку експлуатації акумулятора

1. Касету з акумулятором слід заряджати до того, як він розрядиться повністю. Завжди слід зупиняти роботу інструмента та зарядити акумулятор, якщо ви помітили зменшення потужності інструмента.
2. Ніколи не слід заряджати повторно повністю заряджену касету з акумулятором. Перезарядження скорочує строк експлуатації акумулятора.
3. Заряджайте касету з акумулятором при кімнатній температурі 10°C - 40°C (50°F - 104°F). Перед тим як заряджати касету з акумулятором, слід зачекати, доки вона охолоне.
4. Коли касета з акумулятором не використовується, виймайте її з інструмента або зарядного пристрою.
5. Якщо касета з акумулятором не використовувалася тривалий час (понад шість місяців), її слід зарядити.

ОПИС РОБОТИ

⚠ ОБЕРЕЖНО: Обов'язково переконайтеся, що прилад вимкнено, а касету з акумулятором знято, перед регулюванням або перевіркою функціонування інструмента.

Встановлення та зняття касети з акумулятором

⚠ ОБЕРЕЖНО: Завжди вимикайте інструмент перед встановленням або зняттям касети з акумулятором.

⚠ ОБЕРЕЖНО: Під час встановлення або зняття касети з акумулятором слід міцно тримати інструмент та касету з акумулятором. Якщо ви утримуватимете інструмент та касету з акумулятором недостатньо міцно, вони можуть вислизнути з рук, що може призвести до пошкодження інструмента та касети з акумулятором або може спричинити травми.

► **Рис.1:** 1. Червоний індикатор 2. Кнопка 3. Касета з акумулятором

Щоб зняти касету з акумулятором, слід витягнути її з інструмента, натиснувши на кнопку в передній частині касети.

Щоб установити касету з акумулятором, слід сумістити виступ на касеті з акумулятором із пазом у корпусі й вставити касету на місце. Вставляйте її до кінця, щоб вона зафіксувалася з легким клацанням. Якщо ви бачите червоний індикатор, як показано на рисунку, її не зафіксовано повністю.

⚠ ОБЕРЕЖНО: Завжди вставляйте касету з акумулятором повністю, щоб червоного індикатора не було видно. Якщо цього не зробити, касета може випадково випасти з інструмента та завдати травми вам або людям, що знаходяться поряд.

⚠ ОБЕРЕЖНО: Не встановлюйте касету з акумулятором із зусиллям. Якщо касета не вставляється легко, то це означає, що ви її неправильно вставляєте.

Відображення залишкового заряду акумулятора

Натисніть кнопку перевірки на касеті з акумулятором для відображення залишкового ресурсу акумулятора. Індикаторні лампи загоряться на кілька секунд.

► **Рис.2:** 1. Індикаторні лампи 2. Кнопка перевірки

Індикаторні лампи			Залишковий ресурс
Горить	Вимк.	Блимає	
■ ■ ■ ■	□ □ □ □	□ □ □ □	від 75 до 100%
■ ■ ■ □	□ □ □ □	□ □ □ □	від 50 до 75%
■ ■ □ □	□ □ □ □	□ □ □ □	від 25 до 50%
■ □ □ □	□ □ □ □	□ □ □ □	від 0 до 25%
▬ □ □ □	□ □ □ □	□ □ □ □	Зарядіть акумулятор.
■ ■ □ □	□ □ □ □	□ □ □ □	Можливо, акумулятор вийшов з ладу.
□ □ □ ■	□ □ □ □	□ □ □ □	

ПРИМІТКА: Залежно від умов використання та температури оточуючого середовища показання можуть незначним чином відрізнятися від дійсного ресурсу.

ПРИМІТКА: Перша (дальня ліва) індикаторна лампа блимає під час роботи захисної системи акумулятора.

Система захисту інструмента/акумулятора

Інструмент оснащено системою захисту інструмента/акумулятора. Ця система автоматично вимикає живлення двигуна з метою збільшення терміну служби інструмента й акумулятора. Інструмент автоматично зупиняється під час роботи за будь-якої з умов, зазначених нижче:

► **Рис.3:** 1. Попереджувальна лампа

Попереджувальна лампа		Стан
Колір	● Горить / ● Блимає	
Зелений	●	Перевантаження
Червоний	● (інструмент) / ● (батарея)	Перегрів
Червоний	●	Надмірна розрядка

УВАГА: Залежно від умов експлуатації інструмент може автоматично вимикатися без увімкнення будь-яких індикаторів накопичення в ньому гілок або сміття. У цьому випадку слід вимкнути живлення інструмента й витягти касету з акумулятором, після чого видалити накопичені гілки або сміття, наприклад, плоскогубцями. Після видалення гілок або сміття встановіть касету з акумулятором на місце й увімкніть інструмент.

Захист від перевантаження

У разі перевантаження інструмента або акумулятора через застрягли ілки або інше сміття, інструмент автоматично зупиняється й попереджувальна лампа починає блимати зеленим.

У такому разі вимкніть інструмент і припиніть роботу, під час виконання якої інструмент зазнав перевантаження. Щоб перезапустити інструмент, увімкніть його знову.

Захист від перегрівання інструмента або акумулятора

Коли інструмент або касета з акумулятором перегріваться, інструмент зупиняється автоматично.

У разі перегріву інструмента попереджувальна лампа починає світитися червоним. У разі перегріву касети з акумулятором попереджувальна лампа починає блимати червоним. Дайте інструменту й/або акумулятору охолонути, перш ніж знову вмикати інструмент.

Захист від надмірного розрядження

Якщо заряду акумулятора недостатньо, інструмент автоматично зупиняється, а попереджувальна лампа починає блимати червоним.

Якщо інструмент не працює навіть після натискання вимикачів, витягніть з інструмента касету з акумулятором і зарядіть її.

Захист від інших неполадок

Система захисту також забезпечує захист від інших неполадок, які можуть призвести до пошкодження інструмента, і забезпечує автоматичне зупинення інструмента. У разі тимчасової зупинки або припинення роботи інструмента виконайте всі зазначені нижче дії для усунення причини зупинки.

1. Вимкніть і знову увімкніть інструмент, щоб перезапустити його.
2. Зарядіть акумулятор(и) або замініть його(їх) зарядженням(и).
3. Дайте інструменту й акумулятор(ам) охолонути.

Якщо після відновлення вихідного стану системи захисту ситуація не зміниться, зверніться до місцевого сервісного центру Makita.

Умикання живлення

▲ ПОПЕРЕДЖЕННЯ: З міркувань безпеки цей інструмент обладнано важелем, що запобігає ненавмисному запуску інструмента. **ЗАБОРОНЕНО** використовувати інструмент, якщо він запускається простим натисканням курків вмикача без натискання важеля. **ПРИПИНІТЬ** використання інструмента й передайте його до нашого авторизованого сервісного центру для ремонту.

▲ ПОПЕРЕДЖЕННЯ: **ЗАБОРОНЕНО** фіксувати клейкою стрічкою або іншим чином вимикати функцію важеля.

▲ ПОПЕРЕДЖЕННЯ: Перед установленням касети з акумулятором на інструмент слід перевірити, чи справно працюють курки вмикача й важіль і чи повертаються в положення «ВИМК.» після відпускання. Робота з інструментом, вмикач якого не спрацьовує належним чином, може призвести до втрати контролю над інструментом і до отримання тяжких травм.

▲ ОБЕРЕЖНО: Не кладіть пальці на курки вмикача під час перенесення. Інструмент може випадково запуститися й спричинити травму.

УВАГА: Заборонено натискати із силою на курок вмикача, якщо важіль не натиснуто. Це може призвести до поломки вмикача.

Для ввімкнення інструмента натисніть головну кнопку живлення. Щоб вимкнути інструмент, натисніть і утримуйте головну кнопку живлення, доки не згаснуть індикатори частоти обертання.

► **Рис.4:** 1. Головна кнопка живлення

ПРИМІТКА: Попереджувальна лампа блиматиме, якщо натиснути курок вмикача за недопустимих для роботи умов. Попереджувальна лампа блиматиме, якщо ввімкнути вимикач живлення, утримуючи натиснутими важіль і курок вмикача.

ПРИМІТКА: Цей пристрій має функцію автоматичного вимкнення. Щоб запобігти ненавмисному запуску, вимикач живлення буде автоматично вимикатися, якщо не натискати на курок вмикача протягом певного часу після ввімкнення вимикача живлення.

Для запобігання випадковому натисненню курка вмикача передбачено важіль. Для запуску інструмента натисніть передній курок вмикача, а потім потягніть задній курок вмикача, одночасно натискаючи важіль. У разі відпускання будь-якого з курків вмикача інструмент зупиняється.

► **Рис.5:** 1. Важіль 2. Задній курок вмикача
3. Передній курок вмикача

Налаштування швидкості

Налаштувати швидкість інструмента можна, коротко натискаючи головну кнопку живлення. За кожного натискання головної кнопки живлення рівень частоти обертання змінюється.

► **Рис.6:** 1. Індикатор частоти обертання 2. Головна кнопка живлення

Індикатор частоти обертання	Режим	Швидкість ходу
	Висока	5 000 хв ⁻¹
	Середня	3 600 хв ⁻¹
	Низька	2 000 хв ⁻¹

Кнопка зворотного ходу для видалення сміття

▲ ПОПЕРЕДЖЕННЯ: Якщо накопичені гілки або сміття не можна видалити за допомогою функції реверсу, вимкніть інструмент і вийміть касету з акумулятором, після чого видаліть накопичені гілки або сміття, наприклад, за допомогою плоскогубців. Якщо інструмент не вимкнути та не зняти касету з акумулятором, це може призвести до серйозних травм внаслідок випадкового запуску інструмента. Видалення накопичених гілок або сміття руками може привести до травми, оскільки леза секатора можуть зміститися під час видалення гілок.

Цей інструмент оснащено кнопкою реверсу для зміни напрямку руху лез секатора. Ця функція призначена лише для видалення гілок і сміття, що застрягли в інструменті. Щоб змінити напрямок руху лез секатора, натисніть кнопку реверсу після зупинення лез секатора, натисніть передній курок вмикача, а потім натисніть задній курок вмикача, водночас натискаючи важіль. Індикатори частоти обертання почнуть блимати, а леза почнуть рухатися у зворотному напрямку. Після видалення накопичених гілок і сміття напрямком обертання лез інструмента знову змінюється на звичайний, а індикатори частоти обертання перестають блимати й постійно світяться.

► **Рис.7:** 1. Індикатор частоти обертання 2. Кнопка зворотного ходу

ПРИМІТКА: Якщо гілки або сміття, що застрягло, не вдається видалити, відпустіть курки вмикача, натисніть кнопку реверса і потягніть курки вмикача до їхнього повного видалення.

ПРИМІТКА: Якщо натиснути кнопку реверсу коли леза рухаються, інструмент зупиняється для зміни напрямку руху лез.

Функції електронного обладнання

Для полегшення роботи інструмент має електронні функції.

- Контроль постійної швидкості
Функція контролю швидкості забезпечує постійну швидкість обертання, незалежно від умов навантаження.
- Електричне гальмо
Цей інструмент обладнано електричним гальмом. Якщо після відпускання курка вмикача не відбувається швидкої зупинки лез інструмента, зверніться до сервісного центру Makita для обслуговування інструмента.
- Функція запобігання раптовому перезапуску
Інструмент не запускається після зупинки лез інструмента з акумулятором за натиснутого курка вмикача. Щоб запустити інструмент, спочатку відпустіть і знову натисніть курок вмикача.

ЗБОРКА

▲ ОБЕРЕЖНО: Обов'язково переконайтеся, що прилад вимкнено, а касету з акумулятором знято, перш ніж проводити будь-які роботи з інструментом.

▲ ОБЕРЕЖНО: Для заміни лез секатора завжди надягайте рукавиці, щоб уникнути прямого контакту рук із лезами.

УВАГА: Не витирайте мастило з зубчатої передачі та кривошипного механізму, коли замінюєте ножове полотно.

Встановлення та зняття лез секатора

▲ ОБЕРЕЖНО: Установіть кришку перед зняттям чи встановленням ножового полотна.

На інструмент можна встановити леза секатора довжиною 600 мм або 750 мм.

ПРИМІТКА: У разі заміни лез секатора лезами іншої довжини замініть уловлювач скалок, підібравши його відповідно до лез.

1. Видаліть чотири гвинти (для УН013G) або п'ять гвинтів (для УН014G) і зніміть уловлювач скалок з інструмента.

Для УН013G

► **Рис.8:** 1. Уловлювач скалок 2. Гвинт

Для УН014G

► **Рис.9:** 1. Уловлювач скалок 2. Гвинт

2. Покладіть інструмент у перевернутому положенні й відкрутіть шість болтів.

► **Рис.10:** 1. Болт

3. Зніміть кришку та пластину.
► **Рис.11:** 1. Кришка 2. Пластина

ПРИМІТКА: Пластина може залишатися на кришці.

4. Видаліть стрижень і підшипник.
► **Рис.12:** 1. Стрижень 2. Підшипник

ПРИМІТКА: Стрижень або підшипник можуть залишитися на кришці.

5. Викрутіть три гвинти, три муфти й повстяну підкладку та зніміть леза секатора.
► **Рис.13:** 1. Гвинт 2. Муфта 3. Повстяна підкладка 4. Леза секатора

УВАГА: Будьте уважні, щоб не загубити гвинти.

6. Зніміть кришку леза й прикріпіть її до нових лез секатора.

► **Рис.14**

7. Відрегулюйте кривошипний механізм таким чином, щоб два отвори були розташовані на лінії вирівнювання.

► **Рис.15:** 1. Отвір 2. Лінія вирівнювання

8. Зіставте виступи на лезах секатора так, щоб вони були на одному рівні за вертикаллю.

► **Рис.16:** 1. Виступ

9. Вставте гвинт, видалений на кроці 5, в отвори на лезах секатора й чохлах лез, щоб тимчасово закріпити леза секатора, і прикріпіть повстяну підкладку до лез секатора.

► **Рис.17:** 1. Гвинт 2. Повстяна підкладка 3. Отвір

10. Вставте виступ на лезах секатора в отвір на стрижні й вирівняйте положення повстяної підкладки відносно отворів на інструменті. Прикріпіть дві нові муфти.

► **Рис.18:** 1. Повстяна підкладка 2. Виступ 3. Отвір 4. Муфта

УВАГА: Нанесіть невелику кількість мастила на внутрішню поверхню отвору стрижня.

УВАГА: Будьте уважні, щоб не загубити муфти.

11. Сумістіть отвори на муфтах і лезах секатора з отворами на інструменті та затягніть два гвинти для тимчасової фіксації лез секатора.

► **Рис.19:** 1. Гвинт

12. Вийміть гвинт з отвору на лезах секатора (вставлений під час кроку 9) і посуňte чохол леза вбік.

► **Рис.20:** 1. Гвинт

13. Прикріпіть нову муфту.

► **Рис.21:** 1. Муфта

14. Затягніть гвинт разом із муфтою, щоб зафіксувати леза секатора.

► **Рис.22:** 1. Гвинт

15. Щільно затягніть гвинти, тимчасово зафіксовані на кроці 11.

16. Прикріпіть підшипник і стрижень.

► **Рис.23:** 1. Стрижень 2. Малий отвір 3. Підшипник

УВАГА: Нанесіть невелику кількість мастила на внутрішню поверхню малого отвору стрижня.

УВАГА: Переконайтеся в тому, що виступ на лезах секатора входить у малий отвір на стрижні.

17. Прикріпіть пластину.

► **Рис.24:** 1. Виступ 2. Пластина

УВАГА: Переконайтеся в тому, що виступ на лезах секатора входить в отвір на стрижні.

18. Прикріпіть кришку й затягніть шість болтів.

► **Рис.25:** 1. Болт 2. Кришка

19. Прикріпіть до інструмента уловлювач скалок, затягнувши чотири гвинти (для УН013G) або п'ять гвинтів (для УН014G).

Для УН013G

► **Рис.26:** 1. Уловлювач скалок 2. Гвинт

Для УН014G

► **Рис.27:** 1. Уловлювач скалок 2. Гвинт

УВАГА: Якщо леза секатора не рухаються належним чином, це означає, що їх не з'єднано зі стрижнями як слід. Установіть леза секатора заново.

УВАГА: У разі зношення частин інструмента (крім лез секатора), наприклад стрижнів, зверніться до авторизованого сервісного центру Makita, щоб їх замінити або відремонтувати.

Установлення або видалення уловлювача скалок

⚠ОБЕРЕЖНО: Під час установки або зняття уловлювача скалок завжди надягайте рукавиці, щоб не торкатися лез руками.

Уловлювач скалок збирає відкинуте листя разом, що значно полегшує подальше прибирання.

Щоб видалити уловлювач скалок, видаліть чотири гвинти (для УН013G) або п'ять гвинтів (для УН014G) і потім видаліть уловлювач скалок з інструмента. Щоб установити уловлювач скалок, виконайте процедуру зняття у зворотному порядку.

Для УН013G

► **Рис.28:** 1. Уловлювач скалок 2. Гвинт

Для УН014G

► **Рис.29:** 1. Уловлювач скалок 2. Гвинт

РОБОТА

▲ ПОПЕРЕДЖЕННЯ: Тримайте руки на відстані від лез секатора.

▲ ОБЕРЕЖНО: Якнайменше використовуйте інструмент у спекотну погоду. Під час використання інструмента стежте за своїм фізичним станом.

▲ ОБЕРЕЖНО: Будьте обережні: не допускайте випадкового контакту з металом або іншими твердими предметами під час підрізання. Леза секатора можуть зламатися та спричинити травму.

▲ ОБЕРЕЖНО: Уникайте контакту ножового полотна із землею. Інструмент може відскочити та спричинити травму.

▲ ОБЕРЕЖНО: Не дотягуйтесь до віддалених зон, коли працюєте з пилом, особливо стоячи на драбині: це надзвичайно небезпечно. Під час роботи не стійте на нестійкій або неміцній поверхні.

УВАГА: Не намагайтеся зрізати пилом гілки, товстіші за 10 мм у діаметрі. Перш ніж скористатися цим інструментом, підріжте такі гілки на 10 см нижче висоти різання за допомогою садових ножиць.

► **Рис.30:** (1) Висота різання (2) 10 см

УВАГА: Не зрізуйте засохлі дерева чи інші подібні тверді предмети. Це може призвести до виходу інструмента з ладу.

УВАГА: Не підрізайте траву чи бур'ян цими лезами секатора. Леза секатора можуть заплутатися в траві чи бур'яні.

Правою рукою утримуйте передню ручку, а лівою – задню ручку. Натисніть передній курок вмикача, потім задній курок вмикача, одночасно натискаючи важіль, і перемістіть інструмент уперед.

► **Рис.31**

Для роботи у звичайному режимі нахиліть леза секатора в напрямку різання, плавно й повільно рухайте інструмент в напрямку різання зі швидкістю один метр за 3 – 4 секунди.

► **Рис.32**

Щоб рівно обрізати верхню частину живоплоту, простягніть мотузку на потрібній висоті та виконуйте обрізку по мотузці.

► **Рис.33**

Уловлювач скалок збирає відкинуте листя разом, що значно полегшує подальше прибирання.

► **Рис.34**

Щоб рівномірно підрізати бокову частину живоплоту, підрізуйте в напрямку знизу вгору.

► **Рис.35**

Щоб досягти гарного результату у створенні круглої форми (наприклад, у роботі з самшитом чи рододендромом), підрізуйте в напрямку від коріння до вершини.

► **Рис.36**

ТЕХНІЧНЕ ОБСЛУГОВУВАННЯ

▲ ОБЕРЕЖНО: Перед здійсненням перевірки або обслуговування завжди перевіряйте, щоб інструмент був вимкнений, а касета з акумулятором була знята.

Для забезпечення БЕЗПЕКИ та НАДІЙНОСТІ продукції, її ремонт, а також роботи з обслуговування або регулювання повинні виконуватись уповноваженими або заводськими сервісними центрами Makita із використанням запчастин виробництва компанії Makita.

Очищення інструмента

Щоб очистити інструмент, протріть на ньому пил сухою тканиною або занурте його в мильну воду та вийміть звідти.

УВАГА: Ніколи не використовуйте газолін, бензин, розріджувач, спирт та подібні речовини. Їх використання може призвести до зміни кольору, деформації або появи тріщин.

Технічне обслуговування леза секатора

Перед роботою чи щогодини під час роботи змащуйте леза секатора мастилом із низькою в'язкістю (наприклад, машинне мастило чи змащувальний матеріал, що розпиляється).

► **Рис.37**

Після роботи слід видалити пил із лез секатора дротяною щіткою, протерти їх тканиною, після чого нанести мастило з низькою в'язкістю (наприклад, машинне мастило чи змащувальний матеріал у формі аерозолі).

► **Рис.38**

УВАГА: Не мийте леза секатора водою. Це може призвести до утворення іржі та пошкодження інструмента.

УВАГА: Бруд і корозія спричиняють надмірне тертя ножового полотна та скорочують час роботи після кожного циклу заряджання акумулятора.

Зберігання

Отвір для кріплення в нижній частині інструмента зручний для того, щоб повісити інструмент на цвях або шуруп на стіні.

Зніміть касету з акумулятором з інструмента й установіть кожух леза на леза секатора, щоб захистити їх від зовнішніх впливів. Зберігайте інструмент у недоступному для дітей місці. Зберігайте інструмент у місці, де він не зазнаватиме впливу вологи й дощу.

► **Рис.39:** 1. Отвір

Заточування лез секатора

УВАГА: Якщо леза секатора було сильно деформовано під час заточування, замініть їх новими.

1. Установіть касету з акумулятором в інструмент.
2. Увімкніть і запустіть інструмент, щоб верхнє та нижнє леза розташувалися у розбіг.

► **Рис.40**

3. Вимкніть інструмент і витягніть з нього касету з акумулятором.
4. Тримаючи напилек під кутом 45° і рухаючи ним у трьох напрямках, заточіть верхнє лезо.

► **Рис.41:** (1) Напилек (2) 45°

⚠ ОБЕРЕЖНО: Перед заточуванням лез переконайтеся в тому, що інструмент вимкнено й касету з акумулятором витягнуто з інструмента.

5. Переверніть інструмент і видаліть задирки з лез секатора точильним каменем.

► **Рис.42:** 1. Точильний камінь

6. Тримаючи напилек під кутом 45° і рухаючи ним у трьох напрямках, заточіть нижнє лезо.

7. Поверніть інструмент у нормальне положення й видаліть задирки з лез секатора точильним каменем.

Змащування консистентним мастилом

Інтервал змащування: кожні 50 години роботи

1. Вийміть болт з отвору для змащення.

► **Рис.43:** 1. Болт

2. Зніміть ковпачок із резервуара для мастила. Сумістіть вихідний отвір резервуара для мастила з отвором на кришці, і вставте випускний отвір резервуара для мастила в отвір.

► **Рис.44:** 1. Резервуар для мастила 2. Отвір

3. Нанесіть мастило на інструмент (приблизно 5 г).
4. Затягніть болт.

УСУНЕННЯ НЕСПРАВНОСТЕЙ

Перш ніж звертатися з приводу ремонту інструмента, проведіть його перевірку самостійно. У разі виявлення несправності, яку не описано в цьому посібнику, не намагайтеся розібрати інструмент. Натомість зверніться до авторизованих сервісних центрів Makita та використовуйте для ремонту тільки запасні частини виробництва компанії Makita.

Стан відхилення від норми	Можлива причина (несправність)	Спосіб виправлення
Двигун не працює.	Касета з акумулятором не встановлена.	Установіть касету з акумулятором.
	Проблема з акумулятором (знижена напруга)	Зарядіть акумулятор. Якщо заряджання не призвело до бажаного результату, замініть акумулятор.
	Система приводу працює неправильно.	Зверніться до місцевого авторизованого сервісного центру з приводу ремонту.
Двигун перестає працювати після короткочасного використання.	Низький рівень заряду акумулятора.	Зарядіть акумулятор. Якщо заряджання не призвело до бажаного результату, замініть акумулятор.
	Перегрів.	Припиніть використовувати інструмент та дозвольте йому охолонути.
Інструмент не досягає максимальної частоти обертання.	Акумулятор встановлений невірно.	Встановіть касету з акумулятором, як описано в цьому посібнику.
	Заряд акумулятора зменшується.	Зарядіть акумулятор. Якщо заряджання не призвело до бажаного результату, замініть акумулятор.
	Система приводу працює неправильно.	Зверніться до місцевого авторизованого сервісного центру з приводу ремонту.
Леза секатора не рухаються: ⇒ негайно зупиніть інструмент!	Сторонні предмети застрягли між лезами секатора.	1. Натисніть кнопку реверса. 2. Вимкніть живлення інструмента й витягніть касету з акумулятором, після чого видаліть гілки або сміття, наприклад, плоскогубцями.
	Система приводу працює неправильно.	Зверніться до місцевого авторизованого сервісного центру з приводу ремонту.
Аномальна вібрація: ⇒ негайно зупиніть інструмент!	Леза секатора зламані, зігнуті або зношені.	Замініть леза секатора.
	Система приводу працює неправильно.	Зверніться до місцевого авторизованого сервісного центру з приводу ремонту.
Леза секатора й мотор не можуть зупинитися. ⇒ Негайно зніміть акумулятор!	Несправність електричної частини.	Зніміть акумулятор та зверніться до місцевого авторизованого сервісного центру з приводу ремонту.

ДОДАТКОВЕ ПРИЛАДДЯ

⚠ ОБЕРЕЖНО: Це додаткове та допоміжне обладнання рекомендовано використовувати з інструментом Makita, зазначеним у цій інструкції з експлуатації. Використання будь-якого іншого додаткового та допоміжного обладнання може становити небезпеку травмування. Використовуйте додаткове та допоміжне обладнання лише за призначенням.

У разі необхідності отримати допомогу в більш детальному ознайомленні з оснащенням звертайтеся до місцевого сервісного центру Makita.

- Комплект ножового полотна
- Уловлювач скалок
- Резервуар для мастила
- Оригінальний акумулятор та зарядний пристрій Makita

ПРИМІТКА: Деякі елементи списку можуть входити до комплекту інструмента як стандартне приладдя. Вони можуть відрізнятися залежно від країни.

SPECIFICAȚII

Model:	UH013G	UH014G
Lungime lamă	600 mm	750 mm
Curse pe minut	2.000/3.600/5.000 min ⁻¹	
Lungime totală	1.085 mm	1.225 mm
Tensiune nominală	36 V - 40 V cc. max	
Greutate netă	3,9 - 4,5 kg	4,0 - 4,7 kg
Grad de protecție	IPX4	

- Datorită programului nostru continuu de cercetare și dezvoltare, specificațiile pot fi modificate fără o notificare prealabilă.
- Specificațiile pot varia în funcție de țară.
- Greutatea poate diferi în funcție de accesoriu(ii), inclusiv cartușul acumulatorului. În tabel se prezintă combinația cea mai ușoară și cea mai grea, conform Procedurii EPTA 01/2014.

Cartușul acumulatorului și încărcătorul aplicabile

Cartușul acumulatorului	BL4020* / BL4025* / BL4040* / BL4050F * : Acumulator recomandat
Încărcător	DC40RA / DC40RB / DC40RC

- Este posibil ca unele cartușe ale acumulatorilor și încărcătoare menționate mai sus să nu fie disponibile în funcție de regiunea dvs. de reședință.

⚠️ AVERTIZARE: Utilizați numai cartușele de acumulator și încărcătoarele enumerate mai sus. Utilizarea oricăror altor cartușe de acumulator și încărcătoare poate duce la rănire și/sau incendiu.




Sursă de alimentare cu conectare prin cablu recomandată

Bloc de alimentare portabil	PDC01 / PDC1200
-----------------------------	-----------------

- Este posibil ca sursa/sursele de alimentare cu conectare prin cablu menționată(e) mai sus să nu fie disponibilă(e) în funcție de regiunea dumneavoastră de reședință.
- Înainte de a utiliza sursa de alimentare cu conectare prin cablu, citiți instrucțiunile și atenționările de pe aceasta.

Simboluri

Mai jos sunt prezentate simbolurile care pot fi utilizate pentru echipament. Asigurați-vă că înțelegeți sensul acestora înainte de utilizare.

	Citiți manualul de utilizare.
	PERICOL - Țineți mâinile la distanță de lamă.
	Purtați ochelari de protecție.



Doar pentru țările din cadrul UE
Din cauza prezenței componentelor periculoase în echipament, deșeurile de echipamente electrice și electronice, acumulatorii și bateriile pot avea un efect negativ asupra mediului și sănătății umane.

Nu eliminați aparatele electrice și electronice sau bateriile împreună cu gunoii menajeri!

În conformitate cu Directiva europeană privind deșeurile de echipamente electrice și electronice, acumulatorii, bateriile și deșeurile de acumulatori și baterii, precum și cu adaptarea sa în legislația națională, deșeurile de echipamente electrice, de baterii și de acumulatori trebuie depozitate separat și eliminate la un centru de colectare separat pentru deșeurile municipale, care respectă reglementările privind protecția mediului.
Acest lucru este indicat prin simbolul care reprezintă o pubeză cu roți barată cu o cruce, aplicat pe echipament.

Destinația de utilizare

Unealta este destinată tunderii gazonului.

Zgomot

Standard aplicabil : EN62841-4-2

Model	Nivel de presiune acustică		Nivel de putere acustică	
	L _{pA} (dB (A))	Marjă de eroare K (dB (A))	L _{WA} (dB (A))	Marjă de eroare K (dB (A))
UH013G	80	3	91	3
UH014G	81	3	92	3

NOTĂ: Valoarea (valorile) totală(e) a (ale) emisiilor de zgomot declarate a(u) fost măsurată(e) în conformitate cu o metodă de test standard și poate (pot) fi utilizată(e) pentru compararea unei unelte cu alta.

NOTĂ: Valoarea (valorile) totală(e) a (ale) emisiilor de zgomot declarate poate (pot) fi, de asemenea, utilizată(e) într-o evaluare preliminară a expunerii.

⚠️ AVERTIZARE: Purtați echipament de protecție pentru urechi.

⚠️ AVERTIZARE: Emisiile de zgomot în timpul utilizării efective a unelei electrice poate diferi de valoarea (valorile) nivelului declarat, în funcție de modul în care unealta este utilizată, în special ce fel de piesă este prelucrată.

⚠️ AVERTIZARE: Asigurați-vă că identificați măsurile de siguranță pentru a proteja operatorul, acestea fiind bazate pe o estimare a expunerii în condiții reale de utilizare (luând în considerare toate părțile ciclului de operare, precum timpii în care unealta a fost oprită, sau a funcționat în gol, pe lângă timpul de declanșare).

Vibrații

Valoarea totală a vibrațiilor (suma vectorilor tri-axiali) determinată conform EN62841-4-2:

Model	Mâner frontal		Mâner spate	
	ah (m/s ²)	Marjă de eroare K (m/s ²)	ah (m/s ²)	Marjă de eroare K (m/s ²)
UH013G	2,5	1,5	2,5 m/s ² sau mai puțin	1,5
UH014G	3,2	1,5	2,5 m/s ² sau mai puțin	1,5

NOTĂ: Valoarea (valorile) totală(e) a (ale) nivelului de vibrații declarat a (au) fost măsurată(e) în conformitate cu o metodă de test standard și poate (pot) fi utilizată(e) pentru compararea unei unelte cu alta.

NOTĂ: Valoarea (valorile) totală(e) a (ale) nivelului de vibrații declarat poate (pot) fi, de asemenea, utilizată(e) într-o evaluare preliminară a expunerii.

⚠️ AVERTIZARE: Nivelul de vibrații în timpul utilizării efective a unelei electrice poate diferi de valoarea (valorile) nivelului declarat, în funcție de modul în care unealta este utilizată, în special ce fel de piesă este prelucrată.

⚠️ AVERTIZARE: Asigurați-vă că identificați măsurile de siguranță pentru a proteja operatorul, acestea fiind bazate pe o estimare a expunerii în condiții reale de utilizare (luând în considerare toate părțile ciclului de operare, precum timpii în care unealta a fost oprită, sau a funcționat în gol, pe lângă timpul de declanșare).

Declarație de conformitate CE

Numai pentru țările europene

Declarația de conformitate CE este inclusă ca Anexa A în acest manual de instrucțiuni.

AVERTIZĂRI DE SIGURANȚĂ

Avertismente generale de siguranță pentru mașinile electrice

⚠️ AVERTIZARE: Citiți toate avertismentele privind siguranța, instrucțiunile, ilustrațiile și specificațiile furnizate cu această sculă electrică. Nerespectarea integrală a instrucțiunilor de mai jos poate cauza electrocutări, incendii și/sau vătămări corporale grave.

Păstrați toate avertismentele și instrucțiunile pentru consultări ulterioare.

Termenul „mașină electrică” din avertizări se referă la mașinile dumneavoastră electrice acționate de la rețea (prin cablu) sau cu acumulator (fără cablu).

Avertizări de siguranță pentru mașina de tuns gardul viu fără cablu

- Țineți-vă toate părțile corpului departe de lamă. Când lamele sunt în mișcare, nu îndepărtați materialul tăiat sau nu țineți materialul care va fi tăiat.** Lamele continuă să se miște după ce opriți întrerupătorul. Un moment de neatenție în timpul utilizării mașinii de tuns gardul viu poate cauza răni grave.
- Transportați mașina de tuns gardul viu ținând de mâner, cu lama oprită și având grijă să nu acționați comutatorul de alimentare.** Transportarea corespunzătoare a mașinii de tuns gardul viu va reduce riscul de pornire accidentală și accidentările ulterioare cauzate de lame.
- Când transportați sau depozitați mașina de tuns gardul viu, montați întotdeauna capacul lamelor.** Manipularea corectă a mașinii de tuns gardul viu va reduce riscul de accidentări din cauza lamelor.
- Atunci când curățați materialul blocat sau efectuați lucrări de service pe mașină, nu uitați să opriți toate comutatoarele de alimentare și să scoateți sau să deconectați acumulatorul.** Acționarea accidentală a mașinii de tuns gardul viu în timp ce curățați materialul blocat sau efectuați lucrări de service poate provoca accidentări grave.
- Țineți mașina de tuns gardul viu doar de suprafețele de prindere izolate, deoarece lama poate intra în contact cu fire ascuse.** Contactul lamei cu un cablu aflat sub tensiune poate pune sub tensiune piesele metalice expuse ale mașinii de tuns gardul viu și poate provoca electrocutarea operatorului.
- Țineți toate cablurile de alimentare și alte cabluri departe de zona de tăiere.** Cablurile de alimentare și celelalte cabluri pot fi ascuse în gardurile vii sau în tufișuri, iar lama le poate tăia accidental.
- Nu utilizați mașina de tuns gardul viu în condiții de vreme nefavorabilă, în special când există riscul de descărcări electrice.** Astfel se reduce riscul de expunere la descărcări electrice.

Instrucțiuni de siguranță suplimentare

Pregătire

- Verificați dacă există obiecte străine în gardurile vii și în tufișuri, cum ar fi garduri de sârmă sau fire ascuse, înainte de a utiliza mașina.**
- Mașina nu trebuie folosită de copii sau adolescenți cu vârstă mai mică de 18 ani.** Adolescenții cu vârstă mai mare de 16 ani pot fi excepții de la această restricție în cazul în care beneficiază de instrucții sub supravegherea unui expert.
- Cei care utilizează pentru prima dată mașina ar trebui să lucreze împreună cu un utilizator cu experiență care să le arate cum să o folosească.**

- Utilizați mașina numai dacă vă aflați într-o stare fizică bună.** Dacă sunteți oboseți(ă), atenția vă va fi redusă. Fiți atent(ă), în special, la finalul zilei de muncă. Executați fiecare lucrare cu calm și cu atenție. Utilizatorul este responsabil pentru toate distrugerile provocate unor terțe părți.
- Nu utilizați niciodată mașina sub influența alcoolului, drogurilor sau medicamentelor.**
- Mănușile de lucru din piele rezistentă sunt componente ale echipamentului de bază al mașinii și trebuie să fie purtate întotdeauna în timpul utilizării acesteia.** De asemenea, purtați încălțăminte rezistentă și cu tălpi antiderapante.
- Înainte de a începe lucrul, verificați mașina pentru a vă asigura că este în stare bună și sigură de funcționare.** Asigurați-vă că apărătorile sunt montate corect. Mașina nu trebuie utilizată dacă nu este complet asamblată.

Operarea

- Țineți bine mașina cu ambele mâini atunci când o utilizați.**
- Mașina este concepută pentru a fi utilizată la nivelul solului de către operator.** Nu utilizați mașina pe scări sau pe alte suporturi instabile.
- PERICOL - Țineți mâinile la distanță de lamă.** Contactul cu lama poate cauza vătămări corporale grave.
- Înainte de utilizării, asigurați-vă că aveți o bază sigură de sprijinire a picioarelor.**
- Nu acționați unealta în gol în mod inutil.**
- Oprți imediat mașina și scoateți cartușul acumulatorului în cazul în care lamele de foarfecă intră în contact cu un gard sau cu un alt obiect dur.** Verificați lamele și, dacă sunt deteriorate, înlocuiți-le imediat.
- Înainte de a verifica lamele de foarfecă, de a remedia defecțiunile sau de a scoate materialul prins în lamele de foarfecă, oprți întotdeauna mașina și scoateți cartușul acumulatorului.**
- Nu îndreptați niciodată lamele de foarfecă spre dumneavoastră sau spre alte persoane.**
- Dacă lamele se opresc din cauza blocării unor obiecte străine între acestea în timpul funcționării, oprți mașina și scoateți cartușul acumulatorului, iar apoi îndepărtați obiectele străine cu ajutorul unor unelte precum cleștele.** Îndepărtarea manuală a obiectelor străine poate cauza accidente deoarece, ca reacție la îndepărtarea obiectelor străine, lamele s-ar putea mișca.
- Dacă folosiți mașina pe terenuri noroioase, pe pante umede sau în locuri alunecoase, fiți atenți la păstrarea echilibrului.**
- Nu introduceți mașina în bălți de apă.**
- Nu lăsați mașina nesupravegheată afară, în ploaie.**

Siguranța electrică și a acumulatorului

- Evitați mediile periculoase.** Nu utilizați mașina în locații cu umezeală și nu o expuneți la ploaie. Dacă intră apă în mașină, riscul electrocutării este mai mare.
- Nu aruncați acumulatorul(ii) în foc.** Elementul poate exploda. Consultați codurile locale pentru posibile instrucțiuni speciale privind eliminarea.

3. Nu deschideți și nu dezmembrați acumulatorul(ii). Electrolițul eliberat este coroziv și poate cauza afecțiuni ale pielii și ochilor. Acesta poate fi toxic dacă este înghițit.
4. Nu încărcați bateria în ploaie sau în zone cu umezeală.
5. Nu încărcați acumulatorul în exterior.
6. Nu manipulați încărcătorul, inclusiv fișa și bornele acestuia, cu mâinile ude.
7. Nu înlocuiți acumulatorul cu mâinile umede.
8. Nu înlocuiți acumulatorul pe timp de ploaie.
9. Nu umeziți bornele acumulatorului cu lichid precum apă și nu scufundați acumulatorul în apă. Nu lăsați acumulatorul în ploaie și nu încărcați, nu utilizați sau nu depozitați acumulatorul într-un loc umez sau ud. Dacă bornele se udă sau intră lichid în acumulator, acumulatorul poate fi scurtcircuitat și există riscul de supraîncălzire, incendiu sau explozie.
10. După ce scoateți acumulatorul din mașină sau din încărcător, asigurați-vă că atașați capacul acumulatorului la acumulator și că îl depozitați într-un loc uscat.
11. În cazul în care cartușul acumulatorului se udă, scurgeți apa din interior și uscați-l cu o pănză uscată. Lăsați cartușul acumulatorului să se usuce complet într-un loc uscat, înainte de utilizare.

Întreținere și depozitare

1. Opriți mașina și scoateți cartușul acumulatorului înainte de a efectua orice operații de întreținere.
2. Când mutați mașina într-o altă locație, inclusiv în timpul desfășurării activității, scoateți întotdeauna cartușul acumulatorului și montați capacul pentru lame peste lamele de foarfecă. Nu transportați niciodată mașina atunci când lamele funcționează. Nu apucați niciodată lamele cu mâinile.
3. După utilizare și înainte de a depozita mașina pentru o perioadă îndelungată, curățați mașina și, în special, lamele de foarfecă. Ungeți lamele cu puțin ulei și puneți capacul peste lame.
4. Depozitați mașina cu capacul pus peste lame, într-o încăpere uscată. Nu o lăsați la îndemâna copiilor. Nu depozitați niciodată mașina în exterior.
5. Nu aruncați acumulatorul(ii) în foc. Elementul poate exploda. Consultați codurile locale pentru instrucțiunile corecte de depunere la deșuri.
6. Nu deschideți și nu dezmembrați acumulatorul(ii). Electrolițul eliberat este coroziv și poate cauza afecțiuni ale pielii și ochilor. Acesta poate fi toxic dacă este înghițit.
7. Nu încărcați bateria în ploaie sau în zone cu umezeală.
8. Atunci când depozitați mașina, evitați expunerea directă a acesteia la lumina soarelui și la ploaie, și amplasați-o într-un loc în care nu se încălzește și nici nu se umezește.

PĂSTRAȚI ACESTE INSTRUCȚIUNI.

⚠️ AVERTIZARE: NU permiteți comodității și familiarizării cu produsul (obținute prin utilizare repetată) să înlocuiască respectarea strictă a normelor de securitate pentru acest produs. FOLOSIREA INCORECTĂ sau nerespectarea normelor de securitate din acest manual de instrucțiuni poate provoca vătămări corporale grave.

Instrucțiuni importante privind siguranța pentru cartușul acumulatorului

1. Înainte de a folosi cartușul acumulatorului, citiți toate instrucțiunile și atenționările de pe (1) încărcătorul acumulatorului, (2) acumulator și (3) produsul care folosește acumulatorul.
2. Nu dezasamblați și nu interveniți asupra cartușului acumulatorului. Acest lucru poate cauza incendii, căldură excesivă sau explozii.
3. Dacă timpul de funcționare s-a redus excesiv, întrerupeți imediat funcționarea. Aceasta poate prezenta risc de supraîncălzire, posibile arsuri și chiar explozie.
4. Dacă electrolițul pătrunde în ochi, clătiți bine ochii cu apă curată și consultați imediat un medic. Există risc de orbire.
5. Nu scurtcircuitați cartușul acumulatorului:
 - (1) Nu atingeți bornele cu niciun material conductor.
 - (2) Evitați depozitarea cartușului acumulatorului la un loc cu alte obiecte metalice cum ar fi cuie, monede etc.
 - (3) Nu expuneți cartușul acumulatorului la apă sau ploaie.

Un scurtcircuit al acumulatorului poate provoca un flux puternic de curent electric, supraîncălzire, posibile arsuri și chiar defectarea mașinii.

6. Nu depozitați și nu utilizați mașina și cartușul acumulatorului în locuri în care temperatura poate atinge sau depăși 50 °C (122 °F).
7. Nu incinerati cartușul acumulatorului chiar dacă acesta este grav deteriorat sau complet uzat. Cartușul acumulatorului poate exploda în foc.
8. Nu introduceți cuie în cartușul acumulatorului, nu îl tăiați, striviți, aruncați sau scăpați și nu îl loviți cu un obiect dur. Astfel de acțiuni pot provoca incendii, căldură excesivă sau explozii.
9. Nu utilizați un acumulator deteriorat.
10. Acumulatorii Li-Ion încorporați se supun cerințelor Legislației privind substanțele periculoase. Pentru transporturi comerciale, efectuate de exemplu de către părți terțe, expeditori, trebuie respectate cerințele speciale de ambalare și etichetare. Pentru pregătirea articolului care urmează să fie expedit, este necesară consultarea unui expert în materiale periculoase. Vă rugăm să respectați, de asemenea, reglementările naționale, care pot fi mai detaliate. Izolați sau acoperiți contactele deschise și împachetați acumulatorul în așa fel încât să nu se poată mișca în ambalaj.

11. **Atunci când eliminați la deșeuri cartușul acumulatorului, scoateți-l din mașină și eliminați-l într-un loc sigur. Respectați normele naționale privind eliminarea la deșeuri a acumulatorului.**
12. **Utilizați acumulatorii numai cu produsele specificate de Makita. Instalarea acumulatorilor în produse neconforme poate cauza incendii, căldură excesivă, explozii sau scurgeri de electrolit.**
13. **Dacă mașina nu este utilizată o perioadă lungă de timp, acumulatorul trebuie scos din acesta.**
14. **În timpul utilizării și după aceea, cartușul acumulatorului se poate încălzi, ceea ce poate cauza arsuri sau arsuri la temperaturi scăzute. Fiți atenți la manipularea cartușelor de acumulator atunci când sunt fierbinți.**
15. **Nu atingeți borna mașinii imediat după utilizare, întrucât se poate încălzi foarte tare și poate provoca arsuri.**
16. **Nu lăsați să pătrundă așchii, praf sau pământ în borne, în orificii și în canelurile cartușului acumulatorului. Acest lucru poate provoca încălzirea, aprinderea, explozia și defectarea mașinii sau a cartușului acumulatorului, cauzând arsuri sau vătămări corporale.**
17. **Nu utilizați cartușul acumulatorului în apropierea liniilor electrice de înaltă tensiune, cu excepția cazului în care mașina suportă utilizarea în apropierea liniilor electrice de înaltă tensiune. Acest lucru poate duce la funcționarea necorespunzătoare sau la defectarea mașinii sau a cartușului acumulatorului.**
18. **Țineți acumulatorul la distanță de copii.**

PĂSTRAȚI ACESTE INSTRUCȚIUNI.

⚠ATENȚIE: Folosiți numai acumulatori Makita originali. Acumulatorii Makita care nu sunt originali și acumulatorii care au suferit modificări se pot aprinde, provocând incendii, leziuni corporale și daune. De asemenea, anulează garanția oferită de Makita pentru unealta și încărcătorul Makita.

Sfaturi pentru obținerea unei durate maxime de exploatare a acumulatorului

1. **Încărcați cartușul acumulatorului înainte de a se descărca complet. Întrerupeți întotdeauna funcționarea mașinii și încărcați cartușul acumulatorului când observați o scădere a puterii mașinii.**
2. **Nu reîncărcați niciodată un acumulator complet încărcat. Supraîncărcarea va scurta durata de exploatare a acumulatorului.**
3. **Încărcați cartușul acumulatorului la temperatura camerei, între 10 °C - 40 °C (50 °F - 104 °F). Lăsați un acumulator fierbinte să se răcească înainte de a-l încărca.**
4. **Atunci când nu utilizați cartușul acumulatorului, scoateți-l din mașină sau din încărcător.**
5. **Încărcați cartușul acumulatorului în cazul în care nu a fost utilizat pe o perioadă mai lungă (mai mult de șase luni).**

DESCRIEREA FUNCȚIILOR

⚠ATENȚIE: Asigurați-vă întotdeauna că mașina este oprită și cartușul acumulatorului este scos înainte de a ajusta sau verifica funcționarea mașinii.

Instalarea sau scoaterea cartușului acumulatorului

⚠ATENȚIE: Opriți întotdeauna mașina înainte de montarea sau demontarea cartușului de acumulator.

⚠ATENȚIE: Țineți ferm mașina și cartușul acumulatorului la montarea sau demontarea cartușului. În cazul în care nu țineți ferm mașina și cartușul de acumulator, acestea vă pot aluneca din mâini, rezultând defectarea mașinii și cartușului de acumulator, precum și în accidenteări personale.

► **Fig. 1:** 1. Indicator roșu 2. Buton 3. Cartușul acumulatorului

Pentru a scoate cartușul acumulatorului, glisați-l din mașină în timp ce glisați butonul de pe partea frontală a cartușului.

Pentru a monta cartușul acumulatorului, aliniați limba de pe cartușul acumulatorului cu canelura din carcasă și introduceți-l în locaș. Introduceți-l complet, până când se înclinetează în locaș. Dacă vedeți indicatorul roșu, astfel cum se arată în imagine, acesta nu este blocat complet.

⚠ATENȚIE: Instalați întotdeauna cartușul acumulatorului complet, până când indicatorul roșu nu mai este vizibil. În caz contrar, acesta poate cădea accidental din mașină provocând rănirea dumneavoastră sau a persoanelor din jur.

⚠ATENȚIE: Nu forțați cartușul acumulatorului la montare. Dacă acesta nu glisează ușor, înseamnă că a fost introdus incorect.

Indicarea capacității rămase a acumulatorului

Apăsăți butonul de verificare de pe cartușul acumulatorului, astfel încât să se indice capacitățile rămase ale acumulatorului. Lămpile indicatorului vor lumina timp de câteva secunde.

► **Fig.2:** 1. Lămpi indicatoare 2. Buton de verificare

Lămpi indicatoare			Capacitate rămasă
Iluminat	Oprit	Iluminare intermitentă	
■	□	▩	între 75% și 100%
■	■	■	între 50% și 75%
■	■	□	între 25% și 50%
■	□	□	între 0% și 25%
▩	□	□	Încărcați acumulatorul.
■	■	□	Este posibil ca acumulatorul să fie defect.
□	□	■	

NOTĂ: În funcție de condițiile de utilizare și temperatura ambientală, indicația poate fi ușor diferită de capacitatea reală.

NOTĂ: Prima lampă indicatoare (extremitatea stângă) va lumina intermitent când sistemul de protecție a acumulatorului funcționează.

Sistem de protecție mașină/acumulator

Mașina este prevăzută cu un sistem de protecție mașină/acumulator. Acest sistem întrerupe automat alimentarea motorului pentru a extinde durata de funcționare a mașinii și acumulatorului. Mașina se va opri automat în timpul funcționării, dacă se află într-una din situațiile următoare:

► **Fig.3:** 1. Lampă de avertizare

Lampă de avertizare		Stare
Culoare	● Pornit / ● Iluminare intermitentă	
Verde	●	Suprasarcină
Roșu	● (mașină) / ● (acumulator)	Supraîncălzire
Roșu	●	Descărcare completă

NOTĂ: În funcție de condițiile de utilizare, mașina se oprește automat, fără nicio indicație, dacă se încurcă în crengi sau resturi. În acest caz, opriți mașina și scoateți cartușul acumulatorului, apoi îndepărtați crengile sau resturile cu ajutorul unor unelte precum cleștii. După îndepărtarea crengilor sau a resturilor, instalați cartușul acumulatorului și reporniți mașina.

Protecție la suprasarcină

Dacă mașina sau acumulatorul este supraîncărcat cu ramuri prinse sau cu alte resturi, mașina se oprește automat, iar lampa de avertizare începe să emită o lumină verde intermitentă.

În această situație, opriți mașina și aplicația care a dus la suprasolicitarea mașinii. Apoi reporniți mașina.

Protecție împotriva supraîncălzirii pentru mașină sau acumulator

Dacă mașina sau cartușul acumulatorului se supraîncăzește, mașina se oprește automat. Dacă mașina se supraîncăzește, lampa de avertizare se aprinde în culoarea roșie. Atunci când cartușul acumulatorului se supraîncăzește, lampa de avertizare emite o lumină roșie intermitentă. Lăsați mașina și/sau acumulatorul să se răcească înainte de repornirea acesteia/acestui.

Protecție la supradescărcare

Atunci când capacitatea acumulatorului devine insuficientă, mașina se oprește automat și lampa de avertizare emite o lumină roșie intermitentă.

Dacă mașina nu funcționează deși întrerupătoarele sunt acționate, scoateți cartușul acumulatorului din mașină și încărcați-l.

Măsurile de protecție împotriva altor cauze

Sistemul de protecție este, de asemenea, conceput pentru alte cauze care ar putea deteriora mașina și permite mașinii să se oprească automat. Parcurgeți toți pașii următori pentru a elimina cauzele, atunci când mașina a fost oprită temporar sau a fost scoasă din funcțiune.

1. Opriți mașina, apoi porniți-o din nou pentru a reporni.
2. Încărcați acumulatorul (acumulatorii) sau înlocuiți-l (înlocuiți-i) cu un acumulator (acumulatori) încărcat (încărcați).
3. Lăsați mașina și acumulatorul (acumulatorii) să se răcească.

Dacă nu se poate observa nicio îmbunătățire prin resetarea sistemului de protecție, contactați centrul local de service Makita.

Aționarea comutatorului de alimentare

⚠️ AVERTIZARE: Pentru siguranța dumneavoastră, această mașină este echipată cu o pârghie care previne pornirea accidentală. Nu utilizați NICIODATĂ mașina dacă aceasta pornește la simpla tragere a butoanelor declanșatoare, fără a apăsa pârghia. Returnați unealta la un centru de service autorizat pentru efectuarea reparațiilor corespunzătoare ÎNAINTE de a continua utilizarea acesteia.

⚠️ AVERTIZARE: Nu blocați NICIODATĂ pârghia cu bandă adezivă sau nu dezactivați NICIODATĂ scopul sau funcția acesteia.

⚠️ AVERTIZARE: Înainte de a introduce cartușul acumulatorului în mașină, verificați întotdeauna dacă butoanele declanșatoare și pârghia funcționează corect și revin în poziția „OFF” (oprit) când sunt eliberate. Utilizarea mașinii cu un întrerupător care nu funcționează corect poate duce la pierderea controlului și la accidentări grave.

ATENȚIE: Nu puneți niciodată degetul pe butoanele declanșatoare în timpul transportului. Mașina poate porni accidental și poate provoca vătămări corporale.

NOTĂ: Nu trageți puternic butonul declanșator fără a apăsa pârghia. În caz contrar, întrerupătorul se poate rupe.

Apăsați butonul de alimentare principal pentru a porni mașina. Pentru a opri mașina, țineți apăsat pe butonul de alimentare principal până când se sting indicatoarele de viteză.

► **Fig.4:** 1. Buton de alimentare principal

NOTĂ: Lampa de avertizare luminează intermitent dacă butonul declanșator este tras în condiții de nefuncționare. Lampa de avertizare luminează intermitent dacă porniți întrerupătorul de alimentare principal în timp ce țineți apăsat în jos pârghia și butonul declanșator.

NOTĂ: Această unealtă este dotată cu funcția de oprire automată. Pentru a evita pornirea neintenționată, întrerupătorul de alimentare principal se va închide automat dacă butonul declanșator nu este tras pentru o anumită perioadă de timp după pornirea acestuia.




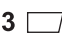



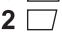

Pentru a preveni acționarea accidentală a butonului declanșator, este prevăzută o pârghie. Pentru a porni mașina, trageți butonul declanșator din față și apoi trageți butonul declanșator din spate în timp ce apăsați pârghia. Când eliberați oricare dintre butoanele declanșatoare, mașina se oprește.

► **Fig.5:** 1. Pârghie 2. Buton declanșator din spate
3. Buton declanșator din față

Reglarea vitezei

Puteți regla viteza mașinii apăsând pe butonul de alimentare principal. De fiecare dată când apăsați butonul de alimentare principal, nivelul vitezei se modifică.

► **Fig.6:** 1. Indicator de viteză 2. Buton de alimentare principal

Indicator de viteză	Mod	Viteza pistonului
  	Mare	5.000 min ⁻¹
  	Medie	3.600 min ⁻¹
  	Mică	2.000 min ⁻¹

Buton de inversare pentru înlăturarea resturilor

AVERTIZARE: Dacă resturile sau crengile nu pot fi eliminate cu ajutorul funcției inverse, opriți unealta și scoateți cartușul acumulatorului, apoi îndepărtați crengile sau resturile cu ajutorul unor unelte precum cleștii. Dacă unealta nu este oprită și cartușul acumulatorului nu este scos, se pot produce vătămări personale grave în urma pornirii accidentale. Îndepărtarea manuală a crengilor și a resturilor poate cauza accidente, având în vedere că lamele de foarfecă se pot mișca, ca reacție la îndepărtarea acestora.

Această unealtă este prevăzută cu un buton de inversare a sensului de mișcare pentru a schimba direcția de mișcare a lamelor de foarfecă. Este utilizat doar pentru înlăturarea crengilor și a resturilor agățate în unealtă. Pentru a inversa sensul de mișcare a lamelor de foarfecă, apăsați butonul de inversare atunci când lamele de foarfecă se opresc, apoi trageți butonul declanșator din față, iar apoi trageți butonul declanșator din spate în timp ce apăsați pârghia. Indicatoarele de viteză încep să lumineze intermitent, iar lamele de foarfecă se mișcă în sens invers.

După îndepărtarea crengilor și a resturilor, mașina revine la mișcarea obișnuită, iar indicatorii de viteză nu mai luminează intermitent și se aprind.

► **Fig.7:** 1. Indicator de viteză 2. Buton de inversare

NOTĂ: Dacă resturile sau crengile agățate nu pot fi îndepărtate, eliberați butoanele declanșatoare și apăsați butonul de inversare, apoi trageți butoanele declanșatoare până la eliminarea acestora.

NOTĂ: Dacă apăsați butonul de inversare în timp ce lamele de foarfecă încă se mișcă, mașina se oprește și este pregătită pentru mișcarea inversă.

Funcție electronică

Mașina este echipată cu funcții electronice pentru utilizare facilă.

- Control constant al vitezei
Funcția de control al vitezei furnizează viteza de rotație constantă indiferent de condițiile de sarcină.
- Frână electrică
Această mașină este echipată cu frână electrică. Dacă, în repetate rânduri, mașina nu oprește rapid lamele de foarfecă după ce butonul declanșator este eliberat, solicitați repararea acesteia la un centru de service autorizat Makita.
- Funcție de prevenire a repornirii accidentale
Chiar dacă montați cartușul acumulatorului în timp ce trageți butonul declanșator, mașina nu pornește. Pentru a porni mașina, mai întâi eliberați butonul declanșator și apoi trageți butonul declanșator.

ASAMBLARE

⚠ATENȚIE: Asigurați-vă întotdeauna că mașina este oprită și cartușul acumulatorului este scos înainte de a executa orice lucrări la mașină.

⚠ATENȚIE: Atunci când înlocuiți lamele de foarfecă, purtați întotdeauna mănuși, astfel încât mâinile și fața dvs. să nu intre în contact direct cu lamele.

NOTĂ: La înlocuirea lamelor de foarfecă, nu ștergeți unsoarea de pe angrenaj și de pe pârghie.

Montarea sau demontarea lamelor de foarfecă

⚠ATENȚIE: Atașați capacul pentru lame înainte de a demonta sau monta lamele de foarfecă.

Puteți monta lame de foarfecă de 600 mm sau 750 mm pe mașina dumneavoastră.

NOTĂ: Dacă modificați lungimea lamelor de foarfecă, înlocuiți recipientul de resturi cu unul care se potrivește cu lamele.

1. Scoateți patru șuruburi (pentru UH013G) sau cinci șuruburi (pentru UH014G), apoi scoateți recipientul de resturi din mașină.

Pentru UH013G

► Fig.8: 1. Recipient de resturi 2. Șurub

Pentru UH014G

► Fig.9: 1. Recipient de resturi 2. Șurub

2. Așezați mașina cu partea de jos în sus, apoi scoateți șase bolțuri.

► Fig.10: 1. Bolț

3. Scoateți capacul și placa.

► Fig.11: 1. Capac 2. Placă

NOTĂ: Placa poate rămâne pe capac.

4. Scoateți tija și lagărul.

► Fig.12: 1. Tijă 2. Lagăr

NOTĂ: Tijă sau lagărul poate rămâne pe capac.

5. Scoateți trei șuruburi, trei manșoane și talerul de pâslă, apoi scoateți lamele de foarfecă.

► Fig.13: 1. Șurub 2. Manșon 3. Taler de pâslă
4. Lame de foarfecă

NOTĂ: Aveți grijă să nu pierdeți șuruburile.

6. Scoateți capacul pentru lame, iar apoi montați-l pe lamele de foarfecă noi.

► Fig.14

7. Ajustați pârghia astfel încât cele două orificii să fie aliniate pe linia de aliniere.

► Fig.15: 1. Orificiu 2. Linie de aliniere

8. Aliniați vertical proeminențele de pe lamele de foarfecă, în aceeași poziție.

► Fig.16: 1. Proeminență

9. Introduceți șurubul scos la pasul 5 în orificiile de pe capacul lamei și de pe lamele de foarfecă pentru a fixa temporar lamele de foarfecă și apoi atașați talerul de pâslă la lamele de foarfecă.

► Fig.17: 1. Șurub 2. Taler de pâslă 3. Orificiu

10. Introduceți proeminența de pe lamele de foarfecă în orificiul de pe tijă, apoi aliniați poziția talerului de pâslă cu orificiile de pe mașină. Atașați două manșoane noi.

► Fig.18: 1. Taler de pâslă 2. Proeminență 3. Orificiu
4. Manșon

NOTĂ: Aplicați o cantitate mică de unsoare în zona periferică inferioară a orificiului tijei.

NOTĂ: Aveți grijă să nu pierdeți manșoanele.

11. Aliniați orificiile de pe manșoane și de pe lamele de foarfecă cu orificiile de pe mașină și apoi strângeți două șuruburi pentru a fixa temporar lamele de foarfecă.

► Fig.19: 1. Șurub

12. Scoateți șurubul introdus în orificiul de pe lamele de foarfecă la pasul 9 și apoi glisați capacul lamei.

► Fig.20: 1. Șurub

13. Montați un manșon nou.

► Fig.21: 1. Manșon

14. Strângeți șurubul împreună cu manșonul pentru a fixa lamele de foarfecă.

► Fig.22: 1. Șurub

15. Strângeți bine șuruburile care au fost fixate temporar la pasul 11.

16. Montați lagărul și tija.

► Fig.23: 1. Tijă 2. Orificiu de dimensiuni mici 3. Lagăr

NOTĂ: Aplicați o cantitate mică de unsoare în zona periferică inferioară a orificiului de dimensiuni mici al tijei.

NOTĂ: Asigurați-vă că proeminența de pe lamele de foarfecă intră în orificiul de dimensiuni mici de pe tijă.

17. Atașați placa.

► Fig.24: 1. Proeminență 2. Placă

NOTĂ: Asigurați-vă că proeminența de pe lamele de foarfecă intră în orificiul de pe placă.

18. Atașați capacul, apoi strângeți șase bolțuri.

► Fig.25: 1. Bolț 2. Capac

19. Atașați recipientul de resturi la mașină prin strângerea a patru șuruburi (pentru UH013G) sau a cinci șuruburi (pentru UH014G).

Pentru UH013G

► Fig.26: 1. Recipient de resturi 2. Șurub

Pentru UH014G

► Fig.27: 1. Recipient de resturi 2. Șurub

NOTĂ: Dacă lamele de foarfecă nu se mișcă lin, lamele de foarfecă nu sunt angrenate cu tije în mod corespunzător. Instalați din nou lamele de foarfecă.

NOTĂ: Dacă alte piese, cu excepția lamelor de foarfecă, cum ar fi tije, se uzează, solicitați Centrelor de service autorizate Makita să înlocuiască piesele sau să efectueze reparații.

Demontarea sau montarea recipientului de resturi

⚠️ ATENȚIE: Atunci când montați sau demontați recipientul de resturi, purtați întotdeauna mănuși, astfel încât mâinile și fața dvs. să nu intre în contact direct cu lamele de foarfecă.

Recipientul de resturi colectează frunzele eliminate și facilitează curățarea ulterioară.

Pentru a scoate recipientul de resturi, scoateți patru șuruburi (pentru UH013G) sau cinci șuruburi (pentru UH014G) și apoi scoateți recipientul de resturi din mașină. Pentru a monta recipientul de resturi, executați în ordine inversă operațiile de demontare.

Pentru UH013G

► **Fig.28:** 1. Recipient de resturi 2. Șurub

Pentru UH014G

► **Fig.29:** 1. Recipient de resturi 2. Șurub

OPERAREA

⚠️ AVERTIZARE: Țineți mâinile la distanță de lamele de foarfecă.

⚠️ ATENȚIE: Pe cât posibil, evitați operarea unelei în condiții de temperatură foarte ridicată. La operarea unelei, țineți cont de condiția dumneavoastră fizică.

⚠️ ATENȚIE: În timpul tunderii, aveți grijă să nu atingeți accidental un gard metalic sau alte obiecte tari. Lamele de foarfecă se pot rupe și pot produce răni.

⚠️ ATENȚIE: Aveți grijă să nu lăsați lamele de foarfecă să intre în contact cu solul. Unealta poate recula, cauzând răni.

⚠️ ATENȚIE: Întinderea cu o mașină de tuns gardul viu, în special de pe o scară, este extrem de periculoasă. Nu lucrați în timp ce stați pe suporturi instabile sau lipsite de fermitate.

NOTĂ: Nu încercați să tăiați ramuri mai groase de 10 mm cu unealta. Tăiați crengile la o înălțime cu 10 cm mai mică decât înălțimea de tăiere utilizând un cuțit de crengi, înainte de a utiliza această unealtă.

► **Fig.30:** (1) Înălțime de tăiere (2) 10 cm

NOTĂ: Nu tăiați copaci uscați sau alte obiecte similare dure. Această acțiune poate deteriora unealta.

NOTĂ: Nu tundeți iarba sau buruienile utilizând lamele de foarfecă. Lamele de foarfecă se pot încălzi în iarbă sau în buruieni.

Apucați mânerul din față cu mâna dreaptă și mânerul din spate cu mâna stângă. Trageți butonul declanșator din față, apoi trageți butonul declanșator din spate în timp ce apăsați pârghia, apoi mișcați mașina în față.

► **Fig.31**

Ca operație de bază, înclinați lamele de foarfecă spre direcția de tundere și deplasați-le calm și lent la o viteză nominală de 3 – 4 secunde pe metru.

► **Fig.32**

Pentru a tăia uniform partea de sus a gardului viu, legați un șnur la înălțimea dorită și aliniați-l.

► **Fig.33**

Recipientul de resturi colectează frunzele eliminate și facilitează curățarea ulterioară.

► **Fig.34**

Pentru a tunde uniform o față a gardului viu, tăiați de jos în sus.

► **Fig.35**

Când tundeți în scopul de a crea o formă rotunjită (tunderea speciilor de Buxus sau Rododendron etc.), tundeți de la rădăcină spre partea superioară, pentru a obține un finisaj aspectuos.

► **Fig.36**

ÎNTREȚINERE

⚠️ ATENȚIE: Asigurați-vă întotdeauna că mașina este oprită și cartușul acumulatorului scos înainte de a executa lucrările de inspecție și întreținere.

Pentru a menține SIGURANȚA și FIABILITATEA produsului, reparațiile și orice alte lucrări de întreținere sau reglare trebuie executate de centre de service Makita autorizate sau proprii, folosind întotdeauna piese de schimb Makita.

Curățarea unelei

Curățați unealta ștergând praful cu o lavetă uscată și cu o lavetă umezită cu apă cu săpun și stoarsă.

NOTĂ: Nu utilizați niciodată gazolină, benzină, diluant, alcool sau alte substanțe asemănătoare. În caz contrar, pot rezulta decolorări, deformări sau fisuri.

Întreținerea lamelor de foarfecă

Înainte de utilizare, sau o dată pe oră în timpul operării, aplicați ulei cu vâscozitate redusă (ulei de mașină sau ulei de lubrifiere cu aplicare prin pulverizare) pe lamele de foarfecă.

► **Fig.37**

După utilizare, îndepărtați praful de pe lamele de foarfecă cu o perie din sârmă, ștergeți-le cu o cârpă și apoi aplicați ulei cu vâscozitate redusă (ulei de mașină sau ulei de lubrifiere cu aplicare prin pulverizare) pe lamele de foarfecă.

► **Fig.38**

NOTĂ: Nu spălați lamele de foarfecă în apă. În caz contrar, unealta poate fi deteriorată sau poate rugini.

NOTĂ: Murdăria și coroziunea pot cauza o fricțiune excesivă a lamei și pot scurta timpul de operare între încărcările acumulatorului.

Depozitare

Orificiul pentru cârlig din partea inferioară a uneltei este convenabil pentru suspendarea uneltei de un cui sau de surub de pe perete.

Scoateți cartușul acumulatorului din mașină și montați capacul peste lamele de foarfecă, astfel încât lamele să nu fie expuse. Depozitați mașina în locuri în care copiii nu au acces. Depozitați mașina într-un loc care nu este expus la umezeală sau ploaie.

► **Fig.39:** 1. Orificiu

Ascuțirea lamelor de foarfecă

NOTĂ: Dacă lamele de foarfecă s-au deformat considerabil prin ascuțire, înlocuiți-le cu un set nou.

1. Montați cartușul acumulatorului pe unelaltă.
2. Porniți unelaltă astfel încât lama superioară și lama inferioară să fie poziționate alternativ.

► **Fig.40**

3. Deconectați sursa de alimentare și scoateți cartușul acumulatorului din unelaltă.

4. Reglați unghiul pilei la 45° și ascuțiți lama superioară din 3 direcții cu pila.

► **Fig.41:** (1) Pila (2) 45°

ATENȚIE: Înainte de ascuțirea lamelor de foarfecă, asigurați-vă întotdeauna că unelaltă este oprită și cartușul acumulatorului este scos.

5. Așezați mașina cu partea de jos în sus, apoi îndepărtați impuritățile vegetale de pe lamele de foarfecă cu piatra de rectificat.

► **Fig.42:** 1. Piatră de rectificat

6. Reglați unghiul pilei la 45° și ascuțiți lama inferioară din 3 direcții cu pila.

7. Așezați unelaltă în poziție normală, apoi îndepărtați impuritățile vegetale de pe lamele de foarfecă cu piatra de rectificat.

Lubrifiere cu unsoare

Interval de lubrifiere: La fiecare 50 ore de funcționare

1. Scoateți bolțul din orificiul pentru lubrifiere.

► **Fig.43:** 1. Bolț

2. Scoateți capacul recipientului cu unsoare. Aliniați vârful recipientului cu unsoare cu orificiul de pe capac și apoi apăsați vârful recipientului cu unsoare în orificiu.

► **Fig.44:** 1. Recipient cu unsoare 2. Orificiu

3. Aplicați unsoare pe unelaltă (Aproximativ 5 g ca indicație).

4. Strângeți bolțul.

DEPANARE

Înainte de a solicita reparații, efectuați mai întâi propria inspecție. În cazul în care găsiți o problemă care nu este explicată în manual, nu încercați să demontați echipamentul. În schimb, adresați-vă Centrelor de service autorizate Makita, utilizând întotdeauna piese de schimb Makita pentru reparații.

Stare de anormalitate	Cauză probabilă (defecțiune)	Remediu
Motorul nu operează.	Cartușul acumulatorului nu este montat.	Montați cartușul acumulatorului.
	Problema cu acumulatorul (tensiune scăzută)	Reîncărcați acumulatorul. Dacă reîncărcarea nu este eficientă, înlocuiți acumulatorul.
	Sistemul de acționare nu funcționează corect.	Solicitați centrului de service autorizat local efectuarea reparațiilor.
Motorul se oprește din funcționare după puțin timp.	Nivelul de încărcare al acumulatorului este redus.	Reîncărcați acumulatorul. Dacă reîncărcarea nu este eficientă, înlocuiți acumulatorul.
	Supraîncălzire.	Opritiți utilizarea uneltei și lăsați-o să se răcească.
Mașina nu atinge turația maximă (RPM).	Acumulatorul este instalat necorespunzător.	Montați cartușul de acumulator în modul descris în acest manual.
	Puterea acumulatorului se reduce.	Reîncărcați acumulatorul. Dacă reîncărcarea nu este eficientă, înlocuiți acumulatorul.
	Sistemul de acționare nu funcționează corect.	Solicitați centrului de service autorizat local efectuarea reparațiilor.
Lamele de foarfecă nu se mișcă: ⇒ opritiți imediat mașina!	Obiecte străine sunt prinse în lamele de foarfecă.	1. Utilizați butonul de inversare. 2. Opritiți mașina și scoateți cartușul acumulatorului, apoi îndepărtați obiectele străine cu ajutorul unor unelte precum cleștii.
	Sistemul de acționare nu funcționează corect.	Solicitați centrului de service autorizat local efectuarea reparațiilor.
Vibrații anormale: ⇒ opritiți imediat mașina!	Lamele de foarfecă sunt rupte, îndoite sau uzate.	Înlocuiți lamele de foarfecă.
	Sistemul de acționare nu funcționează corect.	Solicitați centrului de service autorizat local efectuarea reparațiilor.
Lamele de foarfecă și motorul nu pot fi oprite: ⇒ Scoateți imediat acumulatorul!	Defecțiune electrică.	Scoateți acumulatorul și solicitați reparații din partea centrului de service autorizat local.

ACCESORII OPȚIONALE

⚠️ ATENȚIE: Folosiți accesoriile sau piesele auxiliare recomandate pentru mașina dumneavoastră Makita în acest manual. Utilizarea oricăror alte accesorii sau piese auxiliare poate prezenta risc de vătămare corporală. Utilizați accesoriile și piesele auxiliare numai în scopul destinat.

Dacă aveți nevoie de asistență sau de mai multe detalii referitoare la aceste accesorii, adresați-vă centrului local de service Makita.

- Ansamblu lame de foarfecă
- Recipient de resturi
- Recipient cu unsoare
- Acumulator și încărcător original Makita

NOTĂ: Unele articole din listă pot fi incluse ca accesorii standard în ambalajul de scule. Acestea pot diferi în funcție de țară.

TECHNISCHE DATEN

Modell:	UH013G	UH014G
Messerlänge	600 mm	750 mm
Hubzahl pro Minute	2.000 / 3.600 / 5.000 min ⁻¹	
Gesamtlänge	1.085 mm	1.225 mm
Nennspannung	36 V - 40 V Gleichstrom	
Nettogewicht	3,9 - 4,5 kg	4,0 - 4,7 kg
Schutzgrad	IPX4	

- Wir behalten uns vor, Änderungen der technischen Daten im Zuge der Entwicklung und des technischen Fortschritts ohne vorherige Ankündigung vorzunehmen.
- Die technischen Daten können von Land zu Land unterschiedlich sein.
- Das Gewicht kann abhängig von dem Aufsatz (den Aufsätzen), einschließlich des Akkus, unterschiedlich sein. Die leichteste und die schwerste Kombination, gemäß dem EPTA-Verfahren 01/2014, sind in der Tabelle angegeben.

Zutreffende Akkus und Ladegeräte

Akku	BL4020* / BL4025* / BL4040* / BL4050F * : Empfohlener Akku
Ladegerät	DC40RA / DC40RB / DC40RC

- Einige der oben aufgelisteten Akkus und Ladegeräte sind je nach Ihrem Wohngebiet eventuell nicht erhältlich.

⚠️ WARNUNG: Verwenden Sie nur die oben aufgeführten Akkus und Ladegeräte. Bei Verwendung irgendwelcher anderer Akkus und Ladegeräte besteht Verletzungs- und/oder Brandgefahr.





Empfohlene kabelgebundene Stromquelle

Rückentragbare Akku-Bank	PDC01 / PDC1200
--------------------------	-----------------

- Die oben aufgelisteten kabelgebundenen Stromquellen sind je nach Ihrem Wohngebiet eventuell nicht erhältlich.
- Lesen Sie vor Gebrauch der kabelgebundenen Stromquelle die daran angebrachten Anweisungen und Warnmarkierungen durch.

Symbole

Nachfolgend werden Symbole beschrieben, die für das Gerät verwendet werden können. Machen Sie sich unbedingt vor der Benutzung mit ihrer Bedeutung vertraut.

	Betriebsanleitung lesen.
	GEFAHR- Halten Sie Ihre Hände vom Messer fern.
	Schutzbrille tragen.
	



Nur für EU-Länder
Aufgrund des Vorhandenseins gefährlicher Komponenten in der Ausrüstung können Elektro- und Elektronik-Altgeräte, Akkumulatoren und Batterien sich negativ auf die Umwelt und die menschliche Gesundheit auswirken.
Entsorgen Sie Elektro- und Elektronikgeräte oder Batterien nicht mit dem Hausmüll!
In Übereinstimmung mit der Europäischen Richtlinie über Elektro- und Elektronik-Altgeräte, Akkumulatoren und Batterien, verbrauchte Akkumulatoren und Batterien sowie ihrer Anpassung an nationales Recht sollten Elektro-Altgeräte, Batterien und Akkumulatoren gemäß den Umweltschutzbestimmungen getrennt gelagert und zu einer getrennten Sammelstelle für Siedlungsabfälle geliefert werden.
Dies wird durch das am Gerät angebrachte Symbol der durchgestrichenen Abfalltonne auf Rädern angezeigt.

Vorgesehene Verwendung

Das Werkzeug ist zum Trimmen von Hecken vorgesehen.

Geräusch

Zutreffender Standard : EN62841-4-2

Modell	Schalldruckpegel		Schallleistungspegel	
	L_{pA} (dB(A))	Messunsicherheit K (dB (A))	L_{WA} (dB (A))	Messunsicherheit K (dB (A))
UH013G	80	3	91	3
UH014G	81	3	92	3

HINWEIS: Der (Die) angegebene(n) Schallemissionswert(e) wurde(n) im Einklang mit der Standardprüfmethode gemessen und kann (können) für den Vergleich zwischen Werkzeugen herangezogen werden.

HINWEIS: Der (Die) angegebene(n) Schallemissionswert(e) kann (können) auch für eine Vorbewertung des Gefährdungsgrads verwendet werden.

⚠️ WARNUNG: Einen Gehörschutz tragen.

⚠️ WARNUNG: Die Schallemission während der tatsächlichen Benutzung des Elektrowerkzeugs kann je nach der Benutzungsweise des Werkzeugs, und speziell je nach der Art des bearbeiteten Werkstücks, von dem (den) angegebenen Wert(en) abweichen.

⚠️ WARNUNG: Identifizieren Sie Sicherheitsmaßnahmen zum Schutz des Benutzers anhand einer Schätzung des Gefährdungsgrads unter den tatsächlichen Benutzungsbedingungen (unter Berücksichtigung aller Phasen des Arbeitszyklus, wie z. B. Ausschalt- und Leerlaufzeiten des Werkzeugs zusätzlich zur Betriebszeit).

Schwingungen

Schwingungsgesamtwert (Drei-Achsen-Vektorsumme) ermittelt gemäß EN62841-4-2:

Modell	Vorderer Handgriff		Hinterer Handgriff	
	ah (m/s^2)	Messunsicherheit K (m/s^2)	ah (m/s^2)	Messunsicherheit K (m/s^2)
UH013G	2,5	1,5	2,5 m/s^2 oder weniger	1,5
UH014G	3,2	1,5	2,5 m/s^2 oder weniger	1,5

HINWEIS: Der (Die) angegebene(n) Vibrationsgesamtwert(e) wurde(n) im Einklang mit der Standardprüfmethode gemessen und kann (können) für den Vergleich zwischen Werkzeugen herangezogen werden.

HINWEIS: Der (Die) angegebene(n) Vibrationsgesamtwert(e) kann (können) auch für eine Vorbewertung des Gefährdungsgrads verwendet werden.

⚠️ WARNUNG: Die Vibrationsemission während der tatsächlichen Benutzung des Elektrowerkzeugs kann je nach der Benutzungsweise des Werkzeugs, und speziell je nach der Art des bearbeiteten Werkstücks, von dem (den) angegebenen Emissionswert(en) abweichen.

⚠️ WARNUNG: Identifizieren Sie Sicherheitsmaßnahmen zum Schutz des Benutzers anhand einer Schätzung des Gefährdungsgrads unter den tatsächlichen Benutzungsbedingungen (unter Berücksichtigung aller Phasen des Arbeitszyklus, wie z. B. Ausschalt- und Leerlaufzeiten des Werkzeugs zusätzlich zur Betriebszeit).

EG-Konformitätserklärung

Nur für europäische Länder

Die EG-Konformitätserklärung ist als Anhang A in dieser Bedienungsanleitung enthalten.

SICHERHEITSWARNUNGEN

Allgemeine Sicherheitswarnungen für Elektrowerkzeuge

⚠️ WARNUNG: Lesen Sie alle mit diesem Elektrowerkzeug gelieferten Sicherheitswarnungen, Anweisungen, Abbildungen und technischen Daten durch. Eine Missachtung der unten aufgeführten Anweisungen kann zu einem elektrischen Schlag, Brand und/oder schweren Verletzungen führen.

Bewahren Sie alle Warnungen und Anweisungen für spätere Bezugnahme auf.

Der Ausdruck „Elektrowerkzeug“ in den Warnhinweisen bezieht sich auf Ihr mit Netzstrom (mit Kabel) oder Akku (ohne Kabel) betriebenes Elektrowerkzeug.

Sicherheitswarnungen für Akku-Heckenschere

- Halten Sie alle Körperteile vom Messer fern. Versuchen Sie nicht, abgeschnittenes Material zu entfernen oder zu schneidendes Material zu halten, während die Messer sich bewegen.** Die Messer bewegen sich nach dem Ausschalten des Schalters noch weiter. Ein Augenblick der Unachtsamkeit während der Benutzung der Heckenschere kann zu schweren Personenschäden führen.
- Tragen Sie die Heckenschere bei still stehendem Messer am Handgriff, und achten Sie darauf, keinen Ein-Aus-Schalter zu betätigen.** Sachgemäßes Tragen der Heckenschere verringert die Gefahr von versehentlichem Starten und daraus resultierenden Personenschäden durch die Messer.
- Bringen Sie beim Transportieren oder Lagern der Heckenschere immer die Messerabdeckung an.** Sachgemäße Handhabung der Heckenschere verringert die Gefahr von Personenschäden durch die Messer.
- Vergewissern Sie sich vor dem Beseitigen von eingeklemmtem Material oder dem Warten des Gerätes, dass alle Ein-Aus-Schalter ausgeschaltet sind und der Akku abgenommen oder abgetrennt ist.** Unerwartete Betätigung der Heckenschere beim Beseitigen von eingeklemmtem Material oder Warten kann zu schweren Personenschäden führen.
- Halten Sie die Heckenschere nur an den isolierten Griffflächen, weil die Gefahr besteht, dass das Messer verborgene Kabel kontaktiert.** Bei Kontakt der Messer mit einem Strom führenden Kabel können die freiliegenden Metallteile der Heckenschere ebenfalls Strom führend werden, so dass der Benutzer einen elektrischen Schlag erleiden kann.

- Halten Sie alle Netzkabel und Kabel vom Schneidbereich fern.** Netzkabel oder Kabel können in Hecken oder Büschen verborgen sein und versehentlich durch das Messer abgeschnitten werden.
- Benutzen Sie die Heckenschere nicht bei schlechten Witterungsverhältnissen, besonders bei Blitzschlaggefahr.** Dadurch wird die Blitzschlaggefahr verringert.

Zusätzliche Sicherheitsanweisungen

Vorbereitung

- Überprüfen Sie die Hecken und Büsche auf Fremdkörper, wie z. B. Drahtzäune oder verborgene Kabel, bevor Sie das Werkzeug betreiben.**
- Das Werkzeug darf nicht von Kindern oder Jugendlichen unter 18 Jahren benutzt werden.** Jugendliche über 16 Jahre können von dieser Einschränkung ausgenommen werden, wenn sie eine Schulung unter der Aufsicht eines Fachmanns durchmachen.
- Anfänger sollten sich von einem erfahrenen Benutzer im Gebrauch des Werkzeugs unterweisen lassen.**
- Benutzen Sie das Werkzeug nur, wenn Sie sich in guter körperlicher Verfassung befinden.** Ermüdung führt zu verminderter Aufmerksamkeit. Besonders hohe Aufmerksamkeit ist am Ende eines Arbeitstages erforderlich. Führen Sie alle Arbeiten ruhig und sorgfältig durch. Der Benutzer ist für alle Schäden an Dritten verantwortlich.
- Benutzen Sie das Werkzeug niemals unter dem Einfluss von Alkohol, Drogen oder Medikamenten.**
- Arbeitshandschuhe aus robustem Leder sind Teil der Grundausrüstung des Werkzeugs und müssen bei der Arbeit immer getragen werden. Tragen Sie auch robuste Schuhe mit rutschfesten Sohlen.**
- Bevor Sie mit der Arbeit beginnen, vergewissern Sie sich, dass das Werkzeug in gutem und sicherem Arbeitszustand ist. Vergewissern Sie sich, dass Schutzhauben ordnungsgemäß angebracht sind. Das Werkzeug darf nur in vollständig montiertem Zustand benutzt werden.**

Betrieb

- Halten Sie das Werkzeug während der Benutzung mit beiden Händen fest.**
- Das Werkzeug ist zur Benutzung durch den Bediener auf Bodenhöhe vorgesehen. Benutzen Sie das Werkzeug nicht auf einer Leiter oder einer anderen instabilen Unterlage.**
- GEFAHR - Halten Sie Ihre Hände vom Messer fern.** Kontakt mit dem Messer führt zu ernsthaften Personenschäden.
- Achten Sie auf sicheren Stand, bevor Sie mit der Arbeit beginnen.**
- Lassen Sie das Werkzeug nicht unnötig im Leerlauf laufen.**

6. **Schalten Sie das Werkzeug sofort aus, und nehmen Sie den Akku ab, falls die Schermesser mit einem Zaun oder einem anderen harten Objekt in Berührung kommen. Überprüfen Sie die Messer auf Beschädigung, und ersetzen Sie beschädigte Messer unverzüglich.**
7. **Schalten Sie stets das Werkzeug aus, und nehmen Sie den Akku ab, bevor Sie die Schermesser überprüfen, Fehler beheben oder zwischen den Schermessern eingeklemmtes Material entfernen.**
8. **Richten Sie die Schermesser niemals auf sich selbst oder andere Personen.**
9. **Falls die Messer stehen bleiben, weil sich Fremdkörper während des Betriebs zwischen den Messern verfangen haben, schalten Sie das Werkzeug aus, nehmen Sie den Akku ab, und beseitigen Sie dann die Fremdkörper mithilfe von Werkzeugen, wie z. B. einer Zange. Beseitigen der Fremdkörper von Hand kann zu einer Verletzung führen, da sich die Messer als Reaktion auf die Beseitigung der Fremdkörper bewegen können.**
10. **Wenn Sie das Werkzeug auf schlammigem Boden, auf einem nassen Hang oder an einem schlüpfrigen Ort benutzen, achten Sie auf Ihren Stand.**
11. **Tauchen Sie das Werkzeug nicht in einen Tümpel ein.**
12. **Lassen Sie das Werkzeug bei Regen nicht unbeaufsichtigt im Freien stehen.**

Sicherheit der Elektrik und des Akkus

1. **Vermeiden Sie gefährliche Umgebungen. Benutzen Sie das Werkzeug nicht an feuchten oder nassen Orten, und setzen Sie es auch keinem Regen aus. Wasser, das in das Werkzeug eindringt, erhöht die Stromschlaggefahr.**
2. **Werfen Sie den (die) Akku(s) nicht ins Feuer. Die Zelle könnte explodieren. Prüfen Sie die örtlichen Vorschriften für mögliche spezielle Entsorgungsanweisungen.**
3. **Versuchen Sie nicht, den (die) Akku(s) zu öffnen oder zu verstümmeln. Freigesetzter Elektrolyt ist korrosiv und kann Schäden an Augen oder Haut verursachen. Falls er verschluckt wird, kann er giftig sein.**
4. **Laden Sie den Akku nicht im Regen oder an nassen Orten.**
5. **Laden Sie den Akku nicht im Freien.**
6. **Fassen Sie das Ladegerät, einschließlich des Ladegerätesteckers und der Ladegeräteanschlüsse, nicht mit nassen Händen an.**
7. **Tauschen Sie den Akku nicht mit nassen Händen aus.**
8. **Tauschen Sie den Akku nicht im Regen aus.**
9. **Vermeiden Sie Benutzen der Akkukontakte mit einer Flüssigkeit, wie z. B. Wasser, oder Untertauchen des Akkus. Lassen Sie den Akku nicht im Regen stehen, und unterlassen Sie Laden, Benutzen oder Lagern des Akkus an einem feuchten oder nassen Ort. Falls die Kontakte nass werden, oder eine Flüssigkeit in den Akku eindringt, kann der Akku kurzgeschlossen werden, und es besteht Überhitzungs-, Brand- oder Explosionsgefahr.**

10. **Nachdem Sie den Akku vom Werkzeug oder Ladegerät entfernt haben, bringen Sie unbedingt die Akkuabdeckung am Akku an, und lagern Sie ihn an einem trockenen Ort.**
11. **Falls der Akku nass wird, lassen Sie das eingedrungene Wasser ab, und wischen Sie ihn dann mit einem trockenen Tuch ab. Lassen Sie den Akku an einem trockenen Ort vollkommen trocknen, bevor Sie ihn benutzen.**

Wartung und Lagerung

1. **Schalten Sie das Werkzeug aus, und nehmen Sie den Akku ab, bevor Sie irgendwelche Wartungsarbeiten ausführen.**
2. **Wenn Sie das Werkzeug zu einem anderen Ort transportieren, auch während der Arbeit, nehmen Sie immer den Akku ab, und setzen Sie die Messerabdeckung auf die Schermesser. Tragen oder transportieren Sie das Werkzeug niemals mit laufenden Messern. Ergreifen Sie die Messer niemals mit Ihren Händen.**
3. **Reinigen Sie das Werkzeug und insbesondere die Schermesser nach jedem Gebrauch und vor längerer Lagerung des Werkzeugs. Ölen Sie die Messer leicht ein, und bringen Sie die Messerabdeckung an.**
4. **Lagern Sie das Werkzeug mit angebrachter Messerabdeckung in einem trockenen Raum. Halten Sie sie außer Reichweite von Kindern. Lagern Sie das Werkzeug niemals im Freien.**
5. **Werfen Sie den (die) Akku(s) nicht ins Feuer. Die Zelle könnte explodieren. Prüfen Sie die örtlichen Vorschriften für mögliche spezielle Entsorgungsanweisungen.**
6. **Versuchen Sie nicht, den (die) Akku(s) zu öffnen oder zu verstümmeln. Freigesetzter Elektrolyt ist korrosiv und kann Schäden an Augen oder Haut verursachen. Falls er verschluckt wird, kann er giftig sein.**
7. **Laden Sie den Akku nicht im Regen oder an nassen Orten.**
8. **Lagern Sie das Werkzeug nicht an einem Ort, der direktem Sonnenlicht und Regen ausgesetzt ist, sondern an einem Ort, an dem es nicht heiß oder feucht wird.**

DIESE ANWEISUNGEN AUFBEWAHREN.

⚠️ WARNUNG: Lassen Sie sich NICHT durch Bequemlichkeit oder Vertrautheit mit dem Produkt (durch wiederholten Gebrauch erworben) von der strikten Einhaltung der Sicherheitsregeln für das vorliegende Produkt abhalten. MISSBRAUCH oder Missachtung der Sicherheitsvorschriften in dieser Anleitung können schwere Verletzungen verursachen.

Wichtige Sicherheitsanweisungen für Akku

1. **Lesen Sie vor der Benutzung des Akkus alle Anweisungen und Warnhinweise, die an (1) Ladegerät, (2) Akku und (3) Akkuwerkzeug angebracht sind.**
2. **Unterlassen Sie Zerlegen oder Manipulieren des Akkus.** Es kann sonst zu einem Brand, übermäßiger Hitzeentwicklung oder einer Explosion kommen.
3. **Falls die Betriebszeit beträchtlich kürzer geworden ist, stellen Sie den Betrieb sofort ein.** Andernfalls besteht die Gefahr von Überhitzung, möglichen Verbrennungen und sogar einer Explosion.
4. **Falls Elektrolyt in Ihre Augen gelangt, waschen Sie sie mit sauberem Wasser aus, und begeben Sie sich unverzüglich in ärztliche Behandlung.** Andernfalls können Sie Ihre Sehkraft verlieren.
5. **Der Akku darf nicht kurzgeschlossen werden:**
 - (1) **Die Kontakte dürfen nicht mit leitfähigem Material berührt werden.**
 - (2) **Lagern Sie den Akku nicht in einem Behälter zusammen mit anderen Metallgegenständen, wie z. B. Nägel, Münzen usw.**
 - (3) **Setzen Sie den Akku weder Wasser noch Regen aus.**

Ein Kurzschluss des Akkus verursacht starken Stromfluss, der Überhitzung, mögliche Verbrennungen und einen Defekt zur Folge haben kann.

6. **Lagern und benutzen Sie das Werkzeug und den Akku nicht an Orten, an denen die Temperatur 50 °C erreichen oder überschreiten kann.**
7. **Versuchen Sie niemals, den Akku zu verbrennen, selbst wenn er stark beschädigt oder vollkommen verbraucht ist. Der Akku kann im Feuer explodieren.**
8. **Unterlassen Sie Nageln, Schneiden, Zerquetschen, Werfen, Fallenlassen des Akkus oder Schlagen des Akkus mit einem harten Gegenstand.** Eine solche Handlung kann zu einem Brand, übermäßiger Hitzeentwicklung oder einer Explosion führen.
9. **Benutzen Sie keine beschädigten Akkus.**
10. **Die enthaltenen Lithium-Ionen-Akkus unterliegen den Anforderungen der Gefahrgut-Gesetzgebung.**

Für kommerzielle Transporte, z. B. durch Dritte oder Spediteure, müssen besondere Anforderungen zu Verpackung und Etikettierung beachtet werden. Zur Vorbereitung des zu transportierenden Artikels ist eine Beratung durch einen Experten für Gefahrgut erforderlich. Bitte beachten Sie möglicherweise ausführlichere nationale Vorschriften. Überkleben oder verdecken Sie offene Kontakte, und verpacken Sie den Akku so, dass er sich in der Verpackung nicht umher bewegen kann.
11. **Entfernen Sie den Akku zum Entsorgen vom Werkzeug, und entsorgen Sie ihn an einem sicheren Ort. Befolgen Sie die örtlichen Vorschriften bezüglich der Entsorgung von Akkus.**

12. **Verwenden Sie die Akkus nur mit den von Makita angegebenen Produkten.** Das Einsetzen der Akkus in nicht konforme Produkte kann zu einem Brand, übermäßiger Hitzebildung, einer Explosion oder Auslaufen von Elektrolyt führen.
13. **Soll das Werkzeug längere Zeit nicht benutzt werden, muss der Akku vom Werkzeug entfernt werden.**
14. **Bei und nach dem Gebrauch kann der Akku heiß werden, was Verbrennungen oder Niedertemperaturverbrennungen verursachen kann.** Beachten Sie die Handhabung von heißen Akkus.
15. **Berühren Sie nicht den Anschlusskontakt des Werkzeugs unmittelbar nach dem Gebrauch, da er heiß genug werden kann, um Verbrennungen zu verursachen.**
16. **Achten Sie darauf, dass sich keine Späne, Staub oder Schmutz in den Anschlusskontakten, Löchern und Nuten des Akkus absetzen.** Es könnte sonst zu Erhitzung, Brandauslösung, Bersten und Funktionsstörungen des Werkzeugs oder des Akkus kommen, was zu Verbrennungen oder Personenschäden führen kann.
17. **Wenn das Werkzeug den Einsatz in der Nähe einer Hochspannungs-Stromleitung nicht unterstützt, benutzen Sie den Akku nicht in der Nähe einer Hochspannungs-Stromleitung.** Dies kann zu einer Funktionsstörung oder Betriebsstörung des Werkzeugs oder des Akkus führen.
18. **Halten Sie die Batterie von Kindern fern.**

DIESE ANWEISUNGEN AUFBEWAHREN.

⚠ VORSICHT: Verwenden Sie nur Original-Makita-Akkus. Die Verwendung von Nicht-Original-Makita-Akkus oder von Akkus, die abgeändert worden sind, kann zum Bersten des Akkus und daraus resultierenden Bränden, Personenschäden und Beschädigung führen. Außerdem wird dadurch die Makita-Garantie für das Makita-Werkzeug und -Ladegerät ungültig.

Hinweise zur Aufrechterhaltung der maximalen Akku-Nutzungsdauer

1. **Laden Sie den Akku, bevor er vollkommen erschöpft ist. Schalten Sie das Werkzeug stets aus, und laden Sie den Akku, wenn Sie ein Nachlassen der Werkzeugleistung feststellen.**
2. **Unterlassen Sie erneutes Laden eines voll aufgeladenen Akkus. Überladen führt zu einer Verkürzung der Nutzungsdauer des Akkus.**
3. **Laden Sie den Akku bei Raumtemperatur zwischen 10 – 40 °C. Lassen Sie einen heißen Akku abkühlen, bevor Sie ihn laden.**
4. **Wenn Sie den Akku nicht benutzen, nehmen Sie ihn vom Werkzeug oder Ladegerät ab.**
5. **Der Akku muss geladen werden, wenn er lange Zeit (länger als sechs Monate) nicht benutzt wird.**

FUNKTIONSBESCHREIBUNG

⚠ VORSICHT: Vergewissern Sie sich vor der Durchführung von Einstellungen oder Funktionsprüfungen des Werkzeugs stets, dass das Werkzeug ausgeschaltet und der Akku abgenommen ist.

Anbringen und Abnehmen des Akkus

⚠ VORSICHT: Schalten Sie das Werkzeug stets aus, bevor Sie den Akku anbringen oder abnehmen.

⚠ VORSICHT: Halten Sie das Werkzeug und den Akku beim Anbringen oder Abnehmen des Akkus sicher fest. Wenn Sie das Werkzeug und den Akku nicht sicher festhalten, können sie Ihnen aus der Hand rutschen, was zu einer Beschädigung des Werkzeugs und des Akkus und zu Körperverletzungen führen kann.

► **Abb.1:** 1. Rote Anzeige 2. Knopf 3. Akku

Ziehen Sie den Akku zum Abnehmen vom Werkzeug ab, während Sie den Knopf an der Vorderseite des Akkus verschieben.

Richten Sie zum Anbringen des Akkus dessen Führungsfeder auf die Nut im Gehäuse aus, und schieben Sie den Akku hinein. Schieben Sie ihn vollständig ein, bis er mit einem leisen Klicken einrastet. Wenn Sie die rote Anzeige sehen können, wie in der Abbildung gezeigt, ist der Akku nicht vollständig verriegelt.

⚠ VORSICHT: Schieben Sie den Akku stets bis zum Anschlag ein, bis die rote Anzeige nicht mehr sichtbar ist. Anderenfalls kann er aus dem Werkzeug herausfallen und Sie oder umstehende Personen verletzen.

⚠ VORSICHT: Unterlassen Sie Gewaltanwendung beim Anbringen des Akkus. Falls der Akku nicht reibungslos hineingleitet, ist er nicht richtig ausgerichtet.

Anzeigen der Akku-Restkapazität

Drücken Sie die Prüftaste am Akku, um die Akku-Restkapazität anzuzeigen. Die Anzeigelampen leuchten wenige Sekunden lang auf.

► **Abb.2:** 1. Anzeigelampen 2. Prüftaste

Anzeigelampen			Restkapazität
Erleuchtet	Aus	Blinkend	
■	□	◐	75% bis 100%
■	■	□	50% bis 75%
■	■	□	25% bis 50%
■	□	□	0% bis 25%
◐	□	□	Den Akku aufladen.
■	■	□	Möglicherweise liegt eine Funktionsstörung im Akku vor.
□	□	■	

HINWEIS: Abhängig von den Benutzungsbedingungen und der Umgebungstemperatur kann die Anzeige geringfügig von der tatsächlichen Kapazität abweichen.

HINWEIS: Die erste (äußerste linke) Anzeigelampe blinkt, wenn das Akku-Schutzsystem aktiv ist.

Werkzeug/Akku-Schutzsystem

Das Werkzeug ist mit einem Werkzeug/Akku-Schutzsystem ausgestattet. Dieses System schaltet die Stromversorgung des Motors automatisch ab, um die Lebensdauer von Werkzeug und Akku zu verlängern. Das Werkzeug bleibt während des Betriebs automatisch stehen, wenn das Werkzeug einer der folgenden Bedingungen unterliegt:

► **Abb.3:** 1. Warnlampe

Warnlampe			Status
Farbe	Ein	Blinkend	
Grün	●	◐	Überlastung
Rot	● (Werkzeug) / ● (Akku)	◐	Überhitzung
Rot		◐	Tiefentladung

ANMERKUNG: Abhängig von den Benutzungsbedingungen bleibt das Werkzeug ohne jegliche Anzeige automatisch stehen, falls Zweige oder Fremdkörper sich in dem Werkzeug verheddern. Schalten Sie in diesem Fall das Werkzeug aus, nehmen Sie den Akku ab, und beseitigen Sie dann verhedderte Zweige oder Fremdkörper mithilfe von Werkzeugen, wie z. B. einer Zange. Nachdem Sie die Zweige oder Fremdkörper beseitigt haben, installieren Sie den Akku, und schalten Sie das Werkzeug wieder ein.

Überlastschutz

Falls das Werkzeug oder der Akku durch verhedderte Zweige oder sonstige Fremdkörper überlastet wird, bleibt das Werkzeug automatisch stehen, und die Warnlampe beginnt in Grün zu blinken.

Schalten Sie in dieser Situation das Werkzeug aus, und brechen Sie die Arbeit ab, die eine Überlastung des Werkzeugs verursacht hat. Schalten Sie dann das Werkzeug wieder ein, um es neu zu starten.

Überhitzungsschutz für Werkzeug oder Akku

Wenn das Werkzeug oder der Akku überhitzt wird, bleibt das Werkzeug automatisch stehen. Wenn das Werkzeug überhitzt wird, leuchtet die Warnlampe in Rot auf. Wenn der Akku überhitzt wird, blinkt die Warnlampe in Rot. Lassen Sie das Werkzeug und/oder den Akku abkühlen, bevor Sie das Werkzeug wieder einschalten.

Überentladungsschutz

Wenn die Akkukapazität niedrig wird, bleibt das Werkzeug automatisch stehen, und die Warnlampe beginnt in Rot zu blinken.

Falls das Werkzeug trotz Betätigung der Schalter nicht funktioniert, nehmen Sie den Akku vom Werkzeug ab, und laden Sie ihn auf.

Schutz gegen andere Ursachen

Das Schutzsystem ist auch für andere Ursachen ausgelegt, die eine Beschädigung des Werkzeugs bewirken könnten, und ermöglicht automatisches Anhalten des Werkzeugs. Führen Sie alle folgenden Schritte aus, um die Ursachen zu beseitigen, wenn das Werkzeug zu einem vorübergehenden Stillstand oder Betriebsstopp gekommen ist.

1. Schalten Sie das Werkzeug aus und wieder ein, um es neu zu starten.
2. Laden Sie den/die Akku(s) auf, oder tauschen Sie ihn/sie gegen einen aufgeladenen Akku/aufgeladene Akkus aus.
3. Lassen Sie die Maschine und den/die Akku(s) abkühlen.

Falls die Wiederherstellung des Schutzsystems keine Besserung bringt, wenden Sie sich an Ihre lokale Makita-Kundendienststelle.

Funktion der Hauptbetriebstaste

⚠️ WARNUNG: Aus Sicherheitsgründen ist dieses Werkzeug mit einem Hebel ausgestattet, der versehentliches Einschalten des Werkzeugs verhindert. Benutzen Sie das Werkzeug NIEMALS, wenn es durch einfache Betätigung des Auslöseschalters eingeschaltet werden kann, ohne den Hebel zu drücken. Lassen Sie das Werkzeug von einem unserer autorisierten Service-Center ordnungsgemäß reparieren, BEVOR Sie es weiter benutzen.

⚠️ WARNUNG: Der Hebel darf NIEMALS festgeklebt oder funktionsunfähig gemacht werden.

⚠️ WARNUNG: Vergewissern Sie sich vor dem Anbringen des Akkus am Werkzeug stets, dass der Auslöseschalter und der Hebel ordnungsgemäß funktionieren und beim Loslassen in die AUS-Stellung „OFF“ zurückkehren. Der Betrieb eines Werkzeugs mit fehlerhaftem Schalter kann zum Verlust der Kontrolle und zu schweren Personenschäden führen.

⚠️ VORSICHT: Legen Sie beim Tragen niemals Ihren Finger auf die Auslöseschalter. Anderenfalls kann das Werkzeug unbeabsichtigt anlaufen und Verletzungen verursachen.

ANMERKUNG: Betätigen Sie den Auslöseschalter nicht gewaltsam, ohne den Hebel zu drücken. Dies kann zu einer Beschädigung des Schalters führen.

Drücken Sie die Hauptbetriebstaste, um das Werkzeug einzuschalten. Um das Werkzeug auszuschalten, halten Sie die Hauptbetriebstaste gedrückt, bis die Drehzahlanzeigen erlöschen.

► **Abb.4:** 1. Hauptbetriebstaste

HINWEIS: Die Warnlampe blinkt, wenn der Auslöseschalter unter betriebsunfähigen Bedingungen betätigt wird. Die Warnlampe blinkt, wenn Sie den Hauptbetriebsschalter einschalten, während Sie den Hebel und den Auslöseschalter gedrückt halten.

HINWEIS: Dieses Werkzeug verwendet die Abschaltautomatik. Um unbeabsichtigtes Anlaufen zu vermeiden, wird der Hauptbetriebsschalter automatisch abgeschaltet, wenn der Auslöseschalter eine bestimmte Zeitlang nach dem Einschalten des Hauptbetriebsschalters nicht betätigt wird.



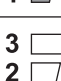

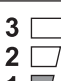



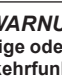
Um versehentliche Betätigung des Auslöseschalters zu verhindern, ist das Werkzeug mit dem Hebel ausgestattet. Um das Werkzeug zu starten, betätigen Sie zuerst den vorderen Auslöseschalter und dann den hinteren Auslöseschalter, während Sie den Hebel drücken. Wenn Sie einen der Auslöseschalter loslassen, bleibt das Werkzeug stehen.

► **Abb.5:** 1. Hebel 2. Hinterer Auslöseschalter
3. Vorderer Auslöseschalter

Drehzahleinstellung

Sie können die Werkzeugdrehzahl durch Drücken der Hauptbetriebstaste einstellen. Mit jedem Drücken der Hauptbetriebstaste ändert sich die Drehzahlstufe.

► **Abb.6:** 1. Drehzahlanzeige 2. Hauptbetriebstaste

Drehzahlanzeige	Betriebsart	Hubzahl
3  2  1 	Hoch	5.000 min ⁻¹
3  2  1 	Mittel	3.600 min ⁻¹
3  2  1 	Niedrig	2.000 min ⁻¹

Drehrichtungs-Umkehrtaste für Fremdkörperbeseitigung

⚠️ WARNUNG: Falls die verhedderten Zweige oder Fremdkörper nicht durch die Umkehrfunktion beseitigt werden können, schalten Sie das Werkzeug aus, nehmen Sie den Akku ab, und beseitigen Sie dann verhedderte Zweige oder Fremdkörper mithilfe von Werkzeugen, wie z. B. einer Zange. Werden Ausschalten des Werkzeugs und Abnehmen des Akkus unterlassen, kann es zu schweren Personenschäden durch versehentliches Anlaufen kommen. Beseitigen der verhedderten Zweige oder Fremdkörper von Hand kann zu einer Verletzung führen, da sich die Schermesser als Reaktion auf die Beseitigung bewegen können.

Dieses Werkzeug besitzt eine Umkehrtaste, mit der die Bewegungsrichtung der Schermesser gewechselt werden kann. Sie ist nur dazu vorgesehen, im Werkzeug verfangene Zweige und Fremdkörper zu beseitigen. Um die Bewegung der Schermesser umzukehren, drücken Sie die Umkehrtaste, wenn die Schermesser still stehen. Betätigen Sie dann den vorderen Auslöseschalter und anschließend den hinteren Auslöseschalter, während Sie den Hebel drücken. Die Geschwindigkeitsanzeigen beginnen zu blinken, und die Schermesser bewegen sich in Rückwärtsrichtung. Nachdem verhedderte Zweige und Fremdkörper beseitigt worden sind, schaltet das Werkzeug auf die reguläre Bewegung zurück, worauf die Geschwindigkeitsanzeigen zu blinken aufhören und aufleuchten.

- **Abb.7:** 1. Drehzahlanzeige
2. Drehrichtungs-Umkehrtaste

HINWEIS: Falls verhedderte Zweige oder Unrat nicht entfernt werden können, lassen Sie die Auslöseschalter los, drücken Sie die Umkehrtaste, und betätigen Sie dann die Auslöseschalter, bis sie entfernt sind.

HINWEIS: Wenn Sie die Umkehrtaste antippen, während sich die Schermesser noch bewegen, kommt das Werkzeug zum Stillstand und ist dann für Rückwärtsbewegung bereit.

Elektronikfunktion

Das Werkzeug ist für komfortablen Betrieb mit Elektronikfunktionen ausgestattet.

- **Konstantdrehzahlregelung**
Die Drehzahlregelung liefert eine konstante Drehzahl ungeachtet der Lastbedingungen.
- **Elektrische Bremse**
Dieses Werkzeug ist mit einer elektrischen Bremse ausgestattet. Falls das Werkzeug ständig versagt, die Schermesser nach dem Loslassen des Auslöseschalters schnell anzuhalten, lassen Sie das Werkzeug von einem autorisierten Makita-Servicecenter warten.
- **Funktion zur Verhütung eines versehentlichen Wiederanlaufs**
Das Werkzeug startet nicht, selbst wenn Sie den Akku bei betätigtem Auslöseschalter einsetzen. Zum Starten des Werkzeugs lassen Sie den Auslöseschalter zunächst los, bevor Sie ihn betätigen.

MONTAGE

⚠ VORSICHT: Vergewissern Sie sich vor der Ausführung von Arbeiten am Werkzeug stets, dass das Werkzeug ausgeschaltet und der Akku abgenommen ist.

⚠ VORSICHT: Tragen Sie beim Austauschen der Schermesser immer Handschuhe, damit Ihre Hände nicht in direkten Kontakt mit den Messern kommen.

ANMERKUNG: Wischen Sie beim Auswechseln der Schermesser kein Schmierfett von Zahnrad und Kurbel ab.

Montieren oder Demontieren der Schermesser

⚠ VORSICHT: Bringen Sie die Messerabdeckung an, bevor Sie die Schermesser demontieren oder montieren.

Sie können Schermesser von 600 mm oder 750 mm an Ihrem Werkzeug montieren.

HINWEIS: Wenn Sie Schermesser einer anderen Länge benutzen wollen, ersetzen Sie den Spänefänger durch einen für die Messer passenden.

1. Entfernen Sie vier Schrauben (für UH013G) bzw. fünf Schrauben (für UH014G), und nehmen Sie dann den Spänefänger vom Werkzeug ab.

Für UH013G

- **Abb.8:** 1. Spänefänger 2. Schraube

Für UH014G

- **Abb.9:** 1. Spänefänger 2. Schraube

2. Legen Sie das Werkzeug umgedreht ab, und entfernen Sie dann sechs Schrauben.

- **Abb.10:** 1. Schraube

3. Entfernen Sie die Abdeckung und die Platte.

- **Abb.11:** 1. Abdeckung 2. Platte

HINWEIS: Die Platte kann auf der Abdeckung verbleiben.

4. Entfernen Sie die Pleuelstange und das Lager.

- **Abb.12:** 1. Pleuelstange 2. Lager

HINWEIS: Die Pleuelstange oder das Lager kann an der Abdeckung verbleiben.

5. Entfernen Sie drei Schrauben, drei Hülsen und das Filzkissen, und nehmen Sie dann die Schermesser ab.

- **Abb.13:** 1. Schraube 2. Hülse 3. Filzkissen
4. Schermesser

ANMERKUNG: Achten Sie darauf, dass die Schrauben nicht verloren gehen.

6. Entfernen Sie die Messerabdeckung, und befestigen Sie sie dann an den neuen Schermessern.

- **Abb.14**

7. Stellen Sie die Kurbel so ein, dass zwei Löcher auf der Ausrichtlinie fluchten.

- **Abb.15:** 1. Loch 2. Ausrichtlinie

8. Richten Sie die Zapfen an den Schermessern an derselben Position senkrecht aus.

- **Abb.16:** 1. Zapfen

9. Führen Sie die in Schritt 5 entfernte Schraube in die Löcher der Messerabdeckung und der Schermesser ein, um die Schermesser provisorisch zu fixieren, und bringen Sie dann das Filzkissen an den Schermessern an.

- **Abb.17:** 1. Schraube 2. Filzkissen 3. Loch

10. Führen Sie den Zapfen an den Schermessern in das Pleuelauge ein, und richten Sie dann die Position des Filzkissens auf die Löcher am Werkzeug aus. Bringen Sie zwei neue Hülsen an.
► **Abb.18:** 1. Filzkissen 2. Zapfen 3. Loch 4. Hülse

ANMERKUNG: Tragen Sie ein wenig Schmierfett auf den Innenrand des Pleuelauges auf.

ANMERKUNG: Achten Sie darauf, dass die Hülsen nicht verloren gehen.

11. Richten Sie die Löcher an den Hülsen und Schermessern auf die Löcher am Werkzeug aus, und ziehen Sie dann zwei Schrauben an, um die Schermesser provisorisch zu fixieren.
► **Abb.19:** 1. Schraube
12. Entfernen Sie die Schraube, die Sie in Schritt 9 in das Loch der Schermesser eingeführt haben, und verschieben Sie dann die Messerabdeckung.
► **Abb.20:** 1. Schraube
13. Bringen Sie eine neue Hülse an.
► **Abb.21:** 1. Hülse
14. Ziehen Sie die Schraube zusammen mit der Hülse an, um die Schermesser zu fixieren.
► **Abb.22:** 1. Schraube
15. Ziehen Sie die in Schritt 11 provisorisch fixierten Schrauben fest.
16. Bringen Sie das Lager und die Pleuelstange an.
► **Abb.23:** 1. Pleuelstange 2. Kleines Auge 3. Lager

ANMERKUNG: Tragen Sie ein wenig Schmierfett auf den Innenrand der kleinen Pleuelstange auf.

ANMERKUNG: Vergewissern Sie sich, dass der Zapfen an den Schermessern einwandfrei in der kleinen Pleuelstange sitzt.

17. Bringen Sie die Platte an.
► **Abb.24:** 1. Zapfen 2. Platte

ANMERKUNG: Vergewissern Sie sich, dass der Zapfen an den Schermessern einwandfrei im Langloch der Platte sitzt.

18. Bringen Sie die Abdeckung an, und ziehen Sie dann sechs Schrauben fest.
► **Abb.25:** 1. Schraube 2. Abdeckung
19. Befestigen Sie den Spänefänger am Werkzeug, indem Sie vier Schrauben (für UH013G) bzw. fünf Schrauben (für UH014G) anziehen.

Für UH013G

- **Abb.26:** 1. Spänefänger 2. Schraube

Für UH014G

- **Abb.27:** 1. Spänefänger 2. Schraube

ANMERKUNG: Falls die Schermesser sich nicht reibungslos bewegen, stehen die Schermesser nicht richtig mit den Pleuelstangen in Eingriff. Montieren Sie die Schermesser erneut.

ANMERKUNG: Falls andere Teile außer den Schermessern, wie z. B. die Pleuelstangen, verschlissen sind, wenden Sie sich für einen Teileaustausch oder Reparaturen an ein autorisiertes Makita-Servicecenter.

Abnehmen und Anbringen des Spänefängers

⚠ VORSICHT: Tragen Sie beim Montieren oder Demontieren des Spänefängers immer Handschuhe, damit Ihre Hände nicht in direkten Kontakt mit den Schermessern kommen.

Der Spänefänger sammelt ausgeworfene Blätter auf und erleichtert die Reinigung nach der Arbeit erheblich. Um den Spänefänger abzunehmen, entfernen Sie vier Schrauben (für UH013G) bzw. fünf Schrauben (für UH014G), und nehmen Sie dann den Spänefänger vom Werkzeug ab. Wenden Sie zur Montage des Spänefängers das Demontageverfahren umgekehrt an.

Für UH013G

- **Abb.28:** 1. Spänefänger 2. Schraube

Für UH014G

- **Abb.29:** 1. Spänefänger 2. Schraube

BETRIEB

⚠ WARNUNG: Halten Sie Ihre Hände von den Schermessern fern.

⚠ VORSICHT: Vermeiden Sie den Betrieb des Werkzeugs bei sehr heißem Wetter so weit wie praktikabel. Nehmen Sie beim Betreiben des Werkzeugs Rücksicht auf Ihre körperliche Verfassung.

⚠ VORSICHT: Lassen Sie beim Trimmen Vorsicht walten, damit die Messer nicht versehentlich einen Metallzaun oder andere harte Gegenstände berühren. Anderenfalls können die Schermesser brechen und eine Verletzung verursachen.

⚠ VORSICHT: Achten Sie darauf, dass die Schermesser nicht den Boden berühren. Anderenfalls kann das Werkzeug zurückschnellen und eine Verletzung verursachen.

⚠ VORSICHT: Strecken Sie sich beim Schneiden mit einer Heckenschere, besonders auf einer Leiter, nicht zu weit nach vorn, da dies äußerst gefährlich ist. Schneiden Sie nicht, während Sie auf einer wackligen oder instabilen Unterlage stehen.

ANMERKUNG: Versuchen Sie nicht, Äste von mehr als 10 mm Durchmesser mit dem Werkzeug zu schneiden. Schneiden Sie Äste vor Gebrauch dieses Werkzeugs mit Astschneidern auf 10 cm unter der Schnitthöhe.

- **Abb.30:** (1) Schnitthöhe (2) 10 cm

ANMERKUNG: Schneiden Sie keine toten Bäume oder ähnliche harte Objekte um. Dadurch kann das Werkzeug beschädigt werden.

ANMERKUNG: Schneiden Sie kein Gras oder Unkraut, während Sie die Schermesser benutzen. Gras oder Unkraut können sich in den Schermessern verheddern.

Halten Sie den vorderen Handgriff mit Ihrer rechten Hand, und den hinteren Handgriff mit Ihrer linken Hand fest. Betätigen Sie zuerst den vorderen Auslöseschalter, dann den hinteren Auslöseschalter, während Sie den Hebel drücken, und bewegen Sie dann das Werkzeug vorwärts.

► **Abb.31**

Bei grundlegendem Betrieb neigen Sie die Schermesser in die Schneidrichtung, und bewegen Sie das Werkzeug ruhig und langsam mit einer Vorschubrate von 3 bis 4 Sekunden pro Meter vor.

► **Abb.32**

Um die Oberseite einer Hecke gerade zu schneiden, binden Sie eine Schnur in der gewünschten Höhe fest, und schneiden Sie daran entlang.

► **Abb.33**

Der Spänefänger sammelt ausgeworfene Blätter auf und erleichtert die Reinigung nach der Arbeit erheblich.

► **Abb.34**

Um eine gerade Seitenkante einer Hecke zu erhalten, schneiden Sie von unten nach oben.

► **Abb.35**

Wenn Sie eine runde Form schneiden wollen (Trimmen von Buchsbaum oder Rhododendron usw.), trimmen Sie von der Wurzel nach oben, um eine schöne Ausführung zu erhalten.

► **Abb.36**

WARTUNG

⚠ VORSICHT: Vergewissern Sie sich vor der Durchführung von Inspektions- oder Wartungsarbeiten stets, dass das Werkzeug ausgeschaltet und der Akku abgenommen ist.

Um die SICHERHEIT und ZUVERLÄSSIGKEIT dieses Produkts zu gewährleisten, sollten Reparaturen und andere Wartungs- oder Einstellarbeiten nur von Makita-Vertragswerkstätten oder Makita-Kundendienstzentren unter ausschließlicher Verwendung von Makita-Originalersatzteilen ausgeführt werden.

Reinigen des Werkzeugs

Reinigen Sie das Werkzeug, indem Sie es mit einem trockenen oder einem in Seifenwasser getauchten und ausgewringenen Tuch abwischen.

ANMERKUNG: Verwenden Sie auf keinen Fall Benzin, Waschbenzin, Verdüner, Alkohol oder dergleichen. Solche Mittel können Verfärbung, Verformung oder Rissbildung verursachen.

Schermesserwartung

Tragen Sie vor dem Betrieb oder einmal pro Stunde während der Arbeit Öl von niedriger Viskosität (Maschinenöl oder Sprüh schmieröl) auf die Schermesser auf.

► **Abb.37**

Entfernen Sie Staub nach dem Betrieb mit einer Drahtbürste von den Schermessern, wischen Sie die Schermesser mit einem Tuch ab, und tragen Sie dann Öl von niedriger Viskosität (Maschinenöl oder Sprüh schmieröl) auf die Schermesser auf.

► **Abb.38**

ANMERKUNG: Waschen Sie die Schermesser nicht in Wasser. Dadurch kann Rostbildung gefördert oder eine Beschädigung des Werkzeugs verursacht werden.

ANMERKUNG: Schmutz und Korrosion verursachen übermäßige Messerreibung und verkürzen die Betriebszeit pro Akkuladung.

Lagerung

Das Aufhängerloch im Unterteil des Werkzeugs ist praktisch, um das Werkzeug an einen Nagel oder eine Schraube an der Wand zu hängen.

Nehmen Sie den Akku vom Werkzeug ab, und bringen Sie dann die Messerabdeckung an den Schermessern an, damit die Messer nicht ungeschützt sind. Lagern Sie das Werkzeug außer Reichweite von Kindern. Lagern Sie das Werkzeug an einem Ort, der weder Feuchtigkeit noch Regen ausgesetzt ist.

► **Abb.39:** 1. Loch

Schleifen der Schermesser

ANMERKUNG: Falls die Schermesser durch Schleifen beträchtlich verformt sind, ersetzen Sie die Schermesser durch neue.

1. Bringen Sie den Akku am Werkzeug an.
2. Schalten Sie das Werkzeug ein, und starten Sie es, so dass jeweils ein Obermesser und ein Untermesser abwechselnd positioniert sind.
► **Abb.40**
3. Schalten Sie das Werkzeug aus, und nehmen Sie den Akku vom Werkzeug ab.
4. Setzen Sie eine Feile in einem Winkel von 45° an, und schleifen Sie das Obermesser aus 3 Richtungen mit der Feile.
► **Abb.41:** (1) Feile (2) 45°

⚠ VORSICHT: Bevor Sie die Schermesser schleifen, vergewissern Sie sich, dass das Werkzeug ausgeschaltet und der Akku vom Werkzeug abgenommen ist.

5. Legen Sie das Werkzeug umgedreht ab, und entfernen Sie dann die Grate mit dem Abziehstein von den Schermessern.
► **Abb.42:** 1. Abziehstein
6. Setzen Sie die Feile in einem Winkel von 45° an, und schleifen Sie das Untermesser aus 3 Richtungen mit der Feile.
7. Bringen Sie das Werkzeug wieder in die Normalposition, und entfernen Sie dann die Grate mit dem Abziehstein von den Schermessern.

Fettschmierung

Schmierintervall: Alle 50 Betriebsstunden

1. Entfernen Sie die Schraube zum Schmieren aus der Bohrung.

► **Abb.43:** 1. Schraube

2. Entfernen Sie die Kappe von der Fetttube. Richten Sie den Auslass der Fetttube auf die Öffnung in der Abdeckung aus, und drücken Sie dann den Auslass der Fetttube auf die Öffnung.

► **Abb.44:** 1. Fetttube 2. Loch

3. Füllen Sie das Fett in das Werkzeug ein (ca. 5 g als Richtlinie).

4. Ziehen Sie die Schraube an.

FEHLERSUCHE

Bevor Sie den Reparaturdienst anrufen, führen Sie zunächst Ihre eigene Inspektion durch. Falls Sie ein Problem finden, das nicht in der Anleitung erläutert wird, versuchen Sie nicht, das Werkzeug zu zerlegen. Wenden Sie sich stattdessen an autorisierte Makita-Kundendienstzentren, und achten Sie darauf, dass stets Makita-Ersatzteile für Reparaturen verwendet werden.

Zustand der Unregelmäßigkeit	Wahrscheinliche Ursache (Funktionsstörung)	Abhilfemaßnahme
Der Motor läuft nicht.	Der Akku ist nicht eingesetzt.	Den Akku einsetzen.
	Akkustörung (Unterspannung)	Den Akku aufladen. Falls Laden nichts nützt, den Akku austauschen.
	Das Antriebssystem funktioniert nicht korrekt.	Wenden Sie sich bezüglich einer Reparatur an Ihr autorisiertes Kundendienstzentrum.
Der Motor bleibt nach kurzer Zeit stehen.	Der Ladestand des Akkus ist niedrig.	Den Akku aufladen. Falls Laden nichts nützt, den Akku austauschen.
	Überhitzung.	Brechen Sie die Benutzung des Werkzeugs ab, um es abkühlen zu lassen.
Das Werkzeug erreicht die Maximaldrehzahl nicht.	Der Akku ist falsch eingesetzt.	Setzen Sie den Akku gemäß der Beschreibung in dieser Anleitung ein.
	Die Akkuleistung lässt nach.	Den Akku aufladen. Falls Laden nichts nützt, den Akku austauschen.
	Das Antriebssystem funktioniert nicht korrekt.	Wenden Sie sich bezüglich einer Reparatur an Ihr autorisiertes Kundendienstzentrum.
Die Schermesser bewegen sich nicht. ⇒ Die Maschine unverzüglich stoppen!	Fremdkörper sind zwischen den Schermessern eingeklemmt.	1. Benutzen Sie die Umkehrtaste. 2. Schalten Sie das Werkzeug aus, nehmen Sie den Akku ab, und beseitigen Sie dann die Fremdkörper mithilfe von Werkzeugen, wie z. B. einer Zange.
	Das Antriebssystem funktioniert nicht korrekt.	Wenden Sie sich bezüglich einer Reparatur an Ihr autorisiertes Kundendienstzentrum.
Ungewöhnliche Vibration: ⇒ Die Maschine unverzüglich stoppen!	Die Schermesser sind beschädigt, verbogen oder abgenutzt.	Tauschen Sie die Schermesser aus.
	Das Antriebssystem funktioniert nicht korrekt.	Wenden Sie sich bezüglich einer Reparatur an Ihr autorisiertes Kundendienstzentrum.
Schermesser und Motor bleiben nicht stehen: ⇒ Den Akku unverzüglich entfernen!	Elektrische Funktionsstörung.	Entfernen Sie den Akku, und wenden Sie sich bezüglich einer Reparatur an Ihr autorisiertes Kundendienstzentrum.

SONDERZUBEHÖR

⚠ VORSICHT: Die folgenden Zubehörteile oder Vorrichtungen werden für den Einsatz mit dem in dieser Anleitung beschriebenen Makita-Werkzeug empfohlen. Die Verwendung anderer Zubehörteile oder Vorrichtungen kann eine Verletzungsgefahr darstellen. Verwenden Sie Zubehörteile oder Vorrichtungen nur für ihren vorgesehenen Zweck.

Wenn Sie weitere Einzelheiten bezüglich dieser Zubehörteile benötigen, wenden Sie sich bitte an Ihre Makita-Kundendienststelle.

- Schermessereinheit
- Spänefänger
- Fetttube
- Original-Makita-Akku und -Ladegerät

HINWEIS: Manche Teile in der Liste können als Standardzubehör im Werkzeugsatz enthalten sein. Sie können von Land zu Land unterschiedlich sein.

Makita Europe N.V. Jan-Baptist Vinkstraat 2,
3070 Kortenberg, Belgium

Makita Corporation 3-11-8, Sumiyoshi-cho,
Anjo, Aichi 446-8502 Japan

www.makita.com

885918-977 EN, PL, HU, SK, CS, UK, RO, DE 20210817
