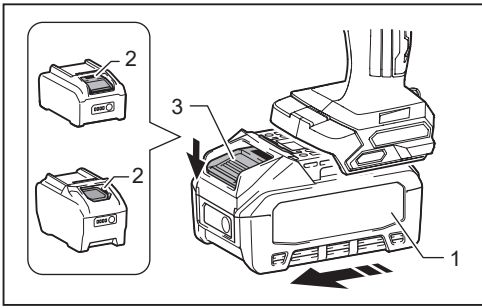
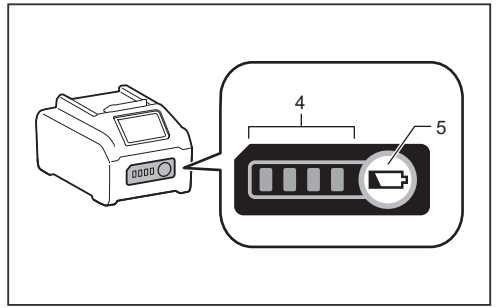


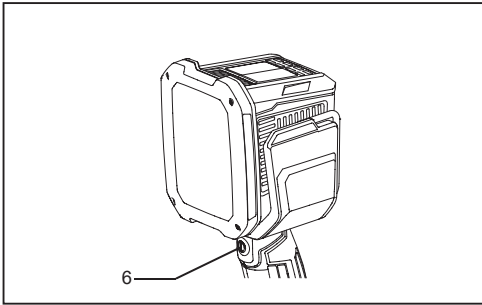
EN	Cordless Flashlight	INSTRUCTION MANUAL
FR	Lampe Torche à Batterie	MANUEL D'INSTRUCTION
DE	Akku-Arbeitsleuchte LED	BETRIEBSANLEITUNG
IT	Torcia a batteria	ISTRUZIONI PER L'USO
NL	Draadloze zaklamp	GEBRUIKSAANWIJZING
ES	Linterna Inalámbrica	MANUAL DE INSTRUCCIONES
PT	Lanterna LED a Bateria	MANUAL DE INSTRUÇÕES
DA	Trådløs lommelygte	BRUGSANVISNING
EL	Επαναφορτιζόμενο φακό	ΕΓΧΕΙΡΙΔΙΟ ΟΔΗΓΙΩΝ
TR	Akülü el feneri	KULLANMA KILAVUZU
SV	Trådlös ficklampa	BRUKSANVISNING
NO	Trådløs lommelykt	BRUKSANVISNING
FI	Johdoton taskulamppu	KÄYTTÖOHJE
LV	Bezvada lukturītis	LIETOŠANAS INSTRUKCIJA
LT	Belaidis žibintuvėlis	NAUDOJIMO INSTRUKCIJA
ET	Juhtmeta taskulamp	KASUTUSJUHEND
PL	Latarka Akumulatorowa	INSTRUKCJA OBSŁUGI
HU	Akkus zseblámpa	HASZNÁLATI KÉZIKÖNYV
SK	Akumulátorové svietidlo	NÁVOD NA OBSLUHU
CS	Akumulátorová svítilna	NÁVOD K OBSLUZE
SL	Brezžična svetilka	NAVODILA ZA UPORABO
SQ	Dritë elektrik pa tel	MANUALI I PËRDORIMIT
BG	Безжичен фенер	РЪКОВОДСТВО ЗА ЕКСПЛОАТАЦИЯ
HR	Akumulatorska svjetiljka	PRIRUČNIK S UPUTAMA
MK	Безжичен фенерче	УПАТСТВО ЗА УПОТРЕБА
SR	Акумулаторска лампица	УПУТСТВО ЗА УПОТРЕБУ
RO	Lanterna fără fir	MANUAL DE INSTRUCȚIUNI
UK	Бездротовий ліхтарик	ІНСТРУКЦІЯ З ЕКСПЛУАТАЦІЇ
RU	Акумуляторный фонарь	РУКОВОДСТВО ПО ЭКСПЛУАТАЦИИ
KK	Акумуляторлық шамасы	ПАЙДАЛАНУ НҮСҚАУЛЫҒЫ
ZHTW	LED手電筒	使用說明書
AR	مصباح يدوي لاسلكي	دفترچه راهنمای دستورالعمل
FA	چراغ قوه بی سیم	دلیل الإرشادات



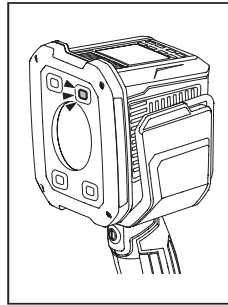
1



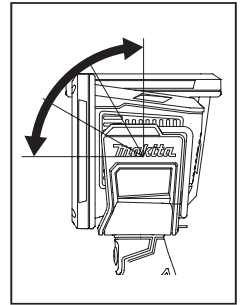
2



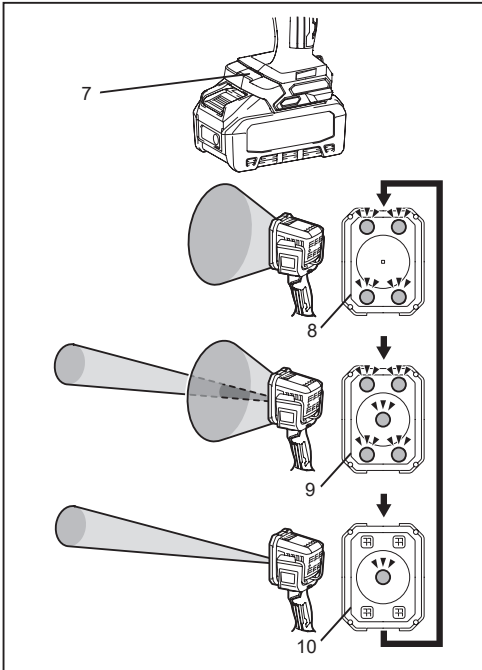
3



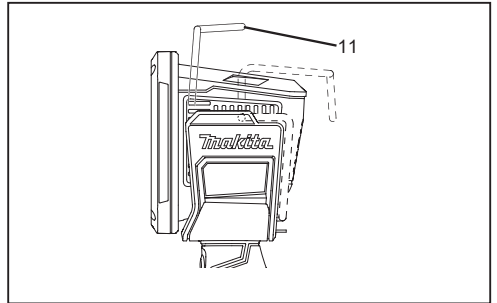
5



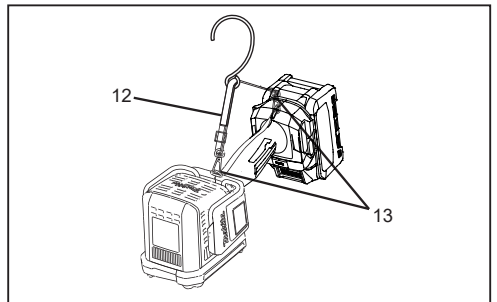
6



4



7



8

ENGLISH (Original instructions)

Explanation of general view

- | | | | |
|---------------------------|-----------------|----------------------|----------|
| 1. Battery cartridge | 5. Check button | 9. Spot + Flood mode | 13. Clip |
| 2. Red indicator | 6. Power button | 10. Spot mode | |
| 3. Battery release button | 7. MODE button | 11. Hook | |
| 4. Indicator lamps | 8. Flood mode | 12. Shoulder strap | |

SPECIFICATIONS

Model	ML007G
LED	Spot: 1 pc. / Flood: 16 pcs. (Strobe: 17 pcs.)
Dimensions (L × W × H)	323 mm × 120 mm × 118 mm
Rated voltage	D.C. 36 V - 40 V max
Net weight (without battery cartridge and shoulder strap)	0.95 kg

- Due to our continuing program of research and development, the specifications herein are subject to change without notice.
- Specifications may differ from country to country.
- The dimensions are with BL4025 and with the head facing forward.

Applicable battery cartridge and charger

Battery cartridge	BL4020 / BL4025 / BL4040 / BL4050F / BL4080F
Charger	DC40RA / DC40RB / DC40RC

- Some of the battery cartridges listed above may not be available depending on your region of residence.

⚠ WARNING: Only use the battery cartridges and chargers listed above. Use of any other battery cartridges and chargers may cause injury and/or fire.

Operating time

Battery cartridge	Operating time (Approximately)			
	Spot	Flood	Spot + Flood	Strobe
BL4020	5.0 hours	5.0 hours	3.5 hours	5.0 hours
BL4025	6.5 hours	6.5 hours	4.5 hours	6.5 hours
BL4040	10 hours	10 hours	7.5 hours	10 hours
BL4050F	13 hours	13 hours	9.5 hours	13 hours
BL4080F	22 hours	22 hours	16 hours	22 hours

- The operating times in the above table are a rough guideline. They may differ from actual operating times.
- Operating times may differ depending on battery type, charging status, and usage condition.
- Battery cartridge may differ from country to country.

Symbols

The following show the symbols used for the equipment. Be sure that you understand their meaning before use.



- Read instruction manual



- Indoor use only



• Only for EU countries
Due to the presence of hazardous components in the equipment, waste electrical and electronic equipment, accumulators and batteries may have a negative impact on the environment and human health.

Do not dispose of electrical and electronic appliances or batteries with household waste!
In accordance with the European Directive on waste electrical and electronic equipment and on accumulators and batteries and waste accumulators and batteries, as well as their adaptation to national law, waste electrical equipment, batteries and accumulators should be stored separately and delivered to a separate collection point for municipal waste, operating in accordance with the regulations on environmental protection.

This is indicated by the symbol of the crossed-out wheeled bin placed on the equipment.



- Optical Radiation (UV and IR).
Minimize exposure to eyes or skin.



- Do not stare at operating lamp.



- Use appropriate shielding or eyes protection.



- Take particular care and attention!

SAFETY WARNINGS

IMPORTANT SAFETY INSTRUCTIONS

⚠ WARNING: When using electric tools, basic safety precautions should always be followed to reduce the risk of fire, electric shock, and personal injury, including the following:

READ ALL INSTRUCTIONS.

1. Do not look into the light, or do not expose the light to eyes. Eyes may be damaged.
2. Do not cover the lamp with cloth or carton, etc. Otherwise it may cause a flame.
3. The appliance is not waterproof. Do not use it in damp or wet locations. Do not expose it to rain or snow. Do not wash it in water.
4. Do not touch the inside of the appliance with tweezers, metal tools, etc.
5. When the appliance is not in use, always switch off and remove the battery cartridge from the appliance.
6. Do not give the appliance a shock by dropping, striking, etc.
7. Safety information for portable luminaires with batteries.
 - Battery disposal should be in compliance with your local regulations that address the disposal of hazardous materials.
 - Do not incinerate the battery.
8. Additional information for luminaires.
 - The light source of this luminaire is not replaceable; when the light source reaches its end of life the whole luminaire shall be replaced.
9. Battery tool use and care.
 - **WARNING:** Read all safety warnings and instructions. Failure to follow the warnings and instructions may result in electric shock, fire and/or serious injury.
 - Prevent unintentional starting. Ensure the switch is in the off-position before connecting to battery pack, picking up or carrying the appliance. Carrying the appliance with your finger on the switch or energizing appliance that have the switch on invites accidents.
 - Disconnect the battery pack from the appliance before making any adjustments, changing accessories, or storing appliance. Such preventive safety measures reduce the risk of starting the appliance accidentally.
 - Recharge only with the charger specified by the manufacturer. A charger that is suitable for one type of battery pack may create a risk of fire when used with another battery pack.
 - Use appliances only with specifically designated battery packs. Use of any other battery packs may create a risk of injury and fire.
 - When battery pack is not in use, keep it away from other metal objects, like paper clips, coins, keys, nails, screws or other small metal objects, that can make a connection from one terminal to another. Shorting the battery terminals together may cause burns or a fire.

- Under abusive conditions, liquid may be ejected from the battery; avoid contact. If contact accidentally occurs, flush with water. If liquid contacts eyes, additionally seek medical help. Liquid ejected from the battery may cause irritation or burns.
- Do not use a battery pack or appliance that is damaged or modified. Damaged or modified batteries may exhibit unpredictable behavior resulting in fire, explosion or risk of injury.
- Do not expose a battery pack or appliance to fire or excessive temperature. Exposure to fire or temperature above 130 °C (265 °F) may cause explosion.
- Follow all charging instructions and do not charge the battery pack or appliance outside of the temperature range specified in the instructions. Charging improperly or at temperatures outside of the specified range may damage the battery and increase the risk of fire.
- Have servicing performed by a qualified repair person using only identical replacement parts. This will ensure that the safety of the product is maintained.
- Do not modify or attempt to repair the appliance or the battery pack except as indicated in the instructions for use and care.
- The contained lithium-ion batteries are subject to the Dangerous Goods Legislation requirements. For commercial transports e.g. by third parties, forwarding agents, special requirement on packaging and labeling must be observed. For preparation of the item being shipped, consulting an expert for hazardous material is required. Please also observe possibly more detailed national regulations. Tape or mask off open contacts and pack up the battery in such a manner that it cannot move around in the packaging.
- When disposing the battery cartridge, remove it from the appliance and dispose of it in a safe place. Follow your local regulations relating to disposal of battery.
- Use the batteries only with the products specified by Makita. Installing the batteries to non-compliant products may result in a fire, excessive heat, explosion, or leak of electrolyte.
- If the tool is not used for a long period of time, the battery must be removed from the tool.
- During and after use, the battery cartridge may take on heat which can cause burns or low temperature burns. Pay attention to the handling of hot battery cartridges.
- Do not touch the terminal of the tool immediately after use as it may get hot enough to cause burns.
- Do not allow chips, dust, or soil stuck into the terminals, holes, and grooves of the battery cartridge. It may result in poor performance or breakdown of the tool or battery cartridge.
- Unless the tool supports the use near high-voltage electrical power lines, do not use the battery cartridge near high-voltage electrical power lines. It may result in a malfunction or breakdown of the tool or battery cartridge.
- Keep the battery away from children.

Important safety instructions for battery cartridge

- Before using battery cartridge, read all instructions and cautionary markings on (1) battery charger, (2) battery, and (3) product using battery.
- Do not disassemble or tamper the battery cartridge. It may result in a fire, excessive heat, or explosion.
- If operating time has become excessively shorter, stop operating immediately. It may result in a risk of overheating, possible burns and even an explosion.
- If electrolyte gets into your eyes, rinse them out with clear water and seek medical attention right away. It may result in loss of your eyesight.
- Do not short the battery cartridge.
- (1) Do not touch the terminals with any conductive material.
- (2) Avoid storing battery cartridge in a container with other metal objects such as nails, coins, etc.
- (3) Do not expose battery cartridge to water or rain. A battery short can cause a large current flow, overheating, possible burns and even a breakdown.
- Do not store and use the tool and battery cartridge in locations where the temperature may reach or exceed 50 °C (122 °F).
- Do not incinerate the battery cartridge even if it is severely damaged or is completely worn out. The battery cartridge can explode in a fire.
- Do not nail, cut, crush, throw, drop the battery cartridge, or hit against a hard object to the battery cartridge. Such conduct may result in a fire, excessive heat, or explosion.
- Do not use a damaged battery.

SAVE THESE INSTRUCTIONS.

⚠ CAUTION: Only use genuine Makita batteries. Use of non-genuine Makita batteries, or batteries that have been altered, may result in the battery bursting causing fires, personal injury and damage. It will also void the Makita warranty for the Makita tool and charger.

Tips for maintaining maximum battery life

1. Charge the battery cartridge before completely discharged. Always stop tool operation and charge the battery cartridge when you notice less tool power.
2. Never recharge a fully charged battery cartridge. Overcharging shortens the battery service life.
3. Charge the battery cartridge with room temperature at 10 °C - 40 °C (50 °F - 104 °F). Let a hot battery cartridge cool down before charging it.
4. When not using the battery cartridge, remove it from the appliance or the charger.
5. Charge the battery cartridge if you do not use it for a long period (more than six months).

FUNCTIONAL DESCRIPTION

⚠ CAUTION: Always be sure that the tool is switched off and the battery cartridge is removed before adjusting or checking function on the tool.

Installing or removing battery cartridge (Fig. 1)

⚠ CAUTION: Always switch off the tool before removing of the battery cartridge.

⚠ CAUTION: Hold the tool and the battery cartridge firmly when installing or removing battery cartridge. Failure to hold the tool and the battery cartridge firmly may cause them to slip off your hands and result in damage to the tool and battery cartridge and a personal injury.

To remove the battery cartridge, slide it from the tool while sliding the button on the front of the cartridge. To install the battery cartridge, align the tongue on the battery cartridge with the groove in the housing and slip it into place. Insert it all the way until it locks in place with a little click. If you can see the red indicator as shown in the figure, it is not locked completely.

⚠ CAUTION: Always install the battery cartridge fully until the red indicator cannot be seen. If not, it may accidentally fall out of the tool, causing injury to you or someone around you.

⚠ CAUTION: Do not install the battery cartridge forcibly. If the cartridge does not slide in easily, it is not being inserted correctly.

Indicating the remaining battery capacity (Fig. 2)

Press the check button on the battery cartridge to indicate the remaining battery capacity. The indicator lamps light up for a few seconds.

Indicator lamps			Remaining capacity
Lighted	Off	Blinking	
			75% to 100%
			50% to 75%
			25% to 50%
			0% to 25%
			Charge the battery.
			The battery may have malfunctioned.

NOTE: Depending on the conditions of use and the ambient temperature, the indication may differ slightly from the actual capacity.

NOTE: The first (far left) indicator lamp will blink when the battery protection system works.

Lighting up the light (Fig. 3)

⚠ CAUTION: Do not look in the light or see the source of light directly.

Push the power button to light up the light. To turn off the light, push the power button again.

NOTE: The appliance turns on at the same mode as the last setting.

Selecting the mode

While the light is on, press the **MODE** button to cycle through **spot**, **flood** and **spot + flood** settings.

Turn on strobe lighting (Fig. 4)

Press and hold the **MODE** button until the appliance turns to **strobe** mode. To turn off the **strobe** mode, simply press the **MODE** button.

Appliance / battery protection system

The appliance is equipped with the protection system, which automatically cuts off the output power for long service life.

Overdischarge protection (Fig. 5)

When the battery capacity becomes low, the LED lights go out except one LED. Then approximately five to ten minutes later, the system automatically cuts off power.

Protections against other causes

Protection system is also designed for other causes that could damage the appliance and allows the appliance to stop automatically. Take all the following steps to clear the causes when the appliance has been brought to a temporary halt or stop in operation.

1. Turn the appliance off, and then turn it on again to restart.
2. Charge the battery(ies) or replace it/them with recharged battery(ies).
3. Let the appliance and battery(ies) cool down. If no improvement can be found by restoring protection system, then contact your local Makita Service Center.

Head angle (Fig. 6)

⚠ CAUTION: When changing the head angle, be careful not to pinch your fingers between the head and the tool body.

The head angle can be adjusted in 4 stages.

Hook (Fig. 7)

⚠ CAUTION: When raising the hook, be careful not to pinch your fingers between the hook and the tool body.

Shoulder Strap (Fig. 8)

The shoulder strap can be installed by clips at both ends.

⚠ CAUTION: Do not use the ring for any other purpose than hanging the appliance. Otherwise personal injury may occur.

MAINTENANCE

⚠ CAUTION: Always be sure that the tool is switched off and the battery cartridge is removed before attempting to perform inspection or maintenance.

NOTICE: Never use gasoline, benzine, thinner, alcohol or the like. Discoloration, deformation or cracks may result.

To maintain product SAFETY and RELIABILITY, repairs, any other maintenance or adjustment should be performed by Makita Authorized or Factory Service Centers, always using Makita replacement parts.

OPTIONAL ACCESSORIES

⚠ CAUTION: These accessories or attachments are recommended for use with your Makita tool specified in this manual. The use of any other accessories or attachments might present a risk of injury to persons. Only use accessory or attachment for its stated purpose.

If you need any assistance for more details regarding these accessories, ask your local Makita Service Center.

- Makita genuine battery and charger.

NOTE: Some items in the list may be included in the tool package as standard accessories. They may differ from country to country.

Français (Instructions originales)

Explication de l'idée générale

- | | | | |
|--|-----------------------------|----------------------|----------|
| 1. Cartouche de batterie | 5. Bouton de vérification | 9. Mode Spot + Flood | 13. Clip |
| 2. Voyant rouge | 6. Bouton de mise en marche | 10. Mode Spot | |
| 3. Bouton de déverrouillage de la batterie | 7. Bouton MODE | 11. Crochet | |
| 4. Voyants lumineux | 8. Mode Flood | 12. Bretelle | |

SPÉCIFICATIONS

Modèle	ML007G
DEL	Spot : 1 pc. / Flood : 16 pcs. (Stroboscopique : 17 pcs.)
Dimensions (L × l × H)	323 mm × 120 mm × 118 mm
Tension nominale	36 V à 40 V max C.C
Poids net (sans cartouche de batterie ni sangles d'épaules)	0,95 kg

- En raison de notre programme continu de recherche et développement, les spécifications des présentes sont sujettes à des modifications sans préavis.
- Les spécifications peuvent varier d'un pays à l'autre.
- Les dimensions sont pour BL4025 et la tête vers avant.

Cartouche de batterie et chargeur compatibles

Cartouche de batterie	BL4020 / BL4025 / BL4040 / BL4050F / BL4080F
Chargeur	DC40RA / DC40RB / DC40RC

- Certaines des cartouches de batterie énumérées ci-dessus peuvent ne pas être disponibles en fonction de votre région de résidence.

⚠ AVERTISSEMENT : N'utilisez que les cartouches de batterie ainsi que les chargeurs énumérés ci-dessus. L'utilisation de toute autre cartouche de batterie et de tout autre chargeur peut provoquer des blessures et/ou un incendie.

Durée de fonctionnement

Cartouche de batterie	Durée de fonctionnement (approximative)			
	Spot	Flood	Spot + Flood	Clignotant
BL4020	5,0 heures	5,0 heures	3,5 heures	5,0 heures
BL4025	6,5 heures	6,5 heures	4,5 heures	6,5 heures
BL4040	10 heures	10 heures	7,5 heures	10 heures
BL4050F	13 heures	13 heures	9,5 heures	13 heures
BL4080F	22 heures	22 heures	16 heures	22 heures

- Les durées de fonctionnement indiquées dans le tableau ci-dessus sont mentionnées à titre indicatif. Elles peuvent être différentes des durées de fonctionnement réelles.
- Les durées de fonctionnement peuvent varier en fonction du type de batterie, de l'état de charge et des conditions d'utilisation.
- La cartouche de batterie peut varier d'un pays à un autre.

Symboles

Les symboles suivants indiquent les symboles utilisés pour ces appareils. Assurez-vous de bien comprendre leur signification avant de les utiliser.



- Lisez le manuel d'instruction



- Utilisation en intérieur uniquement



- Uniquement pour les pays de l'UE
À cause de la présence des composants dangereux sur l'équipement, l'équipement électrique et électronique usé, les accumulateurs et les batteries peuvent avoir une influence négative sur l'environnement ainsi que la santé humaine.

Ne pas jeter les appareils électriques et électroniques ou les batteries avec les déchets domestiques!

Selon la Directive Européenne sur l'équipement électrique et électronique usé, sur les accumulateurs et les batteries et sur les accumulateurs et les batteries usés, ainsi que leur adaptation à la loi nationale, l'équipement électrique usé, les batteries et les accumulateurs devraient être stockés séparément et livrés à un point de collecte séparé pour les déchets municipaux, opérant conformément à la réglementation sur la protection de l'environnement.

Cela est indiqué par le symbole de la poubelle à roues barrée placée sur l'équipement.



- Rayonnement optique (UV et IR).
Minimisez l'exposition aux yeux ou à la peau.



- Ne fixez pas une lampe en fonctionnement.



- Utilisez un dispositif de protection ou une protection oculaire appropriée.



- Restez particulièrement vigilants et faites attention !

AVERTISSEMENTS DE SÉCURITÉ

CONSIGNES DE SÉCURITÉ IMPORTANTES

⚠ AVERTISSEMENT : Lors de l'utilisation d'outils électriques, des précautions de sécurité de base doivent toujours être prises pour réduire les risques d'incendie, de choc électrique et de blessures corporelles, notamment les précautions suivantes :

LISEZ TOUTES LES INSTRUCTIONS.

1. Ne regardez pas directement dans la source de lumière ou n'exposez pas la source de lumière aux yeux. Cela peut endommager les yeux.
2. Ne couvrez pas la lampe avec du tissu ou du carton, etc., cela pourrait provoquer un incendie.
3. Cet appareil n'est pas étanche. Ne l'utilisez pas dans des endroits humides ou mouillés. Ne l'exposez pas à la pluie ou à la neige. Ne le lavez pas dans l'eau.
4. Ne touchez pas la partie intérieure de l'appareil avec des pinces, des outils métalliques, etc.
5. Lorsque l'appareil n'est pas utilisé, il faut toujours l'éteindre et retirer la cartouche de batterie de l'appareil.
6. Ne soumettez pas l'appareil à un choc en le faisant tomber, en lui donnant des coups, etc.
7. Consignes de sécurité pour les luminaires portatifs à batteries.
 - L'élimination des batteries doit être conforme à la réglementation locale relative à l'élimination des matières dangereuses.
 - N'incinerez pas la batterie.
8. Informations complémentaires sur les luminaires.
 - La source de lumière du présent luminaire n'est pas remplaçable ; quand la source de luminaire atteint sa fin de vie, tout le luminaire devra être remplacé.
9. Utilisation et entretien de la batterie de l'outil.
 - **AVERTISSEMENT :** Veuillez lire tous les avertissements et toutes les consignes de sécurité. Le non-respect des avertissements et instructions peut provoquer des chocs électriques, des incendies et/ou des blessures graves.
 - Empêchez tout démarrage involontaire. Assurez-vous que l'interrupteur est en position d'arrêt avant de brancher la batterie, de prendre l'appareil ou de le transporter. Le fait de porter l'appareil en mettant le doigt sur l'interrupteur ou d'alimenter l'appareil alors que l'interrupteur est en marche risque d'entraîner des accidents.
 - Débranchez la batterie de l'appareil avant d'effectuer des réglages, de changer des accessoires ou de ranger l'appareil. Ces mesures de sécurité préventives réduisent le risque de faire démarrer l'appareil par inadvertance.

- Rechargez l'appareil uniquement avec le chargeur spécifié par le fabricant. Un chargeur adapté à un type de bloc-batterie peut créer un risque d'incendie lorsqu'il est utilisé avec un autre bloc-batterie.
- N'utilisez les appareils qu'avec des batteries spécialement conçues à cet effet. L'utilisation de tout autre bloc-batterie peut créer un risque de blessure et d'incendie.
- Lorsque la batterie n'est pas utilisée, éloignez-la des autres objets métalliques, tels que les trombones, les pièces de monnaie, les clés, les clous, les vis ou autres petits objets métalliques, qui peuvent établir une connexion d'une borne à une autre. Un court-circuit des bornes de la batterie peut provoquer des brûlures ou un incendie.
- Dans des conditions extrêmes, du liquide peut être éjecté de la batterie ; évitez tout contact. En cas de contact accidentel, rincez à l'eau. En cas de contact avec les yeux, consultez un médecin. Le liquide éjecté de la batterie peut causer une irritation ou des brûlures.
- N'utilisez pas une batterie ou un appareil endommagé(e) ou modifié(e). Les batteries endommagées ou modifiées peuvent présenter un comportement imprévisible entraînant un incendie, une explosion ou un risque de blessure.
- N'exposez pas une batterie ou un appareil à un incendie ou à une température excessive. L'exposition au feu ou à une température supérieure à 130 °C (265 °F) peut provoquer une explosion.
- Conformez-vous à toutes les instructions relatives à la charge et ne chargez pas la batterie ou l'appareil en dehors de la plage de température spécifiée dans les instructions. Une charge incorrecte ou à des températures en dehors de la plage spécifiée peut endommager la batterie et augmenter le risque d'incendie.
- Faites effectuer l'entretien par un réparateur qualifié en n'utilisant que des pièces de rechange identiques. Cela garantira le maintien de la sécurité du produit.
- Ne modifiez pas ou n'essayez pas de réparer l'appareil ou le bloc-batterie, sauf comme indiqué dans le manuel d'utilisation et d'entretien.

Consignes de sécurité importantes pour la cartouche de batterie

- Avant d'utiliser la cartouche de batterie, lisez toutes les instructions et les mises en garde sur (1) le chargeur de batterie, (2) la batterie et (3) le produit qui utilise la batterie.
 - Ne démontez pas et n'altérez pas la cartouche de batterie. Cela pourrait provoquer un incendie, une chaleur excessive ou une explosion.
 - Si la durée de fonctionnement est devenue trop courte, arrêtez immédiatement l'appareil. Cela peut entraîner un risque de surchauffe, de brûlures et même d'explosion.
 - Si vous recevez des électrolytes dans les yeux, rincez-les à l'eau claire et consultez immédiatement un médecin. Ce type de blessure peut entraîner une perte de la vue.
 - Ne court-circuitez pas la cartouche de batterie.
- (1) Ne touchez pas les bornes avec un matériau conducteur.
 - (2) Évitez de ranger la cartouche de batterie dans un contenant avec d'autres objets métalliques tels que des clous, des pièces de monnaie, etc.
 - (3) N'exposez pas la cartouche de batterie à l'eau ou à la pluie. Un court-circuit de la batterie peut causer un flux de courant important, une surchauffe, des brûlures possibles et même une panne.
- Ne rangez pas et n'utilisez pas l'appareil et la cartouche de batterie dans des endroits où la température peut atteindre ou dépasser 50 °C (122 °F).
 - N'incinerez pas la cartouche de batterie même si elle est fortement endommagée ou si elle est complètement usée. La cartouche de batterie peut exploser en cas d'incendie.
 - Ne clouez pas, ne coupez pas, n'écrasez pas, ne jetez pas, ne faites pas tomber la cartouche de batterie et ne frappez pas la cartouche de batterie contre un objet dur. Cela pourrait provoquer un incendie, une chaleur excessive ou une explosion.
 - N'utilisez pas une batterie endommagée.
 - Les batteries lithium-ion incorporées sont soumises aux exigences de la législation sur les marchandises dangereuses. Pour les transports commerciaux, par exemple par des tiers ou des transitaires, des exigences particulières en matière d'emballage et d'étiquetage doivent être respectées. Pour la préparation de l'article à expédier, consultez un expert en matières dangereuses. Veuillez également respecter les réglementations nationales éventuellement plus détaillées. Scellez ou masquez les contacts ouverts et emballez la batterie de manière à ce qu'elle ne puisse pas bouger à l'intérieur de l'emballage.
 - Quand la mise au rebut de la cartouche de batterie est faite, retirez à partir de l'appareil et jetez dans un lieu sûr. Respectez les réglementations locales relatives à l'élimination des batteries.
 - N'utilisez les batteries qu'avec les produits recommandés par Makita. L'installation des batteries sur des produits non conformes peut provoquer un incendie, une chaleur excessive, une explosion ou une fuite d'électrolyte.
 - Si l'outil n'est pas utilisé pendant une longue période, sa batterie doit être retirée.
 - Pendant et après l'utilisation, la cartouche de batterie peut prendre de la chaleur, ce qui peut provoquer des brûlures ou des brûlures à basse température. Faites attention à la manipulation des cartouches de batterie chaudes.
 - Ne touchez pas le terminal de l'appareil immédiatement après son utilisation, car il peut devenir suffisamment chaud pour provoquer des brûlures.
 - Ne laissez pas de copeaux, de poussière ou de terre s'incruster dans les terminaux, les trous et les rainures de la cartouche de batterie. Cela peut entraîner un mauvais fonctionnement ou une panne de l'appareil ou de la cartouche de batterie.

- **N'utilisez pas la cartouche de batterie à proximité de lignes électriques à haute tension, à moins que l'appareil ne puisse être utilisé à proximité de lignes électriques à haute tension. Cela peut entraîner un dysfonctionnement ou une panne de l'appareil ou de la cartouche de batterie.**
- **Gardez la batterie hors de portée des enfants.**

CONSERVEZ CES INSTRUCTIONS.

⚠ ATTENTION : Utilisez uniquement des batteries Makita d'origine. L'utilisation de batteries Makita non authentiques ou de batteries altérées peut entraîner leur explosion et provoquer des incendies, des blessures corporelles et des dommages. Cela annulera également la garantie Makita sur l'outil et le chargeur Makita.

Conseils pour maintenir la durée de vie maximale de la batterie

1. Chargez la cartouche de batterie avant qu'elle ne se décharge complètement. Arrêtez toujours l'appareil et chargez la cartouche de la batterie lorsque vous constatez une réduction de la puissance de celui-ci.
2. Ne rechargez jamais une cartouche de batterie complètement chargée.
Une surcharge réduit la durée de vie de la batterie.
3. Chargez la cartouche de batterie à température ambiante entre 10 °C et 40 °C (50 °F et 104 °F). Laissez une cartouche de batterie chaude refroidir avant de la charger.
4. Lorsque vous n'utilisez pas la cartouche de batterie, retirez-la de l'appareil ou du chargeur.
5. Chargez la cartouche de batterie si vous ne l'utilisez pas pendant une longue période (plus de six mois).

DESCRIPTION FONCTIONNELLE

⚠ ATTENTION : Assurez-vous toujours que l'appareil est éteint et que la cartouche de batterie est retirée avant de régler ou de vérifier le fonctionnement de l'appareil.

Montage ou démontage de la cartouche de batterie (Fig. 1)

⚠ ATTENTION : Éteignez toujours l'outil avant de retirer la cartouche de batterie.

⚠ ATTENTION : Tenez fermement l'outil et la cartouche de batterie lorsque vous montez ou démontez la cartouche de batterie. Si vous ne tenez pas fermement l'outil et la cartouche de batterie, ils risquent de glisser de vos mains, de s'endommager ainsi et de provoquer des blessures corporelles.

Pour retirer la cartouche de batterie, faites-la glisser de l'outil tout en faisant glisser le bouton à l'avant de la cartouche. Pour monter la cartouche de batterie, alignez la languette de la cartouche de batterie avec la rainure du boîtier et faites-la glisser dans le boîtier. Insérez-la jusqu'à ce qu'elle s'enclenche d'un simple clic. Si vous pouvez voir l'indicateur rouge comme cela montré sur la figure, il n'est pas verrouillé complètement.

⚠ ATTENTION : Installez toujours la cartouche de batterie complètement jusqu'à ce que l'indicateur rouge ne soit plus visible. Dans le cas contraire, elle pourrait tomber accidentellement de l'appareil et vous blesser ou blesser quelqu'un de votre entourage.

⚠ ATTENTION : N'installez pas la cartouche de batterie en forçant. Si la cartouche ne glisse pas facilement, c'est qu'elle n'est pas insérée correctement.

Indication de la charge résiduelle de la batterie (Fig. 2)

Appuyez sur le bouton de vérification de la cartouche de batterie pour indiquer la capacité restante de la batterie. Les voyants lumineux s'allument pendant quelques secondes.

Voyants lumineux			Capacité restante
Allumé	Éteint	Clignotant	
			75 % à 100 %
			50 % à 75 %
			25 % à 50 %
			0 % à 25 %
			Chargez la batterie.
			La batterie a peut-être mal fonctionné.

NOTE : Selon les conditions d'utilisation et la température ambiante, l'indication peut différer légèrement de la capacité réelle.

NOTE : Le premier voyant (à l'extrême gauche) clignote lorsque le système de protection de la batterie fonctionne.

Allumage de la lampe (Fig. 3)

⚠ ATTENTION : Ne regardez pas dans la lampe ou ne regardez pas directement la source de lumière.

Appuyez sur le bouton d'alimentation pour allumer la lampe. Pour éteindre la lampe, appuyez à nouveau sur le bouton d'alimentation.

NOTE : Lorsque l'appareil s'allume, le mode de fonctionnement est le même que celui du dernier réglage.

Sélection du mode

Lorsque la lampe est allumée, appuyez sur le bouton **MODE** pour faire défiler les réglages **spot**, **floor** et **spot + floor**.

Allumer les stroboscopes (Fig. 4)

Appuyez sur le bouton **MODE** et maintenez-le enfoncé jusqu'à ce que l'appareil passe en mode **stroboscopique**. Pour désactiver le mode **stroboscopique**, appuyez simplement sur le bouton **MODE**.

Système de protection de la machine /de l'appareil

l'appareil est équipé d'un système de protection qui coupe automatiquement la puissance de sortie pour une longue durée de vie.

Protection contre la décharge excessive (Fig.5)

Quand la capacité de la batterie devient basse, les voyants LED sont éteints à l'exception d'un voyant LED. Puis, environ cinq à dix minutes plus tard, le système coupe automatiquement le courant.

Protections contre les autres causes

Le système de protection est aussi conçu pour les autres causes qui pourraient endommager l'appareil et permet à l'appareil d'être arrêté automatiquement. Prenez toutes les étapes ci-après afin d'éliminer les causes quand l'appareil a été suspendu ou arrêté temporairement en opération.

1. Éteignez l'appareil, et puis il est allumé à nouveau pour le redémarrage.
2. La batterie ou les batteries sont chargées ou elle / elles sont remplacées à l'aide de la batterie ou des batteries rechargées.
3. Laissez refroidir l'appareil et la batterie ou les batteries.

Si aucune amélioration ne peut être découverte en restaurant le système de protection, par la suite, contactez votre Centre de Service Makita local.

Angle de direction (Fig. 6)

⚠ ATTENTION : Lorsque vous changez l'angle de direction, veillez à ne pas pincer les doigts entre la tête et le corps de l'appareil.

L'angle de direction peut être réglé en 4 positions.

Crochet (Fig. 7)

⚠ ATTENTION : Lorsque vous relevez le crochet, veillez à ne pas pincer les doigts entre le crochet et le corps de l'outil.

Sangles d'épaules (Fig. 8)

La sangle d'épaule peut être installée à l'aide de pinces aux deux extrémités.

⚠ ATTENTION : Ne pas utiliser l'anneau pour tout autre objectif que la suspension de l'appareil. Faute de quoi, la blessure corporelle peut se produire.

ENTRETIEN

⚠ ATTENTION : Assurez-vous toujours que l'outil est éteint et que la cartouche de batterie est retirée avant de tenter d'effectuer une inspection ou un entretien.

NOTE : N'utilisez jamais d'essence, de benzène, de diluant, d'alcool ou d'autres produits similaires. Il pourrait en résulter une décoloration, une déformation ou des fissures.

Pour maintenir la SÉCURITÉ et la FIABILITÉ du produit, les réparations et tout autre entretien ou ajustement doivent être effectués par des centres de service agréés par Makita ou par des centres agréés par le service technique constructeur, toujours avec des pièces de rechange Makita.

ACCESSOIRES FACULTATIFS

⚠ ATTENTION : Nous vous recommandons d'utiliser ces accessoires ou pièces détachées avec votre outil Makita spécifié dans le présent manuel. L'utilisation d'autres accessoires ou pièces détachées peut exposer les utilisateurs à des risques de blessures. Utilisez l'accessoire ou la pièce détachée uniquement aux fins indiquées.

Si vous avez besoin d'aide pour plus de détails concernant ces accessoires, adressez-vous à votre centre de service Makita de votre localité.
• Batterie et chargeur Makita d'origine.

NOTE : Certains articles de la liste peuvent être inclus dans la trousse de l'outil comme accessoires standard. Ils peuvent varier d'un pays à l'autre.

DEUTSCHLAND (Original Anweisungen)

Erläuterung der allgemeinen Ansicht

- | | | | |
|--------------------------|-------------------|-------------------------|-------------|
| 1. Batteriefach | 5. Prüftaste | 9. Spot- und Flut-Modus | 13. Klammer |
| 2. Rot-Anzeige | 6. Einschalttaste | 10. Spot-Modus | |
| 3. Batterie-Entriegelung | 7. MODUS-Taste | 11. Haken | |
| 4. Anzeigelampen | 8. Flut-Modus | 12. Schulterriemen | |

SPEZIFIKATIONEN

Modell	ML007G
LED	Spot: 1 Stk. /Flut: 16 Stk. (Stroboskop: 17 Stk.)
Abmessungen (L × B × H)	323 mm × 120 mm × 118 mm
Nennspannung	D.C. 36 V - 40 V max
Nettogewicht (ohne Batteriefach und schulterriemen)	0,95 kg

- Die Spezifikationen können ohne vorherige Ankündigung geändert werden, da wir die Forschung und Entwicklung laufend fortsetzen.
- Die Spezifikationen sind je nach Land unterschiedlich.
- Größe mit BL4025 und Kopf nach vorne .

Zulässiges Batteriefach und Ladegerät

Batteriefach	BL4020 / BL4025 / BL4040 / BL4050F / BL4080F
Ladegerät	DC40RA / DC40RB / DC40RC

- Einige der oben aufgeführten Batterien sind an Ihrem Wohnort möglicherweise nicht verfügbar.

⚠ WARNUNG: Verwende ausschließlich die oben aufgeführten Batterien und Ladegeräte. Die Verwendung anderer Batterien und Ladegeräten kann zu Verletzungen und/oder einem Brand führen.

Betriebsdauer

Batteriefach	(Ungefähre) Betriebsdauer			
	Spot	Flut	Spot + Flut	Stroboskop
BL4020	5,0 Stunden	5,0 Stunden	3,5 Stunden	5,0 Stunden
BL4025	6,5 Stunden	6,5 Stunden	4,5 Stunden	6,5 Stunden
BL4040	10 Stunden	10 Stunden	7,5 Stunden	10 Stunden
BL4050F	13 Stunden	13 Stunden	9,5 Stunden	13 Stunden
BL4080F	22 Stunden	22 Stunden	16 Stunden	22 Stunden

- Die in der oberen Tabelle angegebenen Betriebszeiten sind nur grobe Richtlinien. Sie unterscheiden sich eventuell von den tatsächlichen Betriebszeiten.
- Die Betriebsdauer hängt von der Art der Batterie, dem Ladezustand und den Nutzungsbedingungen ab.
- Das Batteriefach ist eventuell in jedem Land unterschiedlich.

Zeichen

Im Folgenden finden Sie die Zeichen, die für dieses Gerät verwendet werden. Stellen Sie sicher, dass Sie die Bedeutung der Zeichen kennen, bevor Sie das Produkt verwenden.



- Lesen Sie die Betriebsanleitung



- Nur für den Betrieb im Inneren



- Nur für die Nutzung in EU-Ländern Elektro- und Elektronik-Altgeräte, Akkumulatoren und Batterien können aufgrund des Vorhandenseins gefährlicher Bauteile in Geräten negative Auswirkungen auf die Umwelt und die menschliche Gesundheit haben.

Entsorgen Sie niemals Elektro- und Elektronikgeräte oder Batterien mit Hausmüll!
Gemäß der europäischen Richtlinie über Elektro- und Elektronik-Altgeräte, Akkumulatoren und Altakkumulatoren und deren Anpassung an das nationale Recht sollten Elektroaltgeräte, Akkumulatoren und Akkumulatoren getrennt gelagert und an separate Abfallsammelstellen geliefert werden, die gemäß den Umweltschutzvorschriften durchgeführt werden sollen.

Dies wird durch das Symbol des durchgestrichenen Radbehälters angezeigt, das auf dem Gerät platziert ist.



- Optische Strahlung (UV und IR) Abstrahlungen auf Augen und Haut vermeiden.



- Nicht direkt in die eingeschaltete Lampe blicken.



- Verwenden Sie eine angemessene Blende oder Augenschutz.



- Gehen Sie besonders vorsichtig vor!

SICHERHEITSWARUNGEN

WICHTIGE SICHERHEITSANWEISUNGEN

⚠️ WARNUNG: Wenn Sie Elektrogeräte nutzen, sollten Sie stets die Sicherheitsvorkehrungen einhalten, um das Risiko eines Brandes, eines elektrischen Schlags und von Verletzungen zu vermeiden, einschließlich des Folgenden:

ALLE ANWEISUNGEN DURCHLESEN.

1. Sehen Sie nicht direkt ins Licht und richten Sie das Licht nicht direkt auf Augen. Dies könnte zu Verletzungen an den Augen führen.
2. Decken Sie die Lampe nicht mit einem Tuch oder mit Karton ab, da dies einen Brand verursachen könnte.
3. Das Gerät ist nicht wasserdicht. Verwenden Sie es nicht an einem feuchten oder nassen Ort. Setzen Sie es keinem Regen oder Schnee aus. Nicht in Wasser waschen.
4. Berühren Sie das Innere des Geräts nicht mit Pinzetten, Metallwerkzeugen usw.
5. Wenn das Gerät nicht verwendet wird, müssen Sie es stets abschalten und die Batterie aus dem Gerät entfernen.
6. Verpassen Sie dem Gerät keine Erschütterungen durch Fallenlassen, Schläge usw.
7. Sicherheitsinformationen für tragbare Leuchten mit Batterien.
 - Die Batterien sollten gemäß den örtlichen Vorschriften für Gefahrenstoffe entsorgt werden.
 - Die Batterie darf nicht verbrannt werden.
8. Zusätzliche Hinweise für Leuchtmittel.
 - Die Lichtquelle dieser Lampe ist nicht austauschbar; Wenn die Lebensdauer der Lichtquelle abgelaufen ist, sollte die gesamte Leuchte ausgetauscht werden.
9. Nutzung und Pflege der Batterie.
 - **WARNUNG:** Lesen Sie alle Sicherheitshinweise und Anweisungen. Die Nichtbeachtung der Warnungen und Anweisungen kann zu Stromschlägen, Bränden und/oder schweren Verletzungen führen.
 - Vermeiden Sie ungewollte Inbetriebnahme. Achten Sie darauf, dass der Schalter in der Aus-Position steht, bevor Sie die Batterien einsetzen, das Gerät hochheben oder herumtragen. Wenn Sie das Gerät mit dem Finger am Schalter tragen oder gleichzeitig einschalten, kann dies zu Unfällen führen.
 - Nehmen Sie die Batterien aus dem Gerät, bevor Sie Änderungen vornehmen, Zubehör auswechseln oder das Gerät lagern. Solche Vorsichtsmaßnahmen senken das Risiko, dass das Gerät versehentlich in Betrieb geht.
 - Laden Sie das Gerät nur mit dem vom Hersteller zugelassenen Ladegerät auf. Ein Ladegerät, das für einen Batterietyp geeignet ist, kann bei anderen Batterietypen zu einer Brandgefahr führen.
 - Verwenden Sie Geräte ausschließlich mit den entsprechenden Batterien. Wenn Sie andere Batterien verwenden, kann dies zu Verletzungen oder einem Brand führen.
 - Wenn Sie die Batterie nicht verwenden, halten Sie sie von sonstigen Metallgegenständen wie Heftklammern, Münzen, Schlüsseln, Nägel, Schrauben oder sonstigen kleinen Metallgegenständen fern, die einen Kurzschluss auslösen könnten. Ein Kurzschluss der Pole kann zu Verbrennungen oder einem Brand führen.

- Wenn Sie die Batterien missbräuchlich verwenden, kann Flüssigkeit aus der Batterie austreten; vermeiden Sie direkten Kontakt mit der Flüssigkeit. Falls es doch versehentlich zu einem Kontakt kommt, waschen Sie Ihre Hände mit Wasser. Falls die Flüssigkeit in die Augen gelangt, suchen Sie zusätzlich medizinische Hilfe auf. Flüssigkeiten, die aus der Batterie austreten, können Reizungen oder Verbrennungen verursachen.
- Verwenden Sie keine Batterien oder Geräte, die beschädigt oder modifiziert wurden. Beschädigte oder modifizierte Batterien können sich unvorhersehbar verhalten, was zu einem Brand oder einer Explosion führen kann oder ein Verletzungsrisiko darstellt.
- Setzen Sie eine Batterie keinem offenem Feuer oder sehr hohen Temperaturen aus. Wenn Sie das Gerät Feuer oder einer Temperatur über 130 °C (265 °F) aussetzen, kann dies zu einer Explosion führen.
- Halten Sie sich an alle Anweisungen zum Aufladen der Batterie und halten Sie sich an die in den Anweisungen angegebenen Temperatureinschränkungen. Unsachgemäßes Aufladen oder Aufladen bei Temperaturen außerhalb der festgelegten Grenzwerte kann dazu führen, dass die Batterie beschädigt wird, oder das Brandrisiko steigt.
- Lassen Sie Wartungsarbeiten nur von qualifizierten Arbeitern mit passenden Ersatzteilen durchführen. Dadurch wird die Sicherheit des Produkts gewährleistet.
- Modifizieren Sie das Gerät oder die Batterien nicht und versuchen Sie nicht, diese zu reparieren, außer entsprechend den Nutzungs- und Pflegeanweisungen.

Wichtige Sicherheitsanweisungen für Batterien

- Bevor Sie Batterien verwenden, lesen Sie alle Anweisungen und Sicherheitsmarkierungen auf (1) dem Ladegerät, (2) der Batterie und (3) dem Produkt durch, in welches die Batterie eingesetzt wird.
- Schließen Sie die Batterien nicht kurz und modifizieren Sie sie nicht. Dies kann zu einem Brand, extremer Hitze oder einer Explosion führen.
- Falls die Betriebsdauer sich wesentlich verkürzt, stellen Sie unverzüglich den Betrieb ein. Es besteht die Gefahr von Überhitzung, möglichen Verbrennungen und es kann sogar zu einer Explosion kommen.
- Falls Sie Elektrolyte in die Augen kriegen, spülen Sie diese mit sauberem Wasser aus und suchen Sie unverzüglich medizinische Hilfe auf. Es besteht die Gefahr, das Augenlicht zu verlieren.
- Schließen Sie die Batterien nicht kurz.
- (1) Berühren Sie die Klemmen nicht mit leitfähigem Material.
- (2) Bewahren Sie die Batterien nicht in einem Behälter mit Metallobjekten wie Nägeln, Münzen usw. auf.
- (3) Setzen Sie die Batterien keinem Wasser oder Regen aus. Ein Kurzschluss an der Batterie kann zu einem starken Stromfluss und somit Überhitzung, möglichen Verbrennungen und sogar zu einem Ausfall führen.
- Lagern und verwenden Sie das Werkzeug und die Batterien nicht an Orten mit Temperaturen über 50 °C (122 °F).
- Verbrennen Sie die Batterie nicht, selbst dann nicht, wenn sie schwer beschädigt oder vollkommen verschlissen ist. Die Batterie kann explodieren.
- Schlagen Sie keine Nägel in die Batterie, schneiden Sie sie nicht auf, zerquetschen Sie sie nicht, werfen Sie sie nicht herunter und lassen Sie sie nicht fallen und schlagen Sie keine harten Gegenstände darauf. Dies kann zu einem Brand, extremer Hitze oder einer Explosion führen.
- Verwenden Sie keine beschädigte Batterie.

- Lithium-Ionen-Batterien unterliegen den gesetzlichen Vorschriften für Gefährliche Güter. Bei kommerziellen Transport, beispielsweise durch Dritte oder Handelsvertreter, müssen die besonderen Bedingungen für Verpackungen und Kennzeichnung eingehalten werden. Bei der Vorbereitung der Versandwaren müssen Sie einen Fachmann für Gefahrgüter zu Rate ziehen. Bitte beachten Sie auch die möglicherweise genaueren nationalen Vorschriften. Kleben Sie offene Kontakte ab und verpacken Sie die Batterie so, dass sie sich in der Verpackung nicht frei bewegen kann.
- Bei der Handhabung des Batteriegehäuses entfernen Sie es bitte aus dem Gerät und entsorgen Sie es an einem sicheren Ort. Halten Sie sich an die örtlichen Vorschriften zur Entsorgung von Batterien.
- Verwenden Sie die Batterien nur mit den von Makita angegebenen Produkten. Wenn Sie die Batterien in ungeeigneten Produkten verwenden, kann dies zu einem Brand, starker Hitze, einer Explosion oder dem Auslaufen von Elektrolyten führen.
- Falls das Werkzeug längere Zeit nicht verwendet wird, muss die Batterie aus dem Werkzeug entfernt werden.
- Während und nach der Nutzung kann sich die Batterie erhitzen, was zu einem Brand oder zu schleichendem Brand führen kann. Achten Sie darauf, die heißen Batterien sorgfältig zu behandeln.
- Berühren Sie den Anschluss des Werkzeugs nicht unmittelbar nach dem Gebrauch, da es heiß genug werden kann, um Verbrennungen zu verursachen.
- Es dürfen keine Späne, Staub oder Erde in die Anschlüsse, Löcher und Rillen der Batterie gelangen. Es kann zu schlechter Leistung oder zum Ausfall des Werkzeugs oder der Batterie führen.
- Sie dürfen die Batterie nicht in der Nähe von Hochspannungsleitungen verwenden, es sei denn das Werkzeug ist darauf ausgelegt. Dies kann zu schlechter Leistung oder einem Ausfall des Werkzeugs oder des Batteriefachs führen.
- Halten Sie die Batterie von Kindern fern.

BEWAHREN SIE DIESE ANWEISUNGEN GUT AUF.

⚠ VORSICHT: Verwenden Sie ausschließlich originale Makita-Batterien. Wenn Sie keine originalen Makita-Batterien verwenden, oder Batterien, die modifiziert wurden, besteht die Gefahr, dass die Batterie platzt, was zu einem Brand, Verletzungen oder Schäden führen kann. Außerdem verfällt die Makita-Garantie für das Makita-Werkzeug und das Ladegerät.

Tipps für eine maximale Lebensdauer der Batterie

1. Laden Sie die Batterie auf, bevor sie vollständig entladen ist. Sollten Sie merken, dass die Leistung nachlässt, halten Sie das Werkzeug an und laden Sie die Batterien auf.
2. Laden Sie keine vollständig geladene Batterie auf. Ein Überladen verkürzt die Lebensdauer der Batterie.
3. Laden Sie die Batterie bei Zimmertemperatur zwischen 10-40 °C (50-104 °F) auf. Bevor Sie eine heiße Batterie aufladen, sollten Sie sie abkühlen lassen.
4. Entfernen Sie die Batterie aus dem Geräte oder dem Ladegerät, wenn Sie sie nicht verwenden.
5. Laden Sie die Batterie auf, bevor Sie sie längere Zeit nicht verwenden (länger als sechs Monate).

FUNKTIONSBESCHREIBUNG

⚠ VORSICHT: Achten Sie stets darauf, dass das Werkzeug abgeschaltet ist und das Batteriefach entfernt wurde, bevor Sie die Funktionen des Werkzeugs einstellen oder überprüfen.

Installation oder Entfernung des Batteriefachs (Fig. 1)

⚠ VORSICHT: Schalten Sie das Werkzeug stets aus, bevor Sie das Batteriefach entfernen.

⚠ VORSICHT: Halten Sie das Werkzeug und das Batteriefach gut fest, wenn Sie es installieren oder entfernen. Wenn Sie dies nicht tun, kann es Ihnen aus den Händen rutschen und zu Schäden am Werkzeug oder dem Batteriefach sowie zu Verletzungen führen.

Um die Batterie zu entfernen, ziehen Sie sie aus dem Gerät heraus, und drücken Sie gleichzeitig die Taste auf der Vorderseite des Einsatzes. Um das Batteriefach einzusetzen, müssen Sie den hervorstehenden Teil des Batteriefachs in die Aussparung des Gehäuses einrasten lassen. Legen Sie die Batterie vollständig ein, bis Sie ein kleines Klicken hören können. Wenn Sie die rote Anzeigelampe sehen können, wie in der Abbildung gezeigt, bedeutet dies, dass es nicht vollständig verriegelt ist.

⚠ VORSICHT: Stecken Sie die Batterie stets soweit ein, bis die rote Anzeige nicht mehr zu sehen ist. Falls nicht, kann sie versehentlich aus dem Werkzeug herausfallen, was zu Verletzungen bei Ihnen oder Ihren Mitmenschen führen kann.

⚠ VORSICHT: Drücken Sie die Batterie nicht gewaltsam in Position. Falls die Batterie nicht leicht einzusetzen ist, machen Sie etwas falsch.

Zeigt die übrige Leistung der Batterie an (Fig. 2)

Drücken Sie die Prüftaste an der Batterie, um die restliche Batteriekapazität anzuzeigen. Die Anzeigelampe leuchtet einige Sekunden lang auf.

Anzeigelampen			Übrige Kapazität
Leuchtend	Aus	Blinkend	
			75 % bis 100 %
			50 % bis 75 %
			25 % bis 50 %
			0 % bis 25 %
			Batterie aufladen.
			Die Batterie hat eventuell eine Fehlfunktion.

HINWEIS: Je nach den Nutzungsbedingungen und der Umgebungstemperatur, kann die Anzeige sich etwas von der tatsächlichen Kapazität unterscheiden.
HINWEIS: Die erste (ganz linke) Anzeigelampe leuchtet auf, wenn der Batterieschutz in Betrieb ist.

Die Lampe leuchtet auf (Fig. 3)

⚠ VORSICHT: Sehen Sie nicht direkt in das Licht oder die Lichtquelle.

Drücken Sie auf die Einschalttaste, damit die Lampe leuchtet. Um die Lampe abzuschalten, drücken Sie erneut auf die Einschalttaste.

HINWEIS: Das Gerät schaltet im selben Modus wieder ein, der zuletzt eingestellt war.

Modusauswahl

Wenn die Lampe brennt, drücken Sie auf die Taste **MODUS**, um durch die Einstellungen **Spot**, **Flut** und **Spot + Flut** zu schalten.

Schalten Sie die Stroboskop-Beleuchtung ein (Fig. 4)

Drücken und halten Sie die Taste **MODUS**, bis das Gerät in den **Stroboskop**-Modus schaltet. Um den **Stroboskop**-Modus abzuschalten, drücken Sie einfach auf die Taste **MODUS**.

Geräte / Batterieschutzsystem

Das Gerät ist mit einem Schutzsystem ausgestattet, durch das die Ausgangsspannung automatisch abgeschaltet wird, um die Lebensdauer zu verlängern.

Überentladungsschutz (Fig. 5)

Wenn die Kapazität der Batterie niedriger wird, erlischt das LED-Licht mit Ausnahme einer LED Etwa fünf bis zehn Minuten später schaltet das System den Strom ab.

Schutz gegen andere Ursachen

Das Schutzsystem ist auch für andere Gründe ausgelegt, die das Gerät beschädigen können, und ermöglicht das automatische Stoppen des Geräts. Wenn das Gerät vorübergehend ausfällt oder nicht mehr läuft, führen Sie die folgenden Schritte aus, um die Ursache zu beseitigen.

1. Schalten Sie das Gerät aus und es wieder ein, um es neu zu starten.
2. Laden Sie den Akku auf oder ersetzen Sie ihn/sie durch einen aufgeladenen Akku.
3. Geräte und Batterien abkühlen lassen. Wenn durch die Wiederherstellung des Schutzsystems keine Verbesserung vorkommt, wenden Sie sich an Ihr lokales Makita Service Center.

Kopfwinkel (Fig. 6)

⚠ VORSICHT: Wenn Sie den Kopfwinkel ändern, achten Sie darauf, dass Sie sich nicht die Finger zwischen Kopf und Gehäuse des Werkzeugs einklemmen.

Der Kopfwinkel kann in 4 unterschiedliche Stufen eingestellt werden.

Haken (Fig. 7)

⚠ VORSICHT: Achten Sie beim Anheben des Hakens darauf, dass Sie sich nicht die Finger zwischen Haken und Gerätegehäuse einklemmen.

Schulterriemen (Fig. 8)

Der Schulterriemen kann mit Klemmen an beiden Enden montiert werden.

⚠ VORSICHT: Verwenden Sie den Ring nicht für andere Zwecke als zum Aufhängen von Geräten. Andernfalls kann es zu Personenschäden kommen.

WARTUNG

⚠ VORSICHT: Achten Sie stets darauf, dass das Werkzeug ausgeschaltet ist und das Batteriefach entfernt wurde, bevor Sie Inspektions- oder Wartungsarbeiten durchführen.

HINWEIS: Verwenden Sie niemals Benzin, Leichtbenzin, Verdünner, Alkohol oder ähnliches. Dies kann zu Verfärbungen, Verformungen oder Rissen führen.

Um die Produkt-SICHERHEIT und ZUVERLÄSSIGKEIT beizubehalten, dürfen sonstige Wartungs- und Einstellungsarbeiten nur von einem vom Makita zugelassenen oder von einem Werks-Kundendienst durchgeführt werden, der ausschließlich Ersatzteile von Makita verwendet.

ZUBEHÖR

⚠ VORSICHT: Dieses Zubehör und die Zusatzeile werden für die Verwendung in Ihrem Makita-Werkzeug empfohlen, das in diesem Handbuch beschrieben ist. Wenn Sie anderes Zubehör oder Zubehörteile verwenden, besteht Verletzungsrisiko. Verwenden Sie Zubehör oder Zubehörteile nur für den angegebenen Zweck.

Falls Sie weitere Angaben über das Zubehör benötigen, wenden Sie sich an Ihr örtliches Makita-Service-Center.

- Originalbatterie und Ladegerät von Makita.

HINWEIS: Einige Gegenstände auf dieser Liste sind möglicherweise als Standard-Zubehör in diesem Werkzeugsatz enthalten. Dies kann je nach Land unterschiedlich sein.

ITALIANO (Istruzioni originali)

Spiegazione con panoramica generale

- | | | | |
|----------------------------------|---------------------------|--------------------------|----------|
| 1. Cartuccia della batteria | 5. Pulsante di controllo | 9. Modalità Spot + Flood | 13. Clip |
| 2. Spia rossa | 6. Pulsante di accensione | 10. Modalità spot | |
| 3. Pulsante di rilascio batteria | 7. Pulsante MODALITÀ | 11. Gancio | |
| 4. Spie luminose | 8. Modalità flood | 12. Tracolla | |

Indicazioni

Modello	ML007G
LED	Spot: 1 pezzo / Flood: 16 pezzi (Luce stroboscopica: 17 pezzi)
Dimensioni (L × P × H)	323 mm × 120 mm × 118 mm
Tensione nominale	Max C.C. 36 V - 40 V
Peso netto (senza cartuccia della batteria e tracolla)	0,95 kg

- A causa del nostro continuo programma di ricerca e sviluppo, le indicazioni ivi contenute sono soggette a modifiche senza preavviso.
- Le indicazioni possono variare da paese a paese.
- Le dimensioni sono con BL4025 e con la testa in avanti.

Cartuccia della batteria applicabile e caricatore

Cartuccia della batteria	BL4020 / BL4025 / BL4040 / BL4050F / BL4080F
Caricatore	DC40RA / DC40RB / DC40RC

- Alcune cartucce delle batterie sopra elencate potrebbero non essere disponibili a seconda della propria regione di residenza.

⚠ ATTENZIONE: Utilizzare solo le cartucce della batteria e i caricabatterie sopra elencati. L'uso di qualsiasi altra batteria e caricatore può causare lesioni e/o incendi.

Tempo di funzionamento

Cartuccia della batteria	Tempo di funzionamento (approssimativo)			
	Spot	Flood	Spot + Flood	Luce stroboscopica
BL4020	5,0 ore	5,0 ore	3,5 ore	5,0 ore
BL4025	6,5 ore	6,5 ore	4,5 ore	6,5 ore
BL4040	10 ore	10 ore	7,5 ore	10 ore
BL4050F	13 ore	13 ore	9,5 ore	13 ore
BL4080F	22 ore	22 ore	16 ore	22 ore

- I tempi di funzionamento riportati nella tabella precedente rappresentano una guida di riferimento. Essi possono differire dai tempi di funzionamento effettivi.
- I tempi di funzionamento possono variare a seconda del tipo di batteria, dello stato di carica e delle condizioni di utilizzo.
- La cartuccia della batteria può variare da paese a paese.

Simboli

Di seguito sono riportati i simboli utilizzati per l'apparecchiatura. Assicurarsi di averne compreso il significato prima dell'uso.



- Leggere il manuale di istruzioni



- Solo per utilizzo in interni



- Solo per i paesi dell'UE

Per la presenza di componenti pericolosi all'interno del dispositivo, gli scarti di apparecchiature elettriche ed elettroniche, accumulatori e batterie possono avere un negativo impatto sull'ambiente e la salute degli esseri umani.

Non si devono smaltire gli apparecchi elettrici ed elettronici o batterie insieme ai rifiuti domestici!

In linea con la Direttiva europea relativa ai rifiuti di apparecchiature elettriche ed elettroniche, accumulatori e batterie e scarti di accumulatori e batterie, e il loro adeguamento alla legislazione nazionale, gli scarti di apparecchiature elettriche, batterie e accumulatori devono essere stoccati in maniera separata e devono essere consegnati ad un punto di raccolta separato per i rifiuti urbani, rispettando la legge legata alla tutela dell'ambiente.

Questo è indicato attraverso il simbolo del cassetto con una barra che è posizionato sull'apparecchiatura.



- Radiazioni ottiche (UV e IR).
Ridurre al minimo l'esposizione agli occhi o alla pelle.



- Non fissare la lampada operatoria.



- Utilizzare una schermatura appropriata o una protezione per gli occhi.



- Prestare particolare attenzione!

AVVERTENZE DI SICUREZZA

ISTRUZIONI IMPORTANTI RELATIVE ALLA SICUREZZA

⚠ ATTENZIONE: Per ridurre il rischio di incendi, scosse elettriche e lesioni personali, quando si usano utensili elettrici si devono sempre seguire precauzioni di sicurezza di base, comprese le seguenti:

LEGGERE TUTTE LE ISTRUZIONI.

1. Non guardare direttamente la luce o non puntare la luce verso gli occhi. Gli occhi possono esserne danneggiati.
2. Non coprire la lampada con panno, cartone, ecc. Ciò potrebbe provocare la formazione di una fiamma.
3. L'apparecchio non è impermeabile. Non utilizzarlo in ambienti umidi o al bagnato. Proteggere l'apparecchio da pioggia o neve. Non lavarlo in acqua.
4. Non toccare l'interno dell'apparecchio pinzette, strumenti metallici, ecc.
5. Quando l'apparecchio non è in uso, spegnere sempre e rimuovere la batteria dall'apparecchio.
6. Non fare cadere l'apparecchio, non esporlo a urti, ecc.
7. Informazioni di sicurezza per apparecchi portatili a batteria.
 - Lo smaltimento delle batterie deve essere conforme alle normative locali sullo smaltimento dei materiali pericolosi.
 - Non bruciare la batteria.
8. Informazioni supplementari per gli apparecchi di illuminazione.
 - La sorgente luminosa di questo apparecchio di illuminazione non può essere sostituita; quando la sorgente luminosa arriva alla fine del suo ciclo di utilizzo, l'intero apparecchio di illuminazione deve essere sostituito.
9. Utilizzo e manutenzione dell'utensile a batteria.
 - **ATTENZIONE:** Leggere tutte le avvertenze di sicurezza e le istruzioni. L'inosservanza delle avvertenze e delle istruzioni può causare scosse elettriche, incendi e/o gravi lesioni.
 - Evitare l'avviamento accidentale. Accertarsi che l'interruttore sia in posizione off prima di collegare il pacco batteria, prelevare o trasportare l'apparecchio. Il trasporto dell'apparecchio con il dito sull'interruttore o dell'apparecchio energizzante che ha l'interruttore acceso, è indice di incidenti.
 - Scollegare il pacco batteria dall'apparecchio prima di effettuare regolazioni, cambiare gli accessori o riporre l'apparecchio. Tali misure di sicurezza preventive riducono il rischio di avviamento accidentale dell'apparecchio.
 - Ricaricare solo con il caricabatterie specificato dal produttore. Un caricabatterie adatto ad un tipo di batteria può creare il rischio di incendio se utilizzato con un altro tipo di batteria.
 - Utilizzare gli apparecchi solo con i pacchi batterie appositamente predisposti. L'uso di altri pacchi batteria può creare un rischio di lesioni e di incendio.
 - Quando il pacco batteria non viene utilizzato, tenerlo lontano da altri oggetti metallici, come graffette, monete, chiavi, chiodi, viti o altri piccoli oggetti metallici, che possono effettuare un collegamento da un terminale all'altro. Il cortocircuito tra i terminali della batteria può causare ustioni o incendi.

- In condizioni abusive, il liquido può essere espulso dalla batteria; evitare il contatto. In caso di contatto accidentale, sciacquare con acqua. Se il liquido entra in contatto con gli occhi, consultare inoltre un medico. Il liquido espulso dalla batteria può causare irritazione o ustioni.
- Non utilizzare batterie o apparecchi danneggiati o modificati. Batterie danneggiate o modificate possono presentare un comportamento imprevedibile con conseguente rischio di incendio, esplosione o rischio di lesioni.
- Non esporre un pacco batterie o un apparecchio al fuoco o a temperature eccessive. L'esposizione al fuoco o a temperature superiori a 130 °C (265 °F), può causare esplosione.
- Seguire tutte le istruzioni di carica e non caricare il pacco batteria o l'apparecchio al di fuori dell'intervallo di temperatura specificato nelle istruzioni. Una carica impropria o a temperature al di fuori dell'intervallo di temperatura specificato può danneggiare la batteria e aumentare il rischio di incendio.
- Far eseguire la manutenzione da un riparatore qualificato utilizzando solo pezzi di ricambio identici. In questo modo si garantisce il mantenimento della sicurezza del prodotto.
- Non modificare o tentare di riparare l'apparecchio o il pacco batteria se non come indicato nelle istruzioni per l'uso e la manutenzione.

Importanti istruzioni di sicurezza per la cartuccia della batteria

- Prima di utilizzare la cartuccia della batteria, leggere tutte le istruzioni e i segni di attenzione (1) sul caricabatterie, (2) sulla batteria e (3) sul prodotto che utilizza la batteria.
- Non smontare o manomettere la cartuccia della batteria. Può provocare un incendio, un calore eccessivo o un'esplosione.
- Se il tempo di funzionamento si è ridotto eccessivamente, interrompere immediatamente l'utilizzo. Ciò può comportare il rischio di surriscaldamento, possibili ustioni e persino un'esplosione.
- Se l'elettrolito entra negli occhi, sciacquarli con acqua pulita e consultare immediatamente un medico. Ciò può comportare la perdita della vista.
- Non causare il cortocircuito della cartuccia della batteria.
 - (1) Non toccare i terminali con materiale da conduzione.
 - (2) Evitare di conservare la batteria in un contenitore con altri oggetti metallici come chiodi, monete, ecc.
 - (3) Non esporre la batteria all'acqua o alla pioggia. Un cortocircuito della batteria può causare un grande flusso di corrente, surriscaldamento, possibili ustioni e persino un guasto.
- Non conservare e usare l'apparecchio e la cartuccia della batteria in luoghi dove la temperatura può raggiungere o superare i 50 °C (122 °F).
- Non incenerire la batteria anche se gravemente danneggiata o completamente esaurita. La batteria può esplodere in caso di incendio.
- Non inchiodare, tagliare, frantumare, schiacciare, lanciare, far cadere la cartuccia della batteria o colpire la cartuccia della batteria con un oggetto duro. Ciò può provocare un incendio, un calore eccessivo o un'esplosione.
- Non utilizzare una batteria danneggiata.

- Le batterie agli ioni di litio sono soggette ai requisiti della legislazione sulle merci pericolose. Per i trasporti commerciali, ad esempio da parte di terzi, spedizionieri, devono essere rispettati i requisiti speciali per l'imballaggio e l'etichettatura. Per la preparazione dell'articolo da spedire è necessario consultare un esperto di materiali pericolosi. Si prega di osservare anche le eventuali disposizioni nazionali più dettagliate. Coprire con un nastro adesivo i contatti scoperti e imballare la batteria in modo tale che non possa muoversi nell'imballaggio.
- Quando viene smaltita la cartuccia della batteria, toglierla dall'apparecchio e gettarla in un luogo sicuro. Seguire le normative locali relative allo smaltimento della batteria.
- Utilizzare le batterie solo con i prodotti indicati da Makita. L'installazione delle batterie su prodotti non conformi può provocare incendi, eccessivo calore, esplosione o perdita di elettrolita.
- Se l'utensile non viene utilizzato per un lungo periodo di tempo, la batteria deve essere rimossa dall'utensile.
- Durante e dopo l'uso, la cartuccia della batteria può assumere calore che può causare ustioni o ustioni a bassa temperatura. Prestare attenzione alla manipolazione delle cartucce a batteria calda.
- Non toccare il terminale dell'utensile subito dopo l'uso perché potrebbe diventare abbastanza caldo da causare ustioni.
- Non lasciare che schegge, polvere o sporizia si incastrino nei terminali, nei fori e nelle scanalature della cartuccia della batteria. Ciò può comportare prestazioni scadenti o il guasto dell'utensile o della cartuccia della batteria.
- A meno che l'utensile non supporti l'uso in prossimità di linee elettriche ad alta tensione, non utilizzare la cartuccia della batteria in prossimità di linee elettriche ad alta tensione. Ciò può comportare malfunzionamenti o il guasto dell'utensile o della cartuccia della batteria.
- Tenere la batteria lontano dai bambini.

CONSERVARE LE PRESENTI ISTRUZIONI.

⚠ AVVERTENZA: Utilizzare solo batterie originali Makita. L'uso di batterie non originali Makita, o di batterie che sono state alterate, può provocare lo scoppio della batteria causando incendi, lesioni, personali e danni. Si annulla anche la garanzia Makita per l'utensile e il caricabatterie Makita.

Suggerimenti per mantenere la massima durata della batteria

1. Caricare la cartuccia della batteria prima di scaricarla completamente. Spegnerne sempre dell'apparecchio e ricaricare la cartuccia della batteria quando l'apparecchio mostra un calo di potenza.
2. Non ricaricare mai una batteria completamente carica. Una carica eccessiva riduce la durata della batteria.
3. Caricare la batteria a temperatura ambiente a 10 °C - 40 °C (50 °F - 104 °F). Lasciare raffreddare una batteria calda prima di caricarla.
4. Quando non si utilizza la cartuccia della batteria, rimuoverla dall'apparecchio o dal caricabatterie.
5. Caricare la cartuccia della batteria se non viene utilizzata per un lungo periodo (più di sei mesi).

DESCRIZIONE FUNZIONALE

⚠ AVVERTENZA: Prima di regolare o controllare le funzioni dell'apparecchio, assicurarsi sempre che l'apparecchio sia spento e che la cartuccia della batteria sia stata rimossa.

Installazione o rimozione della cartuccia della batteria (Fig. 1)

⚠ AVVERTENZA: Spegnerne sempre l'apparecchio prima di rimuovere la cartuccia della batteria.

⚠ AVVERTENZA: Tenere saldamente sia l'apparecchio sia la cartuccia della batteria durante l'inserimento o la rimozione della cartuccia. Se l'apparecchio e la cartuccia della batteria non sono tenuti saldamente possono scivolare dalle mani e provocare danni sia all'apparecchio sia alla cartuccia, e anche lesioni personali.

Per rimuovere la cartuccia della batteria, farla scorrere dall'utensile facendo scorrere il pulsante sulla parte anteriore della cartuccia. Per installare la cartuccia della batteria, allineare la linguetta presente sulla cartuccia con la scanalatura dell'alloggiamento e inserirla in posizione. Inserirlo completamente fino a quando non si blocca in posizione con un piccolo clic. Se è visibile l'indicatore rosso come viene mostrato in figura, non è bloccato in maniera completa.

⚠ AVVERTENZA: Installare sempre batteria completamente fino a quando l'indicatore rosso non è visibile. In caso contrario, la cartuccia potrebbe accidentalmente fuoriuscire dall'apparecchio, causando lesioni a lei o alle persone che le stanno attorno.

⚠ AVVERTENZA: Non installare la cartuccia della batteria con la forza. Se la cartuccia non scorre facilmente, non viene inserita correttamente.

Indicazione della carica residua della batteria (Fig. 2)

Premere il pulsante di controllo sulla cartuccia della batteria per indicare la capacità residua della batteria. Le spie si accendono per alcuni secondi.

Spie luminose			Capacità residua
Illuminato	Spento	Lampeggiante	
			dal 75 % al 100 %.
			dal 50 % al 75 %.
			dal 25 % al 50 %.
			dal 0 % al 25 %.
			Caricare la batteria.
			La batteria potrebbe non funzionare correttamente.

NOTA: A seconda delle condizioni d'uso della temperatura ambiente, l'indicazione può differire leggermente dalla capacità effettiva.

NOTA: La prima spia (all'estrema sinistra) si accenderà quando il sistema di protezione della batteria funziona.

Accensione della luce (Fig. 3)

⚠ AVVERTENZA: Non guardare la luce o la fonte luminosa in modo diretto.

Premere l'interruttore per accendere la luce. Per spegnere la luce, premere nuovamente l'interruttore.

NOTA: L'apparecchio si accende con la stessa modalità dell'ultima impostazione.

Selezione della modalità

Mentre la luce è accesa, premere il pulsante **MODALITÀ** per scorrere tra le varie impostazioni **spot**, **flood** e **spot + flood**.

Attivazione della luce stroboscopica (Fig. 4)

Premere e tenere premuto il pulsante **MODALITÀ** fino a quando l'apparecchio non si trova in modalità **stroboscopica**. Per disattivare la modalità **stroboscopica**, è sufficiente premere il pulsante **MODALITÀ**.

Sistema di protezione dell'apparecchio / batteria

L'apparecchio è dotato di un sistema di protezione che interrompe automaticamente la potenza di uscita per assicurare una lunga durata di servizio.

Protezione da sovraccarico (Fig. 5)

Quando la capacità della batteria presenta una riduzione, le luci LED si spengono tranne un LED. Dopo circa cinque o dieci minuti, il sistema si spegne automaticamente.

Protezioni da altre cause

Il sistema di protezione è stato progettato anche per altre cause che potrebbero danneggiare l'apparecchio e permette l'arresto in automatico dell'apparecchio. Seguire tutti i seguenti passaggi per eliminare le cause dell'arresto temporaneo dell'apparecchio o dell'arresto dell'operazione.

1. Spegnerne l'apparecchio, dopo di che riaccenderlo per riavviarlo nuovamente.
2. Caricare la/e batteria/e o sostituirla/e con batteria/e ricaricata/e.
3. Lasciare che l'apparecchio e la/e batteria/e si raffreddino. Se ripristinando il sistema di protezione non vi è alcun miglioramento, contattare il Centro di Assistenza Makita locale.

Inclinazione della testa (Fig. 6)

⚠ AVVERTENZA: Quando si modifica l'inclinazione della testa, prestare attenzione a non pizzicarsi le dita tra la testa e il corpo dell'apparecchio.

Possibilità di regolare l'inclinazione della testa in 4 posizioni.

Gancio (Fig. 7)

⚠ AVVERTENZA: Quando si solleva il gancio, prestare attenzione a non pizzicarsi le dita tra il gancio e il corpo dell'apparecchio.

Tracolla (Fig. 8)

La tracolla può essere agganciata con clip a entrambe le estremità.

⚠ AVVERTENZA: Non usare l'anello per altri scopi se non per appendere l'apparecchio. Altrimenti si potrebbero verificarsi delle lesioni personali.

MANUTENZIONE

⚠ AVVERTENZA: Prima di procedere a qualsiasi controllo o manutenzione, assicurarsi sempre che l'apparecchio sia spento e che la cartuccia della batteria sia stata rimossa.

AVVISO: Non utilizzare mai benzina, benzina, benzina, diluenti, alcool o simili. Possono verificarsi scolorimento, deformazioni o crepe.

Per mantenere la SICUREZZA e l'AFFIDABILITÀ del prodotto, le riparazioni, la manutenzione o la regolazione devono essere eseguite presso Centri di assistenza locale o autorizzati Makita, utilizzando sempre parti di ricambio Makita.

ACCESSORI OPZIONALI

⚠ AVVERTENZA: Questi accessori o aggiunte sono raccomandati per essere utilizzati con l'apparecchio Makita specificato in questo manuale. L'uso di qualsiasi altro accessorio o accessorio può comportare il rischio di lesioni alle persone. Utilizzare l'accessorio o l'accessorio o l'accessorio solo per lo scopo dichiarato.

Se è necessaria assistenza per ulteriori informazioni su questi accessori, rivolgersi al Centro di assistenza locale Makita.

- Batteria e caricabatterie originali Makita.

NOTA: Alcuni elementi della lista possono essere inclusi nel pacchetto dell'apparecchio come accessori standard. Possono differire da paese a paese.

NEDERLANDS (Originele instructies)

Uitleg van algemeen aanzicht

- | | | | |
|-------------------------|-----------------|----------------------|----------|
| 1. Batterijpatroon | 5. Controleknop | 9. Stand Spot +Flood | 13. Klem |
| 2. Rode indicator | 6. Aan/uit-knop | 10. Stand Spot | |
| 3. Batterijvrijgaveknop | 7. Knop MODE | 11. Haak | |
| 4. Indicatielampjes | 8. Stand Flood | 12. Schouderriem | |

SPECIFICATIES

Model	ML007G
LED	Spot: 1 stuk / Flood: 16 stukken. (Strobe: 17 stukken.)
Afmetingen (L × B × H)	323 mm × 120 mm × 118 mm
Nominale spanning	DC 36 V - 40 V max.
Nettogewicht (zonder batterijpatroon en schouderriem)	0,95 kg

- Omdat wij een programma van voortdurend onderzoek en ontwikkeling uitvoeren kunnen de specificaties die hierin worden vermeld, zonder voorafgaande kennisgeving worden gewijzigd.
- Specificaties kunnen van land tot land verschillen.
- De afmetingen zijn met BL4025 en met het hoofd naar vooruit gericht.

Geschikte batterijpatroon en lader

Batterijpatroon	BL4020 / BL4025 / BL4040 / BL4050F / BL4080F
Lader	DC40RA / DC40RB / DC40RC

- Enkele van de batterijpatronen die hierboven worden vermeld, zullen afhankelijk van uw geografische locatie of woonplaats misschien niet verkrijgbaar zijn.

⚠ WAARSCHUWING: Gebruik alleen de hierboven vermelde batterijpatronen en opladers. Het gebruik van andere batterijpatronen en laders kan letsel en/of brand veroorzaken.

Bedrijfstijd

Batterijpatroon	Bedrijfstijd (Bij benadering)			
	Spot	Flood	Spot + Flood	Strobe
BL4020	5,0 uur	5,0 uur	3,5 uur	5,0 uur
BL4025	6,5 uur	6,5 uur	4,5 uur	6,5 uur
BL4040	10 uur	10 uur	7,5 uur	10 uur
BL4050F	13 uur	13 uur	9,5 uur	13 uur
BL4080F	22 uur	22 uur	16 uur	22 uur

- De bedrijfstijden in de bovenstaande tabel zijn een ruwe richtlijn. Zij kunnen verschillen van de werkelijke bedrijfstijden.
- Bedrijfstijden kunnen verschillen afhankelijk van batterijtype, laadstatus en gebruiksconditie.
- Batterijpatroon kan van land tot land verschillen.

Symbolen

Hieronder worden de symbolen getoond die voor de apparatuur worden gebruikt. Het is belangrijk dat u hiervan de betekenis begrijpt vóór gebruik.



- Lees de instructiehandleiding



- Alleen voor gebruik binnenshuis



- Uitsluitend voor EU-landen
- Vanwege de aanwezigheid van de gevaarlijke onderdelen in de apparatuur kunnen het elektrische afval en elektronische apparatuur, accu's en batterijen een negatieve invloed hebben op het milieu en de menselijke gezondheid.

Gooi geen elektrische en elektronische apparaten of batterijen met huishoudelijk afval!

In overstemming met de Europese Richtlijn over het elektrische afval en elektronische apparatuur, accu's en batterijen en afgedankte accu's en batterijen, alsmede hun aanpassing aan de nationale wetten, zullen elektrische afval en elektronische apparatuur, batterijen en accu's apart worden opgeslagen en worden afgeleverd bij een afzonderlijk inzamelpunt voor stedelijk afval, die in overeenstemming met de voorschriften betreffende milieubescherming moeten zijn.

Dit wordt getoond door het symbool van de doorgestreepte wielenbak die op de apparatuur wordt geplaatst.



- Optische Straling (UV en IR).
Beperk blootstelling van ogen of huid zoveel mogelijk.



- Kijk niet in de werkende lamp.



- Gebruik geschikte afscherming of oogbescherming.



- Wees bijzonder zorgvuldig en oplettend!

VEILIGHEIDSWAARSCHUWINGEN

BELANGRIJKE VEILIGHEIDSINSTRUCTIES

⚠ WAARSCHUWING: Wanneer elektrische gereedschap gebruikt moeten altijd elementaire veiligheidsmaatregelen worden gevolgd zodat het risico van brand, elektrische schok en persoonlijk letsel wordt voorkomen, inclusief:

LEES ALLE INSTRUCTIES.

1. Kijk niet in het licht, richt het licht niet op ogen. Ogen kunnen beschadigd raken.
2. Bedek de lamp niet met een doek of karton e.d. Anders zou dit brand kunnen veroorzaken.
3. Het apparaat is niet waterbestendig. Gebruik het niet op vochtige of natte locaties. Stel het niet bloot aan regen of sneeuw. Was het niet in water.
4. Raak de binnenzijde van het apparaat niet aan met een tang, metalen gereedschap, enz.
5. Schakel het apparaat altijd uit wanneer het niet in gebruik is en haal de batterijpatroon uit het apparaat.
6. Stoot het apparaat niet en laat het niet vallen, enz.
7. Veiligheidsinformatie voor draagbare armaturen met batterijen.
 - De batterijen moeten worden verwijderd conform de plaatselijke voorschriften die betrekking hebben op de verwijdering van gevaarlijke stoffen.
 - Verbrand de batterij niet.
8. Aanvullende informatie voor armaturen.
 - De bron van het licht van deze armatuur is niet vervangbaar; wanneer de bron van het licht het einde van zijn levensduur bereikt, moet de gehele armatuur worden vervangen.
9. Gebruik en verzorging van de batterij.
 - **WAARSCHUWING:** Lees alle veiligheidswaarschuwingen en instructies. Het niet opvolgen van de waarschuwingen en instructies kan leiden tot elektrische schokken, brand en/of ernstig letsel.
 - Zorg ervoor dat het apparaat niet onbedoeld kan worden ingeschakeld. Controleer dat de schakelaar in de uit-stand staat, voordat u de batterij aansluit, of het apparaat oppakt of draagt. Het apparaat dragen met uw vinger op de schakelaar of de batterij plaatsen in en apparaat dat is ingeschakeld, leidt tot ongelukken.
 - Koppel de batterij los van het apparaat voordat u wijzigingen aanbrengt, accessoires wisselt of het apparaat opbergt. Dergelijke preventieve veiligheidsmaatregelen beperken het risico dat het apparaat per ongeluk wordt ingeschakeld.
 - Laad alleen op met de lader die door de fabrikant wordt genoemd. Een lader die geschikt is voor het ene type batterij kan een risico van de hand geven bij gebruik met een andere batterij.
 - Gebruik apparaten uitsluitend met de speciaal aangeduide batterij's. Gebruik van andere batterij's kan een risico geven van letsel en brand.
 - Bewaar een batterij, wanneer u deze niet gebruikt, op enige afstand van andere metalen voorwerpen zoals paperclips, munten, sleutels, spijkers, schroeven of andere kleine metalen voorwerpen die een verbinding van de ene pool met de andere tot stand kunnen brengen. Wanneer kortsluiting ontstaat tussen de polen van de batterij kan dat brandwonden of brand veroorzaken.

- Wanneer de batterij ruw wordt behandeld kan er vloeistof uit komen; vermijd contact hiermee. Als u per ongeluk deze vloeistof aanhaakt, spoel dan met water. Komt de vloeistof in contact met uw ogen, roep dan onmiddellijk medische hulp in. Vloeistof die uit de batterij komt kan irritatie of brandwonden veroorzaken.
- Gebruik niet batterij's of apparaten die zijn beschadigd of waaraan wijzigingen zijn aangebracht. Beschadigde of gewijzigde batterij's kunnen onvoorspelbaar gedrag vertonen wat kan leiden tot brand, explosie of een risico van letsel.
- Stel een batterij of apparaat niet bloot aan brand of uitzonderlijk hoge temperaturen. Blijftelling aan brand of een temperatuur boven 130 °C (265 °F) kan een explosie tot gevolg hebben.
- Volg alle instructies voor het laden en laad de batterij of het apparaat niet op buiten het temperatuurbereik dat in de instructies wordt vermeld. Het op onjuiste wijze laden of laden buiten het opgegeven temperatuurbereik kan de batterij beschadigen en het risico van brand doen toenemen.
- Laat servicewerkzaamheden uitvoeren door een gekwalificeerde reparateur die alleen identieke vervangende onderdelen gebruikt. Dit garandeert dat de veiligheid van het product wordt gehandhaafd.
- Breng geen wijzigingen in het apparaat of de batterij aan en probeer het niet te repareren, behalve als dat wordt aangegeven in de instructies voor gebruik en onderhoud.
- Voor de lithium-ion batterij's geldende eisen van de Wetgeving Gevaarlijke Goederen. Voor commerciële transporten, bijvoorbeeld door externe partijen, expediteurs, moeten speciale verpakkingseisen en de labeling in acht worden genomen. Vraag bij de voorbereiding van verzending van een item het advies van een expert op het gebied van gevaarlijke materialen. Neem ook nationaal van kracht zijnde meer gedetailleerde voorschriften in acht. Open contactpunten afdekken met tape of op andere wijze en verpak de batterij zo dat deze zich niet kan verplaatsen in de verpakking.
- Verwijder de batterij, wanneer u deze wegdoet, uit het apparaat en kies een veilige plaats voor de afvalverwerking. Volg de lokale voorschriften voor de afvalverwerking van batterij's.
- Gebruik de batterij's uitsluitend in de producten die door Makita worden aangeduid. Wanneer u de batterij's in producten plaatst die daarvoor niet geschikt zijn, kan dat brand, uitzonderlijke warmteontwikkeling, explosie of lekkage van elektrolyt tot gevolg hebben.
- Als het gereedschap gedurende lange tijd niet wordt gebruikt, moet u de batterij uit het gereedschap halen.
- Tijdens en na gebruik kan de batterijpatroon warmte opnemen die brandwonden of brandwonden bij lage temperatuur kan veroorzaken. Wees voorzichtig bij de omgang met hete batterijpatronen.
- Raak de klem van het gereedschap niet direct na gebruik aan, want het kan heet genoeg worden om brandwonden te veroorzaken.
- Zorg ervoor dat er geen schilfers, stof of aarde in de polen, gaten en groeven van de batterijpatroon terechtkomen. Dit kan leiden tot slechte prestaties of uitval van het gereedschap of de batterijpatroon.
- Tenzij het gereedschap het gebruik in de buurt van hoogspanningsleidingen ondersteunt, mag u de batterijpatroon niet in de buurt van hoogspanningsleidingen gebruiken. Dit kan leiden tot een defect of uitval van het gereedschap of de batterijpatroon.
- Houd de batterij uit de buurt van kinderen.

Belangrijke veiligheidsinstructies voor de batterijpatroon

- lees, voordat u de batterijpatroon gebruikt, alle instructies en markeringen op (1) de batterijlader, (2) de batterij en (3) het product dat de batterij gebruikt.
- De batterijpatroon niet demonteren of bewerken. Dit kan brand, uitzonderlijke warmteontwikkeling of explosie tot gevolg hebben.
- Als de bedrijfstijd aanzienlijk korter is geworden, stop dan onmiddellijk met het gebruik van het product. Doet u dat niet, dan kan dat oververhitting tot gevolg hebben, mogelijke brandwonden en zelfs een explosie.
- Mocht er elektrolyt in uw ogen terechtkomen, spoel uw ogen dan uit met helder water en roept onmiddellijk medische hulp in. Het kan resulteren in gezichtsvermogenverlies.
- Sluit de batterijpatroon niet kort.
- (1) Raak de polen niet aan met een geleidend materiaal.
- (2) Berg de batterijpatroon niet op in een container met andere metalen voorwerpen, zoals spijkers, munten, enz.
- (3) Stel de batterijpatroon niet bloot aan water of regen. Kortsluiting van een batterij kan leiden tot een grote elektrische stroom, oververhitting mogelijke brandwonden en zelfs storing van het apparaat.
- Bewaar en gebruik het gereedschap en de batterijpatroon niet op plaatsen waar de temperatuur 50 °C (122 °F) kan bereiken of overschrijden.
- Gooi de batterijpatroon niet in het vuur, zelfs niet als deze ernstig is beschadigd of volledig is uitgeput. De batterijpatroon kan exploderen in vuur.
- In de batterijpatroon niet spijkeren, knippen of deze verpletteren, ermee gooien, laten vallen of er met een hard voorwerp op slaan. Dit kan brand, uitzonderlijke warmteontwikkeling of explosie tot gevolg hebben.
- Gebruik niet een beschadigde batterij.

BEWAAR DEZE INSTRUCTIES

▲ LET OP: Gebruik alleen originele Makita-batterijen. Gebruik van niet-oorspronkelijke batterijen van Makita, of van batterijen waaraan veranderingen zijn aangebracht, kan ertoe leiden dat de batterij openbarst, wat brand, persoonlijk letsel en schade kan veroorzaken. Ook zal hierdoor de Makita-garantie voor het Makita-gereedschap en de lader komen te vervallen.

Tips voor een maximale levensduur van de batterij

1. Laad de batterij op voordat deze volledig is ontladen. Stop altijd de werking van het gereedschap en laad de batterijpatroon op wanneer u merkt dat het gereedschap minder vermogen heeft.
2. Laad nooit een volledig opgeladen batterijpatroon op. Door de batterij teveel op te laden, verkort u de levensduur van de batterij.
3. Laad de batterijpatroon op bij een kamertemperatuur van 10 °C - 40 °C (50 °F - 104 °F). Laet een batterijpatroon afkoelen voordat u deze oplaadt.
4. Verwijder de batterijpatroon uit het apparaat of de lader wanneer u deze niet gebruikt.
5. Laad de batterijpatroon op als u deze gedurende een lange tijd niet gebruikt (meer dan zes maanden).

FUNCTIONELE BESCHRIJVING

⚠ LET OP: Let er altijd op dat het gereedschap is uitgeschakeld en de batterijpatroon is verwijderd, voor u de werking van het gereedschap aanpast of controleert.

De batterijpatroon plaatsen en uitnemen (Fig. 1)

⚠ LET OP: Schakel altijd het gereedschap uit voor u de batterijpatroon uitneemt.

⚠ LET OP: Houd het gereedschap en de batterijpatroon stevig vast wanneer u de batterijpatroon plaatst of installeert. Houdt u het gereedschap en de batterijpatroon niet stevig vast dan kunnen zij uit uw handen glijpen en dat kan leiden tot beschadiging van het gereedschap en de batterijpatroon en persoonlijk letsel.

U kunt de batterijpatroon uitnemen door deze uit het gereedschap te schuiven terwijl u de knop aan de voorzijde van de patroon verschuift. Plaats de batterijpatroon door de lip van de batterijpatroon tegenover de groef in de behuizing te houden en de patroon op z'n plaats te schuiven. Schuif de patroon zo ver mogelijk in het vak tot u een lichte klik hoort. Als u de rode indicator kunt zien in de afbeelding zoals getoond, betekent dat het niet volledig is vergrendeld.

⚠ LET OP: Plaats de batterijpatroon altijd zo ver dat u de rode indicator niet meer kunt zien. Doet u dat niet, dan kan de batterijpatroon uit het gereedschap vallen en u of iemand bij u verwonden.

⚠ LET OP: Gebruik geen geweld bij het plaatsen van de batterijpatroon. Als u de patroon niet gemakkelijk naar binnen kunt schuiven, plaatst u de batterij niet op juiste wijze.

Aanduiding van de resterende batterijcapaciteit (Fig. 2)

Druk op de controleknop op de batterijpatroon zodat u kunt zien hoeveel capaciteit de batterij nog heeft. De indicatielampjes lichten enkele seconden op.

Indicatielampjes			Resterende capaciteit
Brandend	Uit	Knipperend	
			75 % tot 100 %
			50 % tot 75 %
			25 % tot 50 %
			0 % tot 25 %
			Laad de batterij op.
			Misschien is er storing in de batterij opgetreden.

NB: Afhankelijk van de gebruikscondities en de omgevingstemperatuur kan de aanleiding wat afwijken van de werkelijke capaciteit.

NB: Het eerste (uiterst linkse) indicatielampje licht op wanneer het beschermingssysteem van de batterij werkt.

De lamp aansteken (Fig. 3)

⚠ LET OP: Kijk niet in de lamp of direct in de lichtbron.

U schakelt de lamp in door op de knop Power (Aan/Uit) te drukken. U schakelt de lamp uit door nogmaals op de knop Power te drukken.

NB: Het apparaat wordt ingeschakeld in de laatste ingeschakelde stand.

De stand selecteren

Druk terwijl de lamp brandt, op de knop **MODE** en doorloop de instellingen **spot**, **flood** en **spot + flood**.

De instelling Strobe inschakelen (Fig. 4)

Houd de knop **MODE** ingedrukt tot het apparaat de stand **Strobe** bereikt. U kunt de stand **Strobe** inschakelen door op de knop **MODE** te drukken.

Apparaat / batterij beveiligingssysteem

Het apparaat is uitgerust met een beveiligingssysteem dat het gereedschap uitschakelt voor een langere levensduur.

Bescherming tegen over ontladen (Fig. 5)

Wanneer de batterijcapaciteit laag wordt, zetten de LED lichten uit behalve een LED. Vervolgens schakelt het systeem zo'n vijf tot tien minuten later het apparaat uit.

Beschermingen tegen andere oorzaken.

Het beschermingssysteem wordt ook ontworpen voor andere oorzaken die het apparaat kunnen beschadigen en laat het apparaat automatisch stoppen. Neem alle volgende stappen om de oorzaken te verwijderen, wanneer het apparaat wordt gebracht tot tijdelijk stilstand of verstopt tijdens het uitvoeren.

- Schakel het apparaat uit en dan schakel het aan nogmaals om het opnieuw te starten.
- Oplaad de batterij(en) of vervang het/hun met opgeladen batterij(en).
- Laat het apparaat en batterij(en) verkoeld worden. Als geen bevordering kunt gevonden worden door het gestort beschermingssysteem, dan neemt u contact met lokaal Makita Authorized Service Center.

Hoek van de kop (Fig. 6)

⚠ LET OP: Let er, wanneer u de hoek van de kop wijzigt, goed op dat u niet uw vingers klemt tussen de kop en de behuizing van het gereedschap.

De hoek van de kop kan in 4 stappen worden aangepast.

Haak (Fig. 7)

⚠ LET OP: Let er, wanneer u de haak omhoog haalt, goed op dat u uw vingers niet klemt tussen de haak en de behuizing van het gereedschap.

Schouderriem (Fig. 8)

De schouderriem kan met de klemmen aan beide uiteinden worden geplaatst.

⚠ LET OP: Gebruik de ring niet voor enige andere doel ander dan het ophangen van het apparaat. Anders kan persoonlijk letsel gebeuren.

ONDERHOUD

⚠ LET OP: Let er altijd op dat het gereedschap is uitgeschakeld en de batterijpatroon is uitgenomen, voor u het gereedschap inspecteert of er onderhoud aan verricht.

KENNISGEVING: Gebruik nooit dieselolie, wasbenzine, ververdunner of alcohol of iets dergelijks. Dat zou kunnen leiden tot verkleuring, vervorming of het ontstaan van scheuren.

Om te waarborgen dat de VEILIGHEID en BETROUWBAARHEID van het gereedschap behouden blijven moeten reparaties, eventuele andere onderhouds- of aanpassingswerkzaamheden worden uitgevoerd door Makita Authorized Service Centers of servicecentra van de fabriek, waarbij altijd vervangende onderdelen van Makita worden gebruikt.

OPTIONELE ACCESSOIRES

⚠ LET OP: Deze accessoires en hulpstukken worden aanbevolen voor gebruik met het Makita-gereedschap dat in de handleiding wordt genoemd. Het gebruik van andere accessoires of hulpstukken kan een risico van letsel voor personen geven. Gebruik het accessoire of hulpstuk uitsluitend voor het aangegeven doel.

Heeft u hulp nodig en meer informatie over deze accessoires, neem dan contact op met het Makita Service Centre ter plaatse.

- Oorspronkelijk Makita-batterij en -lader.

NB: Bepaalde items in de lijst kunnen onderdeel uitmaken van het gereedschapspakket en kunnen standaard-accessoires zijn. Welke items dat zijn, kan van land tot land verschillen.

ESPAÑOL (Instrucciones originales)

Explicación de la visión general

- | | | | |
|--------------------------------------|--------------------------|------------------------------|---------------|
| 1. Cartucho de batería | 4. Luces del indicador | 8. Modo de inundación | 12. Correa |
| 2. Indicador rojo | 5. Botón de verificación | 9. Spot + Modo de inundación | 13. Sujetador |
| 3. Botón de extracción de la batería | 6. Botón de encendido | 10. Modo spot | |
| | 7. Botón de MODO | 11. Gancho | |

ESPECIFICACIONES

Modelo	ML007G
LED	Spot: 1 pza. /Inundación: 16 pzas. (Estrobo: 17 pzas.)
Dimensiones (L × A × A)	323 mm × 120 mm × 118 mm
Tensión nominal	D.C. 36 V- 40 V máx.
Peso neto (sin cartucho de batería ni correa)	0,95 kg

- Debido a nuestro continuo programa de investigación y desarrollo, las especificaciones indicadas aquí están sujetas a cambio sin previo aviso.
- Las especificaciones pueden variar de un país a otro.
- Las dimensiones son con BL4025 y con la cabeza mirando hacia enfrente.

Cartucho y cargador de batería aplicables

Cartucho de batería	BL4020 / BL4025 / BL4040 / BL4050F / BL4080F
Cargador	DC40RA / DC40RB / DC40RC

- Puede que algunos de los cartuchos de batería mencionados no se encuentren disponibles dependiendo de su ubicación.

⚠ ADVERTENCIA: Solo utilice los cartuchos de batería y cargadores enlistados anteriormente. El uso de otros cartuchos y cargadores de batería puede causar lesiones y/o incendios.

Tiempo de funcionamiento

Cartucho de batería	Tiempo de funcionamiento (aproximado)			
	Spot	Inundación	Spot + inundación	Estrobo
BL4020	5,0 horas	5,0 horas	3,5 horas	5,0 horas
BL4025	6,5 horas	6,5 horas	4,5 horas	6,5 horas
BL4040	10 horas	10 horas	7,5 horas	10 horas
BL4050F	13 horas	13 horas	9,5 horas	13 horas
BL4080F	22 horas	22 horas	16 horas	22 horas

- Los tiempos de funcionamiento mencionados en la tabla anterior son una guía aproximada. Pueden variar de los tiempos de funcionamiento reales.
- Los tiempos de funcionamiento pueden variar dependiendo del tipo de batería, el estado de la carga y las condiciones de uso.
- El cartucho de batería puede variar de un país a otro.

Símbolos

A continuación, se detallan los símbolos aplicables a este dispositivo. Asegúrese de comprender su significado antes del uso.



- Lea el manual de instrucciones



- Solo para uso en interiores



- Apto solo para países de la UE
Debido a la presencia de componentes dañinos en el equipo, desechos eléctricos y equipo electrónico, acumuladores y baterías pueden tener un impacto negativo en el ambiente y en la salud humana.

No deseché aparatos eléctricos y electrónicos o baterías con los desechos del hogar.

De acuerdo con la Directiva Europea sobre desechos eléctricos y equipo electrónico y sobre acumuladores y baterías y desechos de acumuladores y baterías, como también de acuerdo con su adaptación a la ley nacional, los desechos de equipo electrónico, baterías y acumuladores deben ser almacenados separadamente y entregados a un punto de recolección separado por desecho municipal, operando de acuerdo con las regulaciones de protección ambiental.

Esto está indicado por el símbolo del contenedor con ruedas tachado colocado en el equipo.



- Radiación óptica (UV e IR).
Reduzca la exposición a los ojos o la piel.



- No mire fijamente la lámpara mientras esté funcionando.



- Utilice las protecciones para ojos apropiadas.



- ¡Tenga especial cuidado y atención!

ADVERTENCIAS DE SEGURIDAD

INSTRUCCIONES DE SEGURIDAD IMPORTANTES

⚠ ADVERTENCIA: Siempre que se usen herramientas eléctricas se deben tomar medidas básicas de seguridad para reducir el riesgo de incendio, una descarga eléctrica y lesiones, incluyendo las siguientes:

LEA TODAS LAS INSTRUCCIONES.

1. No mire la luz fijamente, o no exponga sus ojos a la luz. Sus ojos pueden dañarse.
2. No cubra la luz con trapos, cartones, etc. Esto puede generar una flama.
3. El dispositivo no es resistente al agua. No la use en lugares húmedos o mojados. No la exponga a la lluvia o nieve. No la lave con agua.
4. No toque el interior del dispositivo con pinzas, herramientas de metal, etc.
5. Apague y extraiga el cartucho de batería siempre que no esté utilizando el dispositivo.
6. No maltrate el dispositivo dejándolo caer, golpeándolo, etc.
7. Información de seguridad para linternas portátiles con baterías.
 - Al desechar la batería, se debe cumplir con las regulaciones locales que abordan la eliminación de materiales peligrosos.
 - No incinere la batería.
8. Información adicional para linternas.
 - La fuente de luz de esta linterna no es reemplazable, cuando la fuente de luz alcanza el fin de su vida útil la linterna deberá ser reemplazada completamente.
9. Uso y cuidado de la batería.
 - **ADVERTENCIA:** Lea todas las advertencias de seguridad y las instrucciones. El incumplimiento de las advertencias e instrucciones puede provocar descargas eléctricas, incendio y/o lesiones graves.
 - Evite el encendido accidental. Asegúrese que el interruptor esté en la posición de apagado antes de conectar el dispositivo a la batería, tomarla o transportarla. Transportar el dispositivo con los dedos sobre el interruptor o suministrar corriente a un dispositivo encendido puede ocasionar accidentes.
 - Desconecte la batería antes de realizar cualquier ajuste, cambio de accesorios o guardar el dispositivo. Estas medidas preventivas de seguridad reducen el riesgo de encendido accidental del dispositivo.
 - Recargue únicamente con el cargador especificado por el fabricante. Un cargador apropiado para cierto tipo de paquete de batería puede ocasionar riesgo de incendio si se utiliza con otro paquete de batería.
 - Utilice los dispositivos únicamente con los cartuchos de batería diseñados específicamente para éstos. El uso de otros paquetes de batería puede resultar en lesiones o incendios.

- Cuando no esté en uso, mantenga la batería alejada de objetos metálicos como clips, monedas, llaves, clavos, tornillos o cualquier otro objeto metálico pequeño que pudiese crear una conexión entre las terminales. Causar un cortocircuito en las terminales de la batería puede ocasionar quemaduras o incendios.
- Bajo condiciones de maltrato, la batería puede expulsar líquido; evite el contacto. En caso de contacto accidental, enjuague con agua. Si el líquido toma contacto con los ojos busque atención médica. El líquido expulsado de la batería puede causar irritación o quemaduras.
- No utilice paquetes de baterías o dispositivos dañados o modificados. Las baterías dañadas o modificadas pueden funcionar de manera impredecible, ocasionando incendios, explosiones o riesgo de lesiones.
- No exponga la batería al fuego o temperaturas excesivas. La exposición al fuego o temperaturas superiores a 130 °C (265 °F) pueden causar una explosión.
- Siga las instrucciones de carga y evite cargar la batería o el dispositivo fuera del rango de temperatura especificado en las instrucciones. La carga incorrecta o bajo temperaturas más allá del rango especificado puede dañar la batería e incrementar el riesgo de incendios.
- Las reparaciones deben llevarlas a cabo personas cualificadas y utilizando únicamente piezas de recambio idénticas. Esto asegurará que se mantenga la seguridad del producto.
- No intente modificar o reparar el dispositivo o el paquete de batería salvo como se indica en las instrucciones de uso y mantenimiento.

Instrucciones importantes de seguridad para el cartucho de batería

- Antes de utilizar la batería asegúrese de leer todas las instrucciones y símbolos de precaución en (1) el cargador de baterías, (2) la batería y (3) el producto que utiliza la batería.
 - No desarme ni manipule el cartucho de batería. Puede ocasionar incendios, sobrecalentamiento o explosiones.
 - Si el tiempo de funcionamiento se ha reducido excesivamente, detenga la operación de inmediato. Puede haber riesgo de sobrecalentamiento, quemaduras e incluso explosión.
 - Si llega a entrar electrolito en sus ojos, enjuáguelos con agua limpia y solicite asistencia médica de inmediato. Puede ocasionar pérdida de la vista.
 - No cause un cortocircuito en el cartucho de batería.
- (1) No haga contacto entre las terminales y materiales conductores.
 - (2) Evite almacenar el cartucho de batería en un contenedor junto con otros objetos metálicos, tales como clavos, monedas, etc.

- (3) No exponga el cartucho de batería al agua o la lluvia. Un cortocircuito en la batería puede ocasionar un gran flujo de corriente, sobrecalentamiento, posibles quemaduras e incluso averías.
- No guarde ni use la herramienta y el cartucho de batería en lugares donde la temperatura pueda alcanzar o exceder 50 °C (122 °F).
 - No incinere el cartucho de batería incluso si ha sido seriamente dañado o si se ha agotado completamente. El cartucho de batería puede explotar si se expone al fuego.
 - No clave, corte, destruya, arroje, deje caer el cartucho de batería ni golpee el cartucho de batería contra un objeto duro. Tales acciones pueden ocasionar incendios, sobrecalentamiento, explosiones.
 - No utilice baterías dañadas.
 - Las baterías de ion de litio provistas están sujetas a los requerimientos de la Legislación de Mercancías Peligrosas. Para transporte comercial, por ej., mediante terceros o agentes de transporte, se deben tomar en cuenta los requisitos especiales relativos al embalaje y etiquetado. Para preparar un artículo a distribuir, se requiere la asistencia de expertos en materiales peligrosos. Si es posible, tenga en cuenta otras regulaciones nacionales más detalladas. Encinte o aisle los contactos expuestos y empaque la batería de tal manera que no pueda moverse dentro del embalaje.
 - Cuando se deseche el cartucho de batería, remuévalo del aparato y deséchelo en un lugar seguro.
Siga las regulaciones locales relativas al desecho de la batería.
 - Utilice las baterías únicamente con los productos especificados por Makita. Instalar baterías en productos que no cumplen con las regulaciones puede ocasionar incendios, sobrecalentamiento, explosiones o fugas de electrolito.
 - Retire la batería si la herramienta no se utiliza por un largo periodo de tiempo.
 - El cartucho de batería podría calentarse durante y después de su uso, pudiendo causar quemaduras de alta o baja temperatura. Preste atención al manejo de los cartuchos de batería calientes.
 - No toque la terminal de la herramienta inmediatamente después de su uso, ya que puede calentarse lo suficiente como para causar quemaduras.
 - No permita que las astillas, el polvo o la suciedad se adhieran a las terminales, los agujeros y las ranuras del cartucho de batería. Esto podría provocar un bajo rendimiento o avería de la herramienta o el cartucho de batería.
 - No utilice el cartucho de batería cerca de líneas de alta tensión, a menos que la herramienta sea compatible con este tipo de uso específico. Esto podría provocar una falla o avería de la herramienta o el cartucho de batería.
 - Mantenga la batería fuera del alcance de los niños.

GUARDE ESTAS INSTRUCCIONES

⚠ PRECAUCIÓN: Solo use baterías genuinas Makita. El uso de baterías Makita no genuinas o baterías que han sido modificadas puede resultar en explosiones de la batería o incendios, lesiones, personales y daños. Esto también anulará la garantía Makita de su herramienta y cargador Makita.

Consejos para maximizar la vida útil de la batería

1. Cargue el cartucho de batería antes de que se descargue por completo. Siempre que vea que la fuerza de la herramienta es menor, detenga su funcionamiento y cargue el cartucho de batería.
2. Nunca recargue un cartucho de batería que tiene carga máxima. La sobrecarga de la batería disminuye su vida útil.
3. Cargue el cartucho de batería a una temperatura ambiente de 10 °C–40 °C (50 °F–104 °F). Deje que el cartucho se enfríe antes de cargarlo.
4. Cuando no use el cartucho de batería, retírelo del aparato o del cargador.
5. Cargue el cartucho de batería si no lo ha utilizado por un largo período de tiempo (más de seis meses).

DESCRIPCIÓN DEL FUNCIONAMIENTO

⚠ PRECAUCIÓN: Siempre asegúrese de que la herramienta está apagada y que se ha quitado el cartucho de batería antes de ajustar o de verificar la función de la herramienta.

Instalar o quitar el cartucho de batería (Fig. 1)

⚠ PRECAUCIÓN: Siempre apague la herramienta antes de quitar el cartucho de batería.

⚠ PRECAUCIÓN: Tome la herramienta y el cartucho de batería firmemente cuando instale o quite el cartucho de batería. En caso de no tomar la herramienta y el cartucho de batería firmemente, se pueden resbalar de sus manos y resultar en daños a la herramienta y el cartucho de batería y lesiones.

Para retirar el cartucho de batería, despréndalo de la herramienta mientras desliza el botón en la parte delantera del cartucho. Para instalar el cartucho de batería, alinee el cartucho de batería de machimbre con el machimbre en el armazón y deslícelo hasta que quede en su lugar. Insértela hasta el fondo hasta que se escuche un clic y quede asegurada en su lugar. Si puede observar el indicador rojo como se muestra en la figura, no está cerrado completamente.

⚠ PRECAUCIÓN: Cuando instale el cartucho de batería siempre asegúrese que el indicador rojo no quede a la vista. De lo contrario, puede que se caiga accidentalmente de la herramienta, lo que puede causarle lesiones a usted o alguien cerca.

⚠ PRECAUCIÓN: No instale el cartucho de batería a la fuerza. Si el cartucho no se desliza fácilmente es porque no ha sido insertado correctamente.

Indicación de la carga restante (Fig. 2)

Presione el botón de verificación de la batería para determinar la carga restante. Las luces del indicador se iluminan por unos segundos.

Luces del indicador			Carga restante
Iluminado	Apagado	Parpadeando	
■	□	▣	75 % a 100 %
■ ■ ■ ■	□	▣	
■ ■ ■ □	□	▣	
■ ■ □ □	□	▣	
■ □ □ □	□	▣	0 % a 25 %
▣ □ □ □	□	▣	Cargue la batería.
■ ■ □ □	□	▣	La batería puede estar funcionando mal.
□ □ ■ ■	□	▣	

NOTA: Dependiendo de las condiciones de uso y de la temperatura del ambiente, las indicaciones pueden variar un poco en relación al nivel de carga real de la batería.

NOTA: La primera luz indicadora (a la izquierda) parpadeará cuando el sistema de protección de la batería está en funcionamiento.

Encendido de la luz (Fig. 3)

⚠ PRECAUCIÓN: No mire fijamente la luz o la fuente de luz.

Oprima el botón de encendido para que se encienda la luz. Para apagar la luz, oprima el botón de encendido nuevamente.

NOTA: El dispositivo se enciende en el mismo modo en el que se usó por última vez.

Selección de modo

Mientras que la luz esté encendida, pulse el botón **MODO** para atravesar los niveles de **spot**, **inundación**, y **spot + inundación**.

Encendido de iluminación de estrobo (Fig. 4)

Pulse y mantenga el botón MODO oprimido hasta que el dispositivo llegue a modo **estrobo**. Para apagar el modo **estrobo**, solo pulse el botón MODO.

Sistema de protección de la aparato / batería

El aparato está equipada con un sistema de protección, el cual corta la potencia de salida automáticamente para una larga vida útil.

Protección de sobre descarga (Fig. 5)

Cuando la capacidad de la batería es baja, la luz LED se apagará a excepción de una LED. Luego, después de aproximadamente cinco a diez minutos el sistema automáticamente corta la energía.

Protección contra otras causas

El sistema de protección también ha sido diseñado para otras causas que pudieran dañar el aparato y permite que el aparato se detenga automáticamente. Siga todos los siguientes pasos para eliminar las causas cuando el aparato ha sido detenido en medio de su operación temporalmente.

1. Apague el aparato, después enciéndalo nuevamente o reinicie.
2. Cargue la batería(s) o replácela/s con batería(s) cargadas.
3. Permita que el aparato y la batería(s) se enfríen. Si no hay mejora mediante la restauración del sistema de protección, entonces puede contactar su Centro de Servicio Makita local.

Ángulo del cabezal (Fig. 6)

⚠ PRECAUCIÓN: Cuando cambie el ángulo del cabezal, tenga la precaución de no agarrarse los dedos entre la cabeza y el cuerpo de la herramienta.

El ángulo de cabezal se puede ajustar en 4 pasos.

Gancho (Fig. 7)

⚠ PRECAUCIÓN: Cuando levante el gancho, tenga la precaución de no agarrarse los dedos entre el gancho y el cuerpo de la herramienta.

Correa (Fig. 8)

La correa se puede instalar con clips en ambos extremos.

⚠ PRECAUCIÓN: No use el aro para ningún otro propósito más que el de colgar el aparato. De lo contrario lesiones personales pueden ocurrir.

MANTENIMIENTO

⚠ PRECAUCIÓN: Siempre asegúrese de que la herramienta esté apagada y que se ha quitado el cartucho de batería antes de intentar realizar una inspección o mantenimiento.

ATENCIÓN: Nunca utilice gasolina, bencina, solvente, alcohol o similares. Esto puede ocasionar decoloración, deformación o grietas.

Para mantener la SEGURIDAD y la FIABILIDAD del producto, las reparaciones y cualquier otro ajuste los deben realizar los Centros de Servicio de Fábrica o los Centros Autorizados Makita, siempre usando piezas de recambio Makita.

ACCESORIOS OPCIONALES

⚠ PRECAUCIÓN: Se recomienda el uso de estos accesorios con su herramienta Makita especificada en este manual. El uso de cualquier otro accesorio o anexo podría provocar riesgo de lesiones personales. Utilice únicamente accesorios o anexos diseñados para su propósito indicado.

Si necesita ayuda o más detalles con relación a estos accesorios, consulte su Centro de Servicio Makita local.

- Batería y cargador genuinos de Makita.

NOTA: Algunos artículos en la lista pueden estar incluidos en el paquete de herramientas como accesorios estándar. Pueden variar de un país a otro.

Português (Instruções originais)

Explicação do panorama geral

- | | | | |
|----------------------------------|-------------------------|----------------------|-----------|
| 1. Cartucho de bateria | 5. Botão de checagem | 9. Spot + Flood mode | 13. Clipe |
| 2. Indicador Vermelho | 6. Botão ligar/desligar | 10. Modo Spot | |
| 3. Botão de liberação da bateria | 7. Botão de MODO | 11. Hook | |
| 4. Luzes de indicação | 8. Modo Flood | 12. Alça no | |

ESPECIFICAÇÕES

Modelo	ML007G
LED	Spot: 1 unidade / Flood: 16 unidades (Strobe: 17 unidades)
Dimensões (C × L × A)	323 mm × 120 mm × 118 mm
Tensão nominal	C.C. 36 V - 40 V máx.
Peso líquido (sem bateria e Alça no)	0,95 kg

- Devido a um contínuo programa de pesquisa e desenvolvimento, as especificações que constam neste manual estão sujeitas á alterações sem aviso prévio.
- As especificações podem variar de país para país.
- As dimensões são de BL4025 com a cabeça voltada para frente.

Bateria e carregador indicados

Cartucho de bateria	BL4020 / BL4025 / BL4040 / BL4050F / BL4080F
Carregador	DC40RA / DC40RB / DC40RC

- Algumas baterias listadas acima podem não estar disponíveis dependendo da sua região.

⚠ AVISO: Use apenas a bateria e carregadores listados acima. O uso de outras baterias e carregadores pode provocar o risco de ferimentos e/ou incêndio.

Tempo operacional

Cartucho de bateria	Tempo de operação (aproximado)			
	Spot	Flood	Flood + Flood	Strobe
BL4020	5,0 horas	5,0 horas	3,5 horas	5,0 horas
BL4025	6,5 horas	6,5 horas	4,5 horas	6,5 horas
BL4040	10 horas	10 horas	7,5 horas	10 horas
BL4050F	13 horas	13 horas	9,5 horas	13 horas
BL4080F	22 horas	22 horas	16 horas	22 horas

- Os tempos de operação na tabela acima são uma orientação aproximada. Eles podem diferir dos tempos de operação reais.
- Os tempos de operação podem diferir dependendo do tipo de bateria, nível da carga e condição de uso.
- A bateria pode variar de país para país.

Símbolos

A seguir encontram-se os símbolos usados para este equipamento. Certifique-se de que pode entender o significado dos símbolos antes de usar.



- Leia o manual de instruções



- Apenas para uso interno



• Apenas para países da União Europeia. Devido à existência de componentes perigosos no equipamento, tais como resíduos de equipamento eléctrico e electrónico, acumuladores e baterias podem ter um impacto negativo no meio ambiente e na saúde humana.

Não são permitidos descartar aparelhos eléctricos e electrónicos ou baterias no lixo doméstico!

Conforme a Directiva Europeia referente a resíduos de equipamentos eléctricos e electrónicos e acumuladores e baterias e resíduos de acumuladores e baterias, bem como sua adaptação à legislação nacional, os resíduos de equipamento eléctrico, baterias e acumuladores devem ser armazenados separadamente e entregues num ponto separado de colecta para resíduos municipais, suas operações devem estar de acordo com as regulamentações de protecção ambiental.

Isto é indicado pelo símbolo do contenedor de lixo barrado com uma cruz colocado no equipamento.



- Radiação Óptica (raios ultravioleta e infravermelhos).

Evite exposição aos olhos ou à pele.



- Não olhe directamente para a lâmpada acesa.



- Use protecção apropriada ou protecção ocular.



- Tenha muito cuidado e atenção!

AVISOS DE SEGURANÇA

INSTRUÇÕES DE SEGURANÇA IMPORTANTES

⚠ AVISO: Ao usar ferramentas eléctricas, sempre devem ser seguidas as precauções básicas de segurança para reduzir o risco de incêndio, choque eléctrico e ferimentos pessoais, incluindo o seguinte:

LEIA TODAS AS INSTRUÇÕES.

1. Não olhe para a luz ou não a exponha aos olhos. Os olhos podem ficar danificados.
2. Não cubra a lanterna com nenhum tipo de tecido, papel, etc., pois pode provocar um incêndio.
3. Este dispositivo não é à prova de água. Não o use em locais úmidos ou molhados. Não a exponha a chuva ou neve. Não a lave em água.
4. Não toque na parte interna do dispositivo com pinças, ferramentas de metal, etc.
5. Quando a lanterna não estiver em uso, deve sempre desligá-la e remover a bateria.
6. Não deixe o dispositivo cair nem o exponha a pancadas, etc.
7. Informações de segurança para lanternas portáteis com baterias.
 - A eliminação de baterias deve ser feita em conformidade com os regulamentos locais que visam a eliminação de resíduos perigosos.
 - Não tente queimar a bateria.
8. Informação suplementar para lanternas.
 - A fonte de luz desta luminária não é substituível; quando a fonte de luz chegar ao fim da vida útil, toda a luminária deve ser substituída.
9. Uso e cuidados com a bateria.
 - AVISO: Leia todos os avisos e as instruções de segurança. A inobservância dos avisos e das instruções pode resultar em choque eléctrico, incêndio e/ou lesões graves.
 - Evite arranque não intencional. Certifique-se de que o interruptor esteja na posição de desligar antes de conectar a bateria, pegar ou transportar a ferramenta. Transportar a ferramenta com o dedo no interruptor ou conectar a ferramenta quando a mesma estiver com o interruptor ligado pode provocar acidentes.
 - Desligue o plugue da fonte de alimentação antes de proceder a quaisquer ajustes, trocar acessórios ou arrumar uma ferramenta eléctrica. Estas medidas de segurança preventivas reduzem o risco de um arranque acidental da ferramenta eléctrica.
 - Recarregue a ferramenta somente com o carregador especificado pelo fabricante. Um carregador designado para um tipo de bateria pode provocar risco de incêndio quando usado para recarregar outro tipo de bateria.
 - Use ferramentas somente com as baterias especificamente designadas. O uso de outras baterias pode provocar o risco de ferimentos e/ou incêndio.
 - Quando a bateria não estiver em uso, mantenha-a longe de outros objetos metálicos, tais como cliques de papel, chaves, pregos, parafusos ou outros objetos metálicos pequenos, que podem provocar a conexão de um terminal ao outro. Provocar o curto-circuito nos terminais da bateria pode causar queimaduras ou incêndio.

- Sob condições incorretas de uso, o fluido pode vaziar da bateria; evite contato com o mesmo. Se ocorrer o contato acidental, lave com bastante água. Se o fluido entrar em contato com os olhos, procure também ajuda médica. O fluido ejetado da bateria pode causar irritação ou queimaduras.
- Não use uma bateria ou ferramenta que esteja danificada ou modificada. Baterias danificadas ou modificadas podem apresentar comportamento imprevisível que pode causar incêndio, explosão ou risco de ferimentos.
- Não exponha a bateria ou a ferramenta ao fogo ou temperatura excessiva. Exposição ao fogo ou à temperatura acima de 130 °C (265 °F) pode causar explosão.
- Siga todas as instruções de carregamento e não carregue a bateria ou ferramenta fora da amplitude térmica especificada nas instruções. Carregar de forma imprópria ou a uma temperatura fora da amplitude térmica especificada pode danificar a bateria e aumentar o risco de incêndio.
- Proceda à reparação da ferramenta elétrica por um técnico qualificado e utilize apenas peças sobresselentes idênticas. Assim, garante que a segurança da ferramenta elétrica é mantida.
- Não modifique ou tente reparar a ferramenta ou a bateria exceto como indicado nas instruções de uso e cuidado.

Instruções importantes de segurança sobre a bateria

- Antes de usar a bateria, leia todas as instruções e símbolos de aviso no (1) carregador de bateria, (2) bateria, e (3) produto usando a bateria.
 - Não tente desmontar ou modificar o cartucho de bateria. Isso pode resultar em sobreaquecimento, incêndio ou mesmo explosão.
 - Se o tempo de operação tornar-se extremamente curto, pare o funcionamento imediatamente. Isso pode resultar num risco de sobreaquecimento, possíveis queimaduras ou mesmo uma explosão.
 - Se entrar eletrólito nos olhos, lave com água limpa e procure ajuda médica imediatamente. Isso pode causar perda de visão.
 - Não provoque um curto-circuito na bateria.
- (1) Não toque nos terminais com nenhum tipo de material condutor.
 - (2) Evite guardar a bateria em um ambiente com outros objetos metálicos tais com pregos, moedas, etc.
 - (3) Não exponha a bateria à água ou chuva. Um curto na bateria pode causar um fluxo extenso de corrente, sobreaquecimento, possíveis queimaduras e até mesmo avarias.
- Não armazene a lanterna e a bateria em locais onde a temperatura possa atingir ou exceder os 50 °C (122 °F).
 - Não incinere a bateria mesmo se ela estiver severamente danificada ou completamente gasta. Ela pode explodir no fogo.
 - Nunca tente furar, cortar, esmagar, atirar ou deixar cair a bateria nem bater na bateria com um objeto duro. Tal conduta pode resultar em sobreaquecimento, incêndio ou mesmo explosão.
 - Não use uma bateria danificada.

- As baterias que contêm íon de lítio estão sujeitas aos requisitos da Legislação de Mercadorias Perigosas. Para usos comerciais por terceiros ou agentes de frete, por exemplo, requisitos especiais relativos à embalagem e rotulagem devem ser observados. A preparação do item para envio deve ser consultada por um perito em materiais perigosos. Favor consultar os regulamentos da sua região para mais detalhes. Passe fita ou cubra os contatos da bateria e embale-a de forma que não se mova durante o transporte.
- Não o descarte da bateria de cartucho de bateria, retire-o do aparelho e descarte-o num local seguro. Siga os regulamentos da sua região relativos ao descarte de baterias.
- Use as baterias apenas para os produtos especificados pela Makita. A instalação das baterias em produtos não compatíveis pode causar incêndio, aquecimento excessivo, explosão ou vazamento do eletrólito.
- Se a ferramenta não for utilizada durante um longo período de tempo, a bateria deve ser removida da mesma.
- Durante a carga e a utilização, a bateria pode aquecer, pelo que existe o risco de queimaduras. Os devidos cuidados devem ser observados durante o manuseio de baterias quentes.
- Não toque nos terminais da lanterna imediatamente após o uso, pois pode aquecer o suficiente para causar queimaduras.
- Não permita a entrada de aparas, pó ou terra nos terminais, orifícios e ranhuras da bateria. Isso pode levar a um desempenho reduzido ou mesmo à avaria da lanterna ou da bateria.
- A menos que a lanterna suporte a utilização nas imediações de linhas elétricas de alta tensão, não utilize a bateria nas proximidades de linhas elétricas de alta tensão. Isso pode levar a um mau funcionamento ou mesmo à avaria da lanterna ou da bateria.
- Mantenha a bateria fora do alcance das crianças.

GUARDE ESTAS INSTRUÇÕES.

⚠ CUIDADO: Use apenas baterias Makita originais. O uso de baterias não originais, ou baterias que foram modificadas, pode resultar na explosão da bateria causando incêndio, ferimentos e danos pessoais. Isso também anulará a garantia da Makita para a ferramenta e o carregador.

Sugestões para a máxima vida útil da bateria

1. Carregue a bateria antes de descarregar completamente. Sempre pare a operação da ferramenta e carregue o cartucho da bateria quando notar que há pouca carga na ferramenta.
2. Nunca recarregue uma bateria completamente carregada. Carregar demais a bateria diminui sua vida útil.
3. Carregue a bateria em temperatura ambiente de 10 °C - 40 °C (50 °F - 104 °F). Se a bateria estiver quente, deixe-a esfriar antes de carregá-la.
4. Quando a bateria não estiver em uso, deve sempre removê-la da lanterna ou do carregador.
5. Carregue a bateria se não for usá-la durante um longo período (mais de seis meses).

DESCRIÇÃO FUNCIONAL

⚠ CUIDADO: Certifique-se sempre que a ferramenta esta desligada e o cartucho da bateria é removido antes de ajustar ou verificar a função na ferramenta.

Instalação ou remoção do cartucho da bateria (Fig. 1)

⚠ CUIDADO: Sempre desligue a ferramenta antes de retirar o cartucho da bateria.

⚠ CUIDADO: Segure a ferramenta e o cartucho da bateria firmemente durante a instalação ou remoção do cartucho da bateria. A falha em segurar a ferramenta e a bateria firmemente pode fazer com que escorreguem das mãos e resultar em danos à ferramenta, ao cartucho da bateria e aos ferimentos pessoais.

Para remover a bateria, deslize-a para fora da ferramenta enquanto desliza o botão na frente da bateria. Para instalar o cartucho da bateria, alinhe a lingueta no cartucho da bateria com a ranhura no compartimento e encaixe-o no lugar. Inspira-a até que se trave com um clique. Se puder ver o indicador vermelho conforme mostrado na figura, significa que ele não está completamente bloqueado.

⚠ CUIDADO: Sempre instale a bateria completamente até que o indicador vermelho não seja visto. Caso contrário, pode cair acidentalmente da ferramenta, causando ferimentos a você ou a alguém ao seu redor.

⚠ CUIDADO: Não force a bateria quando instalando-a. Se a bateria não deslizar facilmente, é por que não foi inserida corretamente.

Indicando a capacidade restante da bateria (Fig. 2)

Pressione o botão de checagem na bateria para indicar a carga restante da bateria. As luzes indicadoras acendem durante alguns segundos.

Luzes de indicação			Carga restante
Iluminado	Desligado	Piscando	
■	□	◻	75 % a 100 %
■ ■ ■ ■			
■ ■ ■	□		50 % a 75 %
■ ■	□ □		25 % a 50 %
■	□ □ □		0 % a 25 %
◻	□ □ □		Carregue a bateria.
■ ■ □ □	□ □		A bateria pode ter tido um mau funcionamento.
□ □ ■ ■			

NOTA: Dependendo das condições de uso e temperatura ambiente, a indicação pode diferir ligeiramente da capacidade atual.

NOTA: A primeira luz indicadora (totalmente à esquerda) irá piscar, se o sistema de proteção da bateria estiver funcional.

Acendendo a luz (Fig. 3)

⚠ CUIDADO: Não olhe para a luz ou olhar para a fonte da luz directamente.

Pressione o botão da carga para acender a luz Para desligar a luz, pressione o botão de carga novamente.

NOTA: O aparelho liga-se do mesmo modo como a última definição.

Seleccionando um modo

Enquanto a luz estiver ligada, pressione o botão **MODE** para ir as definições de **spot**, **flood** e **spot+flood**.

Activar iluminação estroboscópica (Fig. 4)

Pressione e mantenha o botão **MODE** até o aparelho mudar para o modo **strobe**. Para desligar o modo **strobe**, apenas pressione o botão **MODE**.

Sistema de proteção de máquina / bateria

A ferramenta é equipada com o sistema de protecção, que automaticamente desliga a carga para estender o tempo de vida da bateria.

Protecção contra descarga excessiva (Fig. 5)

Quando a capacidade da bateria estiver baixa, as luzes do LED apagam-se, excepto um LED. Então, aproximadamente de cinco a dez minutos depois, o sistema automaticamente corta a energia.

Protecções contra outras causas

O sistema de protecção também é projectado para outras causas que podem danificar o aparelho e permitem que o aparelho pare automaticamente. Quando o aparelho parar temporariamente ou parar de funcionar, realize todas as etapas a seguir para eliminar os defeitos.

1. Desligue o aparelho e ligue-o novamente para reiniciá-lo.
2. Carregue as baterias ou substitua-as por baterias recarregadas.
3. Deixe o aparelho e as baterias esfriarem.
Se nenhum melhoramento puder ser encontrado com a restauração do sistema de protecção, entre em contato com o Centro de Serviços Makita local.

Ângulo da cabeça (Fig. 6)

⚠ CUIDADO: Quando mudar do ângulo da cabeça, cuidado para não beliscar os dedos entre a cabeça e o corpo da ferramenta.

A cabeça do ângulo pode ser ajustada em 4 estágios.

Gancho (Fig. 7)

⚠ CUIDADO: Quando levantar o gancho, cuidado para não beliscar os dedos entre a cabeça e corpo da ferramenta.

Alça do ombro (Fig. 8)

A alça de ombro pode ser instalada com cliques nas duas mãos.

⚠ CUIDADO: Não utilize o anel para qualquer outro propósito que não seja para pendurar o aparelho. Caso contrário, podem provocar ferimentos.

MANUTENÇÃO

⚠ CUIDADO: Sempre se certifique de que a ferramenta está desligada e que o cartucho da bateria é removido antes de tentar uma inspeção ou manutenção.

AVISO: Nunca use gasolina, benzina, removedor, álcool ou similares. Isso pode causar descoloração, deformação ou rachaduras.

Para manter a SEGURANÇA e CONFIANÇA do produto, reparos, qualquer manutenção ou ajuste devia ser feito pelos Centros Autorizados ou Fábrica da Makita, sempre usando as peças sobressalentes da Makita.

ACESSÓRIOS OPCIONAIS

⚠ CUIDADO: Estes acessórios ou anexos são recomendados para o uso com a sua ferramenta devidamente especificado neste manual. O uso de qualquer outro acessório poderá apresentar um risco de ferimentos a terceiros. Use os acessórios ou acoplamentos somente para os fins a que se destinam.

Se você precisar de ajuda para mais detalhes acerca destes acessórios, peça ao Centro de Serviço local da Makita.

- Carregador e bateria originais Makita.

NOTA: Eles podem diferir de país para país. Eles podem diferir de país para país.

DANSK (Originale instruktioner)

Forklaring på generel visning

- | | | | |
|-----------------------|-------------------|----------------------|------------------------|
| 1. Batteripatron | 5. Kontrolknap | 9. Spot + Flood-mode | 13. Fastgørelsesmiddel |
| 2. Rød indikator | 6. Tænd/sluk-knap | 10. Spot-mode | |
| 3. Batteriudløserknap | 7. MODE-knap | 11. Krog | |
| 4. Indikatorlamper | 8. Flood-mode | 12. Skulderstropper | |

SPECIFIKATIONER

Model	ML007G
LED	Spot : 1 stykke / Flood: 16 stykker. (Strobe: 17 stykker)
Dimensioner (L × B × H)	323 mm × 120 mm × 118 mm
Nominal spænding	Jævnstrøm 36 V - 40 V max
Nettovægt (uden batteripatron og skulderrem)	0,95 kg

- Specifikationer heri kan ændres uden varsel som følge af vores løbende forsknings- og udviklingsprogram.
- Specifikationer kan variere fra land til land.
- Dette er dimensioner, når BL4025 er installeret, og hovedet vender fremad.

Velegnet batteripatron og oplader

Batteripatron	BL4020 / BL4025 / BL4040 / BL4050F / BL4080F
Oplader	DC40RA / DC40RB / DC40RC

- Nogle af de ovennævnte batteripatroner er muligvis ikke tilgængelige alt afhængigt af din bopæl.

⚠ ADVARSEL: Brug kun ovenstående batteri og opladningspatroner. Brug af andre batteripatroner og opladere kan medføre personskade og/eller brand.

Driftstid

Batteripatron	Funktionstid (cirka)			
	Spot	Flood	Spot + Flood	Strobe
BL4020	5,0 timer	5,0 timer	3,5 timer	5,0 timer
BL4025	6,5 timer	6,5 timer	4,5 timer	6,5 timer
BL4040	10 timer	10 timer	7,5 timer	10 timer
BL4050F	13 timer	13 timer	9,5 timer	13 timer
BL4080F	22 timer	22 timer	16 timer	22 timer

- Driftstidene i ovenstående tabel er en overordnet vejledning. De kan variere fra faktiske driftstider.
- Funktionstider kan variere afhængigt af batteritype, opladningsstatus og anvendelsesforhold.
- Batteripatron kan variere fra land til land.

Symboler

Det følgende viser de symboler, som anvendes til udstyret. Sørg for, at du forstår deres betydning inden anvendelse.



- Læs brugervejledning



- Kun til indendørs brug



- Kun til EU-lande

På grund af de farlige ingredienser i udstyret, akkumulatører og batterier have en negativ indvirkning på miljøet og menneskers sundhed.

Må ikke bortskaffe elektriske og elektroniske apparater eller batterier sammen med husholdningsaffald!

I henhold til det "Europæiske Direktiv" om affald af elektrisk og elektronisk udstyr, akkumulatører, affaldsakkumulatører og batterier samt dets tilsvarende ændringer til national lovgivning, bør affald af akkumulatører, affaldsakkumulatører og batterier opbevares separat og transporteres til uafhængige indsamlingssteder for affald, og bortskaffes i overensstemmelse med miljøbeskyttelsesbestemmelser. Dette er angivet med symbolet på den overkrydsede skraldespand, der er placeret på udstyret.



- Optisk stråling (UV og IR).
Undgå eksponering til øjne og hud.



- Se ikke direkte ind i operationslampen.



- Anvend passende afskærmning eller øjebeskyttelse.



- Vær ekstra forsigtig, og pas på!

SIKKERHEDSADVARSLER

VIGTIGE SIKKERHEDSINSTRUKTIONER

⚠ ADVARSEL: Når du bruger elektrisk værktøj, skal grundlæggende sikkerhedsforholdsregler altid følges for at reducere risikoen for brand, elektrisk stød og personskade, herunder følgende:

LÆS ALLE INSTRUKTIONER.

1. Se ikke ind i lyset, eller udsæt ikke øjnene for lys. Øjne kan tage skade.
2. Tildæk ikke lampen med stof, pap eller lignende, da det kan antænde.
3. Apparatet er ikke vandtæt. Brug det ikke fugtige eller våde steder. Udsæt ikke for regn eller sne. Vask det aldrig i vand.
4. Rør ikke ved indersiden af apparatet med pincet, metalværktøj osv.
5. Når apparatet ikke er i brug, skal det altid slukkes, og batteripatronen fjernes fra apparatet.
6. Giv ikke apparatet et stød ved at tabe det, slå på det osv.
7. Sikkerhedsinformationer for bærbare belysningsamaturer med batterier.
 - Bortskaffelse af batterier skal være i overensstemmelse med dine lokale regler, som beskriver, hvordan farligt affald bortskaffes.
 - Batteriet må ikke brændes.
8. Yderligere oplysninger belysningsamaturer
 - Lyskildedelen af dette armatur kan ikke udskiftes; når lyskilden når sin levetid, skal hele armaturet udskiftes.
9. Brug og pleje af batteriværktøj.
 - **ADVARSEL:** Læs alle sikkerhedsadvarsler og instruktioner. Manglende overholdelse af advarsler og instruktioner kan resultere i elektrisk stød, brand og/eller alvorlig personskade.
 - Undgå start ved et uheld. Sørg for, at kontakten er i slukket stilling, før du slutter apparatet til batteripakken, samler det op eller bærer det. Det inviterer til ulykker at bære apparatet med fingeren på kontakten eller tænde for apparatet, hvor kontakten er slået til.
 - Tag batteripakken ud af apparatet, før du foretager justeringer, skifter tilbehør eller oplager apparatet. Sådanne forebyggende sikkerhedsforanstaltninger reducerer risikoen for at komme til at starte apparatet ved et uheld.
 - Genoplad kun med den oplader, som producenten angiver. En oplader, der er egnet til én batteritype, kan udgøre en brandrisiko, når den anvendes til en anden batteripakke.
 - Brug kun apparater sammen med specifikt designede batteripakker. Anvendelse af andre batterier kan give risiko for personskade og brand.
 - Når batteriet ikke er i brug, skal det holdes væk fra andre metalgenstande, såsom papirklips, mønter, nøgler, søm, skruer eller andre mindre metalgenstande, som kan skabe forbindelse mellem den ene pol og den anden. Kortslutning af batteripolerne kan give forbrændinger eller forårsage brand.

- Ved misbrug kan batteriet udsende væske. Undgå kontakt med denne. Skyl med vand, hvis du ved et uheld kommer i kontakt med den. Søg også lægehjælp, hvis væsken kommer i øjnene. Væsken fra batteriet kan give irritation eller forbrændinger.
- Brug ikke et batteri eller apparat, som er blevet beskadiget eller modificeret. Beskadigede eller modificerede batterier kan udvise uforudsigeligt adfærd, hvilket kan resultere i brand, eksplosion eller personskade.
- Udsæt ikke en batteripakke eller apparat for ild eller ekstrem temperatur. Udsættelse for brand eller temperatur over 130 °C (265 °F) kan forårsage eksplosion.
- Følg alle instruktioner for opladning, og oplad ikke batteripakkerne eller apparatet uden for det temperaturområde, som er angivet i instruktionerne. U hensigtsmæssig opladning eller ved temperaturer uden for det angivne område kan beskadige batteriet og øge risikoen for brand.
- Få dit serviceeftersyn udført af en kvalificeret reparatør, og brug kun identiske reservedele. Dette vil sikre, at sikkerheden ved produktet bevares.
- Du må ikke ændre eller forsøge at reparere apparatet eller batteripakken med undtagelse af instruktionerne for anvendelse og vedligeholdelse.

Vigtige sikkerhedsinstruktioner for batteripatron

- Inden brug af batteripatron bedes du læse alle instruktioner og advarende markeringer på (1) batteriopladeren, (2) batteriet og (3) produktet, der anvender batteriet.
- Batteripatronen må ikke skilles ad eller pilles ved. Det kan resultere i brand, voldsom varme eller eksplosion.
- Hvis anvendelsestiden er blevet betydeligt kortere, skal du omgående stoppe betjening. Dette kan resultere i risici for overophedning, mulige forbrændinger og sågar en eksplosion.
- Hvis du får elektrolyt i dine øjne, skal du omgående skylle dem med rent vand og søge lægehjælp. Dette kan resultere i synstab.
- **Undlad at kortslutte batteripatronen.**
- (1) **Berør ikke polerne med et ledende materiale.**
- (2) **Undgå at lagre batteripatronen i en beholder med andre metaller såsom søm, mønter osv.**
- (3) **Batteripatronen må ikke komme i kontakt med vand eller regn. Kortslutning af batteriet kan forårsage en stor strømgennemgang, overophedning, mulige forbrændinger og sågar et nedbrud.**
- Batteriet og batteripakken må ikke opbevares og anvendes på steder, hvor temperaturen kan nå op på eller overstige 50 °C (122 °F).
- Batteripatronen må ikke brændes, selv hvis den er meget beskadiget eller fuldstændig udtømt. Batteripatronen kan eksplodere i en brand.
- Undlad at slå søm i, knuse, kaste, og tabe batteripatronen og at slå en hård genstand mod batteripatronen. Dette kan resultere i brand, voldsom varme eller eksplosion.
- Et beskadiget batteri må ikke anvendes.

- De indeholdte litiumionbatterier er underlagt kravene for lovgivningen om farligt gods. Særlige krav om indpakning og mærkning skal overholdes ved kommerciel transport, f.eks. af tredjeparter og speditorer. Det er nødvendigt at rådføre sig hos en ekspert inden for farligt materiale ved klargøring af den sendte vare. Desuden skal eventuelt nationale bestemmelser også overholdes. Maskér eller fastgør åbne kontakter med tape, og pak batteriet på en sådan måde, at det ikke kan bevæge sig rundt i pakken.
- Hvis du gerne vil bortskaffe batteripatronen, skal du fjerne den fra apparatet og bortskaffe den på et sikkert sted.
Følg de lokale bestemmelser i henhold til bortskaffelse af batteriet.
- Anvend kun batterierne sammen med de produkter, som er angivet af Makita. Installation af batterierne i produkter, der ikke opfylder kravene, kan resultere i brand, voldsom varme, eksplosion eller udslip af elektrolyt.
- Hvis værktøjet ikke benyttes over en længere periode, skal batteriet fjernes fra værktøjet.
- Batteripatronen kan være varm under og efter brug, hvilket kan forårsage forbrændinger eller lavtemperaturforbrændinger. Vær opmærksom på håndteringen af varme batteripatroner.
- Berør ikke produktets terminaler lige efter brug, da det kan være varmt nok til at forårsage forbrændinger.
- Undgå at skår, støv og skidt sætter sig fast på batteriets terminaler, huller og riller. Dette kan medføre forringet ydeevne eller driftsafbrydelse ved værktøjet eller batteripatronen.
- Undlad at bruge batteripatronen i nærheden af elektriske strømledninger med stærk strøm, medmindre værktøjet understøtter brug nær elektriske strømledninger med stærk strøm. Dette kan medføre fejl eller driftsafbrydelser ved værktøjet eller batteripatronen.
- Hold batteriet væk fra børn.

GEM DISSE INSTRUKTIONER.

▲ FORSIGTIG: Brug kun ægte batterier fra Makita. Anvendelse af andre batterier (ikke fra Makita) eller batterier, der er blevet ændret, kan resultere i, at batteriet sprænger og forårsager brand, personskade og beskadigelse. Dette vil også gøre garantien fra Makita ugyldig for både Makita-værktøjet og -opladeren.

Tips til at bevare maksimal batterilevetid

1. Oplad batteripatronen, før den aflades helt. Stop altid værktøjets betjening og oplad batteripatronen, når du bemærker mindre værktøjskraft.
2. Du må aldrig oplade en fuldt opladt batteripatron. Overopladning afkorter batteriets levetid.
3. Oplad batteripatronen ved en rumtemperatur på 10 °C - 40 °C (50 °F - 104 °F). Lad en varm batteripatron køle af, inden du oplader den.
4. Hvis du ikke bruger batteripatronen længere, skal du fjerne den fra apparatet eller opladeren.
5. Oplad batteripatronen, hvis du ikke bruger den i en længere periode (mere end seks måneder).

FUNKTIONEL BESKRIVELSE

⚠ FORSIGTIG: Sørg altid for, at apparatet er slukket, stikket er trukket ud af kontakten, og batteripatronen er fjernet, før du foretager justeringer af eller kontrollerer funktionen af apparatet.

Isætning eller fjernelse af batteripatron (Fig. 1)

⚠ FORSIGTIG: Sluk altid værktøjet, inden du fjerner batteripatronen.

⚠ FORSIGTIG: Hold godt fast i apparatet og batteripatronen, når du isætter eller fjerner batteripatronen. Hvis der ikke holdes godt fast i både apparatet og batteripatronen, kan det få dem til at glide ud af dine hænder og resultere i skade på værktøjet og batteripatronen samt personskade.

For at fjerne batteripatronen skal du skubbe den fra værktøjet, mens du skubber knappen foran på patronen. For at installere batteripatronen skal du ligestille tungen på batteripatronen med rillen i huset og skubbe den på plads. Indsæt den, så den låses fast med et lille klik. Hvis du ser en røde indikator som vist på figuren, er den ikke låst helt.

⚠ FORSIGTIG: Isæt altid batteripatronen helt, så den røde indikator ikke længere kan ses. Hvis ikke, kan den ved en fejltagelse falde ud af værktøjet og skade dig eller folk omkring dig.

⚠ FORSIGTIG: Batteripatronen må ikke installeres med magt. Hvis patronen ikke glider let i, er den ikke isat korrekt.

Angiver den resterende batterikapacitet (Fig. 2)

Tryk på kontrolknappen på batteripatronen for at se den tilbageværende batterikapacitet. Indikatorlamperne lyser i et par sekunder.

Indikatorlamper			Tilbageværende kapacitet
Oplyst	Slukket	Blinker	
■	□	◐	
■ ■ ■ ■			75 % til 100 %
■ ■ ■ □			50 % til 75 %
■ ■ □ □			25 % til 50 %
■ □ □ □			0 % til 25 %
◐ □ □ □			Oplad batteriet.
■ ■ □ □	↓		Batteriet kan have en funktionsfejl.
□ □ ■ ■			

BEMÆRK: Afhængigt af anvendelsesforholdene og den omgivende temperatur kan indikatoren afvige fra den egentlige kapacitet.

BEMÆRK: Den første (længst til venstre) indikatorlampe blinker, når batteribeskyttelsessystemet virker.

Tænd lyset (fig. 3)

⚠ FORSIGTIG: Undlad at se direkte ind i lyskilden.

Tryk på tænd/sluk-knappen for at tænde lyset. Tryk på tænd/sluk-knappen for at slukke lyset

BEMÆRK: Apparatet tændes i samme tilstand som den sidste indstilling.

Valg af tilstand

Når lyset er tændt, skal du trykke på **MODE**-knappen for at gennemgå indstillinger for **spot**, **flood** og **spot+flood**.

Tænd strobe-belysning (Fig. 4)

Tryk på **MODE**-knappen og hold den nede, indtil apparatet skifter til **strobe**-tilstand. For at slukke for strobe-tilstand skal du blot trykke på **MODE**-knappen.

Apparatet / batteribeskyttelsessystem

Apparatet er udstyret med beskyttelsessystemet, som automatisk afbryder udgangsstrømmen for at forlænge dets levetid.

Overudladningsbeskyttelse (Fig.5)

Når batterikapaciteten er lav, er alle LED-lamperne slukket undtagen én LED. Cirka fem til ti minutter derefter vil systemet automatisk slukke for strømmen.

Beskyttelse mod andre årsager

Beskyttelsessystemet er også designet til andre årsager, der kan beskadige apparatet, derefter gør det muligt for apparatet at stoppe automatisk. Gør følgende trinene for at finde årsagerne, når apparatet holder pause eller stopper.

1. Sluk for apparatet, derefter tænd det igen for at genstarte.
2. Oplad batteriet(er), eller udskift det/dem med fulde opladede batteri(er).
3. Gør apparatet og batteriet(er) køle af. Hvis der ikke er nogen forbedringer ved at gendanne beskyttelsessystemet, anbefaler vi, at kontakte dit lokale Makita servicecenter.

Hovedvinkel (Fig. 6)

⚠ FORSIGTIG: Når du ændrer hovedvinklen, skal du passe på ikke at klemme fingrene mellem hovedet og værktøjskroppen.

Hovedvinklen kan justeres i 4 trin.

Krog (Fig. 7)

⚠ FORSIGTIG: Når du hæver krogen, skal du passe på ikke at klemme fingrene mellem krogen og værktøjskroppen.

Skulderrem (Fig. 8)

Skulderremmen kan monteres med klips i begge ender.

⚠ FORSIGTIG: Må ikke bruge hullet til andre formål end at hænge apparatet. Ellers kan det medføre personskaade.

VEDLIGEHOELSE

⚠ FORSIGTIG: Sørg altid for, at apparatet er slukket, stikket er trukket ud af kontakten, og batteripatronen er fjernet, før du forsøger at udføre inspektion eller vedligeholdelse.

BEMÆRK: Benyt aldrig benzin, rensbenzin, fortyndermiddel, alkohol eller lignende. Misfarvning, deformation eller revner kan forekomme.

For at vedligeholde produktsikkerhed og pålidelighed skal reparationer, enhver anden vedligeholdelse eller justering udføres af autoriserede Makita-servicecentre eller fabrikksservicecentre, altid ved hjælp af Makita-reservedele.

VALGFRIT TILBEHØR

⚠ FORSIGTIG: Dette tilbehør anbefales til brug med dit Makita-værktøj, der er specificeret i denne manual. Anvendelsen af andet tilbehør eller påmonteringer kan udgøre en risiko for personskaade. Brug kun tilbehør eller påmonteringer til deres erklærede formål.

Hvis du har behov for flere oplysninger om dette tilbehør, kan du kontakte dit lokale Makita-servicecenter.

- Ægte Makita-batteri og -oplader.

BEMÆRK: Nogle elementer på listen kan være inkluderet i værktøjspakken som standardtilbehør. Dette kan variere fra land til land.

ΕΛΛΗΝΙΚά (Αρχικές οδηγίες)

Επεξήγηση γενικής απεικόνισης

- | | | | |
|-----------------------------------|---------------------------|--|------------------|
| 1. Δοχείο μπαταρίας | 5. Κουμπί ελέγχου | 9. Λειτουργία Προβολέας
θέατρου + Διάχυτο φως | 12. Ιμάντας ώμου |
| 2. Κόκκινη ένδειξη | 6. Κουμπί ενεργοποίησης | 10. Λειτουργία Προβολέας
θέατρου | 13. Συνδετήρας |
| 3. Κουμπί ανοίγματος
μπαταρίας | 7. Κουμπί MODE | 11. Άγκιστρο | |
| 4. Ενδεικτικές λυχνίες | 8. Λειτουργία Διάχυτο φως | | |

ΤΕΧΝΙΚΑ ΧΑΡΑΚΤΗΡΙΣΤΙΚΑ

Μοντέλο	ML007G
LED	Προβολέας θέατρου 1 τεμ. / Διάχυτο φως: 16 τεμ. (Στροβοσκόπιο: 17 τεμ.)
Διαστάσεις (Μ × Π × Υ)	323 mm × 120 mm × 118 mm
Βαθμονομημένη τάση	D.C. 36 V - 40 V max
Καθαρό βάρος (χωρίς το δοχείο μπαταρίας και Ιμάντας ώμου)	0,95 kg

- Στο πλαίσιο του συνεχιζόμενου προγράμματος έρευνας και ανάπτυξης της εταιρείας μας, τα τεχνικά χαρακτηριστικά που αναφέρονται στο παρόν εγχειρίδιο ενδέχεται να αλλάξουν χωρίς προειδοποίηση.
- Τα τεχνικά χαρακτηριστικά μπορεί να διαφέρουν ανάλογα με τη χώρα.
- Οι διαστάσεις είναι με BL4025 και με το κεφάλι μπροστά.

Δοχείο μπαταρίας και φορτιστής που χρησιμοποιούνται

Δοχείο μπαταρίας	BL4020 / BL4025 / BL4040 / BL4050F / BL4080F
Φορτιστής	DC40RA / DC40RB / DC40RC

- Ορισμένες από τις παραπάνω μπαταρίες ενδέχεται να μην είναι διαθέσιμες, ανάλογα με την περιοχή σας.

⚠ ΠΡΟΕΙΔΟΠΟΙΗΣΗ: Χρησιμοποιείτε μόνο τις μπαταρίες και φορτιστές που αναφέρονται πιο πάνω. Η χρήση οποιουδήποτε άλλου δοχείου μπαταρίας και φορτιστή μπορεί να προκαλέσει τραυματισμό ή/και πυρκαγιά.

Χρόνος λειτουργίας

Δοχείο μπαταρίας	Χρόνος λειτουργίας (κατά προσέγγιση)			
	Προβολέας θέατρου	Διάχυτο φως	Προβολέας θέατρου + Διάχυτο φως	Στροβοσκόπιο
BL4020	5,0 ώρες	5,0 ώρες	3,5 ώρες	5,0 ώρες
BL4025	6,5 ώρες	6,5 ώρες	4,5 ώρες	6,5 ώρες
BL4040	10 ώρες	10 ώρες	7,5 ώρες	10 ώρες
BL4050F	13 ώρες	13 ώρες	9,5 ώρες	13 ώρες
BL4080F	22 ώρες	22 ώρες	16 ώρες	22 ώρες

- Οι χρόνοι λειτουργίας στον παραπάνω πίνακα είναι ενδεικτικοί και κατά προσέγγιση. Μπορεί να διαφέρουν από τους πραγματικούς χρόνους λειτουργίας.
- Οι χρόνοι λειτουργίας μπορεί να διαφέρουν ανάλογα με τον τύπο της μπαταρίας, την κατάσταση φόρτισης και τις συνθήκες χρήσης.
- Το δοχείο μπαταρίας μπορεί να διαφέρει από χώρα σε χώρα.

Σύμβολα

Παρακάτω μπορείτε να δείτε τα σύμβολα που χρησιμοποιούνται για το προϊόν αυτό. Πριν χρησιμοποιήσετε το προϊόν, θα πρέπει να είστε σίγουροι ότι κατανοείτε τη σημασία αυτών των συμβόλων.



- Διαβάστε το εγχειρίδιο οδηγιών



- Μόνο για εσωτερική χρήση



- Μόνο για τις χώρες της Ευρωπαϊκής Ένωσης

Λόγω της παρουσίας επικίνδυνων εξαρτημάτων στον εξοπλισμό, τα απόβλητα ηλεκτρικού και ηλεκτρονικού εξοπλισμού, συσσωρευτών και μπαταριών μπορεί να έχουν αρνητικό αντίκτυπο στο περιβάλλον και την ανθρώπινη υγεία.

Μην απορρίπτετε ηλεκτρικές και ηλεκτρονικές συσκευές ή μπαταρίες μαζί με τα οικιακά απορρίμματα!

Σύμφωνα με την Ευρωπαϊκή Οδηγία για τα απόβλητα ηλεκτρικού και ηλεκτρονικού εξοπλισμού και συσσωρευτών και μπαταριών και συσσωρευτών αποβλήτων και ηλεκτρικών στηλών, καθώς και την προσαρμογή τους στην εθνική νομοθεσία, τα απόβλητα ηλεκτρικού εξοπλισμού, μπαταριών και συσσωρευτών πρέπει να αποθηκεύονται χωριστά και να παραδίδονται σε ξεχωριστό σημείο συλλογής για τα αστικά απόβλητα, λειτουργώντας σύμφωνα με τους κανονισμούς για την προστασία του περιβάλλοντος.

Αυτό υποδεικνύεται από το σύμβολο του διαγραμμένου κάδου απορριμμάτων που βρίσκεται στον εξοπλισμό.



- Οπτική ακτινοβολία (UV και IR). Ελαχιστοποιήστε την έκθεση των ματιών και του δέρματος.



- Μην κοιτάζετε τον φακό όταν είναι αναμμένος.



- Χρησιμοποιήστε κατάλληλο εξοπλισμό προστασίας των ματιών.



- Απαιτείται ιδιαίτερη προσοχή!

ΠΡΟΦΥΛΑΞΕΙΣ ΑΣΦΑΛΕΙΑΣ

ΣΗΜΑΝΤΙΚΕΣ ΟΔΗΓΙΕΣ ΑΣΦΑΛΕΙΑΣ

⚠ ΠΡΟΕΙΔΟΠΟΙΗΣΗ: Όταν χρησιμοποιείτε ηλεκτρικά εργαλεία, πρέπει πάντα να ακολουθείτε τις βασικές προφυλάξεις ασφαλείας ώστε να μειώσετε τον κίνδυνο πυρκαγιάς, ηλεκτροπληξίας και τραυματισμού. Οι προφυλάξεις αυτές περιλαμβάνουν τα εξής:

ΔΙΑΒΑΣΤΕ ΟΛΕΣ ΤΙΣ ΟΔΗΓΙΕΣ.

1. Μην κοιτάζετε απευθείας το φως και μην εκθέτετε τα μάτια σας σε αυτό. Τα μάτια σας μπορεί να πάθουν βλάβη.
2. Μην καλύπτετε τη λάμπα με πανί ή χαρτόνι κλπ, διαφορετικά μπορεί να προκληθεί ανάφλεξη.
3. Η συσκευή δεν είναι αδιάβροχη. Μην το χρησιμοποιείτε σε χώρους με υγρασία ή νερά. Μην το εκθέτετε σε βροχή ή χιόνι. Μην το πλένετε σε νερό.
4. Μην αγγίζετε το εσωτερικό της συσκευής μετσιμπίδακια, μεταλλικά εργαλεία, κτλ.
5. Όταν δεν χρησιμοποιείτε τη συσκευή, θα πρέπει πάντα να την απενεργοποιείτε και να αφαιρείτε το δοχείο μπαταρίας από τη συσκευή.
6. Μην προκαλείτε κραδασμούς στη συσκευή αφήνοντας τη να πέσει κάτω ή χτυπώντας τη, κτλ.
7. Πληροφορίες ασφαλείας για φορητά φωτιστικά σώματα με μπαταρίες.
 - Η απόρριψη των μπαταριών πρέπει να πραγματοποιείται σύμφωνα με τους κανονισμούς της χώρας σας που αναφέρονται στην απόρριψη επικίνδυνων υλικών.
 - Μην αποτεφρώσετε την μπαταρία.
8. Πρόσθετες πληροφορίες για φωτιστικά σώματα.
9. Χρήση και φροντίδα μπαταρίας.
 - ΠΡΟΕΙΔΟΠΟΙΗΣΗ: Διαβάστε πλήρως όλες τις προειδοποιήσεις ασφαλείας και τις οδηγίες. Η μη τήρηση όλων των προειδοποιήσεων και των οδηγιών μπορεί να οδηγήσει σε ηλεκτροπληξία, πυρκαγιά ή/και σοβαρό τραυματισμό.
 - Λάβετε τα απαραίτητα μέτρα ώστε να μην είναι δυνατό να τεθεί ακούσια σε λειτουργία η συσκευή. Πριν συνδέσετε τη συσκευή με την μπαταρία και πριν από κάθε μετακίνηση ή μεταφορά της, θα πρέπει να διασφαλίζετε ότι ο διακόπτης βρίσκεται στη θέση απενεργοποίησης. Αν μεταφέρετε τη συσκευή έχοντας το δάχτυλό σας στον διακόπτη ή τη φορτίσετε με τον διακόπτη στη θέση ενεργοποίησης, υπάρχει κίνδυνος ατυχήματος.
 - Αποσυνδέετε την μπαταρία από τη συσκευή πριν από οποιαδήποτε προσαρμογή, αλλαγή εξαρτήματος ή φύλαξη. Αυτά τα προληπτικά μέτρα ασφαλείας μειώνουν τον κίνδυνο ακούσιας ενεργοποίησης της συσκευής.

- Η επαναφόρτιση της συσκευής θα πρέπει να γίνεται μόνο με τον φορτιστή που προβλέπει ο κατασκευαστής. Ένας φορτιστής που είναι κατάλληλος για έναν τύπο μπαταρίας μπορεί να προκαλέσει κίνδυνο πυρκαγιάς, αν χρησιμοποιηθεί με άλλη μπαταρία.
- Χρησιμοποιείτε τη συσκευή αποκλειστικά και μόνο με τις προβλεπόμενες μπαταρίες. Η χρήση οποιασδήποτε άλλης μπαταρίας μπορεί να προκαλέσει κίνδυνο τραυματισμού και πυρκαγιάς.
- Όταν δεν χρησιμοποιείτε την μπαταρία, θα πρέπει να τη φυλάτε μακριά από άλλα μεταλλικά αντικείμενα, όπως συνδετήρες, νομίσματα, κλειδιά, καρφιά, βίδες ή άλλα μικρά μεταλλικά αντικείμενα που θα μπορούσαν να προκαλέσουν τη σύνδεση των δύο πόλων. Η βραχυκύκλωση των πόλων της μπαταρίας μπορεί να προκαλέσει εγκαύματα ή πυρκαγιά.
- Σε συνθήκες κακής χρήσης, ενδέχεται να παρατηρηθεί διαρροή υγρών από την μπαταρία. Αποφύγετε την επαφή. Σε περίπτωση ατυχήματος, ξεπλύνετε με νερό την περιοχή που ήρθε σε επαφή με τα υγρά της μπαταρίας. Αν εισέλθουν υγρά μπαταρίας στα μάτια σας, αφού τα ξεπλύνετε με νερό, ζητήστε ιατρική βοήθεια. Τα υγρά της μπαταρίας μπορεί να προκαλέσουν ερεθισμούς ή εγκαύματα.
- Μη χρησιμοποιείτε μπαταρίες ή συσκευές που έχουν παρουσιάσει βλάβη ή έχουν τροποποιηθεί. Οι ελαττωματικές ή τροποποιημένες μπαταρίες μπορεί να παρουσιάσουν απροσδόκητη συμπεριφορά και να προκαλέσουν πυρκαγιά, έκρηξη ή κίνδυνο τραυματισμού.
- Μην εκθέτετε την μπαταρία ή τη συσκευή σε φλόγες ή υπερβολικά υψηλές θερμοκρασίες. Η έκθεση σε φωτιά ή σε θερμοκρασία άνω των 130 °C (265 °F) μπορεί να προκαλέσει έκρηξη.
- Ακολουθείτε όλες τις οδηγίες φόρτισης και μη φορτίζετε την μπαταρία ή τη συσκευή σε θερμοκρασίες εκτός των ορίων που προβλέπονται στις σχετικές οδηγίες. Η ακατάλληλη φόρτιση ή η φόρτιση σε θερμοκρασίες εκτός των προβλεπόμενων ορίων μπορεί να προκαλέσει βλάβη στην μπαταρία και να αυξήσει τον κίνδυνο πυρκαγιάς.
- Το σέρβις της συσκευής θα πρέπει να γίνεται από εξειδικευμένο τεχνικό με πανομοιότυπα ανταλλακτικά. Με τον τρόπο αυτόν, διασφαλίζετε ότι το προϊόν σας θα παραμείνει ασφαλές.
- Μην τροποποιήσετε και μην επιχειρήσετε να επισκευάσετε τη συσκευή ή την μπαταρία, παρά μόνο εφόσον κάτι τέτοιο προβλέπεται από τις οδηγίες χρήσης και φροντίδας.
- Σε περίπτωση που εισέλθουν ηλεκτρολύτες στα μάτια σας, ξεπλύνετε τα με καθαρό νερό και ζητήστε αμέσως ιατρική βοήθεια. Υπάρχει κίνδυνος απώλειας όρασης.
- Μη βραχυκυκλώσετε το δοχείο της μπαταρίας.
- (1) Μην ακουμπήσετε τους πόλους της μπαταρίας με οποιοδήποτε αγώγιμο υλικό.
- (2) Αποφύγετε τη φύλαξη της μπαταρίας σε δοχείο με άλλα μεταλλικά αντικείμενα, όπως καρφιά, νομίσματα κ.λπ.
- (3) Μην αφήσετε την μπαταρία εκτεθειμένη σε νερό ή βροχή. Το βραχυκύκλωμα της μπαταρίας μπορεί να οδηγήσει σε υψηλή ροή ρεύματος, υπερθέρμανση, έγκαιμα ή ακόμα και καταστροφική βλάβη.
- Μην φυλάσσετε και χρησιμοποιείτε το εργαλείο και το δοχείο μπαταρίας σε σημεία όπου η θερμοκρασία μπορεί να φτάσει ή να ξεπεράσει τους 50 °C (122 °F).
- Μην αποτεφρώσετε την μπαταρία, ακόμα κι αν είναι εντελώς κατεστραμμένη ή άδεια. Η μπαταρία μπορεί να εκραγεί στη φωτιά.
- Μην καρφώνετε, κόβετε, συνθλίβετε, πετάτε το δοχείο μπαταρίας ούτε να το αφήσετε να σας πέσει ή να χτυπήσει σε σκληρό αντικείμενο. Οι εν λόγω ενέργειες μπορούν να προκαλέσουν πυρκαγιά, υπερβολική θερμότητα ή έκρηξη.
- Μην χρησιμοποιήσετε μια μπαταρία που έχει παρουσιάσει βλάβη.
- Οι παρεχόμενες μπαταρίες ιόντων λιθίου υπόκεινται στις απαιτήσεις της νομοθεσίας για τα επικίνδυνα αγαθά. Για τις εμπορικές μεταφορές, π.χ. από τρίτους ή μεταφορικές εταιρείες, πρέπει να τηρούνται οι ειδικές απαιτήσεις για τη συσκευασία και τη σήμανση. Για την προετοιμασία του προϊόντος προς μεταφορά, απαιτείται η συνδρομή ειδικού για τα επικίνδυνα υλικά. Επίσης, οφείλτε να τηρείτε τη νομοθεσία της χώρας σας, η οποία ενδέχεται να προβλέπει περισσότερες απαιτήσεις. Καλύψτε με ταινία ή άλλα μέσα τις ανοιχτές επαφές και συσκευάστε την μπαταρία έτσι ώστε να μην μπορεί να μετακινηθεί μέσα στη συσκευασία της.
- Κατά την απόρριψη της κασέτας μπαταρίας, αφαιρέστε την από τη συσκευή και απορρίψτε την σε ασφαλές μέρος. Οφείλτε να ακολουθείτε τους τοπικούς κανονισμούς για την απόρριψη των μπαταριών.
- Χρησιμοποιήστε τις μπαταρίες μόνο με τα προϊόντα που προβλέπει η Makita. Η τοποθέτηση των μπαταριών σε μη συμβατά προϊόντα μπορεί να προκαλέσει πυρκαγιά, υπερβολική θερμότητα, έκρηξη ή διαρροή ηλεκτρολυτών.
- Αν δεν πρόκειται να χρησιμοποιήσετε το εργαλείο για μεγάλο χρονικό διάστημα, αφαιρέστε την μπαταρία.
- Κατά τη χρήση και μετά από αυτή, το δοχείο μπαταρίας απορροφά θερμότητα που ενδέχεται να προκαλέσει εγκαύματα λόγω υψηλής ή χαμηλής θερμοκρασίας. Επιδείξτε προσοχή κατά τον χειρισμό των καυτών δοχείων μπαταρίας.
- Μην αγγίζετε τον ακροδέκτη του εργαλείου αμέσως μετά τη χρήση, επειδή μπορεί να γίνεται αρκετά ζεστό ώστε να προκαλέσει εγκαύματα.

Σημαντικές πληροφορίες ασφάλειας για την μπαταρία

- Πριν χρησιμοποιήσετε την μπαταρία, διαβάστε όλες τις οδηγίες και τις επισημάνσεις για (1) τον φορτιστή, (2) την μπαταρία και (3) το προϊόν με μπαταρία.
- Μην αποσυνδέετε ή αλλοιώνετε το δοχείο της μπαταρίας. Μπορεί να προκληθεί πυρκαγιά, υπερβολική θερμότητα ή έκρηξη.
- Αν έχει μειωθεί σημαντικά ο χρόνος λειτουργίας, σταματήστε άμεσα να χρησιμοποιείτε τη συσκευή. Υπάρχει κίνδυνος υπερθέρμανσης, εγκαύματος ή ακόμα και έκρηξης.

- Μην αφήνετε θραύσματα, σκόνη ή χρώμα μέσα στους ακροδέκτες, τις οπές ή τις αυλακώσεις του δοχείου μπαταρίας. Μπορεί να έχει ως αποτέλεσμα τη χαμηλή απόδοση ή τη βλάβη του δοχείου μπαταρίας.
- Εκτός εάν το εργαλείο υποστηρίζει τις κοντινές γραμμές μεταφοράς ηλεκτρικής ενέργειας υψηλής τάσης, μην χρησιμοποιείτε το δοχείο μπαταρίας σε κοντινή απόσταση από αυτές. Μπορεί να προκληθεί πολλαπλή δυσλειτουργία ή βλάβη του εργαλείου ή του δοχείου μπαταρίας.
- Η μπαταρία να φυλάσσεται μακριά από τα παιδιά.

ΚΡΑΤΗΣΤΕ ΑΥΤΕΣ ΤΙΣ ΟΔΗΓΙΕΣ.

⚠ ΠΡΟΣΟΧΗ: Χρησιμοποιείτε μόνο αυθεντικές μπαταρίες Makita. Η χρήση μη αυθεντικών μπαταριών Makita ή τροποποιημένων μπαταριών μπορεί να οδηγήσει σε ανάφλεξη της μπαταρίας και, κατά συνέπεια, σε πυρκαγιά, τραυματισμό και υλικές ζημιές. Επίσης, καθιστά άκυρη την εγγύηση της Makita για το εργαλείο και τον φορτιστή.

Συμβουλές για μέγιστη διάρκεια μπαταρίας

1. Φορτίζετε την μπαταρία προτού αποφορτιστεί πλήρως. Όταν παρατηρείτε μειωμένη ισχύ στο εργαλείο, πάντοτε να σταματάτε τη λειτουργία και να φορτίζετε τη μπαταρία.
2. Μην επαναφορτίζετε ποτέ την μπαταρία ενώ είναι ήδη πλήρως φορτισμένη. Η υπερφόρτιση μειώνει τη διάρκεια ζωής της μπαταρίας.
3. Φορτίζετε την μπαταρία σε περιβάλλον με θερμοκρασία 10 °C - 40 °C (50 °F - 104 °F). Αν η μπαταρία είναι ζεστή, περιμένετε να κρυώσει πριν τη φορτίσετε.
4. Όταν το δοχείο μπαταρίας δεν χρησιμοποιείται, αφαιρέστε το από το συσκευή ή τον φορτιστή.
5. Φορτίστε την μπαταρία, αν δεν την έχετε χρησιμοποιήσει για μεγάλο διάστημα (πάνω από έξι μήνες).

ΠΕΡΙΓΡΑΦΗ ΛΕΙΤΟΥΡΓΙΑΣ

⚠ ΠΡΟΣΟΧΗ: Πάντα να βεβαιώνετε πως το εργαλείο είναι απενεργοποιημένο και η θήκη μπαταρίας έχει αφαιρεθεί προτού προσαρμόσετε ή ελέγξετε τη λειτουργία του εργαλείου.

Εγκατάσταση ή αφαίρεση θήκης μπαταρίας (Fig. 1)

- ⚠ ΠΡΟΣΟΧΗ:** Πάντα να κλείνετε το εργαλείο προτού αφαιρέσετε τη θήκη της μπαταρίας.
- ⚠ ΠΡΟΣΟΧΗ:** Κρατάτε σταθερά το εργαλείο και τη θήκη μπαταρίας κατά την εγκατάσταση ή την αφαίρεση της θήκης αυτής. Αν δεν κρατάτε σταθερά το εργαλείο και τη θήκη μπαταρίας, μπορεί να σας γλιστρήσουν και να φθαρούν, ή να τραυματιστείτε.

Για να αφαιρέσετε την μπαταρία, τραβήξτε την έξω από το εργαλείο σύροντας ταυτόχρονα το κουμπί που υπάρχει στην μπροστινή πλευρά. Για να εγκαταστήσετε τη θήκη μπαταρίας, ευθυγραμμίστε το γλωσσίδι της θήκης μπαταρίας με την αύλακα της θήκης και κυλήστε το μέχρι να μπει στη θέση του. Πιέστε την μπαταρία μέχρι να ακούσετε τον χαρακτηριστικό ήχο που υποδηλώνει ότι έχει ασφαλιστεί στη θέση της. Εάν μπορείτε να δείτε την κόκκινη ένδειξη όπως φαίνεται στην εικόνα, δεν έχει κλειδώσει τελείως.

⚠ ΠΡΟΣΟΧΗ: Τοποθετήστε σωστά την μπαταρία, έτσι ώστε να μην είναι εμφανής η κόκκινη ένδειξη. Αλλιώς, μπορεί να πέσει κατά λάθος από το εργαλείο και να τραυματιστείτε εσείς ή κάποιος άλλος κοντά σας.

⚠ ΠΡΟΣΟΧΗ: Μην ασκήσετε δύναμη για να τοποθετήσετε την μπαταρία. Αν δεν μπορείτε να σύρετε με ευκολία την μπαταρία στη θέση της, αυτό σημαίνει ότι δεν την τοποθετείτε σωστά.

Ένδειξη της υπολειπόμενης χωρητικότητας της μπαταρίας (Fig. 2)

Πατήστε το κουμπί ελέγχου στην μπαταρία για να δείτε την υπολειπόμενη χωρητικότητα. Η ενδεικτική λυχνία ανάβει για λίγα δευτερόλεπτα.

Ενδεικτικές λυχνίες			Υπολειπόμενη χωρητικότητα
Αναμμένες	Σβηστές	Αναβοσβήνον	
■ ■ ■ ■	□	▣	75 % έως 100 %
■ ■ ■ □	□	□	50 % έως 75 %
■ ■ □ □	□	□	25 % έως 50 %
■ □ □ □	□	□	0 % έως 25 %
▣ □ □ □	□	□	Φορτίστε την μπαταρία.
■ ■ □ □	□	□	Η μπαταρία μπορεί να έχει παρουσιάσει κάποια δυσλειτουργία.
□ □ ■ ■	□	□	

ΣΗΜΕΙΩΣΗ: Ανάλογα με τις συνθήκες χρήσης και τη θερμοκρασία περιβάλλοντος, η ένδειξη μπορεί να διαφέρει ελαφρά από την πραγματική χωρητικότητα.

ΣΗΜΕΙΩΣΗ: Η πρώτη (άκρη αριστερά) ενδεικτική λυχνία θα αναβοσβήνει κατά τη λειτουργία του συστήματος προστασίας της μπαταρίας.

Ενεργοποίηση του φωτός (Fig. 3)

⚠ ΠΡΟΣΟΧΗ: Μην κοιτάζετε απευθείας στην πηγή του φωτός.

Πατήστε το κουμπί ενεργοποίησης για να το ανάψετε. Για να το σβήσετε, πατήστε το ίδιο κουμπί ξανά.

ΣΗΜΕΙΩΣΗ: Η συσκευή ανάβει στην ίδια λειτουργία που είχε με την τελευταία ρύθμιση.

Επιλογή λειτουργίας

Ενώ το φως είναι αναμμένο, πατήστε το κουμπί **MODE** για να μεταβείτε κυκλικά μεταξύ των ρυθμίσεων **Προβολέας θεάτρου**, **Διάχυτο φως** και **Προβολέας θεάτρου + Διάχυτο φως**.

Ενεργοποίηση φωτισμού στροβοσκόπιου (Fig. 4)

Πατήστε και κρατήστε πατημένο το κουμπί **MODE** μέχρι να γυρίσει η συσκευή σε λειτουργία **στροβοσκόπιου**. Για να απενεργοποιήσετε αυτή τη λειτουργία στροβοσκόπιου, απλά πατήστε το κουμπί **MODE**.

Σύστημα προστασίας συσκευής / μπαταρίας

Η συσκευή διαθέτει σύστημα προστασίας που κόβει αυτόματα την παροχή ρεύματος, για μεγαλύτερη διάρκεια ζωής.

Προστασία από υπερεκφόρτιση (Fig. 5)

Όταν η χωρητικότητα της μπαταρίας μειωθεί, οι ενδεικτικές λυχνίες **LED** σβήνουν εκτός από ένα **LED**. Έπειτα, περίπου πέντε έως δέκα λεπτά αργότερα, το σύστημα διακόπτει αυτόματα την τροφοδοσία.

Προστασία έναντι άλλων αιτιών

Το σύστημα προστασίας έχει σχεδιαστεί επίσης για άλλες αιτίες που θα μπορούσαν να βλάψουν τη συσκευή και επιτρέπει στη συσκευή να σταματά αυτόματα. Λάβετε όλα τα παρακάτω βήματα για να εξαλείψετε τις αιτίες όταν η συσκευή έχει τεθεί σε προσωρινή διακοπή λειτουργίας ή διακοπή λειτουργίας.

1. Απενεργοποιήστε τη συσκευή και ενεργοποιήστε την ξανά για επανεκκίνηση.
2. Φορτίστε τις μπαταρίες ή αντικαταστήστε τις με επαναφορτισμένη μπαταρία.
3. Αφήστε τη συσκευή και την μπαταρία να κρυώσουν. Εάν δεν μπορεί να βρεθεί καμία βελτίωση με την επαναφορά του συστήματος προστασίας, τότε επικοινωνήστε με το τοπικό σας Κέντρο Εξυπηρέτησης της Makita.

Γωνία κεφαλής (Fig. 6)

⚠ ΠΡΟΣΟΧΗ: Κατά την αλλαγή της γωνίας κεφαλής, προσέξτε να μην πιάσετε τα δάχτυλά σας μεταξύ της κεφαλής και του σώματος του εργαλείου.

Η κεφαλή μπορεί να ρυθμιστεί σε 4 φάσεις.

Άγκιστρο (Fig. 7)

⚠ ΠΡΟΣΟΧΗ: Όταν σηκώνετε το άγκιστρο, προσέξτε να μην πιάσετε τα δάχτυλά σας μεταξύ του άγκιστρου και του σώματος του εργαλείου.

Ιμάντας ώμου (Fig. 8)

Το λουρί ώμου μπορεί να προσαρμοστεί με κλιπ και στα δυο άκρα του.

⚠ ΠΡΟΣΟΧΗ: Μην χρησιμοποιείτε τον δακτύλιο για άλλο σκοπό εκτός από το να κρεμάσετε τη συσκευή. Διαφορετικά, μπορεί να προκληθεί προσωπικός τραυματισμός.

ΣΥΝΤΗΡΗΣΗ

⚠ ΠΡΟΣΟΧΗ: Πάντα να φρονίζετε να είναι απενεργοποιημένο το εργαλείο και να έχει αφαιρεθεί η μπαταρία πριν από οποιαδήποτε απόπειρα επιθεώρησης ή συντήρησης.

ΕΙΔΟΠΟΙΗΣΗ: Μην χρησιμοποιείτε ποτέ βενζίνη, διαλυτικό, οινόπνευμα ή άλλες παρόμοιες ουσίες. Μπορεί να προκληθεί αποχρωματισμός ή παραμόρφωση, ή να δημιουργηθούν ρωγμές.

Για να διατηρήσετε τη **ΑΣΦΑΛΕΙΑ** και την **ΑΞΙΟΠΙΣΤΙΑ** του εργαλείου, οι επισκευές και οποιαδήποτε άλλη συντήρηση ή προσαρμογή θα πρέπει να πραγματοποιείται από τα Κέντρα Επισκευών του Εργοστασίου Makita ή από εξουσιοδοτημένους αντιπροσώπους, και πάντα με χρήση ανταλλακτικών Makita.

ΠΡΟΑΙΡΕΤΙΚΑ ΕΞΑΡΤΗΜΑΤΑ

⚠ ΠΡΟΣΟΧΗ: Αυτά τα εξαρτήματα ή προσαρτήματα συνιστώνται για χρήση με το εργαλείο Makita που αναφέρεται στο παρόν εγχειρίδιο. Η χρήση άλλων εξαρτημάτων ή παρελκόμενων μπορεί να επιφέρει κίνδυνο τραυματισμού. Χρησιμοποιείτε τα εξαρτήματα ή τα παρελκόμενα σύμφωνα με την προβλεπόμενη χρήση τους και μόνο.

Αν χρειαστείτε οποιαδήποτε βοήθεια για περισσότερες λεπτομέρειες σχετικά με αυτά τα ανταλλακτικά, απευθυνθείτε στο τοπικό σας Κέντρο Εξυπηρέτησης Makita.

- Αυθεντική μπαταρία και φορτιστής Makita.

ΣΗΜΕΙΩΣΗ: Ορισμένα στοιχεία του καταλόγου μπορεί να περιλαμβάνονται στο πακέτο του εργαλείου ως βασικά εξαρτήματα. Ενδέχεται να διαφέρουν ανάλογα με τη χώρα.

TÜRKÇE (Orijinal talimatlar)

Genel görünümle ilgili açıklama

1. PİL kartuşu
2. Kırmızı gösterge
3. PİL serbest bırakma düğmesi
4. Gösterge lambaları
5. Kontrol düğmesi
6. Güç düğmesi
7. MODE düğmesi
8. Taşkın modu
9. Nokta + taşkın modu
10. Nokta modu
11. Kanca
12. Omuz askılığı
13. Klip

TEKNİK DEĞERLER

Model	ML007G
LED	Nokta: 1 adet /Taşkın: 16 adet (Kayış: 17 adet)
Ölçüler (U × G × Y)	323 mm × 120 mm × 118 mm
Nominal gerilim	D.C. 36 V - 40 V maks
Net ağırlık (pil kartuşu olmadan ve omuz Askısı)	0,95 kg

- Devam eden araştırma ve geliştirme programımız sebebiyle buradaki teknik değerler haber verilmeksizin değişikliğe tabidir.
- Teknik değerler ülkeden ülkeye değişebilir.
- Boyutlar BL4025 ve baş öne bakacak şekildedir.

Kullanılabilen pil kartuşu ve şarj cihazı

Pil kartuşu	BL4020 / BL4025 / BL4040 / BL4050F / BL4080F
Şarj cihazı	DC40RA / DC40RB / DC40RC

- Yukarıda listelenen pil kartuşlarından bazıları bulunduğunuz bölgeye bağlı olarak mevcut olmayabilir.

⚠ UYARI: Yalnızca yukarıda listelenen pil kartuşlarını ve şarj cihazlarını kullanınız. Başka herhangi bir pil kartuşunun ve şarj cihazının kullanılması yaralanma ve/veya yangına yol açabilir.

Çalışma süresi

Pil kartuşu	Çalışma ömrü (yaklaşık)			
	Nokta	Taşkın	Nokta + taşkın	Kayış
BL4020	5,0 saat	5,0 saat	3,5 saat	5,0 saat
BL4025	6,5 saat	6,5 saat	4,5 saat	6,5 saat
BL4040	10 saat	10 saat	7,5 saat	10 saat
BL4050F	13 saat	13 saat	9,5 saat	13 saat
BL4080F	22 saat	22 saat	16 saat	22 saat

- Tabloda verilen çalışma süreleri ortalama bir kılavuzdur. Tabloda verilen çalışma süreleri gerçek çalışma sürelerinden farklı olabilir.
- Çalışma ömürleri pil tipleri, şarj durumu ve kullanım şartlarına bağlı olarak değişebilir.
- Pil kartuşları ülkeden ülkeye değişebilir.

Semboller

Aşağıda bu ekipman için kullanılan semboller gösterilmiştir. Kullanmadan önce bunların anlamını öğrendiğinizden emin olun.



- Kullanım talimatını okuyun



- Yalnızca iç mekan kullanımına uygundur



- Sadece AB ülkeleri için
Ekipman içerisinde tehlikeli bileşenlerin bulunması nedeniyle atık elektrikli ve elektronik ekipmanlar, akümülatörler ve piller çevre ve insan sağlığını olumsuz etkileyebilir.
Elektrikli ve elektronik cihazları veya pilleri evsel atıklarla birlikte atmayın!
Elektrikli atık ve elektronik ekipman, akümülatörler ve piller, atık akümülatörler ve piller ile bunların ilişkin Avrupa Direktifi ve ulusal hukuka uyarlanmasına uyarınca, elektrikli atık ekipman, pil ve akümülatörler ayrı olarak depolanmalı ve çevre koruma yönetmeliklerine göre belediye atıkları olarak ayrı bir toplama noktasına sevk edilmelidir. Bu, ekipmanın üzerine yerleştirilmiş çizili tekerlekli çöp kutusu simgesiyle gösterilir.



- Optik Radyasyon (UV ve IR).
Göz veya cilt maruziyetini en aza indirin.



- Çalışan lambaya sürekli bakmayın.



- Uygun muhafaza veya göz koruması kullanın.



- Daha dikkatli olun!

GÜVENLİK UYARILARI

ÖNEMLİ GÜVENLİK TALİMATLARI

⚠ UYARI: Elektrikli aletler kullanılırken aşağıdaki talimatlar dahil olmak üzere; yangın, elektrik çarpması ve kişisel yaralanma risklerini azaltmak için her zaman temel güvenlik önlemleri alınmalıdır:

TÜM TALİMATLARI OKUYUN.

1. Işığa direk olarak bakmayın ya da gözlerinizi ışığa maruz bırakmayın. Gözlerinizi zarar görebilir.
2. Lambayı bir bez veya karton vb. ile kapatmayın. Aksi takdirde, alev almasına yol açabilir.
3. Cihaz su geçirmez değildir. Nemli ya da ıslak ortamlarda kullanmayın. Yağmura ya da kara maruz bırakmayın. Suda yıkamayın.
4. Cihazın içine cımbız, metal aletler vb. ile dokunmayın.
5. Cihaz kullanılmadığı zaman daima kapalı tutun ve pil kartuşunu cihazdan çıkarın.
6. Düşürme, çarpma vb. hareketler ile cihaza hasar vermeyin.
7. Pili, taşınabilir lambalar için güvenlik bilgileri.
 - Pilin, tehlikeli materyallerin atılmasını ele alan yerel mevzuata uygun şekilde atılması gerekir.
 - Pili yakmayın.
8. Lambalar için ek bilgiler.
 - Bu lambanın ışık kaynağı değiştirilemez; ışık kaynağının kullanım ömrü sona erdiğinde tüm lamba değiştirilecektir.
9. Pil aletinin kullanımını ve bakımı.
 - UYARI: Tüm güvenlik uyarılarını ve talimatlarını okuyun. Uyarıların ve talimatların uygulanmaması elektrik çarpması, yangın ve/veya ciddi yaralanma ile sonuçlanabilir.
 - İstmeden çalıştırmayı önleyin. Pil grubunu bağlamadan önce, cihazı yerden kaldırmadan veya taşımadan önce şalterin kapalı olduğundan emin olun. Cihazı parmağınız şalterin üzerindeyken veya cihaza enerji verilmişken taşımak kazalara davetiye çıkarır.
 - Herhangi bir ayarlama yapmadan, aksesuarları değiştirmeden ya da cihazı saklamadan önce pil grubunu cihazdan ayırın. Bu tür önleyici güvenlik tedbirleri, cihazı kazara çalıştırma riskini azaltır.
 - Sadece üretici tarafından belirtilen şarj cihazıyla şarj edin. Bir pil grubuna uygun olan şarj aleti başka bir pil grubuyla kullanıldığı zaman yangın riski oluşturabilir.
 - Cihazları sadece özel olarak belirlenmiş pil grubuyla kullanın. Başka herhangi bir pil grubunun kullanılması yaralanma ve yangın riski oluşturabilir.
 - Pil grubu kullanılmadığı zaman, pil grubunu bir kutup ile diğeri arasında bağlantı yapabilecek ataş, madeni para, anahtar, çivi, vida veya diğer küçük metal cisimlerden uzak tutun. Pil kutuplarını kısa devre etmek yanıklara veya yangına yol açabilir.
 - Yanlış kullanım şartlarında pilden sıvı kaçağı olabilir, temas etmeyin. Yanlışlıkla temas olursa suyla yıkayın. Sıvı gözlere temas ederse ayrıca bir doktordan yardım isteyin. Pilden sızan sıvı iritasyon veya yanıklara yol açabilir.

- Hasarlı veya modifiye edilmiş bir pil grubu ya da cihazı kullanmayın. Hasarlı ya da modifiye edilmiş piller yangın, patlama veya yaralanma riskiyle sonuçlanabilecek beklenmedik tepkiler verebilir.
- Pil grubunu ya da cihazı ateşe veya aşırı sıcaklığa maruz bırakmayın. Yangına ya da 130 °C'nin (265 °F) üzerindeki sıcaklıklara maruz kalma patlamaya neden olabilir.
- Tüm şarj talimatlarına uyun ve pil grubunu veya cihazı talimatlarda belirtilen sıcaklık aralığının dışında şarj etmeyin. Uygun olmayan şekilde veya belirlenmiş sıcaklık aralığının dışında şarj etmek, pile hasar verebilir ve yangın riskini yükseltebilir.
- Yalnızca aynı yedek parçaları kullanılan kalifiye bir tamirci tarafından servis uygulanmasını sağlayın. Bu, ürün güvenliğinin korunmasını sağlayacaktır.
- Cihazı ya da pil grubunu kullanın ve bakım talimatlarında gösterilen haricinde modifiye etmeyin veya tamir etmeye çalışmayın.

Pil kartuşu ile ilgili önemli güvenlik talimatları

- Pil kartuşunu kullanmadan önce tüm talimatları (1) pil şarj aleti, (2) pil ve (3) pili kullanan ürün üzerindeki uyarı işaretlerini okuyun.
- Pil kartuşunu demonte etmeyin ya da kurcalamayın. Bu, yangın, aşırı ısı ya da patlama ile sonuçlanabilir.
- Çalışma süresi aşırı derecede kısalsa cihazı derhal durdurun. Aşırı ısınma, yanık ve hatta patlama riski meydana gelebilir.
- Elektrolit gözlerinize girerse temiz suyla yıkayın ve derhal tıbbi tedavi alın. Görme duyunuz kaybedebilirsiniz.
- Pil kartuşunda kısa devre yapmayın.
- (1) Kutuplara herhangi bir iletken malzemeyle dokunmayın.
- (2) Pil kartuşunu içinde çiviler, madeni paralar gibi metal cisimlerin olduğu kaplarda saklamayın.
- (3) Pil kartuşunu suya veya yağmura maruz bırakmayın. Pilin kısa devre olması, fazla akım geçişine, aşırı ısınmaya, yanıklara ve hatta delinmeye yol açabilir.
- Aleti ya da pil kartuşunu sıcaklığın 50 °C'ye (122 °F) ulaşabileceği veya bu sıcaklığı aşabileceği yerlerde saklamayın ve kullanmayın.
- Ciddi bir şekilde hasar görmüş veya tamamen yıpranmış olsa bile pil kartuşunu yakmayın. Pil kartuşu ateşe atıldığında patlayabilir.
- Pil kartuşunu çivilemeyin, kesmeyin, çarpmayın, fırlatmayın, düşürmeyin ya da sert bir nesneyi pil kartuşuna vurmuyun. Bu türde bir davranış; yangın, aşırı ısı ya da patlama ile sonuçlanabilir.
- Hasarlı bir pili kullanmayın.
- Cihazdaki lityum iyon piller Tehlikeli Maddeler Mevzuatı şartlarına tabidir. Örn. üçüncü firmalar, nakliye acentaları tarafından ticari nakliye işlemlerinde ambalajlama ve etiketleme ile ilgili özel şartlara uyulmalıdır. Gönderilen ürünün hazırlığında bir tehlikeli madde uzmanına başvurulması gerekmektedir. Lütfen aynı zamanda daha detaylı ulusal yönetmeliklere uyun. Açık kontak uçlarını bantlayın veya maskeleyin ve pili ambalaj içinde hareket edemeyecek şekilde sarın.

- Pil kartuşunu atarken, cihazdan çıkarın ve güvenli bir yere atın.
- Pilin imhası ile ilgili yerel yönetmeliklerinize uyun.
- Bu pilleri sadece Makita tarafından belirtilen ürünlerle birlikte kullanın. Pillerin uygun olmayan ürünlere takılması yangın, aşırı ısınma, patlama veya elektrolit kaçağına yol açabilir.
- Cihaz uzun bir süre kullanılmıyacaksa pil cihazdan çıkarılmalıdır.
- Kullanım sırasında ve sonrasında pil kartuşu, yanıklara ya da düşük sıcaklık yanıklarına yol açabilecek şekilde ısınabilir. Sıcak pil kartuşlarını tutarken dikkatli olun.
- Yanıklara yol açabilecek kadar ısınmış olabileceği için kullanımdan hemen sonra alet kutbuna dokunmayın.
- Pil kartuşunun kutuplarına, deliklerine ve kanallarına parçacıkların, tozun ya da toprağın yapışmasına izin vermeyin. Bu durum, yetersiz performans ya da aletin veya pil kartuşunun bozulması ile sonuçlanabilir.
- Alet, yüksek gerilimli elektrik güç hatlarının yakınında kullanımı desteklemediği sürece pil kartuşunu, yüksek gerilimli elektrik güç hatlarının yakınında kullanmayın. Bu durum, arıza ya da aletin veya pil kartuşunun bozulması ile sonuçlanabilir.
- Pili, çocuklardan uzaktaki tutun.

BU TALİMATLARI SAKLAYIN.

▲ DİKKAT: Yalnızca orijinal Makita pilleri kullanın. Orijinal olmayan Makita pillerinin veya değiştirilmiş pillerin kullanımı, pilin patlamasına ve bunun sonucunda yangın, kişisel yaralanma ve hasara yol açabilir. Ayrıca Makita cihazı ve şarj cihazı için geçerli Makita garantisini geçersiz hale getirir.

Maksimum pil ömrünü korumak için ipuçları

1. Pil kartuşunu tamamen deşarj olmadan önce şarj edin. Düşük şarj uyarısını gördüğünüzde her zaman aletin çalışmasını durdurun ve pil kartuşunu şarj edin.
2. Tamamen şarj edilmiş bir pil kartuşunu asla tekrar şarj etmeyin. Aşırı şarj pil ömrünü kısaltır.
3. Pil kartuşunu 10 °C - 40 °C (50 °F - 104 °F) arasındaki oda sıcaklığında şarj edin. Sıcak bir pil kartuşunu şarj etmeden önce soğumaya bırakın.
4. Pil kartuşunu kullanılmıyorken kartuşu, cihazdan veya şarj cihazından çıkarın.
5. Pil kartuşunu uzun süre kullanılmıyacaksanız (altı aydan fazla) şarj edin.

İŞLEYİŞLE İLGİLİ AÇIKLAMA

⚠ DİKKAT: Aletin çalışmasını ayarlamadan ya da kontrol etmeden önce daima aletin kapalı olduğundan ve pil kartuşunun çıkarıldığından emin olun.

Pil kartuşunun çıkarılması veya takılması (Fig. 1)

⚠ DİKKAT: Pil kartuşunu çıkarmadan önce her zaman aleti kapatın.

⚠ DİKKAT: Pil kartuşunu çıkarırken ya da takarken alet ve pil kartuşu sıkıca tutulmalıdır. Aleti ve pil kartuşunu sıkı tutmamak elinizden kaymasına, buna bağlı olarak da aletin ve pil kartuşunun zarar görmesine ve kişisel yaralanmalara neden olabilir.

Pil kartuşunu çıkarmak için kartuşun önündeki düğmeye kaydırırken kartuşu cihazdan kaydırarak çekin. Pil kartuşunu takmak için pil kartuşundaki dili yuvadaki olukla hizalayın ve yerine kaydırın. Küçük bir tık sesiyle tamamen yerine oturup kilitleninceye kadar yerleştirin. Şekilde görüldüğü gibi kırmızı göstergelyi görüyorsanız, tamamen kilitlenmemiş demektir.

⚠ DİKKAT: Pil kartuşunu daima kırmızı gösterge görülemeyecek şekilde tamamen yerine takın. Aksi takdirde, yanlışlıkla aletten düşebilir ve sizin veya etrafınızdaki birinin yaralanmasına neden olabilir.

⚠ DİKKAT: Pil kartuşunu zorlayarak takmayın. Kartuşu kolayca kaymıyorsa doğru yerleştirilmemiş demektir.

Kalan pil kapasitesinin gösterilmesi (Fig. 2)

Kalan pil kapasitesini göstermek için pil kartuşu üzerindeki kontrol tuşuna basın. Gösterge lambaları birkaç saniye boyunca yanacaktır.

Gösterge lambaları			Kalan kapasite
İşıklı	Kapalı	Yanıp sönmüyor	
■	□	▣	
■ ■ ■ ■			75 % to 100 %
■ ■ ■ □			50 % to 75 %
■ ■ □ □			25 % to 50 %
■ □ □ □			0 % to 25 %
▣ □ □ □			Pili şarj edin.
■ ■ □ □	↑ ↓		Pil arızalanmış olabilir.
□ □ ■ ■			

NOT: Kullanım koşulları ve ortam sıcaklığına bağlı olarak gösterge gerçek kapasiteden çok az farklı olabilir.

NOT: İlk (en sol) gösterge lambası, pil koruma sistemi çalışırken yanıp sönecektir.

Işıkların yakılması (Fig. 3)

⚠ DİKKAT: Işığa ya da ışığın kaynağına doğrudan bakmayın.

Işığı yakmak için güç düğmesine basın. Işığı kapatmak için yeniden güç düğmesine basın.

NOT: Cihaz son ayarlanan moda açılır.

Mod seçimi

Ayarlar arasında geçiş yapmak için **MODE** düğmesine basın ve **nokta**, **taşkın** ve **nokta + taşkın** arasında geçiş yapın.

Çarpışma önleme ışıklarının açılması (Fig. 4)

Cihaz **stroboskop** moduna dönene kadar **MODE** düğmesine basın. **Stroboskop** modunu kapatmak için **MODE** düğmesine basın.

Cihaz / pil koruma sistemi

Cihaz uzun servis ömrü için çıkış gücünü otomatik kesen bir koruma sistemiyle donatılmıştır.

Aşırı deşarj koruması (Fig. 5)

Pil kapasitesi düştüğünde, bir LED hariç LED ışıkları söner. Yaklaşık beş ila on dakika sonra sistem otomatik olarak enerjiji kesecektir.

Diğer nedenlere karşı koruma

Koruma sistemi, cihaza zarar verebilecek diğer sebepler için de tasarlanmıştır ve cihazın otomatik olarak durmasını sağlar. Cihaz çalışırken geçici olarak durdurulduğunda veya durduğunda nedenleri ortadan kaldırmak için aşağıdaki tüm adımları uygulayın.

1. Cihazı kapatın ve ardından yeniden başlatmak için yeniden açın.
2. Pil(ler)i şarj edin veya şarj edilmiş pil(ler)le değiştirin.
3. Cihazı ve pil(ler)i soğumaya bırakın.
Koruma sistemini geri getirdikten sonra herhangi bir gelişme bulunamazsa, yerel Makita Servis Merkezinizle iletişime geçin.

Baş açısı (Fig. 6)

⚠ DİKKAT: Baş açısını değiştirme sırasında parmaklarınızı aletin başı ile gövdesi arasında sıkıştırmamaya dikkat edin.

Baş açısı 4 şekilde ayarlanabilir.

Kanca (Fig. 7)

⚠ DİKKAT: Kancayı kaldırma sırasında parmaklarınızı aletin kancası ile gövdesi arasında sıkıştırmamaya dikkat edin.

Omuz Askısı (Fig. 8)

Omuz askıları her iki ucundan klipslerle kurulabilir.

⚠ DİKKAT: Halkayı cihazı asmaktan başka bir amaç için kullanmayın. Aksi takdirde kişisel yaralanma meydana gelebilir.

BAKIM

⚠ DİKKAT: İnceleme ya da bakım yapmadan önce aletin kapalı ve pil kartuşunun çıkarıldığından emin olun.

BİLGİ: Asla benzin, tiner, alkol veya benzeri madde kullanmayın. Renk verme, deformasyon veya çatlaklar meydana gelebilir.

Ürünün GÜVENLİK ve GÜVENİLİRLİĞİNİ korumak için onarım ve bakımlar her zaman Makita yedek parçaları kullanılarak Makita Yetkili ya da Fabrika Servis Merkezleri tarafından yapılmalıdır.

OPSİYONEL AKSESUARLAR

⚠ DİKKAT: Bu aksesuarlar ya da ek parçalar kılavuzda belirtilen Makita aleti ile kullanım içindir. Diğer aksesuarlar veya ataşmanların kullanımı kişisel yaralanma riski oluşturabilir. Aksesuar veya ataşmanı sadece belirtilen amaçla kullanın.

Bu aksesuarlarla ilgili daha fazla bilgi için yardıma ihtiyacınız olursa yerel Makita Servis Merkezimize danışın.

- Makita orijinal pil ve şarj cihazı.

NOT: Listede bulunan öğelerin bazıları alet paketine standart aksesuar olarak dahil edilebilir. Ülkeden ülkeye değişebilir.

SVENSKA (Originalinstruktioner)

Förklaring till översiktsbild

- | | | | |
|----------------------------------|-------------------------|----------------------|------------|
| 1. Batterikassett | 5. Kontrollknapp | 9. Rampljus + | 13. Klämma |
| 2. Röd indikator | 6. Strömbrytare | Strålkastarljus läge | |
| 3. Frigöringsspärr för batteriet | 7. Lägesknapp | 10. Rampljus läge | |
| 4. Indikatorlampor | 8. Strålkastarljus läge | 11. Krok | |
| | | 12. Axelband | |

SPECIFIKATIONER

Modell	ML007G
LED	Rampljus: 1 stk. /Strålkastarljus: 16 stk. (Blixtljus: 17 stk.)
Mått (L × B × H)	323 mm × 120 mm × 118 mm
Märkspänning	DC 36 V - 40 V max
Nettovikt (utan batterikassett och axelband)	0,95 kg

- På grund av vårt pågående program för forskning och utveckling kan dessa specifikationer komma att ändras utan föregående varning.
- Specifikationerna kan variera från land till land.
- Måtten är med BL4025 och med sitt huvudet vänt framåt.

Tillämplig batterikassett och laddare

Batterikassett	BL4020 / BL4025 / BL4040 / BL4050F / BL4080F
Laddare	DC40RA / DC40RB / DC40RC

- Vissa av batterikassetterna ovan kanske inte finns tillgängliga, beroende på din region.

⚠ VARNING: Använd bara batterikassetter och laddare som anges ovan. Användning av andra batterikassetter och laddare kan orsaka skador och/eller brand.

Drifttid

Batterikassett	Drifttid (ungefärlig)			
	Rampljus	Strålkastarljus	Rampljus + Strålkastarljus	Strob
BL4020	5,0 timmar	5,0 timmar	3,5 timmar	5,0 timmar
BL4025	6,5 timmar	6,5 timmar	4,5 timmar	6,5 timmar
BL4040	10 timmar	10 timmar	7,5 timmar	10 timmar
BL4050F	13 timmar	13 timmar	9,5 timmar	13 timmar
BL4080F	22 timmar	22 timmar	16 timmar	22 timmar

- Drifttiderna i tabellen ovan är en grov riktlinje. De kan skilja sig från faktiska driftstider.
- Drifttider kan variera beroende på batterityp, laddningsstatus och användningsvillkor.
- Batterikassetten kan skilja sig från land till land.

Symboler

Följande visar de symboler som används för utrustningen. Säkerställa att du förstår deras mening innan användning.



- Läs instruktionsboken



- Enbart avsedd för inomhusbruk



- Endast för EU-länder

På grund av närvaron av farliga komponenter i utrustningen kan avfall som är elektriskt och elektronisk utrustning, samt ackumulatörer och batterier ha en negativ inverkan på miljön och människors hälsa. Undvik att kasta elektriska och elektroniska apparater eller batterier tillsammans med hushållsavfall!

I enlighet med de europeiska direktiven om avfall som är elektriskt och elektronisk utrustning, samt ackumulatörer, batterier, avfall som är ackumulatörer, batterier och deras genomförande i enlighet med nationella lagar, måste elektrisk utrustning, batterier och ackumulatörer förvaras separat och levereras till en separat uppsamlingsplats för kommunalt avfall, som fungerar enligt bestämmelserna om miljöskydd. Detta indikeras av symbolen för den överkorsade papperskorgen som är placerad på utrustningen.



- Optisk strålning (UV och IR).
Minimera exponering av ögon eller hud.



- Stirra inte på lampan när den är i drift.



- Använd lämplig avskärmning eller ögonskydd.



- Var särskilt uppmärksam på!

SÄKERHETSVARNINGAR

VIKTIGA SÄKERHETSINSTRUKTIONER

⚠ VARNING: När du använder ett elektriskt verktyg ska grundläggande försiktighetsåtgärder alltid följas för att minska risken för brand, elchock och personskada inklusive följande:

LÄS ALLA INSTRUKTIONER.

1. Se inte in i ljuset eller utsätt inte ögonen för ljuset på annat sätt. Ögonen kan skadas.
2. Lampan får inte övertäckas. Eldfara.
3. Apparaten är inte vattentät. Använd inte på fuktiga eller våta platser. Utsätt inte enheten för regn eller snö. Tvätta den aldrig med vatten.
4. Rör inte vid apparatens insida med pincett, metallverktyg etc.
5. När enheten inte används ska den alltid stängas av och batterikassetten ska tas ut ur enheten.
6. Utsätt inte enheten för stötar genom att släppa den eller slå på den, etc.
7. Säkerhetsinformation för bärbara armaturer med batterier.
 - Avfallshantering av batterier bör överensstämma med lokala bestämmelser som reglerar bortskaffande av farliga material.
 - Bränn inte batteriet.
8. Ytterligare information för armaturer.
 - Ljuskällan för denna armatur är ej utbyttbar; när ljuskällan når sitt liv ska hela armaturen bytas ut.
9. Användning och skötsel av batteriverktyg.
 - VARNING: Läs alla varningar och alla säkerhetsanvisningar. Underlåtenhet att efterleva varningarna och anvisningarna kan leda till elstöt, brand och/eller svåra personsador.
 - Undvik oavsiktlig start. Säkerställ att strömbrytaren är i av-läge innan enheten ansluts till en batterienhet, plockas upp eller bärs. Att bära apparaten med fingret på strömbrytaren eller att koppla in elverktyg med strömbrytaren på ökar risken för olyckor.
 - Koppla ur batteripaketet från apparaten innan du gör några justeringar, byter tillbehör eller förvarar apparaten. Sådana säkerhetsåtgärder minskar risken för att apparaten startas av misstag.
 - Ladda endast apparaten med en laddare som specificerats av tillverkaren. En laddare som är lämplig för en typ av batteripaket kan utgöra en brandrisk när den används med ett annat batteripaket.
 - Använd endast apparater med speciellt avsedda batteripaket. Att använda andra batteripaket ökar risken för skada eller brand.
 - När batterienheten inte används ska den hållas borta från andra metallföremål som gem, mynt, nycklar, spikar, skruvar eller andra små metallföremål som kan skapa kontakt mellan terminalerna. En kortslutning av batteriterminalerna kan orsaka brännskador eller brand.

- Vid missbruk av apparaten kan vätska spruta ur från batteriet, undvik kontakt. Om kontakt oavsiktligt uppstår, spola med vatten. Om vätskan kommer i kontakt med ögonen bör dessutom läkarhjälp sökas. Vätska som sprutar ur batteriet kan orsaka irritation eller brännskador.
- Om ett batteripaket eller en apparat är skadad eller modifierad ska de inte användas. Skadade eller modifierade batterier kan bete sig oförutsägbart, vilket kan leda till brand, explosion eller risk för skada.
- Utsätt inte ett batteripaket eller apparat för eld eller alltför höga temperaturer. Exponering för eld eller temperaturer över 130 °C (265 °F) kan orsaka explosion.
- Följ alla laddningsinstruktioner och ladda inte batteripaketet eller apparaten utanför det temperaturintervall som specificerats i instruktionerna. Batterier kan skadas och risken för brand öka om laddningen sker på ett otillbörligt sätt eller vid temperaturer utanför det specificerade intervallet.
- Se till att apparaten servas av en behörig reparatör som endast använder identiska reservdelar. Detta säkerställer att produkten förblir säker.
- Försök inte modifiera eller reparera apparaten eller batterienheten på annat sätt än vad som anges i instruktionerna.

Viktiga säkerhetsföreskrifter för batterikassetten

- Läs alla instruktioner och varningsmarkeringar för (1) batteriladdare, (2) batteri och (3) produkten som använder batteriet innan batterikassetten används.
- Ta inte isär och manipulera inte batteriet. Det kan leda till brand, överhettning eller explosion.
- Stoppa genast driften om drifttiden förkortats märkbart. Det kan resultera i en risk för överhettning, möjliga brännskador och till och med en explosion.
- Om elektrolyten får kontakt med ögonen ska de sköljas med rent vatten och läkarhjälp sökas omedelbart. Du kan förlora synen.
- Kortslut inte batterikassetten.
- (1) Rör ej vid terminalerna med elektriskt ledande material.
- (2) Undvik att lagra batterikassetten i en behållare med andra metallföremål som spikar, mynt etc.
- (3) Utsätt inte batterikassetten för vatten eller regn. En kortslutning av batteriet kan orsaka ett stort strömflöde, överhettning, möjliga brännskador och till och med motorstopp.
- Förvara och använd inte verktyget och batteripatronen på platser där temperaturen kan nå eller överstiga 50 °C (122 °F).
- Bränn inte upp batterikassetten, även om den är allvarligt skadad eller helt utsliten. Batterikassetten kan explodera i en brand.
- Spika, klipp, krossa, släng och släpp inte batteripatronen eller slå med ett hårt föremål på batteripatronen. Det kan leda till brand, överhettning eller explosion.
- Använd inte ett skadat batteri.

- Litiumjonbatterierna i kassetten omfattas av lagstiftningen om farligt gods. För kommersiella transporter, till exempel av tredjeparter och speditörer, måste de särskilda kraven på förpackning och märkning följas. En expert på farliga ämnen måste konsulteras vid förberedelse av artikeln som fraktas. Se även mer detaljerade nationella bestämmelser. Tejpa eller dölj öppna kontaktpunkter och packa batteriet på ett sådant sätt att det inte kan röra sig i förpackningen.
- Ta bort batterikassetten från apparaten och kassera den på en trygg plats när du kasserar batterikassetten. Följ lokala föreskrifter angående bortskaftande av batterier.
- Använd endast batterierna med de produkter som specificerats av Makita. Att installera batterierna i produkter som inte uppfyller kraven kan resultera i en brand, överhettning, explosion eller läckande elektrolyter.
- Om verktyget inte används under en lång period måste batteriet tas ur verktyget.
- Under och efter användning kan batterikassetten ta upp värme som kan orsaka brännskador eller förbränning vid låg temperatur. Var uppmärksam på hanteringen av heta batterikassetter.
- Rör inte vid verktygets pol direkt efter användning eftersom den kan bli tillräckligt varm för att orsaka brännskador.
- Låt inte spån, damm eller jord fastna i batteripaketets poler, hål och spår. Det kan leda till dåliga prestanda eller till att verktyget eller batterikassetten förstörs.
- Om inte verktyget fungerar nära högspänningsledning, använd inte batterikassetten i närheten av högspänningsledning. Det kan leda till funktionsfel eller till att verktyget eller batterikassetten förstörs.
- Håll batteriet borta från barn.

SPARA DESSA ANVISNINGAR.

⚠ VARNING: Använd endast äkta Makita-batterier. Användning av oäkta Makita-batterier eller batterier som har ändrats kan leda till att batteriet spricker och orsakar personskador och skador. Det upphäver också Makitas garanti för Makita-verktyget och -laddaren.

Tips för att bibehålla maximal livslängd på batteriet

1. Ladda batterikassetten innan den är fullständig urladdad. Stäng alltid av verktyget och ladda batterikassetten när du märker att verktyget har lägre effekt.
2. Ladda aldrig en fulladdad batterikasset. Överladdning förkortar batteriets livslängd.
3. Ladda batterikassetten vid en rumstemperatur på 10 °C – 40 °C (50 °F – 104 °F). Låt en upphettad batterikasset svalna innan den laddas.
4. När du inte använder batterikassetten, ta bort den från apparaten eller laddaren.
5. Ladda batterikassetten om du inte använder den under en längre period (mer än sex månader).

FUNKTIONSBESKRIVNING

⚠ VARNING: Se alltid till att verktyget är avstängt och att batterikassetten har tagits ut innan justering eller kontroll av verktygets funktion.

Installation och borttagning av batterikassett (Fig. 1)

⚠ VARNING: Stäng alltid av verktyget innan du tar bort batterikassetten.

⚠ VARNING: Håll i verktyget och batterikassetten med ett fast grepp när du installerar eller tar bort batterikassetten. Om du inte håller i verktyget och batterikassetten med ett fast grepp kan de glida ur händerna och leda till skador på verktyget och batterikassetten samt personskador.

För att ta bort batterikassetten skjuts den från verktyget samtidigt som knappen på kassetten framsida skjuts. Installera batterikassetten genom att rikta in fliken på batterikassetten med spåret i höljet och skjuta in den på plats. Skjut in den till den låses fast med ett litet klick. Om den röda indikatorn som visas på figuren är synlig betyder det att den är inte helt låst.

⚠ VARNING: Installera alltid batterikassetten fullständigt tills den röda indikatorn inte längre syns. Den kan annars oavsiktligt falla ur verktyget och skada dig eller någon i din närhet.

⚠ VARNING: Installera inte batterikassetten med våld. Om kassetten inte glider in lätt, sätts den inte in korrekt.

Indikerar återstående batterikapacitet (Fig. 2)

Tryck på kontrollknappen på batterikassetten för att visa återstående batterikapacitet. Indikatorlamporna lyser ett par sekunder.

Indikatorlampor			Återstående kapacitet
Påslagen	Av	Blinkande	
■	□	◻	75 % till 100 %
■ ■ ■ ■	□	□	50 % till 75 %
■ ■ □ □	□	□	25 % till 50 %
■ □ □ □	□	□	0 % till 25 %
◻ □ □ □	□	□	Ladda batteriet.
■ ■ □ □ □ □ ■ ■	□ □ ↑ ↓	□ □	Batteriet kan ha tekniska problem.

OBS: Indikationen kan variera något från den reella kapaciteten beroende på användarvillkoren och den omgivande miljöns temperatur.

OBS: Den första (längst till vänster) indikatorlampan kommer att blinka när batterisäkerhetssystemet fungerar.

Tända ljuset (Fig. 3)

⚠ VARNING: Se inte in i ljuset eller direkt in i ljuskällan.

Tryck på strömbrytaren för att tända ljuset. Tryck på strömbrytaren igen för att släcka ljuset.

OBS: Verktyget slås på i samma läge som den senaste inställningen.

Välja läge

När lampan är tänd, tryck på **LÄGE**-knappen för att bläddra igenom inställningarna **rampljus**, **strålkastarljus** och **rampljus +strålkastarljus**.

Sätt på strobbelysning (Fig. 4)

Tryck och håll in **LÄGE**-knappen tills verktyget byter till **blixtljus**-läge. Tryck på **LÄGE**-knappen för att stänga av **blixtljus**-läget.

Apparate / skyddssystem för batteri

Apparaten är utrustad med ett skyddssystem som automatiskt stänger av uteffekten för lång livslängd.

Skydd mot överladdning (Fig. 5)

När batterikapaciteten blir låg slocknar LED-lamporna förutom en LED. Systemet stänger alltid av strömmen cirka fem till tio minuter senare.

Skydd mot andra orsaker

Skyddssystemet är också utformat för andra orsaker som kan förstöra apparaten och låter apparaten stanna automatiskt. Vidta följande steg för att rensa orsakerna när apparaten har tillfälligt stoppats eller stannat i drift.

1. Stäng av apparaten och slå sedan på den igen för att starta om den.
2. Ladda batteriet / batterierna eller byt ut det / dem mot uppladdade batteriet / batterierna.
3. Låt apparaten och batteriet / batterierna bli nedkylda. Om ingen förbättring kan hittas genom att återställa skyddssystemet, kontakta ditt lokala Makita-servicecenter.

Huvudvinkel (Fig. 6)

⚠ VARNING: När du ändrar huvudvinkeln, var försiktig så att du inte klämmer fingrarna mellan huvudet och verktygsdelen.

Huvudvinkeln kan justeras i 4 steg.

Krok (Fig. 7)

⚠ VARNING: Var försiktig när du lyfter kroken så att du inte klämmer fingrarna mellan kroken och verktygsdelen.

Axelband (Fig. 8)

Axelbandet kan installeras med klämmor i båda ändarna.

⚠ VARNING: Undvik att använda inte ringen och bälthålet för annat ändamål än att hänga upp apparaten. Annars kan personskador inträffa.

UNDERHÅLL

⚠ VARNING: Se alltid till att verktyget är avstängt och att batterikassetten har tagits ut innan inspektion eller underhåll utförs.

OBS: Använd aldrig bensin, lösningsmedel, alkohol eller liknande. Det kan resultera i missfärgning, deformation eller sprickor.

För att upprätthålla produktens SÄKERHET och PÅLITLIGHET bör reparationer, och allt annat underhåll eller justering utföras av auktoriserade Makita-servicecenter eller fabrikksservicecenter, alltid med Makita-reservdelar.

VALFRIA TILLBEHÖR

⚠ VARNING: Dessa tillbehör eller fästen rekommenderas för användning med det Makita-verktyg som specificeras i denna instruktionshandbok. Att använda andra tillbehör eller fästen ökar risken för personskada. Använd endast tillbehör eller fästen för dess angivna syfte.

Om du behöver hjälp med mer information om dessa tillbehör, fråga ditt lokala Makita-servicecenter.

- Makita äkta batteri och laddare.

OBS: Vissa artiklar på listan kan ingå i verktygets förpackning som standardtillbehör. De kan variera från land till land.

NORSK (Originale instruksjoner)

Forklaring på generell visning

- | | | | |
|-----------------------------|----------------------|-------------------------|----------------|
| 1. Batteripakke | 5. Kontrollknapp | 9. Modus for punktlys + | 13. Saspraudņi |
| 2. Rød indikator | 6. Av/på-knapp | flomlys | |
| 3. Utløserknapp for batteri | 7. MODUS-knapp | 10. Modus for punktlys | |
| 4. Indikatorlamper | 8. Modus for flomlys | 11. Krok | |
| | | 12. Skulderremmer | |

SPESIFIKASJONER

Modell	ML007G
LED	Punktlys: 1 gab. / Flomlys: 16 gab. (Strobelys: 17 gab.)
Dimensjoner (L × B × H)	323 mm × 120 mm × 118 mm
Merkespenning	Likestrøm (DC) 36 V - 40 V maks
Nettvekt (uten batteripakke og skulderstropp)	0,95 kg

- Som en følge av videreutviklingsprogrammet for forskning og utvikling, kan spesifikasjonene her endres uten forvarsel.
- Spesifikasjoner kan variere fra land til land.
- Izmēri ir ar BL4025 un ar galvu, kas ir vērsta uz priekšu.

Gjeldende batteripakke og lader

Batteripakke	BL4020 / BL4025 / BL4040 / BL4050F / BL4080F
Lader	DC40RA / DC40RB / DC40RC

- Enkelte batterier listet ovenfor kan være utilgjengelige avhengig av hvilket område du er i.

⚠ ADVARSEL: Bare bruk batteripatroner og ladere i listen ovenfor. Bruk av andre batteripakker og ladere kan føre til personskade og/eller brann.

Driftstid

Batteripakke	Driftstid (omtrentlig)			
	Sted	Flomlys	Punktlys + flomlys	Strobelys
BL4020	5,0 timer	5,0 timer	3,5 timer	5,0 timer
BL4025	6,5 timer	6,5 timer	4,5 timer	6,5 timer
BL4040	10 timer	10 timer	7,5 timer	10 timer
BL4050F	13 timer	13 timer	9,5 timer	13 timer
BL4080F	22 timer	22 timer	16 timer	22 timer

- Driftstidene som er angitt i tabellen ovenfor er ment som en omtrentlig retningslinje. De kan avvike fra de faktiske driftstidene.
- Driftstid kan variere avhengig av batteritype, ladestatus og brukstilstand.
- Batteripakken kan variere fra land til land.

Symboler

Følgende viser symbolene som brukes for utstyret. Forsikre deg om at du forstår deres betydning før bruk.



- Les instruksjonsmanual



- Kun til innendørs bruk



• Bare for EU-land
Dēļ kaifīgu vielu klātbūtnes izstrādājumā, elektrisko un elektronisko izstrādājumu, akumulatoru un bateriju atkritumi var atstāt negatīvu ietekmi uz apkārtni vidi un cilvēku veselību.

Elektriskās un elektroniskās ierīces vai akumulatorus nedrīkst likvidēt kopā ar sadzīves atkritumiem!
Ņemot vērā Eiropas Direktīvu par elektrisko un elektronisko iekārtu atkritumiem, bateriju un akumulatoru atkritumiem un to pielāgošana valsts tiesību aktiem, elektrisko iekārtu, bateriju un akumulatoru atkritumiem jābūt apstrādātiem un pārstrādātiem, ievērojot noteiktās prasības atbilstoši normatīvajiem aktiem par atkritumu apsaimniekošanu un vides aizsardzību. To norāda pārsvītrotas atkritumu konteinaera simbols, kas ir parādīts uz izstrādājuma.



- Optisk stråling (UV og IR).
Minimer eksponering til øyne og hud.



- Ikke stirr på tentlampe.



- Bruk nødvendig vern eller beskyttelse for øynene.



- Vis særlig forsiktighet og oppmerksomhet!

SIKKERHETSADVARSLER

VIKTIGE SIKKERHETSINSTRUKSER

⚠ ADVARSEL: Når du bruker elektriske verktøy, skal grunnleggende sikkerhetstiltak alltid overholdes for å redusere risikoen for brann, elektrisk støt og personskade, inkludert følgende:

LES ALLE INSTRUKSJONER.

1. Ikke se inn i lyset, eller ikke utsett øynene for lyset. Øynene kan ta skade.
2. Ikke dekk til lampen med tøy eller papp osv. Ellers kan det forårsake brann.
3. Apparatet er ikke vannrett. Ikke bruk det i fuktige eller våte omgivelser. Ikke utsett det for regn eller snø. Ikke vask det i vann.
4. Ikke berør innsiden av apparatet med pinsetter, metallverktøy osv.
5. Slå alltid av og fjern batteriet fra apparatet når det ikke er i bruk.
6. Ikke utsett apparatet for støt eller slag ved å miste det i gulvet, osv.
7. Sikkerhetsinformasjon for bærbare lamper med batterier.
 - Avhending av batterier skal gjøres i samsvar med lokale forskrifter for avhending av farlige stoffer.
 - Ikke brenn batteriet.
8. Ytterligere informasjon for lamper.
 - Št gaismekļa gaismas avotu nevar nomainīt; tad, kad gaismas avots ir izdedzis, ir jānomaina visu gaismekli.
9. Bruk og vedlikehold av det batteridrevne verktøyet.
 - **ADVARSEL:** Les alle sikkerhetsadvarsler og instruksjoner. Unnlattelse av å følge advarslene og instruksjonene kan føre til elektrisk støt, brann og/eller alvorlige personskader.
 - Unngå utilsiktet start. Sørg for at bryteren er i avslått posisjon før du kobler til batteripakken, løfter eller bærer apparatet. Å bære apparatet med fingeren på bryteren eller tilføre strøm til apparatet med bryteren på, tilrettelegger for ulykker.
 - Koble batteripakken fra produktet før du utfører noen justeringer, endrer tilbehør eller oppbevarer produktet. Slike forebyggende tiltak reduserer risikoen for at produktet starter utilsiktet.
 - Skal bare lades med en lader som er spesifisert av produsenten. En lader som er egnet for én type batteripakke kan føre til brann hvis den brukes med en annen batteripakke.
 - Bare bruk produktet med egnede batteripakker. Bruk med en annen batteripakke kan føre til fare for personskade eller brann.
 - Når batteripakken ikke er i bruk skal den holdes unna andre metallgjenstander som binderser, mynter, nøkler, spiker, skruer eller andre små metallgjenstander, som kan skape en kobling mellom tilkoplingspunkter. Kortslutning av batteriklemmene kan føre til brannskade eller brann.

- Ved skade kan det lekke væske fra batteriet – unngå kontakt. Skyll med vann ved kontakt. Oppsøk medisinsk hjelp hvis man får væsken i øynene. Væske fra batteriet kan forårsake iritasjon eller brannskader.
- Ikke bruk batteripakke eller produkt som er skadet eller endret. Skadde eller endrede batterier kan oppføre seg uventet, og resultere i brann, eksplosjon eller skape fare for personskade.
- Ikke utsett batteripakken eller produktet for ild eller svært høye temperaturer. Eksponering for brann eller temperaturer over 130 °C (265 °F) kan forårsake eksplosjon.
- Følg ladeinstruksjonene og ikke lad produktet eller batteripakken i et miljø utenfor temperaturområdet som er spesifisert i instruksjonene. Feilaktig lading eller lading under forhold som er utenfor temperaturområdet kan skade batteriet eller øke brannfaren.
- Service utføres av en kvalifisert person som bare bruker originale erstatningsdeler. Dette vil sørge for at produktets sikkerhet opprettholdes.
- Ikke modifierer eller gjør forsøk på reparasjon av apparatet eller batteripakken på annen måte enn indikert i instruksjonene for bruk og vedlikehold.

Viktige sikkerhetsinstruksjoner for batteriet

- Før du bruker batteriet må du lese alle instruksjoner og forsiktighetsmerkinger på (1) batteriladeren, (2) batteriet og (3) produktet som bruker batteriet.
 - Ikke demonter eller foreta endringer på batteripakken. Det kan føre til brann, kraftig varme eller eksplosjon.
 - Hvis driftstiden blir betraktelig kortere, må du stoppe bruken umiddelbart. Det kan føre til risiko for overoppheting, mulige brannskader og eksplosjon.
 - Hvis elektrolytt kommer i øyene, skyll med rent vann og oppsøk medisinsk hjelp. Det kan føre til synstap.
 - Ikke kortslutt batteripakken.
- (1) Ikke rør tilkoplingspunktene med ledende materiale.
 - (2) Unngå å oppbevare batteriet i en beholder med metallgjenstander som spiker, mynter, osv.
 - (3) Ikke utsett batteriet for vann eller regn. Kortslutning av et batteri kan føre til stor strømflyt, overoppheting, brannskader og ødeleggelse.
- Ikke oppbevar eller bruk verktøyet eller batteripakken på steder der temperaturen kan nå eller overskride 50 °C (122 °F).
 - Ikke ødelegg batteriet, selv om det allerede er skadet eller helt utslitt. Batteriet kan eksplodere i en brann.
 - Ikke bank spikre i, klipp, knus, kast, slipp batteripakken eller slå mot en hard gjenstand. Slik oppførsel kan føre til brann, overdreven varme eller eksplosjon.
 - Ikke bruk et skadet batteri.

- De medfølgende litiumionbatteriene er underlagt kravene for farlig gods. For kommersiell transport f.eks. utført av en tredjepart eller spedtører, må spesielle krav for pakking og merking følges. Ved forberedelse før forsendelse, må en ekspert på farlig materiale konsulteres. Vær også oppmerksom på strengere, nasjonale bestemmelser. Teip over eller dekk til åpne kontakter, og pakk batteriet på en slik måte at det ikke kan bevege seg rundt i emballasjen.
- Akkumulatorkasetnes likvidēšanas laikā, noņemiet to no ierīces un likvidējiet to drošā vietā. Følg lokale forskrifter for avhending av batteriet.
- Bare bruk batteriene med produktene som er spesifisert av Makita. Installasjon av batteriene i ikke-kompatible produkter kan føre til brann, høy varme, eksplosjon eller elektrolyttlekkasje.
- Batteriet må fjernes fra apparatet hvis det ikke skal brukes over en lengre periode.
- Batteripakken kan være varm under og etter bruk, noe som kan forårsake forbrenninger eller brannskader ved lave temperaturer. Vær forsiktig ved håndtering av varme batteripakker.
- Ikke berør tilkoblingspunktet på verktøyet umiddelbart etter bruk, da det kan bli varmt nok til å forårsake brannskader.
- Påse at flis, støv eller jord ikke komme inn i tilkoblingspunkt, hull og spor på batteripakken. Dette kan føre til dårlig ytelse eller skade på verktøyet eller batteripakken.
- Batteripakken må kun brukes i nærheten av høyspenningsledninger hvis verktøyet er godkjent for bruk i nærheten av høyspenningsledninger. Dette kan føre til funksjonsfeil eller skade på verktøyet eller batteripakken.
- Hold batteriet unna barn.

OPPBEVAR DISSE INSTRUKSJONENE.

▲ FORSIKTIG: Bruk bare originale Makita-batterier. Bruk av andre batterier enn originale Makita-batterier, eller batterier som er endret, kan føre til at batteriet eksploderer og forårsaker brann, personskader og materielle skader. Det vil også ugyldiggjøre Makitas garanti for verktøy og lader fra Makita.

Tips for å forlenge batteriets levetid

1. Lad batteriet før det lades helt ut. Stopp alltid verktøyet og lad batteriet når du merker forringet styrke.
2. Ikke lad et fulladet batteri. Overlading forkorter batteriets levetid.
3. Bare lad batteriet i romtemperatur på 10 °C–40 °C (50 °F–104 °F). La et varmt batteri kjøle seg ned før du lader det.
4. Når du ikke bruker batteripakken, må du fjerne den fra verktøyet eller laderen.
5. Lad batteriet hvis du ikke bruker det over en lengre periode (mer enn seks måneder).

FUNKSJONELL BESKRIVELSE

⚠ FORSIKTIG: Forsikre deg alltid om at verktøyet er slått av og at batteripakken er fjernet, før du justerer eller kontrollerer funksjoner på verktøyet.

Installere eller fjerne batteripakken (Fig. 1)

⚠ FORSIKTIG: Slå alltid av verktøyet, før du fjerner batteripakken.

⚠ FORSIKTIG: Hold verktøyet og batteripakken godt fast når du installerer eller fjerner batteripakken. Hvis du ikke holder verktøyet og batteripakken godt fast, kan det føre til at de sklir ut av hendene dine, noe som kan føre til skade på verktøyet og batteripakken samt personskade.

For å fjerne batteriet, skyv det fra apparatet mens du skyver knappen foran på boksen. For å installere batteripakken, juster fliken på batteripakken med sporet i huset og skyv den på plass. Sett det helt inn til det låses på plass med et lite klikk. Ja parādās sarkana indikators lampiņa, kā parādīts attēlā, tad tas nav pilnībā aizslēgts.

⚠ FORSIKTIG: Installer batteriet helt til den røde indikatoren ikke lenger er synlig. Hvis ikke, kan den falle ut av verktøyet ved et uhell, noe som kan føre til personskade på deg eller personer i nærheten av deg.

⚠ FORSIKTIG: Ikke installer batteriet med tvang. Hvis boksen ikke sklir lett inn, er den ikke satt inn riktig.

Indikere den gjenværende batterikapasiteten (Fig. 2)

Trykk på kontrollknappen på batteriet for å kontrollere gjenværende batterikapasitet. Indikatorlampene lyser i noen få sekunder.

Indikatorlamper			Gjenværende kapasitet
Tent	Av	Blinker	
■	□	▣	
■	■	■	
■	■	□	
■	□	□	
▣	□	□	
▣	□	□	Lad batteriet.
■	■	□	Batteriet kan ha en feilfunksjon.
□	□	■	

MERK: Avhengig av bruksforhold og omgivelsestemperatur, kan indikatoren avvike noe fra faktisk kapasitet.

MERK: Den første indikatorlampen (ytterst til venstre) blinker når batteriets beskyttelsessystem fungerer.

Slå på lykten (Fig. 3)

⚠ FORSIKTIG: Ikke se direkte i lyset eller lyskilden.

Trykk på AV/PÅ-knappen for å slå på lyset. For å slå av lyset, trykk på AV/PÅ-knapp -knappen igjen.

MERK: Apparatet slås på i samme modus som den siste innstillingen.

Velge modus

Mens lyset er på, trykk på MODUS-knappen for å bla gjennom innstillingene for punktlys, flomlys og punktlys + flomlys.

Slå på strobelys (Fig. 4)

Trykk og hold MODUS-knappen til apparatet veksler til modusen for strobelys. For å slå av strobelyset, trykk på MODUS-knappen igjen.

Maskin- / batteribeskyttelsessystem

Verktøyet er utstyrt med et beskyttelsessystem som automatisk slår av strømmen for å sikre lang brukstid.

Pārsllogošanas aizsardzība (Fig. 5)

Akumulatora zema uzlādes līmeņa gadījumā, LED gaisma izslēgsies, izņemot vienu LED gaismu. Deretter, ca. fem til ti minutter senere, kutter systemet automatisk strømmen.

Aizsardzība pret citiem cēloņiem.

Aizsardzības sistēma ir paredzēta arī citiem cēloņiem, kas varētu bojāt ierīci, kā arī automātiski pārtraukt tās darbu. Ievērojiet sekojošus norādījumus, lai atgrieztu ierīci, ja tās darbība tikusi īslaicīgi apstādināta vai pārtraukta.

1. Lai atsāknētu ierīci, izslēdziet un ieslēdziet to.
2. Uzlādējiet akumulatoru(-us) vai nomainiet to/tos ar pilnībā uzlādētu akumulatoru(-iem).
3. Dodiet ierīcei un akumulatoram(-iem) laiku atdzist. Gadījumā, ja neizdodas uzlabot ierīces stāvokli ar aizsardzības sistēmas atjaunošanu, sazinieties ar vietējo Makita pakalpojumu servisu.

Hodevinkel (Fig. 6)

⚠ FORSIKTIG: Når du endrer vinkelen på hodet, må du passe på så du ikke klemmer fingrene mellom hodet og kapslingen.

Vinkelen på hodet kan justeres i 4 trinn.

Krok (Fig. 7)

⚠ FORSIKTIG: Når du løfter kroken, må du passe på så du ikke klemmer fingrene mellom kroken og kapslingen.

Skulderstropp (Fig. 8)

Skulderstroppen kan festes ved hjelp av klips på begge sidene.

⚠ FORSIKTIG: Gredzenu izmantojiet tikai ierīces piekāršanai un nekādam citam mērķim. Pretējā gadījumā var iegūt traumas.

VEDLIKEHOLD

⚠ FORSIKTIG: Forsikre deg alltid om at verktøyet er slått av og at batteripakken er fjernet, før du inspiserer eller utfører vedlikehold på verktøyet.

MERKNAD: Bruk aldri bensin, tynnere, alkohol eller liknende. Misfarging, deformasjon eller sprekker kan bli resultatet.

For å opprettholde PRODUKTSIKKERHET og PÅLITELIGHET, skal reparasjoner, annet vedlikehold eller andre justeringer utføres av autoriserte Makita-autoriserte fabrikker eller servicesentre, og kun ved bruk av originale reservedeler fra Makita.

TILLEGGSTYR

⚠ FORSIKTIG: Dette tilleggsutstyret eller tilbehøret anbefales for bruk med Makita-verktøyet som er spesifisert i denne bruksanvisningen. Bruk av annet tilbehør kan føre til fare for personskade. Bare bruk tilbehør til tiltenkt formål.

Hvis du ønsker mer informasjon om dette tilbehøret, kan du spørre ditt lokale Makita-servicesenter.

- Ekte Makita-batteri og -lader.

MERK: Noen elementer i denne listen kan være inkludert i verktøypakken som standardutstyr. Dette kan variere fra land til land.

SUOMI (Alkuperäiset ohjeet)

Yleisen näkymän selitys

- | | | | |
|-------------------------|---------------------|-------------------------------------|---------------|
| 1. Akku | 5. Tarkistuspainike | 9. Spotlight-tila + Valonheittotila | 13. Kiinnitin |
| 2. Punainen merkkivalo | 6. Virtapainike | 10. Spotlight-tila | |
| 3. Akun vapautuspainike | 7. TILA-painike | 11. Koukku | |
| 4. Merkkivalot | 8. Valonheittotila | 12. Olkahihna | |

TEKNISET TIEDOT

Malli	ML007G
LED	Spotlight: 1 pala / Valonheitin: 16 palaa (Viikkuva: 17 palaa)
Mitat (P × S × K)	323 mm × 120 mm × 118 mm
Nimellisjännite	DC 36 V – 40 V enint.
Nettopaino (ilman akkua ja olkahihna)	0,95 kg

- Jatkuvan tutkimus- ja kehitysohjelmamme myötä tässä mainitut tekniset tiedot voivat muuttua ilman erillistä ilmoitusta.
- Tekniset tiedot saattavat vaihdella eri maiden välillä.
- Mitat ovat BL4025:n mukaan ja pää on suunnattu eteenpäin.

Laitteeseen soveltuva akku ja laturi

Akku	BL4020 / BL4025 / BL4040 / BL4050F / BL4080F
Laturi	DC40RA / DC40RB / DC40RC

- Jotkin yllä luetelluista akuista eivät välttämättä ole saatavilla asuinalueellasi.

VAROITUS: Käytä vain yllä lueteltuja akkuja ja latureita. Muiden akkujen ja latureiden käyttö saattaa aiheuttaa vammoja ja/tai tulipalon.

Käyttöaika

Akku	Käyttöaika (arvioitu)			
	Spotlight	Valonheitin	Spotlight + Valonheitin	Viikkuva
BL4020	5,0 tuntia	5,0 tuntia	3,5 tuntia	5,0 tuntia
BL4025	6,5 tuntia	6,5 tuntia	4,5 tuntia	6,5 tuntia
BL4040	10 tuntia	10 tuntia	7,5 tuntia	10 tuntia
BL4050F	13 tuntia	13 tuntia	9,5 tuntia	13 tuntia
BL4080F	22 tuntia	22 tuntia	16 tuntia	22 tuntia

- Yllä olevan taulukon käyttöajat ovat viitteellisiä. Todelliset käyttöajat saattavat vaihdella.
- Käyttöajat voivat vaihdella akun tyypin, varauksen ja käyttöolosuhteiden mukaan.
- Akku saattaa vaihdella maakohteisesti.

Symbolit

Laitteen käyttöön liittyvät alla olevat symbolit. Varmista, että ymmärrät symbolien merkitykset ennen laitteen käyttöä.



- Lue käyttöohje



- Vain sisäkäyttöön



- Vain EU-maat

Koska laitteessa on vaarallisia komponentteja, jäte- sähkö- ja elektroniikkalaitteita tai paristoja kotitalousjätteen kanssa! Sähkö- ja elektroniikkalaiteromua sekä akkuja, paristoja, ja höyryakkujen ja paristojen jätettä koskevan Euroopan direktiivin mukaisesti, sekä niiden mukauttaminen kansalliseen lainsäädäntöön, sähkölaitteiden jätteet, paristoja ja höyryakkuja olisi varastoitava erikseen ja lähetettävä erilliseen yhdyskuntajätteen keräyspisteeseen, joka toimii ympäristönsuojelua koskevien säännösten mukaisesti.

Tämä on merkitty laitteelle sijoitetun pyörillä vedetyn roskakorin tunnuksella.

• Optinen säteily (ultravioletti ja infrapuna). Vältä silmien ja ihon altistumista.



- Älä katso suoraan käytössä olevaan valoon.



- Käytä sopivia silmäsuojia.



- Ole erityisen varovainen!



TURVALLISUUSVAROITUKSET

TÄRKEÄT TURVALLISUUSOHJEET

VAROITUS: Kun käytät sähkötyökaluja, noudata aina tavallisia turvallisuusohjeita. Turvallisuusohjeiden noudattaminen vähentää tulipalon, sähköiskun ja henkilövamman riskiä. Esimerkiksi:

LUE KAIKKI OHJEET.

1. Älä katso suoraan valoon. Älä altista silmiä valolle. Valo voi vahingoittaa silmiä.
2. Älä peitä lampua esimerkiksi kankaalla tai pahvilla. Laitteen peittäminen voi aiheuttaa tulipalon.
3. Laite ei ole vedenkestävä. Älä käytä sitä kosteissa tai märissä paikoissa. Älä altista sitä sateelle tai lumelle. Älä pese laitetta vedellä.
4. Älä kosketa laitteen sisäosia pinseteillä tai muilla metallityökaluilla.
5. Kun laitetta ei käytetä, sammuta laite ja poista laitteen akku.
6. Älä altista laitetta iskuille esim. pudottamalla se tai lyömällä sitä.
7. Kannettavia, akuilla varustettuja valaisimia koskevia turvallisuustietoja.
 - Akku on hävitettävä noudattamalla paikallisia vaarallisten materiaalien hävittämistä koskevia säännöksiä.
 - Älä polta akkua.
8. Valaisimia koskevia lisätietoja.
 - Tämän valaisimen valonlähde ei ole vaihdettavissa; kun valonlähde saavuttaa sen käyttöiän loppunsa, koko valaisin on vaihdettava.
9. Akkutyökalun käyttö ja ylläpito.
 - VAROITUS: Lue kaikki turvallisuusvaroitukset ja -ohjeet. Varoitusten ja ohjeiden noudattamatta jättäminen saattaa aiheuttaa sähköiskun, tulipalon ja/ tai vakavan henkilökohtaisen vamman.
 - Estä vahingossa käynnistyminen. Varmista, että kytkin on Off-asennossa ennen kuin liität akun, nostat laitteen tai kannat sitä. Laitteen kantaminen niin, että sormi on kytkimellä, tai virran kytkeminen laitteisiin, joissa kytkin on päällä, voi aiheuttaa onnettomuuksia.
 - Irrota akku laitteesta ennen kuin teet mitään muutoksia, vaihdat apuvälineitä tai varastoit laitteen. Nämä ennakoivat turvallisuustoimenpiteet vähentävät laitteen vahingossa käynnistämisen riskiä.
 - Lataa vain valmistajan määrittelemällä laturilla. Tietynle akulle tarkoitetun laturin käyttö toisenlaisen akun kanssa saattaa aiheuttaa tulipaloriskin.
 - Käytä laitteita vain niille erikseen määriteltyjen akkujen kanssa. Muunlaisten akkujen käyttö saattaa aiheuttaa vamma- tai tulipaloriskin.
 - Kun akku ei ole käytössä, pidä se poissa metalliesineiden, kuten paperiliitinten, kolikoiden, avainten, naulojen, ruuvien tai muiden pienten metalliesineiden, läheltä, jotta ne eivät voi liittää yhtä napaa toiseen. Akun napojen oikosulku saattaa aiheuttaa palovammoja tai tulipalon.

- Väärinkäyttötilanteessa akusta saattaa lentää nestettä. Älä koske tähän nesteeseen. Jos kosket nesteeseen vahingossa, huuhtele altistunut kohta vedellä. Jos nestettä osuu silmiin, hakeudu hoitoon. Akusta lentänyt neste saattaa aiheuttaa ärsytystä tai palovammoja.
- Älä käytä akkua tai laitetta, jos ne ovat vaurioituneet tai jos niitä on muokattu. Vaurioituneet tai muokatut akut saattavat käyttäytyä arvaamattomalla tavalla, mikä voi johtaa tulipalo-, räjähdys- tai vammojen vaaraan.
- Älä altista akkua tai laitetta tullelle tai äärimmäisille lämpötiloille. Altistuminen tullelle tai yli 130 °C:n (265 °F:n) lämpötiloille voi aiheuttaa räjähdysriskin.
- Noudata kaikkia latausohjeita äläkä lataa akkua tai laitetta ohjeissa määritetyn lämpötila-alueen ulkopuolella. Virheellinen lataaminen tai lataaminen määritetyn alueen ulkopuolisissa lämpötiloissa voi vaurioittaa akkua ja lisätä tulipaloriskiä.
- Huollata laitteesi asiantuntevalla korjaajalla, joka käyttää vain identtisiä varaosia. Näin varmistetaan, että laitteen turvallisuus pysyy vastaavalla tasolla.
- Älä muokkaa tai yritä korjata laitetta tai akkua muilla tavoilla kuin käyttö- ja huolto-ohjeissa kuvatuilla tavoilla.

Tärkeitä akkua koskevia turvallisuusohjeita

- Ennen kuin käytät akkua, lue kaikki (1) akkulaturin, (2) akun ja (3) akkua käyttävän laitteen ohjeet ja varoitusmerkinnät.
- Älä pura tai peukaloi akkua. Muutoin seurauksena voi olla tulipalo, ylikuumeneminen tai räjähdys.
- Jos käyttöaika lyhenee merkittävästi, lopeta käyttö välittömästi. Se saattaa aiheuttaa ylikuumenemisen, mahdollisten palovammojen ja jopa räjähdysriskin.
- Jos elektrolyyttiä päätyy silmiin, huuhtele silmät puhtaalla vedellä ja hakeudu välittömästi ensiapuun. Se saattaa aiheuttaa näönmenetyksen.
- Älä aiheuta akussa oikosulkua.
- (1) Älä koske terminaleihin minkäänlaisella johtavalla materiaalilla.
- (2) Vältä akun säilyttämistä muiden metalliesineiden, kuten naulojen, kolikoiden jne. kanssa.
- (3) Älä altista akkua sateelle tai vedelle. Akun oikosulku voi aiheuttaa suuren virtapiikin, ylikuumenemista, mahdollisia palovammoja ja jopa akun hajoamisen.
- Älä säilytä tai käytä laitetta ja akkua tiloissa, joissa lämpötilat saattavat olla 50 °C (122 °F) tai sitä korkeampia.
- Älä hävitä akkua polttamalla, vaikka se olisi pahasti vaurioitunut tai täysin kulunut. Akku saattaa räjähtää, jos se altistuu tullelle.
- Älä naulaa, leikkaa, murskaa, heitä tai pudota akkua äläkä lyö akkua kovalla esineellä. Kyseisestä toiminnasta voi olla seurauksena tulipalo, ylikuumeneminen tai räjähdys.
- Älä käytä vaurioitunutta akkua.

- Laitteen sisältämät litiumioniakut ovat vaarallisten aineiden sääntelyn alaisia tuotteita. Kaupallisissa toimituksissa, eli esimerkiksi kolmansien osapuolten tai edelleenlähetystoimijoiden, tapauksessa on otettava huomioon erityiset pakkaus- ja merkintävaatimukset. Kun tuotetta valmistellaan toimitusta varten, aiheesta on keskusteltava vaarallisten aineiden asiantuntijan kanssa. Ota myös huomioon mahdolliset tarkemmat kansalliset säädökset. Teippaa tai peitä aivoimet kosketuspisteet ja pakkaa akku niin, ettei se voi liikkua pakkauksessa.
- Kun akkupatruuna hävitetään, ota se pois laitteesta ja hävitä se turvalliselle paikalle. Noudata paikallisia akkujen hävittämiseen liittyviä säädöksiä.
- Käytä akkua vain seuraavan tahon määrittämien tuotteiden kanssa: Makita. Akkujen asentaminen muihin kuin hyväksytyihin tuotteisiin saattaa aiheuttaa tulipalon, ylikuumenemista, räjähdysriskin tai elektrolyyttivuodon.
- Jos laitetta ei käytetä pitkään aikaan, akku on poistettava.
- Akku voi kuumetua käytön aikana ja sen jälkeen, mikä voi aiheuttaa palovammoja tai matalan lämpötilan palovammoja. Kiinnitä huomiota kuumien akkujen käsitteelyyn.
- Älä kosketa akun liittimiä heti käytön jälkeen, sillä ne saattavat olla riittävän kuumia aiheuttamaan palovammoja.
- Älä anna murusten, pölyn tai lian tarttua akun liittimiin, reikiin tai uriin. Muutoin seurauksena voi olla laitteen tai akun huono suorituskyky tai rikkoutuminen.
- Jos laite tulee käyttöä suurjännitelinjoihin lähellä, älä käytä akkua suurjännitelinjoihin lähellä. Muutoin seurauksena voi olla laitteen tai akun toimintahäiriö tai rikkoutuminen.
- Pidä akku poissa lasten ulottuvilta.

SÄILYTYÄ NÄMÄ OHJEET.

⚠ HUOMIO: Käytä vain aitoja Makita-akkuja. Muiden kuin aitojen Makita-akkujen tai muokattujen akkujen käyttö saattaa aiheuttaa akun hajoamisen, mikä voi aiheuttaa tulipaloja, henkilövammoja ja vaurioita. Se myös mitätöi Makita-laitteen ja sen laturin Makita-takuun.

Akun mahdollisimman pitkän eliniän ylläpitäminen

1. Lataa akku ennen kuin se on täysin tyhjä. Lopeta laitteen käyttö ja lataa akku, jos huomaat, että laitteen virta heikkenee.
2. Älä koskaan lataa täysin ladattua akkua uudelleen. Akun yliilataaminen lyhentää sen käyttöikää.
3. Lataa akku huoneenlämmössä: 10–40 °C (50–104 °F). Anna kuumen akku jäähtyä ennen kuin lataat sen.
4. Kun et käytä akkua, poista se laitteesta tai laturista.
5. Lataa akku, jos et käytä sitä pitkään aikaan (yli kuuteen kuukauteen).

TOIMINNAN KUVAUS

⚠ HUOMIO: Varmista aina, että laite on sammutettu, irrotettu verkkovirrasta ja akku on poistettu ennen kuin teet muutoksia tai tarkistat laitteen toiminnan.

Akun asentaminen tai poistaminen (Fig. 1)

⚠ HUOMIO: Sammuta laite aina ennen akun poistamista.

⚠ HUOMIO: Pidä vakaasti kiinni laitteesta ja akusta, kun asennat tai poistat akkua. Jos laitteesta ja akusta ei pidetä kiinni riittävän hyvin, ne saattavat irrota otteesta, mikä saattaa aiheuttaa laitteen ja akun vaurioita sekä henkilövahinkoja.

Voit poistaa akun liu'uttamalla sen pois laitteesta samalla, kun liu'utat akun etuosassa olevaa painiketta. Kun haluat asentaa akun, varmista, että akun kieli osuu kotelon uraan, ja liu'uta akku paikalleen. Paina akkua paikalleen, kunnes se lukittuu paikalleen pienen naksahduksen myötä. Jos näet punaisen ilmaisimen, kuten kuvassa näkyy, se ei ole täysin lukittu.

⚠ HUOMIO: Asenna akku aina kunnolla niin, ettei punaista merkkiä enää näy. Muussa tapauksessa se saattaa pudota laitteesta ja aiheuttaa vammoja joko sinulle tai ympärilläsi oleville ihmisille.

⚠ HUOMIO: Älä yritä asentaa akkua liiallista voimaa käyttäen. Jos akku ei liu'u sisään helposti, se on virheellisessä asennossa.

Jäljellä olevan akun varauksen osoittaminen (Fig. 2)

Paina akun tarkistuspainiketta nähdäksesi jäljellä oleva akun varaus. Merkkivalot syttyvät muutaman sekunnin ajaksi.

Merkkivalot			Jäljellä oleva varaus
Valaistu	Ei pala	Viilkuva	
■	□	▧	
■ ■ ■ ■			75 % - 100 %
■ ■ ■ □			50–75 %
■ ■ □ □			25–50 %
■ □ □ □			0–25 %
▧ □ □ □			Lataa akku.
■ ■ □ □			Akussa on mahdollisesti toimintahäiriö.
□ □ ■ ■			

HUOMAUTUS: Käyttöolosuhteista ja ympäristön lämpötilasta riippuen merkkivalojen osoittama varaus saattaa poiketa jossakin määrin todellisesta varauksesta.

HUOMAUTUS: Ensimmäinen (äärimmäisenä vasemmalla oleva) merkkivalo vilkkuu, kun akun suojausjärjestelmä toimii.

Valon syyttäminen (Fig. 3)

⚠ HUOMIO: Älä katso suoraan valoon tai valonlähteeseen.

Sytytä valo painamalla virtapainiketta. Sammuta valo painamalla virtapainiketta uudestaan.

HUOMAUTUS: Laite käynnistyy siinä tilassa, johon se on viimeksi asetettu.

Tilan valinta

Kun valo on päällä, paina **TILA**-painiketta vaihdellaksesi asetusten **spotlight**, **valonheitin** ja **spotlight + valonheitin** välillä.

Vilkkuvan tilan eli välähdystilan käynnistäminen (Fig. 4)

Paina ja pidä **TILA**-painiketta painettuna, kunnes **vilkkuva** tila aktivoituu. **Vilkkuvan** tilan voi kytkeä pois painamalla **TILA**-painiketta.

Laite / akun suojausjärjestelmä

Laite on suojausjärjestelmä, joka sammuttaa virran automaattisesti. Tämä pidentää laitteen käyttöikää.

Ylipäästösuojus (Fig. 5)

Kun pariston kapasiteetti heikkenee, LED-valot sammuvat, paitsi yksi LED-valo. Noin 5–10 minuuttia myöhemmin järjestelmä sammuu automaattisesti.

Suojat muita syitä vastaan

Suojausjärjestelmä on myös suunniteltu muille syille, jotka voivat vahingoittaa laitetta ja antaa laitteen pysähtyä automaattisesti. Sen on toteutettava kaikki seuraavat toimenpiteet selvittääkseen syyt, kun laite on pysäytetty väliaikaisesti tai keskeytetty toiminnassa.

1. Sammuta laite ja käynnistä se sitten uudelleenkäynnistääksesi.
2. Lataa akku (akut) tai korvaa se/ne ladatulla akulla (akkuilla).
3. Annetaan laitteen ja akku(akujen) jäähtyä. Jos turvajärjestelmän restauroiminen ei paranna tilannetta, ota yhteyttä paikalliseen Makitan palvelukeskukseen.

Pääkulma (Fig. 6)

⚠ HUOMIO: Kun vaihdat pääkulmaa, varo, etteivät sormesi jää puristuksiin laitteen pään ja vartalon väliin.

Pääkulmaa voi säätää 4 vaiheessa.

Koukku (Fig. 7)

⚠ HUOMIO: Kun nostat koukkuja, varo, etteivät sormesi jää puristuksiin laitteen koukun ja vartalon väliin.

Olkahihna (Fig. 8)

Olkahihnan voi asentaa klipseillä kummassakin päässä.

⚠ HUOMIO: Älä käytä rengasta muuhun tarkoitukseen kuin laitteen hirttämiseen. Muuten voi esiintyä henkilövahinkoja.

HUOLTO

⚠ HUOMIO: Varmista aina, että laite on sammutettu ja akku on poistettu ennen kuin tarkastat laitteen tai huollat sitä.

HUOMAA: Älä koskaan käytä bensiniä, ohentimia, alkoholia tai muita vastaavia aineita. Ne saattavat aiheuttaa värivirheitä, muodon muuttumista tai halkeamia.

Tuotteen TURVALLISUUDEN ja LUOTETTAVUUDEN säilyttämiseksi korjaukset ja muut huollot tai säädöt on suoritettava Makitan valtuuttamien henkilöiden tai tehdaspalvelukeskusten toimesta ja vain Makitan varaosia käyttäen.

VALINNAISET LISÄVARUSTEET

⚠ HUOMIO: Näitä lisävarusteita tai lisäosia suositellaan käytettäväksi tässä ohjeessa määritetyn Makita-laitteesi kanssa. Muiden lisävarusteiden tai lisäosien käyttö saattaa aiheuttaa henkilövammariskin. Käytä lisävarusteita tai lisäosia vain niiden suunniteltuihin tarkoituksiin.

Jos tarvitset apua tai lisätietoja näistä lisävarusteista, ota yhteyttä paikalliseen Makitan palvelukeskukseesi.

- Aito Makita-akku ja -laturi.

HUOMAUTUS: Jotkin luettelon kohteet saattavat sisältyä laitteen pakkaukseen oletusvarusteina. Ne saattavat vaihdella maakohtaisesti.

LATVIEŠU (Oriģinālās instrukcijas)

Vispārīgā skata skaidrojums

- | | | | |
|----------------------------------|---------------------|------------------------|------------|
| 1. Akumulatora kasetne | 5. Pārbaudes poga | 9. Spot + flood režīms | 13. Klipas |
| 2. Sarkans indikators | 6. Ieslēgšanas poga | 10. Spot režīms | |
| 3. Akumulatora atbrīvošanas poga | 7. MODE poga | 11. Āķis | |
| 4. Indikatorlampiņas | 8. Flood režīms | 12. Plecu sikсна | |

SPECIFIKĀCIJAS

Modelis	ML007G
Gaismas diode	Spot: 1 vnt. / Flood: 16 vnt. (Strobe: 17 vnt.)
Izmēri (G × Pl. × A)	323 mm × 120 mm × 118 mm
Nominālais spriegums	Līdzstrāva, maks. 36 V – 40 V
Tīrsvars (bez akumulatora kasetnes un plecu sikсна)	0,95 kg

- Tā kā mēs nepārtraukti turpinām izpēti un izstrādi programmu, šeit sniegtās specifikācijas var tikt mainītas bez iepriekšēja brīdinājuma.
- Katrā valstī specifikācijas var atšķirties.
- Matmenys yra BL4025 ir galva atsukta j priekj.

Piemērotā akumulatora kasetne un lādētājs

Akumulatora kasetne	BL4020 / BL4025 / BL4040 / BL4050F / BL4080F
Lādētājs	DC40RA / DC40RB / DC40RC

- Atkarībā no jūsu mītnes zemes dažas no iepriekš norādītajām akumulatora kasetnēm var nebūt pieejamas.

⚠ BRĪDINĀJUMS: Izmantojiet tikai iepriekš norādītās akumulatora kasetnes un lādētājus. Jebkuru citu akumulatora kasetņu un lādētāju lietošana var būt par iemeslu savainojumiem vai ugunsgrēkam.

Darbības laiks

Akumulatora kasetne	Darbības laiks (aptuvenus)			
	Spot	Food	Spot + Flood	Strobe
BL4020	5,0 stundas	5,0 stundas	3,5 stundas	5,0 stundas
BL4025	6,5 stundas	6,5 stundas	4,5 stundas	6,5 stundas
BL4040	10 stundas	10 stundas	7,5 stundas	10 stundas
BL4050F	13 stundas	13 stundas	9,5 stundas	13 stundas
BL4080F	22 stundas	22 stundas	16 stundas	22 stundas

- Iepriekš tabulā norādītais darbības laiks ir aptuvenas pamatnostādnes. Tas var atšķirties no faktiskā darbības laika.
- Darbības laiks var atšķirties no akumulatora veida, uzlādes statusa un lietošanas apstākļiem.
- Akumulatora kasetne katrā valstī var atšķirties.

Simboli

Tālāk ir norādīti uz ierīces izmantotie simboli. Pirms lietošanas pārlicinieties, vai izprotat to nozīmi.



- Izlasiet instrukciju rokasgrāmatu



- Tikai iekšdarbīem



- Tikai ES valstīs

Dēļ jārangoje esančū pavojīngū sudedamūjū daliū, īšmesta elektros ir elektroninē jāranga, akumulātorā ir baterijos gali turēti neigjamā poveikū aplinkai ir žmoniū sveikatai.

Neišmeskite elektros ir elektroninēs prietaiso ar baterijū kartu su buitinēmīs atliekomis! Pagal Europos direktivas dēl elektros ir elektroninēs jārangos atliekū, akumulātorijū ir baterijū atliekū bei jū pritaikymo nacionalinīams īstatymams, elektros jārangos, baterijū ir akumulātorijū atliekos turi būti laikomos atskirai ir vežamos j atskirā surinkimo punktā už komunalinēms atliekoms, veikiantīs pagal aplinkos apsaugos taisykles.

Tai rodo perbrauktas šūukšlīū dēžēs su ratukais simbolis, esantis ant jārangos.



- Optiskais starojums (UV ir IR)
Samaziniet iedarbību uz acīm un ādu.



- Nevērsiet skatu tieši lampas gaismas starā.



- Izmantojiet atbilstošas aizsargierīces vai acu aizsardzības līdzekļus.



- Ievērojiet īpašu piesardzību un pievērsiet uzmanību!

DROŠĪBAS BRĪDINĀJUMI

SVARĪGAS DROŠĪBAS INSTRUKCIJAS

BRĪDINĀJUMS: Lietojot elektriskos instrumentus, vienmēr jāievēro pamata drošības pasākumi, lai samazinātu aizdegšanās, elektriskās strāvas trieciena un miesas bojājumu risku, tostarp:

IZLASIET VISAS INSTRUKCIJAS.

1. Neskatieties tieši gaismā vai nepakļaujiet acis tās iedarbībai. Acis var tikt bojātas.
2. Neapklājiet lampu ar audumu vai kartonu u.tml., jo var rasties liesmas.
3. Šī ierīce nav ūdensnecaurlaidīga. Nelietojiet to mitrās vai slapjās vietās. Nepakļaujiet to lietus vai sniega iedarbībai. Nemazgājiet to ūdenī.
4. Neaizskariet ierīces iekšpusi ar pinceti, metāla instrumentiem u. tml
5. Kad nelietojat ierīci, vienmēr izslēdziet to un izņemiet no tās akumulatora kasetni.
6. Nesabojājiet iekārtu, to noņemot, uzsītot pa to u. c.
7. Drošības informācija pārnēsājamiem gaismekļiem ar akumulatoriem.
 - Utilizējot akumulatoru, ievērojiet vietējos noteikumus, kas attiecas uz atbrīvošanos no bīstamiem materiāliem.
 - Nededziniet akumulatoru.
 - Papildu informācija gaismekļiem.
8. Šio šviestuvo šviesos šaltinio negalima pakeisti, šviesos šaltiniui pasibaigus eksploataavimo laikui reikia pakeisti visā šviestuvā.
9. Akumulatora instrumentu lietošana un apkope.
 - **BRĪDINĀJUMS.** Izlasiet visus brīdinājumus un norādījumus. Brīdinājumu un norādījumu neievērošana var izraisīt elektrošoku, ugunsgrēku un/vai nopietnus ievainojumus.
 - Novērsiet nejaušu palaišanu. Pirms akumulatoru bloka pievienošanas, ierīces pacelšanas vai pārvietošanas pārbaudiet, vai slēdzis ir izslēgtā pozīcijā. Ierīces pārvietošana ar pirkstu uz slēdža vai ierīces aktivizēšana, ja tās slēdzis ir ieslēgtā pozīcijā, rada nelaimes gadījuma risku.
 - Pirms regulēšanas, piederumu maiņas vai ierīces uzglabāšanas atvienojiet akumulatoru bloku no ierīces. Šādi profilaktiski drošības pasākumi samazina nejaušu ierīces palaišanas risku.
 - Uzlādei izmantojiet tikai ražotāja norādīto lādētāju. Vienam akumulatoru blokam piemērots lādētājs var radīt aizdegšanās risku, ja to izmanto ar citu akumulatoru bloku.
 - Izmantojiet ierīces kopā tikai ar īpaši tām paredzētajiem akumulatora blokiem. Jebkura cita veida akumulatoru bloka izmantošana var radīt traumas un aizdegšanās risku.
 - Ja akumulatoru bloks netiek izmantots, neturiet to citu metāla priekšmetu, piemēram, papīra saspaužu, monētu, atslēgu, naglu, skrūvju vai citu mazu metāla priekšmetu, tuvumā, kas var izveidot savienojumu no vienas spaiļes uz otru. Akumulatora spaiļu īssavienojuma rašanās var radīt apdegumus vai aizdegšanos.

- Skarbos apstākļos šķidrums var izplūst no akumulatora; novērsiet saskari. Ja ir radusies nejauša saskare, noskalojiet ar ūdeni. Ja šķidrums saskaras ar acīm, nekavējoties meklējiet medicīnisku palīdzību. No akumulatora izplūdis šķidrums var radīt kairinājumu vai apdegumus.
- Neizmantojiet akumulatoru bloku vai ierīci, ja tie ir bojāti vai pārveidoti. Bojātu vai pārveidotu akumulatoru darbību nevar paredzēt, un tas var izraisīt aizdegšanos, eksploziju vai traumu risku.
- Akumulatoru bloku vai ierīci nedrīkst pakļaut uguns vai pārmērīgas temperatūras iedarbībai. Pakļaušana uguns iedarbībai vai temperatūrai virs 130 °C (265 °F) var izraisīt eksploziju.
- Ievērojiet uzlādes instrukcijas un neuzlādējiet akumulatoru bloku vai ierīci apstākļos, kuros ir pārsniegtas instrukcijās norādītās temperatūras robežas. Neatbilstoša uzlāde vai uzlāde apstākļos, kuros ir pārsniegtas norādītās temperatūras robežas, var radīt akumulatora bojājumus un paaugstināt aizdegšanās risku.
- Ierīces apkopi drīkst veikt kvalificēts remontstrādnieks, izmantojot tikai identiskas rezerves daļas. Tādējādi tiks nodrošināta ierīces drošība.
- Nepārveidojiet vai nemēģiniet labot ierīci vai akumulatoru bloku, izņemot gadījumus, kas norādīti lietošanas un apkopes instrukcijās.

Svarīgas akumulatora kasetnes drošības instrukcijas

- Pirms akumulatora kasetnes izmantošanas izlasiet visas instrukcijas un brīdinājuma uzlīmes uz (1) akumulatora lādētāja, (2) akumulatora un (3) ierīces, kurā izmanto akumulatoru.
- Neizjauciet akumulatora kasetni un nenoņemiet to atvērt. Tādējādi iespējams izraisīt ugunsgrēku, lielu karstumu vai sprādzienu.
- Ja darbības laiks ir būtiski saīsinājies, nekavējoties pārtrauciet lietošanu. Tas var radīt pārkaršanas, iespējama apdegumu un pat eksplozijas risku.
- Ja elektroliīti iekļūst acīs, izskalojiet tās ar tīru ūdeni un nekavējoties meklējiet medicīnisku palīdzību. Tas var izraisīt redzes zudumu.
- Neizraisiet īssavienojumu akumulatora kasetnē.
- (1) Nepieskarieties poliem ar vadītspējīgu materiālu.
- (2) Izvairieties uzglabāt akumulatora kasetni tvertnē kopā ar citiem metāla priekšmetiem, piemēram, naglām, monētām u. c.
- (3) Nepakļaujiet akumulatora kasetni ūdens vai lietus iedarbībai. Akumulatora īssavienojums var radīt apjomīgu strāvas plūsmu, pārkaršanu, iespējamus apdegumus un pat sadalīšanos.
- Uzglabājiet ierīci un akumulatoru vietās, kur temperatūra nevar sasniegt vai pārsniegt 50 °C (122 °F).
- Nededziniet akumulatora kasetni arī tad, ja tā ir smagi bojāta vai ir pilnībā noliegota. Akumulatora kasetne ugunī var eksplodēt.
- Nedzeniet akumulatora kasetnē naglas, negrieziet, nesaspiediet, nenometiet to, kā arī nesītiēt pa kasetni ar citiem priekšmetiem. Tāda rīcība var izraisīt ugunsgrēku, lielu karstumu vai sprādzienu.
- Nelietojiet bojātu akumulatoru.

- Uz ietvertajiem litija-jonu akumulatoriem attiecas normatīvās prasības par bīstamām precēm. Veicot komerciālus pārvadājumus, piemēram, ko nodrošina trešās personas, ekspeditori, jāievēro īpašas prasības attiecībā uz iesaiņojumu un etiķetēm. Lai sagatavotu nosūtāmo precī, ir jākonsultējas ar bīstamo materiālu speciālistu. Skatiet arī iespējams sīkākus vietējos noteikumus. Aplīmējiet ar līmētu vai nosedziet vaļējus kontaktus un iesaiņojiet akumulatoru tād, lai tas nevar pārvietoties iepakojumā.
- Īsmesdami baterijos kasete, īsīmīkie jī īš prietaiso ir laikykite saugioje vietoje. Ievērojiet vietējos noteikumus par akumulatoru utilizēšanu.
- Izmantojiet akumulatorus kopā tikai ar Makita norādītajiem izstrādājumiem. Akumulatoru ievietošana neatbilstošos izstrādājumos var izraisīt aizdegšanos, pārmērīgu sarkanu, eksploziju vai elektroliītu noplūdi.
- Ja instruments netiek lietots ilgu laiku periodu, akumulators ir jāizņem no instrumenta.
- Lietošanas laikā un pēc tās akumulatora kasetne var sarkt; tas var būt par iemeslu apdegumiem vai zemas temperatūras izraisītām termiskām traumām. Ja jums jāaiztiek karstas akumulatora kasetnes, ievērojiet piesardzību.
- Neaizskariet instrumenta līgzdu tūlīt pēc lietošanas, jo tā var būt pietiekami karsta, lai izraisītu apdegumus.
- Nepieļaujiet, ka akumulatora kasetnes līgzdās, caurumos un rievās iekļūst skaidas, putekļi vai augsne. Tas var izraisīt traucējumus ierīces vai akumulatora kasetnes darbībā vai tos pilnībā sabojāt.
- Ja vien instruments nav paredzēts lietošanai augstsprieguma elektroliīnu tuvumā, nelietojiet akumulatora kasetni augstsprieguma elektroliīnu tuvumā. Tas var izraisīt traucējumus ierīces vai akumulatora kasetnes darbībā vai tos pilnībā sabojāt.
- Neļaujiet bērniem piekļūt akumulatoram.

SAGLABĀJIET ŠĪS INSTRUKCIJAS.

⚠ UZMANĪBU: Izmantojiet tikai oriģinālos Makita akumulatorus. Tādu akumulatoru lietošana, kas nav Makita oriģinālie vai ir izmainīti, var būt par iemeslu tam, ka akumulators sprāgst un izraisa ugunsgrēkus, ievainojumus un citu kaitējumu. Tas arī anulē Makita instrumenta un lādētāja Makita garantiju.

Padomi maksimālā akumulatora darbmūža uzturēšanai

1. Uzlādējiet akumulatora kasetni pirms tā ir pilnībā izlādējusies. Vienmēr pārtrauciet instrumenta darbību un uzlādējiet akumulatora kasetni, ja pamanāt, ka tā jauda ir mazāka.
2. Nekādā gadījumā nelādējiet līdz galam uzlādētu akumulatora kasetni. Pārlādēšana saīsina akumulatora darbmūžu.
3. Uzlādējiet akumulatora kasetni 10–40 °C (50–104 °F) istabas temperatūrā. Pirms uzlādēšanas nogaidiet, līdz karsta akumulatora kasetne atdziest.
4. Kad akumulatora kasetne netiek lietota, izņemiet to no ierīces vai lādētāja.
5. Uzlādējiet akumulatora kasetni, ja to nav paredzēts lietot ilgu laiku periodu (vairāk nekā sešus mēnešus).

DARBĪBAS APRAKSTS

⚠ UZMANĪBU: Pirms instrumenta funkcijas pielāgošanas vai pārbaudes vienmēr pārliecinieties, ka instruments ir izslēgts un akumulatora kasetne ir izņemta.

Akumulatora kasetnes ievietošana vai izņemšana (Fig. 1)

⚠ UZMANĪBU: Pirms akumulatora kasetnes izņemšanas vienmēr izslēdziet instrumentu.

⚠ UZMANĪBU: Ievietojot vai izņemot akumulatora kasetni, stingri turiet instrumentu un akumulatora kasetni. Ja instruments un akumulatora kasetne netiek stingri turēti, tie var izslīdēt no rokām, kā arī izraisīt instrumenta un akumulatora kasetnes vai miesas bojājumus.

Lai akumulatora kasetni izņemtu, izbīdi to no instrumenta, vienlaicīgi bīdot pogu kasetnes priekšpusē. Lai akumulatora kasetni ievietotu, izlīdziniet akumulatora kasetnes mēli ar korpusa rievu un iebīdi to vietā. Ievietojiet to līdz galam, līdz tā fiksejas vietā ar kļušu klikšķi. Jei matote raudonā indikatoriaus lempuṭe, kaip parodyta paveikslēlyje, tai reiškia, kad ji nėra visiškai užrakinta.

⚠ UZMANĪBU: Obligāti ievietojiet akumulatora kasetni līdz galam, līdz nav redzams sarkanais indikators. Pretējā gadījumā tā var nejauši izkrist no instrumenta, izraisot miesas bojājumus jums vai apkārtējiem.

⚠ UZMANĪBU: Neievietojiet akumulatora kasetni ar spēku. Ja kasetni nevar viegli iebīdīt, tā nav pareizi ievietota.

Akumulatora atlikušās jaudas norādīšana (Fig. 2)

Lai redzētu atlikušo akumulatora jaudu, nospiediet pārbaudes pogu uz akumulatora kasetnes. Indikatorlampiņas ieslēdzas uz dažām sekundēm.

Indikatorlampiņas			Atlikusī jauda
Izgaismotas	Izslēgtas	Mirgo	
■ ■ ■ ■	□	◻	75 %-100 %
■ ■ ■ □	□	◻	50-75%
■ ■ □ □	□	◻	25-50%
■ □ □ □	□	◻	0-25%
◻ □ □ □	□	◻	Uzlādējiet akumulatoru.
■ ■ □ □ ↑ ↓	□ □	◻	Iespējams, ka radušies akumulatora darbības traucējumi.

IEVĒROT: Atkarībā no lietošanas apstākļiem un apkārtējās temperatūras norādes var nedaudz atšķirties no faktiskās jaudas.

IEVĒROT: Pirmā (no kreisās puses) indikatorlampiņa mirgo, kad darbojas akumulatora aizsardzības sistēma.

Gaismas ieslēgšana (Fig. 3)

⚠ UZMANĪBU: Neskatieties gaismā un gaismas avotā tieši.

Lai ieslēgtu gaismu, nospiediet ieslēgšanas pogu. Lai izslēgtu gaismu, vēlreiz nospiediet ieslēgšanas pogu.

IEVĒROT: Ierīce ieslēdzas pēdējā iestatītajā režīmā.

Režīma izvēle

Kad gaisma ir ieslēgta, nospiediet **MODE** pogu, lai izietu cauri **spot, flood un spot + flood** iestatījumiem.

Ieslēdziet strobe apgaismojumu (Fig. 4)

Nospiediet un turiet **MODE** pogu, līdz ierīce pārslēdzas **strobe** režīmā. Lai izslēgtu strobe režīmu, vienkārši nospiediet **MODE** pogu.

Ierīces/akumulatora drošības sistēma

Ierīce ir aprīkota ar aizsardzības sistēmu, kas automātiski atslēdz izejas jaudu ilgāka darbūmūža nodrošināšanai.

Apsauga nuo per didelēs iškrovos (Fig. 5)

Kai išsenka baterijos energija, išskyrus vieną LED, kiti LED lempuṭės užgęsta. Tad pēc aptuveni piecām līdz desmit minūṭēm sistēma automātiski atslēdz jaudas padevi.

Užkirsti kelią kitoms priežastims

Apsaugos sistema sukurta ir dėl kitų priežasčių, kurios gali sugadinti prietaisą ir leidžia prietaisui automatiškai sustoti. Kai prietaisas laikinai sustoja arba nustoja veikti, atlikite visus toliau nurodytus veiksmus, kad pašalintumėte priežastį.

1. Išjunkite prietaisą, po to vėl įjunkite, kad paleistumėte iš naujo.
2. Įkraukite bateriją (-as) arba pakeiskite jį/jas visiškai įkrauta baterija(-os).
3. Leiskite prietaisui ir baterijai (-oms) atvėsti.
Jei atkūrus apsaugos sistemą pagerėjimo nerasta, susisiekite su vietiniu Makita Aptarnavimo Centru.

Galvas lenķis (Fig. 6)

⚠ UZMANĪBU: Mainot galvas lenķi, ievērojiet piesardzību, lai nespīestu pirkstus starp galvu un instrumenta korpusu.

Galvas lenķi var pielāgot 4 pozīcijās.

Āķis (Fig. 7)

⚠ UZMANĪBU: Paceļot āķi, ievērojiet piesardzību, lai nespiestu pirkstus starp āķi un instrumenta korpusu.

Plecu sikсна (Fig. 8)

Plecu siksnu var uzstādīt ar saspraudēm abos galos.

⚠ UZMANĪBU: Nenaudokite ziedo jokiais kitais tikslais, išskyrus pakabinimo prietaisā. Priešingu atveju gali sukelti asmeninę traumą.

APKOPE

⚠ UZMANĪBU: Pirms instrumenta pārbaudes vai apkopes vienmēr pārliecinieties, ka instruments ir izslēgts un akumulatora kasetne ir izņemta.

PAZIŅOJUMS: Nekādā gadījumā neizmantojiet degvielu, benzīnu, šķidrīnātāju, spirtu vai līdzīgas vielas. Var rasties krāsas zudums, deformācija vai plaisas.

Lai saglabātu ierīces DROŠĪBU un UZTICAMĪBU, remontdarbi, jebkura cita apkope vai pielāgošana jāveic Makita pilnvarotajiem vai rūpnīcas apkopes centriem, vienmēr izmantojot Makita rezerves daļas.

PAPILDUS IEGĀDĀJAMI PIEDERUMI

⚠ UZMANĪBU: Šos piederumus vai pierīces ieteicams lietot kopā ar Makita instrumentu, kas norādīts šajā rokasgrāmatā. Jebkādu citu piederumu vai pierīču izmantošana var radīt kaitējuma personām risku. Izmantojiet piederumu vai pierīci tikai tam paredzētajam mērķim.

Ja jums nepieciešama palīdzība, lai iegūtu sīkaku informāciju par šiem piederumiem, jautājiet vietējā Makita apkopes centrā.

- Makita oriģinālais akumulators un lādētājs.

IEVĒROT: Dažas sarakstā norādītās vienības var būt iekļautas instrumentu komplektā kā standarta piederumi. Katrā valstī tās var atšķirties.

LIETUVIŲ KALBA (Originalios instrukcijos)

Bendro vaizdo paaiškinimas

- | | | |
|-----------------------------------|-------------------------|--------------------------------|
| 1. Baterijos kasetė | 5. Patikrinimo mygtukas | 9. Taškinis + platusis režimas |
| 2. Raudonas indikatorius | 6. Įjungimo mygtukas | 10. Taškinis režimas |
| 3. Baterijos atfiksavimo mygtukas | 7. REŽIMO mygtukas | 11. Kabliukas |
| 4. Indikatoriaus lemputės | 8. Platusis režimas | 12. Peties dirželis |

SPECIFIKACIJOS

Modelis	ML007G
LED	Taškinis 1 gab. / Platusis: 16 gab. (Blyksėjimas: 17 gab.)
Matmenys (ilgis × plotis × aukštis)	323 mm × 120 mm × 118 mm
Vardinė įtampa	D.C. 36 V–40 V maks.
Grynasis svoris (be baterijos kasetės ir peties dirželis)	0,95 kg

- Kadangi mūsų tyrimų ir plėtos programa yra toliau vykdoma, čia nurodytos specifikacijos gali būti pakeistos nepranešus.
- Specifikacijos priklauso nuo šalies.
- Izmēri ir ar BL4025 un ar galvu, kas ir vērsta uz priekšu.

Tinkama baterijos kasetė ir įkroviklis

Baterijos kasetė	BL4020 / BL4025 / BL4040 / BL4050F / BL4080F
Įkroviklis	DC40RA / DC40RB / DC40RC

- Priklausomai nuo jūsų regiono, kai kurių pirmiau nurodytų baterijų kasetėčių gali nepavykti gauti.

⚠ ĮSPĖJIMAS: Naudokite tik aukščiau nurodytą baterijos kasetes ir įkroviklius. Naudodami kitas baterijų kasetes ir įkroviklius galite susižeisti ir (arba) sukelti gaisrą.

Veikimo laikas

Baterijos kasetė	Veikimo laikas (apytikslis)			
	Taškinis	Platusis	Taškinis + platusis	Blyksėjimas
BL4020	5,0 valandos	5,0 valandos	3,5 valandos	5,0 valandos
BL4025	6,5 valandos	6,5 valandos	4,5 valandos	6,5 valandos
BL4040	10 valandos	10 valandos	7,5 valandos	10 valandos
BL4050F	13 valandos	13 valandos	9,5 valandos	13 valandos
BL4080F	22 valandos	22 valandos	16 valandos	22 valandos

- Lentelėje nurodyti veikimo laikai yra apytiksliai. Faktinis veikimo laikas gali skirtis.
- Veikimo laikas gali skirtis priklausomai nuo baterijos tipo, įkrovimo būsenos ir naudojimo sąlygų.
- Skirtingose šalyse gali būti parduodamos kitokios baterijų kasetės.

Simboliai

Toliau pateikti ant įrangos naudojami simboliai. Prieš naudodami būtina išsiaiškinkite simbolių prasmę.



- Perskaitykite naudojimo vadovą



- Naudoti tik patalpose



- Skirta tik ES šalims
- Dėl kaitfų vielu kląbtūtnes izstrādājumā, elektrisko un elektronisko izstrādājumu, akumulatoru un bateriju atkritumi var atstāt negatīvu ietekmi uz apkārtnējo vidi un cilvēku veselību.

Elektriskās un elektroniskās ierīces vai akumulatorus nedrīkst likvidēt kopā ar sadzīves atkritumiem! Ņemot vērā Eiropas Direktīvu par elektrisko un elektronisko iekārtu atkritumiem, bateriju un akumulatoru atkritumiem un to pielāgošana valsts tiesību aktiem, elektrisko iekārtu, bateriju un akumulatoru atkritumiem jābūt apstrādātiem un pārstrādātiem, ievērojot noteiktās prasības atbilstoši normatīvajiem aktiem par atkritumu apsaimniekošanu un vides aizsardzību. To norāda pārsvītrots atkritumu konteineru simbols, kas ir parādīts uz izstrādājuma.



- Optinē spinduliuotē (ultravioletiniai ir infraraudonieji spinduliai). Kiek įmanoma labiau sumažinkite poveikį akims arba odai.



- Nežiūrėkite į veikiančią lempą.



- Naudokite tinkamą antveidį arba akių apsaugines priemones.



- Elkitės itin rūpestingai ir atsargiai!

SAUGOS ĮSPĖJIMAI

SVARBIOS SAUGOS INSTRUKCIJOS

⚠ ĮSPĖJIMAS: Naudojant elektrinius įrankius būtina visada laikytis bazinių atsargumo priemonių, padedančių išvengti gaisro, elektros smūgio ir kūno sužalojimo pavojų, įskaitant šias:

PERSKAITYKITE VISAS INSTRUKCIJAS.

1. Nežiūrėkite į šviesą ir nenueikite šviesos į akis. Galima pakenkti akims.
2. Neuždenkite žibinto medžiaga arba kartonu ir pan., nes gali kilti gaisras.
3. Prietaisas nėra atsparus vandeniui. Nenaudokite drėgnose ar šlapiose vietose. Saugokite nuo lietaus ir sniego. Neplaukite vandenyje.
4. Nelieskite vidinių prietaiso dalių replėmis, metaliniais įrankiais ir pan.
5. Kai prietaisas nenaudojamas, visada jį išjunkite ir iš prietaiso išimkite baterijas kasetę.
6. Nenumeskite prietaiso, saugokite jį nuo smūgių ir pan.
7. Nešiojamųjų šviestuvų su baterijomis saugos informacija.
 - Baterijas būtina šalinti pagal jūsų vietinius įstatymus, susijusius su pavojingų medžiagų šalinimu.
 - Nedeginkite baterijų.
 - Papildoma informacija apie šviestuvus.
 - Ši gaismeklį gaismas avotu nevar nomainīt; tad, kad gaismas avots ir izdedzis, ir jānomaina visu gaismekli.
9. Įrankio su baterija naudojimas ir priežiūra.
 - ĮSPĖJIMAS: Perskaitykite visus saugos įspėjimus ir instrukcijas. Nesilaikant visų įspėjimų ir instrukcijų galimas elektros šokas, gaisras ir (arba) rimtas kūno sužalojimas.
 - Pasirūpinkite, kad prietaisas nebūtų įjungtas atsitiktinai. Prieš prijungdami bateriją, paimdami arba nešdami prietaisą įsitikinkite, kad jungiklis nustatytas į išjungimo padėtį. Jei prietaisą nešite laikydami pirštą ant jungiklio arba tiekdami energiją į prietaisą, kurio jungiklis įjungtas, gali kilti nelaimė.
 - Prieš reguliuodami, keisdami priedus arba sandėliuodami prietaisą, atjunkite bateriją nuo prietaiso. Tokios prevencinės saugos priemonės sumažins prietaiso atsitiktinio įsijungimo pavojų.
 - Įkraukite tik naudodami gamintojo nurodytą įkroviklį. Jei įkroviklis, kuris tinkamas vieno tipo baterijai, bus naudojamas kito tipo baterijai įkrauti, gali kilti gaisro pavojus.
 - Naudokite prietaisus prijungę tik specialiai sukurtas baterijas. Naudodami kitas baterijas galite susižeisti ir sukelti gaisrą.
 - Kai baterija nenaudojama, laikykite ją atokiai nuo metalinių objektų, pvz., sąvaržėlių, monetų, raktų, vinių, varžtų arba kitų mažų metalinių objektų, kurie gali sujungti vieną terminalą su kitu. Baterijos terminalų trumpasis jungimas gali sukelti nudegimų arba gaisrą.

- Netinkamomis sąlygomis skystis gali ištekėti iš baterijos; nelieskite jo. Jei atsitiktinai paliesite, nuplaukite vandeniu. Jei skystis patenka į akis, kreipkitės medikų pagalbos. Iš baterijos ištekėjęs skystis gali sukelti dirginimą arba nudegimų.
- Nenaudokite baterijos arba prietaiso, kuris yra pažeistas arba pakeistas. Pažeistos arba pakeistos baterijos gali veikti neprognozuojamai ir sukelti gaisrą, sproginimą arba sužeidimo pavojų.
- Saugokite bateriją arba prietaisą nuo liepsnos ar aukštos temperatūros. Ugnies arba aukštesnės nei 130 °C (265 °F) temperatūros poveikis gali sukelti sproginimą.
- Vadovaukitės visomis įkrovimo instrukcijomis ir neįkraukite baterijų arba prietaiso kitomis nei instrukcijose nurodytomis temperatūros sąlygomis. Įkraunant netinkamai arba netinkamomis temperatūros sąlygomis baterija gali būti pažeista ir gali padidėti gaisro pavojus.
- Techninę priežiūrą turi atlikti kvalifikuotas remontininkas, naudojantis tik identiškas atsargines dalis. Tokiu būdu galima užtikrinti produkto saugą.
- Nekeiskite ir nebandykite taisyti prietaiso arba baterijos, išskyrus atvejus, kai tai nurodyta naudojimo ir priežiūros instrukcijose.

Svarbios baterijos kasetės saugos instrukcijos

- Prieš naudodami baterijos kasetę perskaitykite visas instrukcijas ir įspėjamuosius ženklus ant (1) baterijos įkroviklio, (2) baterijos ir (3) produkto, kuriame naudojama baterija.
- Neardykite arba neperdarykite baterijos kasetės. Tai gali sukelti gaisrą, perkaitimą arba sproginimą.
- Jei veikimo laikas labai sutrumpėjo, nedelsdami nustokite naudoti. Gali kilti perkaitimo, nudegimų ir netgi sproginimo pavojus.
- Jei elektrolitas pateks į jūsų akis, nuplaukite jas švariu vandeniu ir nedelsdami kreipkitės medikų pagalbos. Dėl to galima prarasti regą.
- Nesukelkite baterijos kasetės trumpo sujungimo.
 - (1) Nelieskite terminalų jokiomis laidžiomis medžiagomis.
 - (2) Venkite laikyti baterijos kasetę talpykloje, kurioje laikomi kiti metaliniai objektai, pvz., vinys, monetos ir pan.
 - (3) Saugokite baterijos kasetę nuo vandens arba lietaus. Trumpasis įkrovimo jungimas gali sukelti didelę srovės tėkmę, perkaitimą, nudegimų arba netgi sugedimą.
- Nelaiykite prietaiso ir baterijos kasetės vietoje, kuriose temperatūra gali pakilti iki 50 °C (122 °F) ar daugiau.
- Nepadėkite baterijos kasetės, net jei ji smarkiai sugadinta arba visiškai susidėvėjusi. Baterijos kasetė gali sprogti ir sukelti gaisrą.
- Nelupkite, nepjaustykite, netraiškykite, nenumeskite baterijos kasetės arba nemeskite jos į kietą daiktą. Toks veiksmas sukelti gaisrą, perkaitimą arba sproginimą.
- Nenaudokite pažeistos baterijos.

- Viduje esančioms ličio jonų baterijoms taikomi pavojingų krovinių teisės aktų reikalavimai. Gabenant komerciniu transportu, pvz., trečiųjų šalių, ekspeditorių transportu, reikia laikytis specialių reikalavimų, nurodytų ant pakuotės ir etikečių. Ruošdamiesi produktą siūsti, būtina pasitarti su pavojingų medžiagų specialistu. Taip pat laikytis nacionalinių reglamentų, kurie gali būti išsamesni. Atviras vietas apvyniokite juosta arba uždenkite ir supakuokite bateriją tokiu būdu, kad pakuotėje ji negalėtų judėti.
- Akumulatora kasetnes likvidėšanas laikā, noņemiet to no ierīces un likvidējiet to drošā vietā. Vadovaukitės vietos reglamentais, taikomais išmetamoms baterijoms.
- Naudokite baterijas tik produktuose, kuriuos nurodė „Makita“. Įdėjus baterijas į reikalavimų neatitinkančius produktus galima sukelti gaisrą, pernelyg didelį įkaitimą, sproginimą arba elektrolitų nutekėjimą.
- Jei įrankis nenaudojamas ilgą laiką, bateriją reikia pašalinti iš įrankio.
- Naudojimo metu ir po jo baterijos kasetė gali įkaisti, o tai gali sukelti lengvus arba vidutinio laipsnio nudegimus. Atkreipkite dėmesį į tai, kaip elgtis su įkaitusiomis baterijų kasetėmis.
- Nelieskite prietaiso terminalo iškart po naudojimo, nes jis gali pakankamai įkaisti ir nudeginti.
- Saugokite, kad į baterijos kasetės terminalus, angas ir griovelius nepatektų skiedrų, dulkių ar žemių. Tai gali sugadinti prietaisą ar baterijos kasetę arba jie gali blogai veikti.
- Nenaudokite baterijos kasetės šalia aukštos įtampos elektros linijų, nebent prietaisą leidžiama naudoti šalia aukštos įtampos elektros linijų. Tai gali sugadinti prietaisą ar baterijos kasetę arba jie gali veikti netinkamai.
- Laikykite bateriją vaikams nepasiekiamoje vietoje.

ĮŠSAUGOKITE ŠIAS INSTRUKCIJAS.

⚠ ATSAARGIAI: Naudokite tik originalias „Makita“ baterijas. Ne originalių „Makita“ baterijų arba perdirbtų baterijų naudojimas gali sukelti baterijos sproginimą, gaisrą, asmens sužalojimą ir gedimus. Be to, taip pat bus pažeistos „Makita“ įrankio ir įkroviklio „Makita“ garantijos sąlygos.

Patarimai, kaip maksimaliai pratęsti baterijos eksploatavimo laiką

1. Įkraukite bateriją prieš baterijai visiškai išsikraunant. Visada liaukitės naudoję įrankį ir įkraukite baterijos kasetę, kai pastebite, kad sumažėjo įrankio galia.
2. Niekada pakartotinai neįkraukite visiškai įkrautos baterijos kasetės. Perteklinis įkrovimas trumpina baterijos eksploatavimo laiką.
3. Įkraukite bateriją kambario temperatūroje: 10–40 °C (50–104 °F). Prieš įkraudami palaukite, kol karšta baterijos kasetė atvės.
4. Kai baterijos kasetės nenaudojate, išimkite ją iš prietaiso arba įkroviklio.
5. Įkraukite baterijos kasetę, jei ilgą laiką jos nenaudosite (ilgiau nei šešis mėnesius).

FUNKCINIS APRAŠYMAS

⚠ ATSAARGIAI: Prieš atlikdami bet kokius reguliavimo veiksmus arba tikrindami įrankio funkcijas įsitikinkite, kad įrankis išjungtas, o baterijos kasetė išimta.

Baterijos kasetės įdėjimas ir išėmimas (Fig. 1)

⚠ ATSAARGIAI: Būtinai išjunkite įrankį prieš išimdami baterijos kasetę.

⚠ ATSAARGIAI: Įdėdami arba išimdami baterijos kasetę tvirtai laikykite įrankį ir baterijos kasetę. Jei įrankis ir baterijos kasetė nebus laikomi tvirtai, jie gali išslįsti iš rankų ir būti sugadinti, taip pat galite susižeisti.

Norėdami išimti baterijos kasetę, stumkite ją iš įrankio, stumdami ant priekinės kasetės pusės esantį mygtuką. Norėdami įdėti baterijos kasetę, sulygiuokite liežuvėlį ant baterijos kasetės su groveliu korpusė ir įstumkite į vietą. Įstumkite ją iki galo, kol ji užsifiksuos ir pasigirs nežymus spragtelėjimas. Ja parādās sarkana indikatorius lampina, kā parādīts attēlā, tad tas nav pilnībā aizslēgts.

⚠ ATSAARGIAI: Visada įstatykite baterijos kasetę iki galo, kol nebesimatys raudono indikatorius. Antraip ji gali netikėtai iškristi iš įrankio ir sužeisti jus ar šalia esantį asmenį.

⚠ ATSAARGIAI: Nekiškite baterijos kasetės naudodami jėgą. Jei kasetės nepavyksta įslinkti lengvai, ji yra įdedama netinkamai.

Likusios baterijos įkrovos rodymas (Fig. 2)

Paspauskite patikrinimo mygtuką, esantį ant baterijos kasetės, kad sužinotumėte likusią baterijos įkrovą. Indikatorius lemputės kelioms sekundėms užsidega.

Indikatoriaus lemputės			Likusi įkrova
Šviečia	Nešviečia	Mirksi	
			75–100 %
			50–75 %
			25–50 %
			0–25 %
			Įkraukite bateriją.
			Baterija galėjo sugesti.

PASTABA: Priklausomai nuo naudojimo sąlygų ir aplinkos temperatūros, rodomi duomenys gali šiek tiek skirtis nuo faktinės įkrovos.

PASTABA: Veikiant akumulatoriaus apsaugos sistemai, mirksi pirmoji (tolima kairė) indikatorius lemputė.

Šviesos įjungimas (Fig. 3)

⚠ ATSAARGIAI: Nežiūrėkite tiesiai į šviesos šaltinį.

Įjunkite šviesą paspausdami įjungimo mygtuką. Kai norėsite išjungti šviesą, paspauskite įjungimo mygtuką dar kartą.

PASTABA: Prietaisas įsijungia režimu, kuriuo buvo naudojamas prieš išjungiant.

Režimo pasirinkimas

Kai šviesa įjungta, paspausdami **REŽIMO** mygtuką perjunkite **taškinio, plačiojo** ir **taškinio + plačiojo** apšvietimo nuostatas.

Blyksėjimo įjungimas (Fig. 4)

Paspauskite ir palaikykite **REŽIMO** mygtuką, kol prietaisas persijungs į **blyksėjimo** režimą. Kai norėsite išjungti **blyksėjimo** režimą, tiesiog paspauskite **REŽIMO** mygtuką.

Ierčiai / baterijos apsaugos sistema

Ierčiai įtaisyta apsaugos sistema, kuri automatiškai išjungia atiduodamąją galią, kad įrankis tarnautų ilgiau.

Pārslōģošanas aizsardzība (Fig. 5)

Akumulatora zema uzlādes līmeņa gadījumā, LED gaismas izslēgsies, izņemot vienu LED gaismu. Tada maždaug po 5–10 minūčių sistema automatiškai išjungia maitinimą.

Aizsardzība pret citiem cēloņiem.

Aizsardzības sistēma ir paredzēta arī citiem cēloņiem, kas varētu bojāt ierīci, kā arī automātiski pārtraukt tās darbu. Ievērojiet sekojošus norādījumus, lai atļirtu ierīci, ja tās darbība tikusi īslaicīgi apstādīnāta vai pārtraukta.

1. Lai atsāknētu ierīci, izslēdziet un ieslēdziet to.
2. Uzlādējiet akumulatoru(-us) vai nomainiet to/tos ar pilnībā uzlādētu akumulatoru(-iem).
3. Dodiet ierīciem akumulatoram(-iem) laiku atdzist. Gadījumā, ja neizdodas uzlabot ierīces stāvokli ar aizsardzības sistēmas atjaunošanu, sazinieties ar vietējo Makita pakalpojumu servisu.

Galvutės kampas (Fig. 6)

⚠ ATSAARGIAI: Keisdami galvutės kampą saugokitės, kad neprispaustumėte pirštų tarp galvutės ir įrankio korpuso.

Galvutės kampą galima reguliuoti 4 etapais.

Kabliukas (Fig. 7)

⚠ ATSAARGIAI: Keldami kabliuką saugokitės, kad neprispaustumėte pirštų tarp kabliuko ir įrankio korpuso.

Nešiojimo ant peties dirželis (Fig. 8)

Nešiojimo ant peties dirželį galima uždėti naudojantis abiejuose galuose esančiomis apkabomis.

⚠ ATSAARGIAI: Gredzenu izmantojiet tikai ierīces piekāršanai un nekādam citam mērķim. Pretējā gadījumā var iegūt traumas.

PRIEŽIŪRA

⚠ ATSAARGIAI: Prieš atlikdami tikrinimo ar priežiūros darbus įsitikinkite, kad įrankis išjungtas, o baterijos kasetė išimta.

PERSPĒJIMAS: Niekada nenaudokite gazolino, benzino, skiediklio, alkoholio ar kitų panašių medžiagų. Dėl to gali pasikeisti spalva, forma arba gali atsirasti įtrūkimų.

Siekiant išsaugoti produkto SAUGĄ ir PATIKIMUMĄ, visus remonto, priežiūros ir reguliavimo darbus reikia atlikti „Makita“ autorizuotame arba gamykliniame priežiūros centre ir tik naudojant „Makita“ atsargines dalis.

PASIRENKAMI PRIEDAI

⚠ ATSAARGIAI: Šiuos priedus ir papildomus įtaisus rekomenduojama naudoti su šiaime vadove aprašytu „Makita“ įrankiu. Bet kokių kitų priedų naudojimas gali sukelti asmenų sužeidimo pavojų. Priedus naudokite tik pagal nurodytą paskirtį.

Jei reikia bet kokios pagalbos arba daugiau informacijos apie priedus, kreipkitės į vietinį „Makita“ priežiūros centrą.

- „Makita“ originali baterija ir įkroviklis.

PASTABA: Kai kurie sąraše nurodyti elementai gali būti įtraukti į įrankio pakuotę kaip standartiniai priedai. Tai priklauso nuo šalies.

EESTI KEEL (Originaal juhend)

Üldvaate selgitus

- | | | | |
|-------------------------|------------------------|------------------------------------|-------------|
| 1. Akukassett | 5. Kontrollnupp | 9. Kohtvalgus + tulvavalgus režiim | 13. Kinniti |
| 2. Punane näidik | 6. Toitenupp | 10. Kohtvalgus režiim | |
| 3. Aku vabastamise nupp | 7. Nupp MODE (RE-ŽIIM) | 11. Konks | |
| 4. Näidiku märgutuled | 8. Tulvavalgus režiim | 12. Õlarihm | |

SPETSIFIKATSIOONID

Mudel	ML007G
LED	Kohtvalgus: 1 tk. / Tulvavalgus: 16 tk. (Viikurvalgus: 17 tk.)
Mõõtmed (P × L × K)	323 mm × 120 mm × 118 mm
Nimipinge	Alalisvool 36–40 V max
Netokaal (ilma akukassetita ja õlarihm)	0,95 kg

- Meie jätkuva uurimis- ja arenguprogrammi tõttu võivad käesolevad spetsifikatsioonid muutuda ilma ette teatamata.
- Spetsifikatsioonid võivad riigiti erineda.
- Mõõdud on koos BL4025-ga ja peaga ettepoole.

Sobiv akukassett ja laadija

Akukassett	BL4020 / BL4025 / BL4040 / BL4050F / BL4080F
Laadija	DC40RA / DC40RB / DC40RC

- Sõltuvalt teie elukohast ei pruugi mõned eespool loetletud akukassetid saadaval olla.

⚠ HOIATUS: Kasutage ainult ülalnimetatud akusid ja laadijaid. Teiste akukassetide ja laadijate kasutamine võib põhjustada vigastusi ja/või tulekahju.

Tööaeg

Akukassett	Tööaeg (ligikaudu)			
	Kohtvalgus	Tulvavalgus	Kohtvalgus + tulvavalgus	Viikurvalgus
BL4020	5,0 tundi	5,0 tundi	3,5 tundi	5,0 tundi
BL4025	6,5 tundi	6,5 tundi	4,5 tundi	6,5 tundi
BL4040	10 tundi	10 tundi	7,5 tundi	10 tundi
BL4050F	13 tundi	13 tundi	9,5 tundi	13 tundi
BL4080F	22 tundi	22 tundi	16 tundi	22 tundi

- Eespool toodud tabelis olevad tööajad on ligikaudsed. Need võivad tegelikest tööaegadest erineda.
- Tööajad võivad sõltuvalt aku tüübist, laadimisolekust ja kasutustingimustest erineda.
- Akukassett võib riigiti erineda.

Sümbolid

Järgnevalt on toodud seadme jaoks kasutatavad sümbolid. Enne kasutamist veenduge, et mõistate nende tähendust.



- Lugege kasutusjuhendit



- Kasutamiseks vaid siseruumides



- Ainult EL-i riikidele
Ohtlike komponentide olemasolu tõttu seadmes võivad elektri- ja elektroonikaseadmete jäätmel, akud ja patareid avaldada negatiivset mõju keskkonnale ja inimeste tervisele.
Ärge visake elektri- ja elektroonikaseadmeid ega akusid koos olmejäätmetega!
Vastavalt Euroopa direktiivile elektri- ja elektroonikaseadmete jäätmel ning akude ja patareide ning akude ja patareide jäätmel kohta ning nende kohandamise kohta siseriikliku õigusega tuleks elektriseadmeid, patareid ja akusid hoida eraldi ja toimetada eraldi kogumispunkti, olmejäätmete osas, mis toimivad vastavalt keskkonnakaitse eeskirjadele.
Seda tähistab seadmele asetatud läbikiipsutatud prügikasti sümbol.



- Optiline kiirgus (UV ja IR).
Vähendage kokkupuudet silmade või nahaga.



- Ärge vaadake töötavasse lampi.



- Kasutage sobivat varjestust või silmade kaitset.



- Olge eriti hoolikas ja tähelepanelik.

OHUTUSHOIATUSED

OLULISED OHUTUSJUHISED

⚠ HOIATUS: Elektritööriistade kasutamisel tuleb alati järgida põhilisi ohutusabinõusid, vähendamaks tulekahju, elektrilöögi ja kehavigastuste ohtu, sealhulgas järgnevat.

LUGEGE KÕIKI JUHENDEID.

1. Ärge vaadake valgusesse ega laske silmadel otse valgusvihuga kokku puutuda. Silmad võivad kahjustuda.
2. Ärge katke lampi riide või papiga vms. See võib leegi põhjustada.
3. Seade ei ole veekindel. Ärge kasutage seda niisketes ega märgades tingimustes. Ärge laske sel kokku puutuda vihma ega lumega. Ärge peske seda vees.
4. Ärge puudutage seadme sisemust pintsettide, metalltööriistade ega muuga.
5. Kui seadet ei kasutata, lülitage see alati välja ja eemaldage akukassett seadmest.
6. Ärge avaldage seadmele mõju seda maha kukutades, lüües jne.
7. Akudega kaasaskantavate valgustite ohutusteave.
 - Akude kõrvaldamine peab vastama teie kohalike eeskirjadele, mis käsitlevad ohtlike materjalide kõrvaldamist.
 - Ärge põletage akut.
8. Valgustite täiendav teave.
 - Antud valgusti valgusallikas ei ole vahetatav; kui valgusallika kasutamisega jõuab lõpule, tuleb kogu valgusti välja vahetada.
9. Akukasseti kasutamine ja hooldamine.
 - HOIATUS: Lugege läbi kõik ohutushoiatused ja juhised. Hoiatuste ja juhiste eiramisel võite saada elektrilöögi, raskelt vigastada või põhjustada tulekahju.
 - Vältige juhuslikku käivitamist. Veenduge enne akukomplekti ühendamist, seadme ülesvõtmist ja kandmist, et lüliti on väljalülitatud asendis. Seadme kandmine nii, et teie sõrm on lüliti või sisselülitatud seadme pingestamine võib põhjustada õnnetusi.
 - Enne seadistamist, tarvikute vahetamist või seadme hoiule panekut eemaldage seadmest akukomplekt. Sellise ettevaatusabinõu kasutamine hoiab ära seadme tahtmatu käivitamise.
 - Laadige ainult tootja määratud laadijaga. Ühte tüüpi akukomplektile sobiv laadija võib tekitada tulekahju ohtu, kui seda kasutatakse teiste akukomplektidega.
 - Kasutage seadmeid ainult ettenähtud akukomplektidega. Teiste akukomplektide kasutamine võib põhjustada vigastuste ja tulekahju ohtu.
 - Kui akukomplekt ei ole kasutuses, hoidke seda eemal muudest metallobjektidest nagu kirjaklambrid, mündid, võtmed, naelad, kruvid ja teised väikesed metallobjektid, mis võivad kahe klemmi vahel ühenduse luua. Akuklemmide lühisesse viimine võib põhjustada põletusi või tulekahju.

- Kuritarvitamise korral võib patareist paiskuda vedelikke; vältige kokkupuudet. Juhusliku kokkupuute korral loputage veega. Kui vedelik puutub kokku silmadega, pöörduge arsti poole. Akust paiskunud vedelik võib põhjustada ärritust või põletusi.
- Ärge kasutage akukomplekti või seadet, mis on kahjustunud või muudetud. Kahjustunud või muudetud akud võivad käituda ettearvamatult, põhjustades tulekahju, plahvatuse või vigastuste ohu.
- Ärge laske akukomplekti puutuda kokku tule või liiga kõrgete temperatuuridega. Kokkupuude tulekahjuga või temperatuuriga üle 130 °C (265 °F) võib põhjustada plahvatuse.
- Järgige kõiki laadimisjuhiseid ja ärge laadige akukomplekti või seadet väljaspool juhendis toodud temperatuurivahemikku. Vale või väljaspool ettenähtud temperatuurivahemikku tehtav laadimine võib akut kahjustada ja suurendada tuleohtu.
- Laske hooldustoiminguid teostada ainult kvalifitseeritud spetsialistidel, kes kasutavad originaalvaruosi. Nii tagate seadme jätkuva ohutuse.
- Ärge muutke ega proovige seadet või akukomplekti parandada, välja arvatud juhul, kui see on toodud kasutus- ja hooldusjuhendis.

Olulised ohutusjuhiseid akukassetile

- Enne akukasseti kasutamist lugege kõiki juhiseid ja ettevaatusabinõusid (1) akulaadijal, (2) akul ja (3) akut kasutaval seadmel.
- Ärge demonteerige ega muutke akukassetti omavoliliselt. See võib põhjustada tulekahju, liigset soojust või plahvatuse.
- Kui tööaeg on muutunud liialt lühikeseks, peatage töötamine kohe. See võib tekitada ülekuumenemise, võimalike põletuste ja isegi plahvatusohu.
- Kui elektroliit satub silma, loputage see veega välja ja pöörduge kohe arsti poole. See võib põhjustada nägemise kaotuse.
- Ärge lühistage akukassetti.
- (1) Ärge puudutage klemme elektrit juhtiva materjaliga.
- (2) Vältige akukasseti ladustamist koos muude metallesemetega nagu naelad, mündid jne.
- (3) Ärge laske akukassettidel puutuda kokku vee või vihmaga. Aku lühis võib põhjustada suure voolutugevuse, ülekuumenemise, võimalikke põletusi ja isegi riket.
- Ärge hoidke ega kasutage tööriista ega akukassetti kohtades, kus temperatuur võib saavutada või ületada 50 °C (122 °F).
- Ärge põletage akukassetti isegi siis, kui see on tugevalt kahjustatud või täielikult kulunud. Akukassett võib tules plahvatada.
- Ärge naelutage, löigake, purustage, visake ega kukutage akukassetti maha, samuti ärge lööge akukassetiga kõva eseme vastu. Selline käitumine võib põhjustada tulekahju, liigset soojust või plahvatuse.
- Ärge kasutage kahjustatud akut.

- Sisalduvatele liitiumioonakudele kehtivad ohtlike kaupade seadusandluse nõuded. Kaubanduslike vedude puhul, nt kolmandate osapoolte, ekspediitorite puhul, tuleb jälgida pakendamise ja märgistamise erinõudeid. Lähetatava kauba ettevalmistamiseks tuleb konsulteerida ohtlike materjalide ekspertiiga. Järgige ka üksikasjalikumaid riiklikke eeskirju. Teipige või katke kinni avatud klemmid ja pakendage aku nii, et see ei saaks pakendist liiduda.
- Akukasseti utiliiserimisel eemaldage see seadmest ja visake ohutusse kohta. Järgige aku kõrvaldamisega seotud kohalikke eeskirju.
- Kasutage akusid ainult nende toodetega, mille on määranud Makita. Akude paigaldamine nõuetele mittevastavatele toodetele võib põhjustada tulekahju, liigse kuumuse, plahvatuse või elektrilöödi lekke.
- Kui akut ei kasutata pikka aega, tuleb aku tööriistast eemaldada.
- Kasutamise ajal või pärast seda võib akukassett olla nii kuum, et põhjustab põletusi või madala temperatuuri põletusi. Olge kuumade akukassettide käsitlemisel ettevaatlik.
- Ärge puudutage tööriista klemmi kohe pärast kasutamist, kuna see võib olla piisavalt kuum, et põletusi põhjustada.
- Ärge laske akukasseti klemmidesse, avadesse ega soontesse kinni jääda kildudel, tolmul ega mullal. See võib põhjustada tööriista või akukasseti kehva jõudlust või purunemist.
- Kui tööriist ei toeta kasutamist kõrgepingeliste elektriliinide läheduses, ärge kasutage akukassetti kõrgepingeliste elektriliinide läheduses. See võib põhjustada tööriista või akukasseti talitlushäireid või purunemist.
- Hoidke aku lastest eemal.

HOIDKE SEE JUHEND ALLES.

▲ ETTEVAATUST: Kasutage ainult ehtsaid Makita akusid. Mitteehtsate Makita akude või muudetud akude kasutamine võib põhjustada aku plahvatamise, tekitades tulekahju, kehavigastusi ja kahjustusi. See tühistab ka Makita tööriista ja laadija Makita garantii.

Näpunäited aku maksimaalse tööea säilitamiseks

1. Laadige akukassetti enne selle täielikku tühjenemist. Peatage alati tööriista töö ja laadige akukassetti, kui märkate tööriista võimsuse langemist.
2. Ärge laadige kunagi täiesti täislaetud akukassetti. Ütelaadimine vähendab aku tööiga.
3. Laadige akukassetti toatemperatuuril 10 °C–40 °C (50 °F–104 °F). Laske kuumal akukassetil enne laadimist maha jahtuda.
4. Kui akukassetti ei kasutata, eemaldage see seadmest või laadijast.
5. Laadige akukassetti, kui te ei kasuta seda pika aja jooksul (enam kui kuus kuud).

FUNKTSIONAALNE KIRJELDUS

⚠ ETTEVAATUST: Enne tööriista funktsiooni reguleerimist või kontrollimist veenduge alati, et tööriist on välja lülitatud ja akukassett eemaldatud.

Akukasseti paigaldamine või eemaldamine (Fig. 1)

⚠ ETTEVAATUST: Enne akukasseti eemaldamist lülitage tööriist alati välja.

⚠ ETTEVAATUST: Hoidke akukasseti paigaldamisel või eemaldamisel tööriista ja akukassetti kindlalt. Kui te ei hoi tööriista ja akukassetti kindlalt, võib see põhjustada nende käest libisemise ning tööriista ja akukasseti kahjustamist ja kehavigastusi.

Akukasseti eemaldamiseks libistage see tööriistast välja, libistades samal ajal kasseti esiküljel olevat nuppu. Akukasseti paigaldamiseks joondage akukasseti keel korpuses oleva soonega ja libistage see kohale. Sisestage see täielikult, kuni see kohale klõpsatab. Kui näete punast indikaatorit, nagu joonisel näidatud, pole see täielikult lukustatud.

⚠ ETTEVAATUST: Paigaldage akukassett alati täielikult, kuni punast näidikut pole näha. Kui te seda ei tee, võib see kogemata tööriistast välja kukkuda, tekitades teile või kellelegi teie ümber vigastusi.

⚠ ETTEVAATUST: Ärge paigaldage akukassetti jõuga. Kui kassett ei libise lihtsalt sisse, sisestatakse seda valesti.

Aku järelejäänud mahtuvuse näitamine (Fig. 2)

Vajutage akukassetil olevat kontrollnuppu, et näidata aku järelejäänud mahtuvust. Näidiku märgutuled süttivad mõneks sekundiks.

Näidiku märgutuled			Järelejäänud mahtuvus
Süttinud	Väljas	Vilgub	
■	□	◻	
■ ■ ■ ■			75 % kuni 100 %
■ ■ ■ □			50 % kuni 75 %
■ ■ □ □			25 % kuni 50 %
■ □ □ □			0 % kuni 25 %
◻ □ □ □			Laadige akut.
■ ■ □ □	↑ ↓		Aku võib olla rikkis.

MÄRKUS: Sõltuvalt kasutustingimustest ja ümbritsevast temperatuurist, võib näidustus tegelikust mahtuvusest veidi erineda.

MÄRKUS: Esimene (kõige vasakpoolsem) märgutuli vilgub, kui akukaitsesüsteem töötab.

Valguse süütamine (Fig. 3)

⚠ ETTEVAATUST: Ärge vaadake valgust ega valgusallikat otse.

Valguse süütamiseks vajutage toitenuppu. Valguse kustutamiseks vajutage uuesti toitenuppu.

MÄRKUS: Seade lülitub sisse viimase seadistusega samal režiimil.

Režiimi valimine

Vajutage valguse põlemise ajal nuppu **MODE (REŽIIM)**, et liikuda läbi sätete **kohtvalgus, tulvavalgus** ja **kohtvalgus + tulvavalgus**.

Vilkurvalguse sisselülitamine (Fig. 4)

Vajutage ja hoidke nuppu **MODE (REŽIIM)**, kuni seade lülitub režiimile **vilkurvalgus**. Režiimi vilkurvalgus välja lülitamiseks vajutage uuesti nuppu **MODE (REŽIIM)**.

Seade / aku kaitsesüsteem

Seade on varustatud kaitsesüsteemiga, mis katkestab pika tööea säilitamiseks automaatselt väljundvõimsuse.

Ületühjenemise kaitse (Fig. 5)

Kui aku maht hakkab tühjaks saama, kustuvad LED-tuled peale ühe LED-i. Seejärel, ligikaudu viie kuni kümne minuti pärast, lülitab süsteem automaatselt toite välja.

Kaitse teiste põhjuste eest

Kaitsesüsteem on loodud ka muude põhjuste jaoks, mis võivad seadet kahjustada ja laseb seadmel automaatselt seiskuda. Kui seade on ajutiselt seisatud või seiskunud, tehke põhjuste kõrvaldamiseks kõik järgmised toimingud.

1. Lülitage seade välja ja uuesti sisse, et taaskäivitada.
2. Laadige aku(d) või asendage aku(d) laetud aku(te)ga.
3. Laske seadmel ja patareidel jahtuda.

Kui kaitsesüsteemi taastamisega parandusi ei leita, võtke ühendust kohaliku Makita hoolduskeskusega.

Pea nurk (Fig. 6)

⚠ ETTEVAATUST: Olge pea nurga muutmisel ettevaatlik, et te ei jätkaks oma sõrmi tööriista pea ja kere vahele.

Pea nurka saab reguleerida 4 etapis.

Konks (Fig. 7)

⚠ ETTEVAATUST: Olge konksu tõstmisel ettevaatlik, et te ei jätaks oma sõrmi konksu ja tööriista kere vahele.

Õlarihm (Fig. 8)

Õlarihma saab paigaldada klambritega mõlemast otsast.

⚠ ETTEVAATUST: Ärge kasutage rõngast muul otstarbel peale seadme riputamise. Vastasel korral võib tekkida kehavigastus.

HOOLDUS

⚠ ETTEVAATUST: Veenduge alati enne kontrollimist või hooldust, et tööriist on välja lülitatud ja akukassett on eemaldatud.

MÄRKUS: Ärge kasutage kunagi bensiini, vedeldit, alkoholi ega muud sarnast. Tulemuseks võib olla värvimuutus, deformatsioon või praod.

Toote OHUTUSE ja TÖÖKINDLUSE säilitamiseks peab parandused ning muud hooldus- ja kohandustööd tegema Makita volitatud või tehase teeninduskeskustes, kasutades alati Makita varuosi.

VALIKULISED TARVIKUD

⚠ ETTEVAATUST: Neid tarvikuid on soovituslik kasutada selles juhendis kirjeldatud Makita tööriistaga. Mis tahes teiste tarvikute või lisaseadmete kasutamine võib tekitada inimvigastuste ohtu. Kasutage tarvikud või lisaseadmeid ainult selleks ettenähtud otstarbel.

Kui vajate nende tarvikute kohta lisateavet, pöörduge kohaliku Makita teeninduskeskuse poole.

- Makita ehtne aku ja laadija.

MÄRKUS: Mõned loendis olevad üksused võivad standardvarustusena tööriistapaketti kuuluda. Need võivad riigiti erineda.

POLSKI (Instrukcja oryginalna)

Objaśnienie widoku ogólnego

- | | | | |
|------------------------------------|-----------------------|--------------------------------|-------------|
| 1. Kasetę akumulatorów | 5. Przycisk kontrolny | 9. Tryb punktowy + rozproszony | 13. Łącznik |
| 2. Czerwony wskaźnik | 6. Przycisk zasilania | 10. Tryb punktowy | |
| 3. Przycisk wyciągania akumulatora | 7. Przycisk MODE | 11. Hak | |
| 4. Lampki wskaźnikowe | 8. Tryb rozproszony | 12. Pasek na ramie | |

Specyfikacja

Model	ML007G
LED	Punktowy: 1 szt. / Rozproszony: 16 szt. (Stroboskopowy: 17 szt.)
Wymiary (dł. × szer. × wys.)	323 mm × 120 mm × 118 mm
Napięcie znamionowe	maks. 36 V - 40 V, prąd stały
Masa netto (bez kasety akumulatorów oraz Pasek na ramie)	0,95 kg

- Z uwagi na stale prowadzony program badawczo-rozwojowy, przedstawiona tu specyfikacja może ulec zmianie bez uprzedzenia.
- Specyfikacja może się różnić w zależności od kraju.
- To są wymiary, gdy BL4025 został zainstalowany, a głowa jest skierowana do przodu.

Zgodna kasetę akumulatorów i ładowarka

Kasetę akumulatorów	BL4020 / BL4025 / BL4040 / BL4050F / BL4080F
Ładowarka	DC40RA / DC40RB / DC40RC

- Niektóre z wymienionych powyżej kaset akumulatorów mogą być niedostępne w pewnych krajach.

⚠ OSTRZEŻENIE: Należy używać wyłącznie akumulatorów oraz ładowarek z powyższej listy. Użycie jakiegokolwiek innego akumulatora lub ładowarki może prowadzić do obrażeń i/lub pożaru.

Czas pracy

Kasetę akumulatorów	Czas pracy (przybliżony)			
	Punktowy	Rozproszony	Punktowy + Rozproszony	Stroboskopowy
BL4020	5,0 godzin	5,0 godzin	3,5 godzin	5,0 godzin
BL4025	6,5 godzin	6,5 godzin	4,5 godzin	6,5 godzin
BL4040	10 godzin	10 godzin	7,5 godzin	10 godzin
BL4050F	13 godzin	13 godzin	9,5 godzin	13 godzin
BL4080F	22 godzin	22 godzin	16 godzin	22 godzin

- Czasy pracy podane w powyższej tabeli są orientacyjne. Mogą się one różnić od rzeczywistych czasów pracy.
- Czas pracy akumulatorów może się różnić w zależności od typu akumulatorów, stanu ich naładowania oraz warunków użytkowania.
- Kasetę akumulatorów może się różnić w zależności od kraju.

Symbole

Poniżej przedstawiono symbole użyte w odniesieniu do lampy. Przed użyciem użytkownik powinien sprawdzić, czy rozumie ich znaczenie.



- Należy przeczytać instrukcję obsługi



- Tylko do użytku wewnątrz pomieszczeń



- Dotyczy tylko państw UE

Ze względu na obecność niebezpiecznych elementów w sprzęcie, zużyty sprzęt elektryczny oraz elektroniczny, akumulatory oraz baterie, mogą mieć negatywny wpływ na środowisko oraz ludzkie zdrowie. Nie wyrzucaj urządzeń elektrycznych oraz elektronicznych lub baterii razem z odpadami domowymi!

Zgodnie z Dyrektywą Europejską w sprawie zużytego sprzętu elektronicznego i elektrycznego oraz w sprawie akumulatorów i baterii, oraz zużytych akumulatorów i baterii, jak również ich dostosowania do prawa krajowego, zużyty sprzęt elektryczny powinien być przechowywany osobno i powinien zostać dostarczony do osobnego punktu zbiórki przeznaczonego dla odpadów komunalnych zgodnie z przepisami prawa o ochronie środowiska. Zostało to wskazane za pomocą symbolu przekreślonego kosza na kółkach znajdującego się na sprzęcie.



- Promieniowanie optyczne (w tym promieniowanie UV i podczerwone). Należy maksymalnie ograniczyć narażenie skóry i oczu.



- Nie należy patrzeć w stronę włączanej lampy.



- Używać odpowiedniej osłony lub ochrony oczu.



- Podjąć szczególne środki ostrożności i zachować uwagę!

OSTRZEŻENIA DOTYCZĄCE BEZPIECZEŃSTWA

WAŻNE WSKAZÓWKI DOTYCZĄCE BEZPIECZEŃSTWA

⚠ OSTRZEŻENIE: Podczas korzystania z narzędzi elektrycznych należy zawsze przestrzegać podstawowych środków ostrożności w celu zmniejszenia ryzyka pożaru, porażenia prądem elektrycznym i obrażeń ciała, w tym poniższych:

NALEŻY PRZECZYTAĆ WSZYSTKIE INSTRUKCJE.

1. Nie patrzeć w światło, nie narażać oczu na jego działanie. Może dojść do uszkodzenia oczu.
2. Nie zakrywać działającej lampy materiałami tekstylnymi ani kartonem itp. Może to doprowadzić do pożaru.
3. Urządzenie nie jest wodoodporne. Nie używać w miejscach wilgotnych lub mokrych. Nie wystawiać na działanie deszczu lub śniegu. Nie myć w wodzie.
4. Nie dotykać wnętrza urządzenia pęsetą, metalowymi narzędziami itp.
5. Gdy urządzenie nie jest używane, wyłączyć je i wyjąć z niego kasetę akumulatorów.
6. Nie narażać urządzenia na wstrząsy przez upuszczenie, uderzenie itp.
7. Informacje dotyczące bezpiecznego korzystania z przenośnych urządzeń oświetleniowych zasilanych akumulatorami.
 - Akumulatory utylizować zgodnie z lokalnymi przepisami dotyczącymi utylizacji odpadów niebezpiecznych.
 - Nie wolno spalać akumulatorów.
8. Dodatkowe informacje dotyczące urządzeń oświetleniowych.
 - Źródło światła niniejszej oprawy jest niewymienne. Gdy źródło światła osiągnie koniec żywotności, to należy wymienić całą oprawę.
9. Używanie i konserwacja narzędzia akumulatorowego.
 - **OSTRZEŻENIE:** Zapoznać się z ostrzeżeniami dotyczącymi bezpieczeństwa i instrukcjami. Niezastosowanie się do ostrzeżeń bądź instrukcji może skutkować porażeniem prądem elektrycznym, pożarem i/lub odniesieniem poważnych obrażeń.
 - Zapobiegać przypadkowemu uruchomieniu. Przed podłączeniem do kasy akumulatorów, podnoszeniem lub przenoszeniem sprawdź, czy przełącznik jest w położeniu „wyłączona”. Przenoszenie urządzenia z palcem na przełączniku lub podłączanie do zasilania urządzenia, w którym przełącznik jest w położeniu „włączona”, grozi ryzykiem wystąpienia wypadku.
 - Przed wykonaniem jakiegokolwiek regulacji, zmiany akcesoriów lub zakończeniem użytkowania lampy należy odłączyć od niej pakiet akumulatorów. Takie działania zapobiegawcze zmniejszają ryzyko przypadkowego uruchomienia lampy.
 - Do ładowania należy używać wyłącznie ładowarki wyszczególnionej przez producenta. Ładowarka, która jest odpowiednia do pakietu akumulatorów jednego typu, może stwarzać ryzyko pożaru, gdy zostanie użyta z kasetą akumulatorów innego typu.
 - Należy używać wyłącznie lamp z przeznaczonymi specjalnie do nich pakietami akumulatorów. Użycie innych pakietów akumulatorów może stwarzać ryzyko obrażeń i pożaru.
 - Gdy pakiet akumulatorów nie jest używany, należy przechowywać go z dala od innych przedmiotów metalowych, takich jak spinacze, monety, klucze, gwoździe, wkręty lub inne drobne przedmioty, które mogłyby utworzyć połączenie między biegunami. Zwieranie biegunów baterii może być przyczyną oparzeń użytkownika lub pożaru.

- W przypadku niewłaściwego obchodzenia się z akumulatorem, może dojść do wydostania się z niego płynu; należy unikać kontaktu z tym płynem. Jeśli dojdzie do przypadkowego kontaktu z płynem z akumulatora, spłukać wodą. Jeśli płyn dostanie się do oczu, zgłosić się do lekarza. Płyn, który wydostanie się z akumulatora może spowodować podrażnienie lub oparzenie.
- Nie należy używać pakietów akumulatorów lub lamp, które zostały uszkodzone lub zmodyfikowane. Uszkodzone lub zmodyfikowane akumulatory mogą zachowywać się w sposób nieprzewidywalny i spowodować pożar lub wybuch oraz stać się przyczyną obrażeń.
- Nie narażać pakietu akumulatorów lub lampy na działanie ognia lub wysokiej temperatury. Wystawienie na działanie ognia lub temperatury powyżej 130 °C (265 °F) może spowodować wybuch.
- Należy stosować się do wszystkich instrukcji ładowania i nie należy ładować pakietu akumulatorów lub urządzenia przy temperaturze wykraczającej poza zakres wyszczególniony w instrukcji. Niewłaściwe ładowanie lub ładowanie w temperaturze wykraczającej poza wyszczególniony zakres może spowodować uszkodzenie akumulatora i zwiększyć ryzyko pożaru.
- Lampa może być serwisowana tylko przez wykwalifikowanego specjalistę w zakresie napraw, który stosuje wyłącznie identyczne części zamienne. Gwarantuje to utrzymanie bezpieczeństwa pracy z produktem.
- Nie należy modyfikować ani usiłować naprawiać lampy lub pakietu akumulatorów z wyjątkiem sytuacji opisanych w instrukcji stosowania i konserwacji.

Ważne instrukcje bezpieczeństwa dotyczące pakietu akumulatorów

- Przed użyciem pakietu akumulatorów należy zapoznać się z wszystkimi instrukcjami i znakami ostrzegawczymi umieszczonymi na (1) ładowarce, (2) akumulatorze, oraz (3) lampie zasilanej akumulatorem.
- Nie wolno rozmontowywać ani modyfikować kasety akumulatorów. Może to spowodować pożar, nadmierne nagrzewanie się lub wybuch.
- Jeśli czas działania znacznie się skróci, natychmiast przerwać użytkowanie lampy. W przeciwnym razie może dojść do przegrzania, możliwych poparzeń a nawet wybuchu.
- Jeśli elektrolit dostanie się do oczu, należy przepłukać je czystą wodą i niezwłocznie zasięgnąć porady lekarskiej. Kontakt z elektrolitem może być przyczyną utraty wzroku.
- Nie powodować zwarcia w kasie akumulatorów.
 - (1) Nie dotykać biegunów żadnym materiałem przewodzącym.
 - (2) Unikać przechowywania kasety akumulatorów w pojemniku wraz z innymi metalowymi przedmiotami, takimi jak gwoździe, monety itp.
 - (3) Nie narażać kaset akumulatorów na działanie wody lub deszczu. Zwarcie akumulatorów może spowodować przepływ prądu o dużym natężeniu, przegrzanie, oparzenia a nawet awarię urządzenia.
- Nie przechowywać urządzenia i kasety akumulatorów w miejscach, w których temperatura może osiągnąć lub przekroczyć 50 °C (122 °F).
- Nie spalać kasety akumulatorów nawet, jeśli jest poważnie uszkodzona lub całkowicie zużyta. Kaseta akumulatorów wrzucona do ognia może wybuchnąć.
- Nie wolno przebiegać gwoździami, przecinać, zgniatać ani upuszczać kasety akumulatorów; nie należy jej także uderzać twardymi przedmiotami. Takie postępowanie może spowodować pożar, nadmierne nagrzewanie się lub wybuch.
- Nie należy używać akumulatora, który jest uszkodzony.

- Zastosowane w lampie akumulatory litowo-jonowe podlegają wymaganiom wynikającym z ustawy o towarach niebezpiecznych. W przypadku transportu komercyjnego, np. realizowanego przez strony trzecie, spedytorów, należy przestrzegać szczególnych wymagań dotyczących opakowania i etykietowania. Przy przygotowywaniu towaru do transportu wymagana jest konsultacja ze specjalistą ds. materiałów niebezpiecznych. Należy także stosować się do ewentualnie bardziej szczegółowych przepisów krajowych. Należy zakleić taśmą lub zabezpieczyć otwarte styki i zapakować akumulator tak, aby nie przesuwał się w opakowaniu.
- Podczas utylizacji kasety baterii, wyjmij ją z urządzenia i zutylizuj w bezpiecznym miejscu. Należy stosować się lokalnych przepisów dotyczących utylizacji akumulatorów.
- Akumulatorów należy używać wyłącznie z produktami wyszczególnionymi przez spółkę Makita. Umieszczenie akumulatorów w niezgodnych urządzeniach może być przyczyną pożaru, przegrzania się, wybuchu lub wycieku elektrolitu.
- Jeśli urządzenie ma być przez dłuższy czas nieużywane, należy wyjąć z niego akumulator.
- Podczas użytkowania i po jego zakończeniu kaseta akumulatorów może się nagrzewać, co może być przyczyną odniesienia oparzeń, w tym niskotemperaturowych. Należy zachować ostrożność podczas obchodzenia się z gorącymi akumulatorami.
- Nie wolno dotykać złączy narzędzia bezpośrednio po zakończeniu użytkowania, ponieważ mogą one być na tyle gorące, że kontakt z nimi spowoduje oparzenia.
- Uważać, aby odłamki, kurz i brud nie przykleiły się do styków, otworów lub zagłębień w kasie akumulatorów. Może to skutkować obniżeniem wydajności pracy lub awarią narzędzia bądź kasety akumulatorów.
- Nie używać kasety akumulatorów w pobliżu linii wysokiego napięcia, jeśli takie użycie nie jest dozwolone. Może to skutkować wadliwym działaniem lub awarią narzędzia bądź kasety akumulatorów.
- Przechowywać akumulatory z dala od dzieci.

NALEŻY ZACHOWAĆ TĘ INSTRUKCJĘ.

▲ OSTRZEŻENIE: Używać tylko oryginalnych akumulatorów Makita. Użytkowanie nieoryginalnych akumulatorów lub akumulatorów, które zostały zmodyfikowane, może być przyczyną ich wybuchu i w konsekwencji pożaru, obrażeń ciała użytkownika i szkód materialnych. Spowoduje także unieważnienie gwarancji Makita na urządzenie i ładowarkę Makita.

Wskazówki pozwalające na maksymalnie długą eksploatację akumulatora

1. Ładować kasę akumulatorów zanim ulegnie całkowitemu rozładowaniu. W przypadku zauważenia spadku mocy narzędzia zawsze należy je wyłączyć i naładować akumulator.
2. Nigdy nie ładować w pełni naładowanej kasety akumulatorów. Nadmierne ładowanie skraca okres eksploatacji akumulatorów.
3. Kasę akumulatorów należy ładować w temperaturze pokojowej, tj. 10 °C - 40 °C (50 °F - 104 °F). Przed rozpoczęciem ładowania akumulatora należy poczekać, dopóki nie ostygnie.
4. Gdy kaseta akumulatorów nie jest używana, wyjąć ją z narzędzia lub ładowarki.
5. Jeśli kaseta akumulatorów nie była używana przez długi czas (ponad sześć miesięcy), należy ją naładować.

OPIS FUNKCJI

⚠ OSTRZEŻENIE: Przed regulacją lub sprawdzeniem funkcji narzędzia zawsze należy upewnić się, że urządzenie jest wyłączone, a kasetę akumulatorów wyjąć.

Montaż i demontaż akumulatora (Fig. 1)

⚠ OSTRZEŻENIE: Przed wyjęciem kasety akumulatorów zawsze należy wyłączyć urządzenie.

⚠ OSTRZEŻENIE: Podczas montażu oraz demontażu kasety akumulatorów należy mocno przytrzymać narzędzie i kasetę akumulatorów. Niewłaściwe obchodzenie się z urządzeniem oraz kasetą akumulatorów może powodować ich wyszlizgnięcie się z rąk i uszkodzenia urządzenia i kasety akumulatorów oraz obrażenia ciała.

W celu wyjęcia kasety akumulatorów należy wysunąć ją z lampy, przesuwając przy tym przycisk z przodu kasety. Aby zamontować kasetę akumulatorów, należy ustawić wypustkę kasety akumulatorów w jednej linii z rowkiem w obudowie i wsunąć ją na miejsce. Włożyć ją do końca, dopóki nie zablokuje się we właściwej pozycji. Jeżeli zauważysz czerwony wskaźnik, tak jak to pokazano na rysunku, to oznacza to, że nie został on całkowicie zablokowany.

⚠ OSTRZEŻENIE: Zawsze należy wkładać kasetę akumulatora do końca, tak, aby nie było widać czerwonego wskaźnika. W przeciwnym wypadku może ona przypadkowo wypaść z narzędzia, powodując obrażenia ciała użytkownika lub osób w jego otoczeniu.

⚠ OSTRZEŻENIE: Nie należy wkładać kasety akumulatorów „na siłę”. Jeśli kasetka nie wsuwa się bez oporu, to znaczy, że jest wkładana nieprawidłowo.

Wskazanie pozostałej pojemności baterii (Fig. 2)

Nacisnąć przycisk kontrolny na kasecie akumulatora, aby uzyskać informację o stopniu wyladowania akumulatora. Lampki wskaźnikowe zapalają się na kilka sekund.

Lampki wskaźnikowe			Poziom naładowania
Podświetlenie	Wyłączone	Miganie	
			75 % do 100 %
			50 % do 75 %
			25 % do 50 %
			0 % do 25 %
			Należy naładować akumulator.
			Akumulator mógł działać nieprawidłowo.

UWAGA: W zależności od warunków użytkowania oraz temperatury, wskazywany poziom naładowania może nieco różnić się od rzeczywistego poziomu naładowania.

UWAGA: Gdy układ zabezpieczenia akumulatora działa, pierwszy (znajdujący się na końcu po lewej) wskaźnik miga.

Zapalenie światła (Fig. 3)

⚠ OSTRZEŻENIE: Nie patrzeć w światło ani bezpośrednio w źródło światła.

Nacisnąć przycisk zasilania, aby zapalić światło. Aby wyłączyć światło, należy ponownie nacisnąć przycisk zasilania.

UWAGA: Urządzenie włącza się w tym samym trybie, co poprzednio.

Wybór trybu pracy

W czasie, gdy światło jest włączone, nacisnąć przycisk **MODE**, aby przełączyć pomiędzy trybem **punktowym**, **rozproszonym** i **punktowym + rozproszonym**.

Włączanie oświetlenia stroboskopowego (Fig. 4)

Nacisnąć i przytrzymać przycisk **MODE**, aż urządzenie przełączy się w tryb **stroboskopowy**. Aby wyłączyć tryb **stroboskopowy**, wystarczy nacisnąć przycisk **MODE**.

System ochrony maszyny / akumulatora

Urządzenie jest wyposażone w system zabezpieczający, który automatycznie odcina zasilanie dla zapewnienia długiej żywotności.

Zabezpieczenie przed nadmiernym rozładowaniem (Fig. 5)

Gdy pojemność baterii spadnie do niskiego poziomu, zgasną wszystkie diody LED poza jedną. Następnie, około pięciu do dziesięciu minut później, układ automatycznie odcina dopływ zasilania.

Zabezpieczenie przed innymi przyczynami

System zabezpieczenia został również zaprojektowany w innych celach, które mogą uszkodzić urządzenie i umożliwić automatyczne zatrzymanie urządzenia.

Wykonaj wszystkie następujące kroki w celu usunięcia przyczyny, gdy urządzenie zostało tymczasowo zatrzymane lub przestało działać.

1. Wyłącz urządzenie, a następnie włącz je ponownie, aby je zrestartować.
2. Naładuj baterię/baterie lub wymień ją/je na naładowaną baterię/baterie.
3. Pozwól urządzeniu oraz baterii(iom) odpocząć. Jeżeli nie doszło do poprawy po przywróceniu systemu zabezpieczeń, to prosimy o skontaktowanie się z Twoim lokalnym Centrum Serwisowym Makita.

Kąt nachylenia głowicy (Fig. 6)

⚠ OSTRZEŻENIE: Podczas zmiany kąta nachylenia głowicy należy uważać, aby nie przytrzasnąć palców między głowicą a korpusem narzędzia.

Kąt nachylenia głowicy można ustawić w jednym z 4 położeń.

Hak (Fig. 7)

⚠ OSTRZEŻENIE: Przy podnoszeniu haka należy uważać, aby nie przytrzasnąć palców między hakiem a korpusem narzędzia.

Pasek na ramię (Fig. 8)

Pasek na ramię może być mocowany za pomocą klipsów na obu końcach.

⚠ OSTRZEŻENIE: Nie używaj pierścienia w żadnych innych celach niż wieszanie urządzenia. W przeciwnym wypadku może dojść do uszkodzenia ciała.

KONSERWACJA

⚠ OSTRZEŻENIE: Przed przystąpieniem do kontroli lub konserwacji zawsze należy upewnić się, że urządzenie jest wyłączone, a kasetka akumulatora wyjęta.

INFORMACJA: Nigdy nie używać etyliny, benzyny, rozcieńczalnika, alkoholu itp. Środki te mogą spowodować odbarwienie, deformację lub pęknięcia.

W celu zachowania BEZPIECZEŃSTWA i utrzymania NIEZAWODNOŚCI produktu, naprawy, wszelkie inne czynności konserwacyjne lub regulacje powinny być wykonywane przez autoryzowane centra serwisowe Makita lub fabryczne centra serwisowe, zawsze z wykorzystaniem części zamiennych Makita.

AKCESORIA OPCJONALNE

⚠ OSTRZEŻENIE: Te akcesoria i osprzęt są zalecane do użytku z urządzeniem Makita określonym w niniejszej instrukcji. Użycie jakichkolwiek innych akcesoriów lub osprzętu może powodować ryzyko obrażeń ciała. Akcesoria i osprzęt mogą być używane wyłącznie zgodnie z przeznaczeniem.

Jeśli potrzebna jest pomoc, w celu uzyskania szczegółowych informacji na temat tych akcesoriów, należy zwrócić się do lokalnego centrum serwisowego Makita.

- Oryginalne akumulator i ładowarka Makita.

UWAGA: W opakowaniu mogą znajdować się niektóre pozycje z listy, jako wyposażenie standardowe. Mogą się one różnić w zależności od kraju.

MAGYAR (Eredeti utasítások)

Az általános nézet magyarázata

- | | | | |
|----------------------------|------------------------|-------------------------|------------|
| 1. Akkumulátor | 5. Ellenőrzés gomb | 9. Pont + szórt üzemmód | 13. Kapocs |
| 2. Piros jelzőfény | 6. Be/ki kapcsoló gomb | 10. Pont üzemmód | |
| 3. Akkumulátor kioldó gomb | 7. MODE gomb | 11. Kampó | |
| 4. Jelzőfények | 8. Szórt üzemmód | 12. Válszj | |

MŰSZAKI ADATOK

Modell	ML007G
LED	Pont 1 db. / Szórt: 16 db. (Villogó: 17 db.)
Méreték (Ho × Szé × Ma)	323 mm × 120 mm × 118 mm
Névleges feszültség	DC 36 V - 40 V max
Nettó tömeg (akkumulátor nélkül és válszj)	0,95 kg

- Folyamatos kutatási és fejlesztési programunk következtében az útmutatóban feltüntetett adatok előzetes értesítés nélkül megváltozhatnak.
- A műszaki adatok országonként eltérhetnek.
- A méreteket BL4025-tel együtt és a fej előre nézve mérjük.

Felhasználható akkumulátortípusok és töltő

Akkumulátor	BL4020 / BL4025 / BL4040 / BL4050F / BL4080F
Töltő	DC40RA / DC40RB / DC40RC

- Előfordulhat, hogy a fent felsorolt akkumulátortípusok némelyike bizonyos térségekben nem elérhető.

⚠ FIGYELMEZTETÉS: Kizárólag a fent felsorolt akkumulátorokat és töltőket használja. Bármilyen egyéb akkumulátor és töltőberendezés használata sérülést és/vagy tüzet okozhat.

Működési idő

Akkumulátor	Működési idő (hozzávetőleges érték)			
	Pont	Szórt	Pont + szórt	Villogó
BL4020	5,0 óra	5,0 óra	3,5 óra	5,0 óra
BL4025	6,5 óra	6,5 óra	4,5 óra	6,5 óra
BL4040	10 óra	10 óra	7,5 óra	10 óra
BL4050F	13 óra	13 óra	9,5 óra	13 óra
BL4080F	22 óra	22 óra	16 óra	22 óra

- A fenti táblázatban felsorolt működési idők csak hozzávetőleges megközelítések. Különbözhetnek a tényleges működési időtől.
- A működési idő az akkumulátor típusától és töltöttségi állapotától, valamint a felhasználási módtól függően eltérhet.
- Az akkumulátor országonként változhat.

Szimbólumok

Az alábbiakban a készülékkel kapcsolatban használatos szimbólumokat ismertetjük. Használat előtt sajátítsa el a következő szimbólumok jelentéseit.



- Olvassa végig a Használati útmutatót.



- Kizárólag beltéri használatra



- Kizárólag Európai Unión belüli felhasználás vonatkozásában

A berendezésben a veszélyes alkatrészek jelenléte miatt, az elektromos és elektronikus berendezések hulladéka, az akkumulátorok hulladéka negatív hatással lehetnek a környezetre és az emberi egészségre.

Ne dobja ki az elektromos és elektronikus készülékeket vagy akkumulátorokat háztartási hulladékkal!

Az elektromos és elektronikus berendezések hulladékaikról, valamint az elemekről és akkumulátorokról, valamint a hulladékelemekről és -akkumulátorokról szóló európai irányelvekkel összhangban, valamint a nemzeti joghoz való igazásuk szerint, és a környezetvédelmi előírásoknak megfelelően az elektromos berendezések hulladékaikat, az elemek és akkumulátorok hulladékaikat külön kell tárolni, és elkülönített gyűjtőhelyére kell szállítani a hulladékat. Ezt jelzi a berendezésre helyezett áttért kerek tartály szimbóluma.



- Optikai sugárzás (ultraibolya és infravörös sugárzás).

A szem vagy a bőr kitétsége minimális szintűre csökkentendő.



- Soha ne nézzen a bekapcsolt lámpa fénysugarába!



- Használjon megfelelő árnyékolást vagy szemvédő eszközt.



- Különös gondosságot és figyelmet igényel!

BIZTONSÁGI FIGYELMEZTETÉSEK

FONTOS BIZTONSÁGI ELŐÍRÁSOK

▲ FIGYELMEZTETÉS: Az elektromos készülékek használata során mindig kövesse az alapvető biztonsági óvintézkedéseket, hogy elkerülje a tűz, áramütés és személyi sérülés kockázatát, beleértve a következőket is:

OLVASSA VÉGIG A BIZTONSÁGI ELŐÍRÁSOKAT.

1. Ne nézzen a lámpába vagy irányítsa a fényt a szemére. Megsérülhet a szeme.
2. Ne takarja le a bekapcsolt lámpát ruhadarabbal, kartonpapírral stb.! Ellenkező esetben lángra kaphat.
3. A készülék nem vízálló. Ne használja nedves vagy nyirkos környezetben. Ne tegye ki eső vagy hó hatásának. Ne mossa le vízzel.
4. Csipesszel, fém szerszámmal stb. ne nyúljon a készülék belsejébe.
5. Ha nem használja, mindig kapcsolja ki a készüléket, és vegye ki az akkumulátort a készülékből.
6. Óvja a készüléket a fizikai behatásoktól, pl. ne ejtse le, ne üsse neki semminek stb.
7. Biztonsági információ az akkumulátoros, hordozható fényforrásokhoz.
 - Az akkumulátorok ártalmatlanítását minden esetben a helyi előírásoknak megfelelően végezze, amelyek tartalmazzák a veszélyes anyagokra vonatkozó utasításokat is.
 - Az akkumulátorokat ne dobja tűzbe.
8. Fényforrásokkal kapcsolatos egyéb információk.
 - Ennek a lámpának a fényforrása nem cserélhető; amikor a fényforrás eléri élettartamának végét, az egész lámpát ki kell cserélni.
9. Akkumulátoros készülék használata és ápolása.
 - **FIGYELMEZTETÉS:** Olvassa el a biztonsági figyelmeztetéseket és előírásokat. Amennyiben a közölt figyelmeztetéseket és előírásokat nem tartja be, áramütést szenvedhet, illetve tüzet és/vagy súlyos sérülést okozhat.
 - Gondoskodjon a véletlenszerű bekapcsolással szembeni védelemről. Az akkumulátortelep csatlakoztatása, és a készülék felemelése vagy áthelyezése előtt győződjön meg róla, hogy Off (Ki) helyzetbe állította a kapcsolót. A készülék kapcsolóra helyezett ujjal történő hordozása, vagy bekapcsolt kapcsolóval való feszültség alá helyezése balesetet okozhat.
 - A beállítások elvégzése, a kiegészítők kicserélése vagy a készülék tárolása előtt válassza le az akkumulátortelepet a készülékről. Az ilyen, megelőző jellegű biztonsági intézkedések csökkentik a készülék véletlenszerű bekapcsolásának kockázatát.
 - Kizárólag a gyártó által megadott töltővel végezze el a feltöltést. Az egyes akkumulátortelepek töltésére alkalmas töltő tűzveszélyt okozhat, ha azt eltérő típusú akkumulátortelep feltöltésére használják.
 - A készüléket kizárólag előírt típusú akkumulátorteleppel használja. Bármilyen egyéb akkumulátortelep használata sérülés- és tűzveszélyt okozhat.
 - Tartsa távol a használaton kívüli akkumulátortelepet más fémtárgyaktól, például gemkapcsoktól, érméktől, kulcsoktól, szövegtől, csavaroktól vagy az egyes csatlakozók közötti kapcsolat létrehozására alkalmas, próbált méretű egyéb fémtárgyaktól. Az akkumulátortelepek rövidre zárasa égési sérülést vagy tüzet okozhat.

- Nem megfelelő körülmények között folyadék áramolhat ki az akkumulátorból; kerülje az azzal való érintkezést. Véletlenszerű érintkezés esetén öblítse le vízzel. Ha a folyadék szembe kerül, haladéktalanul forduljon orvoshoz. Az akkumulátorból kilépő folyadék irritációt vagy égési sérülést okozhat.
- Ne használjon sérült vagy módosított akkumulátortelepelt, illetve készüléket! A sérült vagy módosított akkumulátorok működése kiszámíthatatlanná válhat, ami tüzet, robbanást vagy sérülést okozhat.
- Ne tegye ki az akkumulátortelepelt, illetve a készüléket tűz vagy túlságosan nagy hőmérséklet hatásának! A tűznek vagy 130 °C (265 °F) feletti hőmérsékletnek való kitettség robbanást okozhat.
- Maradéktalanul tartsa be a töltéssel kapcsolatos előírásokat, és ne töltsen az akkumulátortelepelt vagy a készüléket a megadott hőmérsékleti tartományon kívül. A szakszerűtlen vagy a megadott hőmérsékleti tartományon kívüli töltés károsíthatja az akkumulátort, és fokozhatja a tűzveszélyt.
- A készülék szerelése kizárólag szakképzett szerelővel és az eredeti alkatrészekkel megegyező pótalkatrészek felhasználásával végezhető el. Így módon garantálható a készülék további biztonságos használata.
- Az útmutatónak a készülék használatával és gondozásával kapcsolatos előírásainál feltüntetettken kívül semmilyen egyéb módosítást vagy javítást ne végezzen a készüléken, illetve az akkumulátortelepen!

Akkumulátorral kapcsolatos fontos biztonsági előírások

- **Az akkumulátor használata előtt olvassa el az (1) akkumulátortöltőn, az (2) akkumulátoron és az (3) akkumulátorral működethető terméken feltüntetett utasításokat és figyelmeztető jelzéseket.**
- Ne szerelje szét vagy alakítsa át az akkumulátort! Ellenkező esetben tűz, erős hőfejlesztés vagy robbanás keletkezhet.
- A működési idő túlságosan nagymértékű lerövidülése esetén haladéktalanul hagyjon fel az érintett akkumulátor használatával. Ellenkező esetben túlmelegedhet az eszköz, égési sérüléseket szenvedhet, vagy akár robbanás történhet.
- Ha az elektrolit a szemébe kerül, öblítse ki tiszta vízzel, és haladéktalanul forduljon orvoshoz. Ellenkező esetben akár a látását is elveszítheti.
- **Ne zárja rövidre az akkumulátort!**
- (1) **Soha ne érintse meg a csatlakozókat feszültség vezetésére alkalmas anyagokkal!**
- (2) **Ne tárolja az akkumulátort egyéb fémtárgyakat, mint például szöveket, érméket stb. is tartalmazó tárolóeszközben!**
- (3) **Ne tegye ki az akkumulátort víz vagy eső hatásának!** Az akkumulátor rövidzárlata jelentős mértékű áramerősséget, túlmelegedést, esetleges égési sérüléseket és akár meghibásodást is okozhat.
- Ne tárolja és használja a készüléket, illetve az akkumulátort olyan helyen, ahol a hőmérséklet elérheti vagy meghaladhatja az 50 °C-ot (122 °F).
- Az akkumulátort még abban az esetben se égesse el, ha azt komoly kár érte vagy teljes mértékben elhasználódott! Tűz hatására az akkumulátor felrobbanhat.
- **Ne szűrje át, hasítsa fel, zúzza össze, dobálja vagy ejtse le az akkumulátort, illetve ne üsse neki kemény tárgyakkal. Ellenkező esetben tűz, erős hőfejlesztés vagy robbanás keletkezhet.**
- **Ne használjon sérült akkumulátort!**

- A lítium-ion tartalmú akkumulátorok a veszélyes árukat szabályozó nemzetközi jogszabályok hatálya alá tartoznak. Kereskedelmi célú – például harmadik felek vagy szállítmányozók általi – szállítás esetén a csomagolásra és a címkézésre vonatkozó különleges követelmények is betartandók. A szállítandó árucikk szakszerű előkészítése érdekében szállítás előtt egyeztessen veszélyes anyagokkal foglalkozó szakemberrel. Ezenkívül az általában részletesebb szabályozást nyújtó állami jogszabályi rendelkezések is figyelembeveendőek. Ragassza le vagy fedje le a nyitott érintkezőket, és ügy csomagolja be az akkumulátort, hogy az ne mozdulhasson el a csomagoláson belül.
- **Az akkumulátor-patron ártalmatlanításakor vegye ki a patronát a készülékből, és dobja ki egy biztonságos helyre.** Kövesse az akkumulátor ártalmatlanítására vonatkozó helyi előírásokat.
- Az akkumulátorokat kizárólag a Makita által meghatározott termékekben használja fel. Az akkumulátorok nem megfelelő termékekbe történő behelyezése és használata tüzet, túlzott mértékű hőképződést, robbanást vagy elektrolitszivárgást okozhat.
- Ha előreláthatólag hosszabb ideig nem használja majd a készüléket, távolítsa el belőle az akkumulátort.
- **Használat közben és után az akkumulátor hőt bocsáthat ki, ami égési sérüléseket vagy alacsony hőmérsékletű égési sérüléseket okozhat. Legyen óvatos, ha a még meleg akkumulátort kezeli.**
- **Használat után ne érintse meg a készülék érintkezőjét, mivel az meleg lehet és égési sérülést okozhat.**
- **Ügyeljen arra, hogy az akkumulátor érintkezőin, nyílásaiban és hornyjaiban ne halmozódjon fel forgács, por vagy egyéb szennyeződés. Ez az eszköz vagy az akkumulátor teljesítménycsökkenését, vagy meghibásodását okozhatja.**
- **Ha az eszköz nem támogatja a nagyfeszültségű távvezetékek közelében történő használatot, ne használja az akkumulátort nagyfeszültségű távvezetékek közelében. Ez az eszköz vagy az akkumulátor meghibásodását okozhatja.**
- **Az akkumulátort tartsa távol gyermekektől.**

ŐRIZZE MEG A JELEN ÚTMUTATÓT.

▲ FIGYELEM: Kizárólag eredeti Makita akkumulátorokat használjon. A Makitától eltérő gyártmányú, vagy átalakított akkumulátorok használata esetén robbanás keletkezhet, ami tüzet, személyi sérüléseket és károkat okozhat. Ezen túlmenően a Makita gyártmányú készülékre és töltőre vonatkozó Makita garancia érvénytelenné válását is maga után vonja.

Tanácsok az akkumulátor élettartamának meghosszabbításához

1. Töltse fel az akkumulátort, mielőtt az teljesen lemerülne. Soha ne működtesse tovább a készüléket és mindig töltsen fel az akkumulátort, ha a készülék teljesítményének csökkenését észleli.
2. Soha ne töltsen az akkumulátort, ha azt teljes mértékben feltöltötték!
A túltöltés lerövidíti az akkumulátor hasznos élettartamát.
3. 10 °C és 40 °C (50 °F és 104 °F) közötti szobahőmérsékleten végezze el az akkumulátor feltöltését. Ha az akkumulátor felforrósodott, a töltése előtt várja meg, amíg az megfelelően lehűl.
4. Ha nem használja az akkumulátort, vegye ki az készülékből vagy a töltőből.
5. Ha előreláthatólag huzamosabb (hat hónapnál hosszabb) ideig nem használja majd a készüléket, töltsen fel az akkumulátort.

A KÉSZÜLÉK MŰKÖDÉSE ÉS FUNKCIÓI

▲ FIGYELEM: A készülék beállítása vagy működésének ellenőrzése előtt mindig győződjön meg arról, hogy kikapcsolta azt, és eltávolította az akkumulátort.

Az akkumulátor behelyezése vagy eltávolítása (Fig. 1)

▲ FIGYELEM: Az akkumulátor eltávolítása előtt mindig kapcsolja ki a készüléket.

▲ FIGYELEM: Az akkumulátor behelyezése vagy eltávolítása előtt a készüléket és az akkumulátort mindig tartsa erősen. Ha nem tartja a készüléket és az akkumulátort erősen az kicsúszhat a kezéből, és ez a készülék és az akkumulátor sérüléséhez, valamint személyi sérüléshez vezethet.

Az eltávolításához csúsztassa ki a készülékből az akkumulátort, és közben az akkumulátor elülső részén található gombot is csúsztassa el. Az akkumulátor behelyezéséhez helyezze az akkumulátort a burkolaton található horonnyal egy vonalba, és csúsztassa a helyére. Teljes mértékben illeszse be, amíg egy kattintással a helyére nem rögzül. Ha meglátja a piros kijelzőt az ábrán látható módon, azt jelenti, hogy nincs teljesen rögzítve.

▲ FIGYELEM: Az akkumulátor akkor van helyesen behelyezve, ha a piros jelzőfény már nem látható. Ennek hiányában véletlenül kieshet a készülékből, amely az Ön vagy az Ön közelében lévő személyek sérülését okozhatja.

▲ FIGYELEM: Ne fejtse ki túlzott mértékű erőhatást az akkumulátor behelyezésekor! Ha az akkumulátor nem csúszik be könnyedén a helyére, akkor azt helytelen módon helyezték be.

Az akkumulátor fennmaradó töltöttségi állapotának kijelzése (Fig. 2)

Az akkumulátor töltöttségi állapotának ellenőrzéséhez nyomja meg az akkumulátoron található Ellenőrzés gombot. A jelzőfények néhány másodpercre felvillannak.

Jelzőfények			Töltöttségi állapot
Világít	Kialszik	Villog	
■	□	▣	
■ ■ ■ ■			75 % - 100 %
■ ■ ■ □			50 % - 75 %
■ ■ □ □			25 % - 50 %
■ □ □ □			0 % - 25 %
▣ □ □ □			Töltse fel az akkumulátort.
■ ■ □ □	↑ ↓		Meghibásodott az akkumulátor.
□ □ ■ ■			

MEGJEGYZÉS: A felhasználási körülményektől és a környezeti hőmérséklettől függően a kijelzés kissé eltérhet a töltöttség tényleges állapotától.

MEGJEGYZÉS: Az első (bal szélső) jelzőfény villog, amikor az akkumulátorvédő rendszer bekapcsol.

A lámpa felkapcsolása (Fig. 3)

▲ FIGYELEM: Ne nézzen a lámpába vagy közvetlenül a fényforrásba.

A lámpa felkapcsolásához nyomja meg a bekapcsoló gombot. A lámpa lekapcsolásához nyomja meg ismét a bekapcsoló gombot.

MEGJEGYZÉS: A készülék az utolsó beállításnak megfelelő üzemmódban kapcsol be.

Üzem mód kiválasztása

Amíg világít, a **pont, szórt** és **pont + szórt** beállítások közötti váltáshoz nyomja meg az **MODE** gombot.

A villogó fény bekapcsolása (Fig. 4)

Nyomja meg és tartsa nyomva a **MODE** gombot addig, amíg a készülék **villogó** üzemmódba kapcsol. A **villogó** üzemmód kikapcsolásához egyszerűen nyomja meg a **MODE** gombot.

Készülék / akkumulátor-védő rendszer

A készülék védelmi rendszerrel van felszerelve, amely a hosszú élettartam érdekében automatikusan kikapcsolja a kimenő teljesítményt.

Túlterhelés elleni védelem (Fig. 5)

Amikor az akkumulátor kapacitása alacsony lesz, a LED-es lámpák kialszanak, kivéve az egyik LED-et. Körülbelül öt-tíz perccel később a rendszer automatikusan leválasztja a tápellátást.

Védelem más okok ellen

A védelmi rendszert más okokra is tervezték, amelyek károsíthatják a készüléket, és lehetővé teszik a készülék automatikus leállítását. Tegye az alábbi lépéseket az okok tisztázásának érdekében, ha a készüléket ideiglenesen leállították vagy működés közben leáll a készülék.

1. Kapcsolja ki a készüléket, majd kapcsolja be megegyezően az újraindításhoz.
2. Töltse fel az akkumulátor(oka)t, vagy cserélje ki újratöltött akkumulátorokkal.
3. Hagyja lehűlni a készüléket és az akkumulátort. Ha nem javul a védelmi rendszer visszaállításával, forduljon a helyi Makita szerviz-központoz.

A fej szög (Fig. 6)

▲ FIGYELEM: A fej szögének változtatásakor vigyázzon, hogy ne csipje be az ujját a fej és a készüléktest közé.

A fej szögét 4 fokozatban állíthatja be.

Kampó (Fig. 7)

⚠ FIGYELEM: A kampó felemelésekor vigyázzon, hogy ne csipje be az ujját a kampó és a készüléktest közé.

Vállpánt (Fig. 8)

A vállpántot a két végén a csipeszek segítségével erősítheti fel.

⚠ FIGYELEM: Ne használja a gyűrűt más célra, kizárólag a készülék felakasztásának célra. Ellenkező esetben személyi sérülés előfordulhat.

KARBANTARTÁS

⚠ FIGYELEM: Ellenőrzés vagy karbantartás előtt mindig győződjön meg arról, hogy kikapcsolta a készüléket és eltávolította az akkumulátort.

ÉRTESÍTÉS: Soha ne használjon benzint, hígítót, alkoholt vagy más hasonló szert! Ellenkező esetben elszíneződések, alakváltozások vagy repedések következhetnek be.

A termék BIZTONSÁGÁNAK és MEGBÍZHATÓSÁGÁNAK fenntartása érdekében a javítást, bármely egyéb karbantartást vagy beállítást a Makita által felhatalmazott vagy gyári szervizközpontnak kell végrehajtania Makita cserealkatrészek használata mellett.

KÜLÖN MEGVÁSÁROLHATÓ KIEGÉSZÍTŐK

⚠ FIGYELEM: Javasoljuk, hogy a tartozékokat vagy kiegészítőket a jelen útmutatóban meghatározott Makita készülékhez használja. Bármilyen egyéb kiegészítő vagy tartozék használata személyi sérülést okozhat. A kiegészítők, illetve tartozékok kizárólag rendeltetésszerűen használhatók.

Ha a tartozékokkal kapcsolatban további információra van szüksége, forduljon a helyi Makita szervizközponthoz.

- Eredeti Makita akkumulátor és töltő.

MEGJEGYZÉS: A listában felsorolt néhány tétel a készülék csomagjában szabványos tartozékként fordulhat elő. A készülékhez mellékelt tartozékok országonként eltérhetnek.

SLOVENČINA (Originalna navodila)

Vysvetlivky k celkovému pohľadu

- | | | | |
|-------------------------------|----------------------|--------------------------------|----------|
| 1. Kazeta s batériou | 5. Tlačidlo kontroly | 9. Režim reflektor + svetlomet | 13. Klip |
| 2. Červený indikátor | 6. Vypínač | 10. Režim bodový reflektor | |
| 3. Tlačidlo uvoľnenia batérie | 7. Tlačidlo REŽIM | 11. Háčik | |
| 4. Svetlá indikátora | 8. Režim svetlomet | 12. Ramienko | |

TECHNICKÉ ÚDAJE

Model	ML007G
LED	Bodový reflektor: 1 ks / Svetlomet 16 kusov (Stroboskop: 17 kusov)
Rozmery (D × Š × V)	323 mm × 120 mm × 118 mm
Menovité napätie	Priamy prúd 36 V - 40 V max
hmotnosť netto (bez kazety s batériou a popruh na rameno)	0,95 kg

- Vďaka nášmu nepretržitému programu výskumu a vývoja sa technické údaje uvedené v tomto návode môžu bez predchádzajúceho upozornenia zmeniť.
- Technické údaje sa v jednotlivých krajinách môžu líšiť.
- Rozmery sú s BL4025 a s hlavou smerom dopredu.

Vhodná kazeta s batériou a nabíjačka

Kazeta s batériou	BL4020 / BL4025 / BL4040 / BL4050F / BL4080F
Nabíjačka	DC40RA / DC40RB / DC40RC

- Niektoré kazety s batériou uvedené vyššie nemusia byť dostupné, v závislosti od vášho regiónu.

⚠ UPOZORNENIE: Používajte iba kazetu s batériou a nabíjačky uvedené vyššie. Použitie iných kaziet s batériou a nabíjačiek môže spôsobiť zranenie a/alebo požiar.

Prevádzková doba

Kazeta s batériou	Prevádzková doba (približne)			
	Bodový reflektor	Svetlomet	Reflektor + svetlomet	Stroboskop
BL4020	5,0 hodiny	5,0 hodiny	3,5 hodiny	5,0 hodiny
BL4025	6,5 hodiny	6,5 hodiny	4,5 hodiny	6,5 hodiny
BL4040	10 hodiny	10 hodiny	7,5 hodiny	10 hodiny
BL4050F	13 hodiny	13 hodiny	9,5 hodiny	13 hodiny
BL4080F	22 hodiny	22 hodiny	16 hodiny	22 hodiny

- V tabuľke sú uvedené hrubé odhady prevádzkovej doby. Skutočná prevádzková doba môže byť iná.
- Prevádzková doba sa môže líšiť podľa typu batérie, stavu nabíjania a prevádzkových podmienok.
- Kazeta s batériou môže byť v jednotlivých krajinách iná.

Symbols

Nasledujúci zoznam obsahuje symboly použité na prístroji. Pred použitím sa uistite, že rozumiete významu symbolov.



- Prečítajte si návod na použitie



- Iba na použitie v interiéri



- Iba pre krajiny EÚ
Kvôli prítomnosti nebezpečných komponentov v zariadení môže odpad z elektrických a elektronických zariadení, akumulátorov a batérií negatívny vplyv na životné prostredie a ľudské zdravie. Elektrické a elektronické zariadenia alebo batérie neodhadzujte do domového odpadu! V súlade s európskou smernicou o odpade z elektrických a elektronických zariadení a akumulátorov a batérií a odpadových akumulátorov a batérií, ako aj s ich prispôbením vnútroštátnym právnym predpisom, by sa použité elektrické zariadenia, batérie a akumulátory mali skladovať oddelene a odovzdať na samostatnom zbernom mieste pre komunálny odpad, spracovať v súlade s predpismi o ochrane životného prostredia. To je naznačené symbolom preškrtnutej smetnej nádoby na kolieskach umiestneným na zariadení.



- Optické žiarenie (UV a IR).
Obmedzte vystavenie očí a pokožky.



- Nehľadte do zapnutej lampy.



- Používajte vhodný štít alebo ochranu zraku.



- Dávajte si pozor!

BEZPEČNOSTNÉ UPOZORNENIA

DÔLEŽITÉ BEZPEČNOSTNÉ POKYNY

! UPOZORNENIE: Pri používaní elektrického náradia vždy dodržiavajte základné bezpečnostné opatrenia, aby sa riziko požiaru, elektrického šoku a zranení osôb znížilo na minimum, a to vrátane:

PREČÍTAJTE SI VŠETKY POKYNY.

1. Nepozerajte sa priamo do svetla a nevystavujte oči svetlu. Mohlo by dôjsť k poškodeniu zraku.
2. Lampu počas prevádzky neprikrývajte textíliami, kartónom a pod. Môže to spôsobiť vznietenie.
3. Prístroj nie je vodotesný. Nepoužívajte ho na vlhkých miestach. Nevystavujte prístroj dažďu ani snehu. Nikdy ho neumývajte vodou.
4. Nedotýkajte sa vnútra prístroja pinzetou, kovovými nástrojmi a pod.
5. Keď sa prístroj nepoužíva, vždy ho vypnite a odpojte kazetu s batériou.
6. Nespôsobuje prístroj šok tým, že vám vypadne alebo že doňho udriete.
7. Bezpečnostné informácie k prenosným svetidlám s batériami.
 - Batéria sa musí likvidovať v súlade s miestnymi predpismi, ktoré sa zaoberajú likvidáciou nebezpečných materiálov.
 - Batérie nespálujte.
8. Doplnujúce informácie k svetidlám.
 - Svetelný zdroj tohto svetidla nie je vymeniteľný; keď svetelný zdroj dosiahne koniec svojej životnosti, musí sa vymeniť celé svetidlo.
9. Používanie a starostlivosť o zariadenie na batérie.
 - **UPOZORNENIE:** Prečítajte si všetky bezpečnostné upozornenia a pokyny. Nedodržanie upozornení a pokynov môže viesť k zásahu elektrickým prúdom, požiaru a/alebo vážnemu úrazu.
 - Bráňte neúmyselnému spusteniu prístroja. Pred pripojením kazety s batériou, zdvíhaním alebo prenášaním prístroja sa uistite, že vypínač je v polohe vypnuté. Prenášanie prístroja s prstom na vypínači alebo pripojenie zapnutého prístroja k zdroju napájania zvyšuje pravdepodobnosť nehôd.
 - Pred akýmkoľvek úpravami, výmenou príslušenstva alebo uskladnením prístroja odpojte batérie. Tieto preventívne bezpečnostné opatrenia znižujú riziko neúmyselného zapnutia prístroja.
 - Batérie nabíjajte iba pomocou nabíjačky predpísane výrobcom. Nabíjačka, ktorá je vhodná pre jeden typ batérií, môže pri použití s iným typom batérií spôsobiť riziko požiaru.
 - Prístroj používajte iba s batériami na to určenými. Použitie iných batérií môže spôsobiť riziko zranenia alebo požiaru.
 - Keď sa batérie nepoužívajú, držte ich v dostatočnej vzdialenosti od iných kovových predmetov ako sú sponky na papier, mince, kľúče, klince a ďalšie drobné kovové predmety, ktoré môžu vytvoriť prepojenie pólov batérie. Skrat na póloch batérie môže spôsobiť spálenie alebo požiar.

- Pri nevhodných podmienkach môže z batérie vyteciť tekutina. Vyhnajte sa kontaktu s ňou. Ak náhodou dôjde ku kontaktu, vymyte postihnuté miesto vodou. Ak sa tekutina dostane do očí, vyhľadajte lekársku pomoc. Tekutina vytečená z batérie môže spôsobiť podráždenie alebo popálenie.
- Nepoužívajte poškodené ani upravované batérie a prístroj. Poškodené alebo upravované batérie sa môžu chovať nepredvídateľne a spôsobiť požiar, výbuch alebo riziko zranenia.
- Batérie ani prístroj nevystavujte ohňu ani vysokým teplotám. Vystavenie ohňu alebo teplotám nad 130 °C (265 °F) môže spôsobiť výbuch.
- Dodržiavajte pokyny na nabíjanie a batériu ani prístroj nenabíjajte mimo rozsah teplôt uvedený v návode.
- Nesprávne nabíjanie alebo mimo uvedený rozsah teplôt môže poškodiť batériu a zvýšiť riziko požiaru.
- Údržbu prístroja musí vykonávať kvalifikovaný odborník s použitím identických náhradných dielov. Tým sa zaistí bezpečnosť prístroja.
- Prístroj ani batérie neupravujte a nepokúšajte sa ich opravovať inak, než spôsobom uvedeným v návode na použitie a starostlivosť.
- Litium-iónové batérie podliehajú požiadavkám zákonov o nebezpečných predmetoch. Pri komerčnej preprave, napr. tretími osobami a dopravcami je nutné dodržiavať špeciálne požiadavky na balenie a označovanie. Prípravu batérie na prepravu konzultujte s odborníkom na nebezpečné materiály. Dodržiavajte aj miestne predpisy, ktoré môžu byť prísnejšie. Voľné kontakty zalepte páskou alebo inak zaslepte a batériu zabaľte tak, aby sa vnútri balenia nemohla pohybovať.
- Pri likvidácii akumulátorovej kazety ju vyberte zo zariadenia a zlikvidujte na bezpečnom mieste. Postupujte podľa miestnych predpisov o likvidácii batérii.
- Batérie používajte iba vo výrobkoch určených spoločnosťou Makita. Inštalácia batérii do nevhodných produktov môže spôsobiť požiar, prehrievanie, výbuch alebo únik elektrolytu.
- Ak sa prístroj dlhšiu dobu nepoužíva, batériu z neho odstráňte.
- Počas aj po používaní môže kazeta s batériou naberať teplo, čo môže spôsobiť popáleniny alebo poranenia nízkymi teplotami. Pri manipulácii s horúcou kazetou s batériou buďte ostražití.
- Pólou prístroja sa nedotýkajte bezprostredne po používaní, pretože môžu byť dostatočne horúce na spôsobenie popálenín.
- Úlomky, prach ani zem nenechajte uviaznuť na póloch, v otvoroch a drážkach kazety s batériou. Môže to viesť k nedostatočnému výkonu alebo pokazeniu prístroja alebo kazety s batériou.
- Pokiaľ prístroj nepodporuje používanie v blízkosti elektrického vedenia s vysokým napätím, kazetu s batériou nepoužívajte v blízkosti elektrického vedenia s vysokým napätím. Môže to viesť k zlému fungovaniu alebo pokazeniu prístroja alebo kazety s batériou.
- Batériu držte mimo dosahu detí.

Dôležité bezpečnostné pokyny pre kazetu s batériou

- Pred použitím kazety s batériou si prečítajte všetky pokyny a výstražné značky na (1) nabíjačke batérie, (2) batérii a (3) produkte, ktorý batériu používa.
- Kazetu s batériou nerozoberajte ani s ňou nemanipulujte. Môže to spôsobiť požiar, nadmerné teplo alebo explóziu.
- Ak sa prevádzková doba výrazne skrátila, okamžite zastavte prevádzku. Môže to viesť k riziku prehriatia, možným spáleninám a dokonca výbuchu.
- Ak sa vám do očí dostane elektrolyt, vypláchnite ich čistou vodou a okamžite vyhľadajte lekársku pomoc. Môže to viesť k strate zraku.
- Nespôsobujte na kazete s batériou skrat.
- (1) Nedotýkajte sa pólov vodivým materiálom.
- (2) Neskladujte kazetu s batériou v nádobe s ďalšími kovovými predmetmi ako sú klynce, mince a pod.
- (3) Nevystavujte kazetu s batériou vode alebo dažďu. Skrat na batérii môže spôsobiť zvýšenie toku prúdu, prehriatie, spáleniny a dokonca poruchu prístroja.
- Prístroj ani kazetu s batériou neskladujte a nepoužívajte na miestach, kde teplota môže dosiahnuť alebo prekročiť 50 °C (122 °F).
- Kazetu s batériou nespálujte, ani ak je vážne poškodená alebo ak je úplne nepoužitelná. Kazeta s batériou môže v ohni explodovať.
- Kazetu s batériou nepribíjajte, nedrvte, nehádzte, nezhadzujte ani ňou neudierajte o tvrdý predmet. Takéto konanie môže spôsobiť požiar, nadmerné teplo alebo explóziu.
- Poškodenú batériu nepoužívajte.

TIETO POKYNY USCHOVAJTE.

⚠ POZOR: Používajte iba pôvodné batérie Makita. Použitie iných ako pôvodných batérii Matika alebo upravovaných batérii môže viesť k prasknutiu batérie, požiaru, zraneniu osôb a iným škodám. Zruší to tiež platnosť záruky Makita poskytovanej spoločnosťou Makita na prístroj a nabíjačku Makita.

Tipy na zaručenie čo najdlhšej životnosti batérie.

1. Kazetu s batériou nabíjajte skôr, ako so úplne vybijte. Keď si všimnete, že prístroj má menej energie, okamžite ho vypnite a batériu nabíte.
2. Nikdy nenabíjajte plne nabitú batériu. Prílišné nabíjanie skracuje životnosť batérie.
3. Kazetu s batériou nabíjajte pri izbovej teplote 10 °C - 40 °C (50 °F - 104 °F). Horúcu kazetu s batériou nechajte pred nabíjaním schladieť.
4. Ak kazetu s batériou nepoužívajte, odpojte ju z nástroja alebo nabíjačky.
5. Kazetu s batériou nabíte, ak ste ju dlhšie nepoužívali (viac ako 6 mesiacov).

FUNKČNÝ OPIS

⚠ POZOR: Pred úpravami alebo kontrolou funkcií prístroja sa vždy uistite, že je vypnutý, odpojený od napájania, a že je vyťahnutá kazeta s batériou.

Inštalácia alebo odstránenie kazety s batériou (Fig. 1)

⚠ POZOR: Pred demontážou batérie a kazety zariadenie vždy vypnite.

⚠ POZOR: Pri inštalovaní alebo odstraňovaní kazety s batériou prístroj i kazetu pevne držte. Ak ich nebudete pevne držať, môžu sa vám vyšmyknúť z rúk a poškodiť sa, ako aj spôsobiť zranenie osôb.

Ak chcete kazetu s batériou odstrániť, vysuňte ju z prístroja a zároveň posúvajte tlačidlo na prednej strane kazety. Pri inštalácii kazety s batériou nastavte jazýček na kazete tak, aby bol zároveň s príslušnou drážkou, a zasuňte ju na miesto. Zasuňte ju až na doraz, kým s kliknutím nazapadne na miesto. Ak vidíte červený indikátor, ako je znázornený na obrázku, nie je úplne uzamknutý.

⚠ POZOR: Kazetu s batériou vždy inštalujte úplne tak, aby ste nevideli červený indikátor. Ak to neurobite, môže z prístroja vypadnúť a spôsobiť zranenie vám alebo osobám v okolí.

⚠ POZOR: Kazetu s batériou neinštalujte nasilu. Ak sa kazeta nezasúva ľahko, znamená to, že ju neinštalujte správne.

Indikátor zvyšnej kapacity batérie (Fig. 2)

Stlačte tlačidlo kontroly na kazete s batériou, aby sa zobrazila zvyšná kapacita. Svetlá indikátora sa na niekoľko sekúnd rozsvietia.

Svetlá indikátora			Zvyšná kapacita
Svieti	Nesvieti	Bliká	
■	□	◻	
■ ■ ■ ■			75 % až 100 %
■ ■ ■ □			50 % až 75 %
■ ■ □ □			25 % až 50 %
■ □ □ □			0 % až 25 %
◻ □ □ □			Nabite batériu.
■ □ □ □	↓		Je možné, že došlo k poruche batérie.
□ □ □ ■			

POZN.: V závislosti od podmienok použitia a teploty prostredia sa indikácia môže mierne líšiť od skutočnej kapacity.

POZN.: Prvá kontrolka (úplne vľavo) bude blikať, ak systém ochrany batérie funguje.

Zapnutie svetla (Fig. 3)

⚠ POZOR: Nepozerajte sa priamo do svetla alebo jeho zdroja.

Stlačením vypínača zapnite svetlo. Ak chcete svetlo vypnúť, stlačte vypínač znova.

POZN.: Zariadenie sa zapne v rovnakom režime, aký bol nastavený naposledy.

Voľba režimu

Pri zapnutom svetle stlačte tlačidlo **REŽIM**, ktorým môžete prechádzať medzi nastavením bodový **reflektor, svetlomet a reflektor + svetlomet**.

Zapnutie stroboskopu (Fig. 4)

Stlačte a podržte tlačidlo **REŽIM**, kým sa zariadenie neprepne do režimu **stroboskop**. Ak chcete režim **stroboskop** vypnúť, jednoducho stlačte tlačidlo **REŽIM**.

Systém ochrany zariadenia/batérie

Zariadenie je vybavené ochranným systémom, ktorý ho v záujme predĺženia prevádzkovej životnosti automaticky vypne.

Ochrana proti nadmernému vybitiu (Fig. 5)

Keď je kapacita batérie nízka, kontrolky LED zhasnú okrem jednej LED. O približne 5 až 10 minút neskôr systém automaticky vypne napájanie.

Ochrana pred inými príčinami

Ochranný systém je navrhnutý aj pre iné príčiny, ktoré by mohli poškodiť zariadenie a umožňuje automatické zastavenie zariadenia. Vykonajte všetky nasledujúce kroky na odstránenie príčin, keď bolo zariadenie dočasne zastavené alebo zastavené v prevádzke.

1. Vypnite zariadenie a potom ho znova zapnite, aby ste ho reštartovali.
2. Nabite batériu(batérie) alebo ju/ich vymeňte za nabitú batériu (batérie).
3. Nechajte zariadenie a batériu (batérie) vychladnúť. Ak obnovou ochranného systému nenájdete žiadne zlepšenie, obráťte sa na miestne servisné stredisko Makita.

Sklon hlavy (Fig. 6)

⚠ POZOR: Pri zmene sklonu hlavy si dajte pozor, aby ste si neprivreli prsty medzi hlavu a telo zariadenia.

Sklon hlavy je možné nastaviť do 4 polôh.

Háčik (Fig. 7)

⚠ POZOR: Pri dvíhaní háčika si dajte pozor, aby ste si neprivreli prsty medzi háčik a telo zariadenia.

Popruh na rameno (Fig. 8)

Popruh na rameno je možné nainštalovať pomocou klipsov na oboch jeho koncoch.

⚠ POZOR: Krúžok nepoužívajte na žiadny iný účel ako na zavesenie zariadenia. V opačnom prípade môže dôjsť k zraneniu osôb.

ÚDRŽBA

⚠ POZOR: Pred pokusom o kontrolu alebo údržbu na prístroji sa vždy uistite, že je vypnutý, odpojený od napájania, a že je vytiahnutá kazeta s batériou.

UPOZORNENIE: Nikdy nepoužívajte benzín, riedidlo, alkohol a pod. Môžu spôsobiť odfarbenie, deformáciu alebo praskliny.

V záujme zachovania BEZPEČNOSTI a SPOĽAHLIVOSTI zariadenia by opravy a akúkoľvek údržbu a úpravy mali robiť iba autorizované alebo továrenské servisné centrá Makita s náhradnými dielmi Makita.

VOLITEĽNÉ PRÍSLUŠENSTVO

⚠ POZOR: Na použitie s prístrojom Makita uvedenom v tomto návode sa odporúča nasledujúce príslušenstvo a nastavce. Použitie iného príslušenstva či nastavcov môže predstavovať riziko zranenia osôb. Príslušenstvo a nastavce používajte iba na účel, na aký sú určené.

Ak potrebujete pomoc alebo ďalšie informácie o príslušenstve, obráťte sa na miestne servisné centrum Makita.

- Pôvodná batéria a nabíjačka Makita.

POZN.: Niektoré položky na tomto zozname môžu byť súčasťou balenia ako štandardné príslušenstvo. To sa v jednotlivých krajinách môže líšiť.

ČESKY (Původní návod k používání)

Vysvětlivky k celkovému pohledu

- | | | | |
|------------------------------|-----------------------|---|--------------------|
| 1. Kazeta s baterií | 5. Tlačítko kontroly | 9. Režim bodového reflektoru + světlotometu | 11. Háček |
| 2. Červený ukazatel | 6. Vypínač | 10. Režim bodového reflektoru | 12. Ramenní popruh |
| 3. Tlačítko uvolnění baterie | 7. Tlačítko REŽIM | | 13. Klip |
| 4. Světlo indikátoru | 8. Režim světlotometu | | |

TECHNICKÉ ÚDAJE

Model	ML007G
LED	Bodový reflektor: 1 ks / Světlotmet: 16 kusů (Stroboskop: 17 kusů)
Rozměry (D × Š × V)	323 mm × 120 mm × 118 mm
Jmenovité napětí	D.C. 36 V - 40 V max
Čistá váha (bez kazety s baterií a ramenní popruh)	0,95 kg

- Díky našemu nepřetržitému programu výzkumu a vývoje se zde uvedené technické údaje mohou měnit bez předchozího upozornění.
- Technické údaje se v jednotlivých zemích mohou lišit.
- Rozměry jsou s BL4025 a s hlavou směrem dopředu.

Bateriová kazeta a nabíječka

Kazeta s baterií	BL4020 / BL4025 / BL4040 / BL4050F / BL4080F
Nabíječka	DC40RA / DC40RB / DC40RC

- V závislosti na vašem regionu nemusí být některé kazety s bateriemi uvedené výše k dispozici.

⚠ VAROVÁNÍ: Používejte pouze kazety s bateriemi a nabíječky uvedené výše. Použití jiných kazet s bateriemi a nabíječky může způsobit zranění a/nebo požár.

Provozní doba

Kazeta s baterií	Provozní doba (přibližně)			
	Bodový reflektor	Světlotmet	Reflektor + světlotometu	Stroboskop
BL4020	5,0 hodiny	5,0 hodiny	3,5 hodiny	5,0 hodiny
BL4025	6,5 hodiny	6,5 hodiny	4,5 hodiny	6,5 hodiny
BL4040	10 hodiny	10 hodiny	7,5 hodiny	10 hodiny
BL4050F	13 hodiny	13 hodiny	9,5 hodiny	13 hodiny
BL4080F	22 hodiny	22 hodiny	16 hodiny	22 hodiny

- Provozní doby uvedené v tabulce představují hrubý odhad. Skutečná provozní doba může být jiná.
- Provozní doba se může lišit v závislosti na typu baterií, stavu nabíjení a podmínkách použití.
- Kazeta s baterií se v jednotlivých zemích může lišit.

Symbols

Následující seznam uvádí symboly používané na přístroji. Před použitím se ujistěte, že rozumíte významu symbolů.



- Přečtěte si návod k použití



- Jen pro použití v interiéru



- Jen pro země EU

Kvůli přítomnosti nebezpečných komponentů v zařízení může mít odpad z elektrických a elektronických zařízení, akumulátorů a baterií negativní vliv na životní prostředí a lidské zdraví.

Elektrická a elektronická zařízení nebo baterie neodhazujte do domovního odpadu! V souladu s evropskou směrnicí o odpadních elektrických a elektronických zařízeních a akumulátorů a baterií a odpadních baterií, jakož i s jejich přízpůsobením vnitrostátním právním předpisům, by se použité elektrické zařízení, baterie a akumulátory měly skladovat odděleně a předat na samostatném sběrném místě pro komunální odpad, zpracovat v souladu s předpisy o ochraně životního prostředí. To je naznačeno symbolem přeškrtnuté pojízdné popelnice umístěným na zařízení.



- Optické záření (UV a IR)
Omezte vystavení očí a kůže na minimum.



- Nedívejte se do zapnuté lampy.



- Používejte vhodný štít nebo jinou ochranu očí.



- Dávejte si pozor!

BEZPEČNOSTNÍ UPOZORNĚNÍ

DŮLEŽITÉ BEZPEČNOSTNÍ POKYNY

VAROVÁNÍ: Při používání elektrického nářadí byste vždy měli dodržovat základní bezpečnostní opatření, abyste omezili riziko požáru, elektrického šoku a osobních zranění, včetně:

PŘEČTĚTE SI VŠECHNY POKYNY.

1. Nedívejte se do světla a nevystavujte oči světlu. Může dojít k poškození zraku.
2. Je-li lampa v provozu, nezakrývejte jej textilem, kartónem ani jiným materiálem, jinak hrozí riziko vznícení.
3. Zařízení není vodotěsné. Nepoužívejte je ve vlhkém prostředí. Nevystavujte nástroj dešti nebo sněhu. Neumývejte je vodou.
4. Nedotýkejte se vnitřku přístroje pinzetou, kovovými nástroji a pod.
5. Když přístroj nepoužíváte, vždy jej vypněte, vyndejte kazetu s baterií z přístroje.
6. Přístroj byste neměli upustit nebo do něj uhadit.
7. Bezpečnostní informace pro přenosné svítliny s bateriemi.
 - Likvidace baterií by měla být v souladu s místními předpisy, které se zabývají likvidací nebezpečných materiálů.
 - Baterii nespalujte.
8. Další informace o svítlinách.
 - Světelný zdroj této svítliny není vyměnitelný; když světelný zdroj dosáhne konce své životnosti, musí se vyměnit celá svítlina.
9. Použití a péče o zařízení na baterie.
 - **VAROVÁNÍ:** Přečtěte si všechna bezpečnostní varování a pokyny. Nedodržení varování a pokynů může vést k úrazu elektrickým proudem, ke vzniku požáru a/nebo vážnému zranění.
 - Zabraňte neúmyslnému spuštění přístroje. Před připojením baterií, zvedáním nebo přenášením přístroje se ujistěte, že vypínač je v poloze vypnuto. Přenášení přístroje s prstem na vypínači nebo zapájení přístroje do zásuvky s vypínačem v poloze zapnuto je často důvodem nehod.
 - Před provedením jakýchkoli úprav nebo výměny příslušenství a před uložením elektrického přístroje odpojte baterie. Taková preventivní bezpečnostní opatření snižují riziko náhodného spuštění přístroje.
 - Nabíjejte jenom podle pokynů uváděných výrobcem. Nabíječka vhodná pro jeden typ baterií může při použití s jiným typem způsobit riziko požáru.
 - Přístroje používejte jenom s příslušnými bateriemi. Použití jiných baterií může způsobit zranění a/nebo požár.
 - Když baterie nejsou v provozu, držte je v určité vzdálenosti od jiných kovových předmětů jako jsou sponky na papír, mince, klíče, hřebíky, vruty nebo jiné drobné kovové předměty, které by mohly vytvořit propojení dvou pólů baterie. Zkrat baterie může způsobit spálení nebo požár.

- V nesprávných podmínkách použití může z baterie vytect tekutina; nedotýkejte se jí. Pokud dojde k náhodnému kontaktu, omyjte místo vodou. Pokud se tekutina dostane do očí, vyhledejte lékařskou pomoc. Tekutina vytečená z baterie může způsobit podráždění nebo popálení.
- Baterie ani přístroj nepoužívejte, jsou-li poškozeny nebo byly-li upraveny. Poškozené nebo upravované baterie se mohou chovat nepředvídatelně a způsobit požár, explozi nebo riziko poranění.
- Baterie ani přístroj nevystavujte ohni ani vysokým teplotám. Vystavení ohni nebo teplotám nad 130 °C (265 °F) může způsobit výbuch.
- Dodržujte všechny pokyny pro napájení a baterie ani přístroj nenabíjejte mimo rozsah teplot uvedený v návodu. Nesprávné nabíjení nebo překročení uvedeného rozsahu teplot může poškodit baterie a zvýšit riziko požáru.
- Údržbu přístroje musí provádět kvalifikovaná osoba za použití pouze identických náhradních součástí. Tím se zajistí, že bude zachována bezpečnost přístroje.
- Přístroj ani baterii neupravujte ani se nepokoušejte je opravovat jinak, než je to uvedeno v návodu k použití.
- Lithium-iontové baterie uvnitř kazety podléhají požadavkům předpisů o nebezpečných věcech. Pro komerční přepravu např. třetími stranami nebo dopravci, platí speciální požadavky na balení a označení. Přípravu předmětu pro přepravu nutno konzultovat s odborníkem na nebezpečné materiály. Dodržujte také místní nařízení, která mohou být přísnější. Otevřené kontakty přelepte nebo jinak zasypte a baterii zabalte takovým způsobem, aby se v obalu nemohla pohybovat.
- Při likvidaci akumulátorové kazety ju vyberte zo zariadenia a zlikvidujte na bezpečnom mieste. Postupujte podle místních předpisů pro likvidaci baterií.
- Baterie používejte jenom v produktech, pro které jsou určeny společností Makita. Instalace baterií do nevhodných produktů může způsobit požár, přehřátí, výbuch nebo vytečení elektrolytu.
- Pokud přístroj delší dobu nepoužíváte, baterii z něj vyndejte.
- Během a po použití se může bateriová kazeta zahřát, což může způsobit popálení nebo popálení při nízké teplotě. Při zacházení s horkými bateriovými kazetami dávejte pozor.
- Nedotýkejte se terminálu přístroje ihned po použití, protože by mohl být dostatečně horký, aby mohl způsobit popálení.
- Nedovolte, aby se do svorek, otvorů a drážek v bateriové kazetě dostaly třísky, prach nebo zemina. To může mít za následek špatný výkon nebo poruchu přístroje nebo bateriové kazety.
- Pokud přístroj nepodporuje použití v blízkosti elektrických vedení vysokého napětí, nepoužívejte bateriovou kazetu v blízkosti elektrických vedení vysokého napětí. Mohlo by to způsobit špatný výkon nebo poruchu přístroje nebo bateriové kazety.
- Udržujte baterii mimo dosah dětí.

Důležité bezpečnostní pokyny pro kazetu s baterií

- Před použitím kazety s baterií si přečtěte návod a výstražné značky na (1) nabíječe, (2) baterii a (3) produktu, který baterii používá.
- Bateriovou kazetu nerozebírejte ani s ní nemanipulujte. To by mohlo způsobit požár, nadměrné zahřátí nebo výbuch.
- Pokud se provozní doba výrazně zkrátí, okamžitě provoz zastavte. Může to způsobit riziko přehřátí, možné spálení a dokonce výbuch.
- Pokud se vám do očí dostane elektrolyt, vypláchněte je čistou vodou a okamžitě vyhledejte lékařskou pomoc. Může to vést ke ztrátě zraku.
- Nezpůsobujte zkrat na kazetě s baterií.
- (1) Nedotýkejte se polů vodivými materiály.
- (2) Kazetu s baterií neskladujte v nádobách s jinými kovovými objekty jako hřebíky, mince a pod.
- (3) Kazetu s baterií nevystavujte dešti nebo sněhu. Zkrat baterie může způsobit zvýšení proudu, přehřátí, možné spálení a dokonce rozpadnutí baterie.
- Zařízení ani kazetu s baterií neskladujte a nepoužívejte na místech, kde může teplota dosáhnout nebo překročit 50 °C (122 °F).
- Kazetu s baterií nespalujte, ani pokud je vážně poškozena nebo úplně nepoužitelná. V ohni může explodovat.
- S bateriovou kazetou neházejte, neřežte ji, nemačkejte, nepouštějte ji na zem, nezatlukejte do ní hřebík ani s ní nebouchajte o tvrdý předmět. Takové chování by mohlo způsobit požár, nadměrné zahřátí nebo výbuch.
- Poškozenou baterii nepoužívejte.

ULOŽTE TĚTO POKYNY.

▲ POZOR: Používejte jenom původní baterie Makita. Použití jiných než původních lithium-iontových baterií Makita nebo upravovaných baterií může vést k prasknutí baterie, požáru, osobní zranění nebo poškozením. Způsobí to také zneplatnění záruky společnosti Makita na přístroj a nabíječku Makita.

Tipy pro zachování co nejdelší životnosti baterie

1. Kazetu s baterií nabíjejte dřív, než se úplně vybijí. Když si všimnete, že nástroj dochází energie, vždy jej vypněte a nabíjete kazetu s baterií.
2. Nikdy nenabíjejte plně nabitou kazetu s baterií. Přebíjí baterie zkracuje její životnost.
3. Kazetu s baterií nabíjejte za pokojové teploty, při 10 °C - 40 °C (50 °F - 104 °F). Horkou kazetu s baterií nechte před nabitím vychladit.
4. Pokud bateriovou kazetu nepoužíváte, vyjměte ji zo zariadenia nebo nabíječky.
5. Pokud kazetu s baterií delší dobu (více než šest měsíců) nepoužíváte, nabíjete ji.

FUNKČNÍ POPIS

⚠ POZOR: Před úpravou nebo kontrolou funkce nástroje se vždy ujistěte, že je nástroj vypnutý, odpojený od proudu a kazeta s baterií je odstraněna.

Instalace a odstranění kazety s baterií (Fig. 1)

⚠ POZOR: Před demontáží kazety s baterií zařízení vždy vypněte.

⚠ POZOR: Nástroj a kazetu s baterií při instalaci nebo odstraňování kazety s baterií pevně držte. Pokud nástroj a kazetu s baterií nebudete pevně držet, může se stát, že vám vyklouznou a způsobí poškození přístroje nebo kazety s baterií nebo zranění.

Pro odstranění kazety s baterií ji z přístroje vysuňte a zároveň posouvejte tlačítko na přední straně kazety. Pro instalaci kazety s baterií srovnějte jazýček na kazetě s baterií srovnějte s drážkou a zasuňte ji na místo. Zasuňte ji na doraz, dokud s kliknutím nezapadne na místo. Pokud vidíte červený indikátor, jak je znázorněn na obrázku, není zcela uzamčen.

⚠ POZOR: Kazetu s baterií vždy instalujte úplně, aby nebyl vidět červený ukazatel. Pokud to neuděláte, může z nástroje vypadnout a způsobit zranění vám nebo dalším osobám.

⚠ POZOR: Kazetu s baterií neinstalujte násilím. Pokud kazeta nezajíždí dovnitř lehce, znamená to, že ji neinstalujete správně.

Indikátor zbývající kapacity baterie (Fig. 2)

Zbývající kapacitu baterie můžete zobrazit stisknutím tlačítka kontroly na kazetě s baterií. Indikátor se na několik sekund rozsvítí.

Světlo indikátoru			Zbývající kapacita
Svítil	Nesvítil	Bliká	
■	□	◻	75 % až 100 %
■	■	□	
■	■	□	
■	□	□	
■	□	□	50 % až 75 %
■	□	□	25 % až 50 %
■	□	□	0 % až 25 %
◻	□	□	Nabíjte baterii.
■	■	□	Baterie může být vadná.
□	□	■	

POZN.: V závislosti na podmínkách použití a teplotě prostředí se indikátor může jemně odchýlit od skutečné kapacity.

POZN.: Nejprve kontrolka (zcela vlevo) bude blikat, když systém ochrany baterie funguje.

Zapnutí světla (Fig. 3)

⚠ POZOR: Nedívejte se do přímo světla nebo jeho zdroje.

Pro zapnutí světla stiskněte vypínač. Pro vypnutí světla znovu stiskněte vypínač.

POZN.: Zařízení se zapne ve stejném režimu, jaký byl nastaven posledně.

Volba režimu

Když je světlo zapnuto, stiskněte tlačítko **REŽIMU**, pomocí kterého můžete procházet mezi nastaveními bodový **reflektor**, **světlo** a **reflektor + světlo**.

Zapnutí stroboskopu (Fig. 4)

Stiskněte a držte tlačítko **REŽIMU**, dokud se zařízení nepřepne do režimu **stroboskop**. Pro vypnutí režimu **stroboskop** jednoduše stiskněte tlačítko **REŽIMU**.

Zariadení / systém ochrany baterie

zariadení je vybaveno ochranným systémom, ktorý je v zámjmu prodloužení provozní doby automaticky vypne.

Ochrana proti nadměrnému vybití (Fig. 5)

Když je kapacita baterie nízká, kontrolky LED zhasnou kromě jedné LED. O přibližně pět až deset minut systém automaticky vypne napájení.

Ochrana před jinými příčinami

Ochranný systém je navržen i pro jiné příčiny, které by mohly poškodit zařízení a umožňuje automatické zastavení zařízení. Provedte všechny následující kroky k odstranění příčin, když bylo zařízení dočasně zastaveno nebo zastaveno v provozu.

1. Vypněte zařízení a poté jej znovu zapněte, abyste jej restartovali.
2. Nabíjte baterii (baterie) nebo ji/jejich vyměňte za nabitou baterii (baterie).
3. Nechte zařízení a baterii (baterie) vychladnout. Pokud obnovou ochranného systému nenajdete žádné zlepšení, obraťte se na místní servisní středisko Makita.

Sklon hlavy (Fig. 6)

⚠ POZOR: Při změně sklonu hlavy si dejte pozor, abyste si neskřípli prsty mezi hlavou a tělem zařízení.

Sklon hlavy můžete nastavit ve 4 krocích.

Háček (Fig. 7)

⚠ POZOR: Při zvedání háčku si dejte pozor, abyste si neskřípli prsty mezi háčkem a tělem zařízení.

Popruh na rameno(Fig. 8)

Popruh na rameno lze připevnit pomocí klipsů na obou koncích.

⚠ POZOR: Kroužek nepoužívejte k žádnému jinému účelu než k zavěšení zařízení. V opačném případě může dojít ke zranění osob.

ÚDRŽBA

⚠ POZOR: Před pokusem o vykonání kontroly nebo údržby se vždy ujistěte, že je nástroj vypnutý, odpojený od proudu a kazeta s baterií je odstraněna.

UPOZORNĚNÍ: Nikdy nepoužívejte benzín, ředidlo, alkohol ani podobné látky. Mohou způsobit odbarvení, deformaci nebo praskliny.

Pro zachování BEZPEČNOSTI a SPOLEHLIVOSTI zařízení by všechny opravy a další údržbu nebo nastavení měli provádět autorizovaná nebo tovární servisní centra Makita za použití původních náhradních dílů Makita.

VOLITELNÉ PŘÍSLUŠENSTVÍ

⚠ POZOR: Pro použití s vaším nástrojem Makita uvedeném v tomto návodu se doporučuje následující příslušenství. Použití jiného příslušenství nebo nástavců může představovat riziko poranění osob. Příslušenství nebo nástavce používejte jenom na účel, k jakému jsou určeny.

Potřebujete-li pomoc nebo další informace o tomto příslušenství, obraťte se na místní servisní centrum Makita.

- Původní baterie a nabíječka Makita.

POZN.: Některé položky na tomto seznamu mohou být součástí balení jako standardní příslušenství. To se v jednotlivých zemích může lišit.

SLOVENŠČINA (Originalna navodila)

Pojasnilo splošnega prikaza

- | | | | |
|---------------------------------|-------------------------------------|---|---------------|
| 1. Vložek za baterije | 5. Gumb za preverjanje | 9. Način Spot + Flood (točkovna + razpršena svetloba) | 12. Naramnice |
| 2. Rdeči indikator | 6. Gumb za vklop | 10. Način Spot (točkovna svetloba) | 13. Objemka |
| 3. Tipka za sproščanje baterije | 7. Tipka MODE (NAČIN) | 11. Kavelj | |
| 4. Kontrolne lučke | 8. Način Flood (razpršena svetloba) | | |

SPECIFIKACIJE

Model	ML007G
LED	Točka: 1 del / Razpršeno: 16 delov (Utripanje: 17 delov)
Mere (D × Š × V)	323 mm × 120 mm × 118 mm
Nominalna napetost	D.C. 36 V - 40 V maks.
Neto teža (brez vložka za baterije in naramni jermen)	0,95 kg

- Zaradi našega stalnega programa raziskav in razvoja se lahko specifikacije v tem dokumentu spremenijo brez predhodnega obvestila.
- Specifikacije se med državami lahko razlikujejo.
- Te dimenzije so z vzorcem BL4025 in z glavo obrnjeno naprej.

Primeren vložek za baterije in polnilnik

Vložek za baterije	BL4020 / BL4025 / BL4040 / BL4050F / BL4080F
Polnilnik	DC40RA / DC40RB / DC40RC

- Nekateri zgoraj naštetih vložki za baterije morda niso na voljo, odvisno od države, v kateri prebivate.

⚠ OPOZORILO: Uporabljajte le zgoraj navedene vložke za baterije in polnilnike. Uporaba drugih vložkov za baterije in polnilnikov lahko povzroči poškodbe in/ali požar.

Čas delovanja

Vložek za baterije	Čas delovanja (približno)			
	Točka	Razpršeno	Spot + Flood (točkovna + razpršena svetloba)	Utripanje
BL4020	5,0 ur	5,0 ur	3,5 ur	5,0 ur
BL4025	6,5 ur	6,5 ur	4,5 ur	6,5 ur
BL4040	10 ur	10 ur	7,5 ur	10 ur
BL4050F	13 ur	13 ur	9,5 ur	13 ur
BL4080F	22 ur	22 ur	16 ur	22 ur

- Časi delovanja v zgornji preglednici so približne smernice. Lahko se razlikujejo od dejanskih časov delovanja.
- Časi delovanja se lahko razlikujejo glede na vrsto baterije, stanje polnjenja in pogoje uporabe.
- Vložek za baterije se lahko razlikuje od države do države.

Simboli

V nadaljevanju so prikazani simboli, ki se uporabljajo za opremo. Pred uporabo se prepričajte, da razumete njihov pomen.



- Preberite navodila za uporabo



- Samo za notranjo uporabo



- Samo za države EU
Zaradi škodljivih sestavnih delov v opremi, odpadkov električne in elektronske opreme akumulatorji in baterije možno povzročijo negativne učinke na okolje in osebno zdravje. Ne smete obravnavati električne in elektronske opreme ali baterije kot gospodinjskih odpadkov. V skladu z direktivo EU o odpadni električni in elektronski opremi, o baterijah in akumulatorjih ter odpadnih baterijah in akumulatorjih kot tudi v skladu s prilagoditvami nacionalni zakonodaji morate shranjevati akumulatorje in baterije ločeno ter dostavljati na ločeno zbirališče komunalnih odpadkov, ki delujejo pod predpisi o varstvu okolja. To je pokazano s simbolom prečrtanega smetnjaka na kolesih v opremi.



- Optično sevanje (UV in IR).
Zmanjšajte izpostavljenost oči ali kože.



- Ne strmite se v delujočo svetilko.



- Uporabite ustrezne ščite ali zaščito za oči.



- Bodite še posebej pazljivi in pozorni!

VARNOSTNA NAVODILA

POMEMBNA VARNOSTNA NAVODILA

⚠ OPOZORILO: Pri uporabi električnih orodij je treba vedno upoštevati osnovne varnostne ukrepe za zmanjšanje nevarnosti požara, električnega udara in telesnih poškodb, vključno z naslednjim:

PREBERITE VSA NAVODILA.

1. Ne glejte v svetlobo ali izpostavljajte oči svetlobi. Pride lahko do poškodb oči.
2. Svetilke ne pokrivajte s krpo, kartonom in podobno. V nasprotnem primeru lahko to povzroči požar.
3. Naprava ni vodoodporna. Ne uporabljajte v vlažnem ali mokrem okolju. Ne izpostavljajte ga dežju in snegu. Ne perite ga v vodi.
4. Ne dotikajte se notranjosti naprave s pinceto, kovinskim orodjem itd.
5. Kadar naprave ne uporabljate, jo vedno izklopite in odstranite vložek za baterije.
6. Pazite, da naprava ne bo podvržena udarcem zaradi padcev, trkov itd.
7. Varnostne informacije za prenosne svetilke z baterijami.
 - Odlaganje baterije mora biti v skladu s krajevnim predpisi, ki obravnavajo odlaganje nevarnih snovi.
 - Baterije ne sežigajte.
8. Dodatne informacije za svetilke.
- Svetlobni vir te svetilke ni zamenljiv, tako da ko se konča obdobje uporabe svetlobnega vira, morate zamenjati celo svetilko.
9. Uporaba in nega baterijskega orodja.
 - **OPOZORILO:** Preberite vsa varnostna opozorila in navodila. Neupoštevanje opozoril in navodil lahko povzroči električni udar, požar, in/ali resno poškodbo.
 - Izogibajte se nenamernemu vklopu orodja. Prepričajte se, da je stikalo izklopljeno, preden v orodje vstavite baterijski vložek, jo poberete ali prestavite. Pri nošnji naprave s prstom postavljenim na stikalno na vklop, oziroma pri polnjenju naprave z vklopljenim stikalom, lahko pride do nesreč.
 - Pred nastavljanjem, zamenjavo dodatkov ali skladiščenjem naprave odstranite baterijski vložek. Takšni preventivni varnostni ukrepi zmanjšajo tveganje nenamernega vklopa naprave.
 - Polnite le z napajalnikom, ki ga določi proizvajalec. Napajalnik, primeren za eno vrsto baterijskega vložka, predstavlja nevarnost požara, če ga uporabljate z drugim baterijskim vložkom.
 - Naprave uporabljajte le s predpisanimi baterijskimi vložki. Uporaba drugih baterijskih vložkov lahko predstavlja nevarnost poškodbe in požara.
 - Ko baterijskega vložka ne uporabljate, ga varujte pred stikom z drugimi kovinskimi predmeti, kot so sponke, kovanci, ključi, žebliji, vijaki ali drugi majhni kovinski predmeti, ki lahko vzpostavijo povezavo med enim in drugim polom. Če kratko sklenete pola baterije, lahko pride do opeklin ali požara.

- Pri preobremenitvi baterije lahko iz nje brizgne tekočina, katere se ne smete dotikati. Če nezgodno pridete v stik s tekočino, jo sperite z vodo. Če pride tekočina v oči, poiščite zdravniško pomoč. Tekočina, ki brizgne iz baterije, lahko povzroči draženje ali opekline.
- Ne uporabljajte baterijskega vložka ali naprave, ki je poškodovana ali spremenjena. Poškodovane ali spremenjene baterije lahko imajo nepredvidljivo vedenje, kar lahko privede do požara, eksplozije ali nevarnosti poškodb.
- Ne izpostavljajte baterijskega vložka ali naprave ognju ali prekomerni temperaturi. Izpostavljanje ognju ali temperaturam nad 130 °C (265 °F) lahko povzroči eksplozijo.
- Upoštevajte vsa navodila za polnjenje in ne polnite baterijskega vložka na temperaturi, ki je izven predpisanih omejitev v teh navodilih. Nepravilno polnjenje ali pri temperaturi izven določenega obsega lahko poškoduje baterijo in poveča nevarnost požara.
- Servis naj opravi usposobljen popravilavec, ki lahko uporabi samo originalne nadomestne dele. To bo zagotovilo, da se ohranja varnost naprave.
- Naprave ali baterijskega vložka ne poskušajte spreminjati ali popravljati, razen kot je navedeno v navodilih za uporabo in nego.

Pomembna varnostna navodila za vložek za baterije

- Preden uporabite vložek za baterije, preberite vsa navodila in previdnostne oznake na (1) polnilniku, (2) bateriji in (3) izdelku, ki uporablja baterijo.
- Vložka za baterije ne razstavljajte ali spreminjajte nedovoljeno. Lahko privede do požara, prekomerne vročine ali eksplozije.
- Če se čas delovanja občutno skrajša, uporabo takoj prenehajte. To lahko povzroči nevarnost pregrevanja, možne opekline in celo eksplozijo.
- Če elektrolit pride v oči, jih izperite s čisto vodo in takoj poiščite zdravniško pomoč. Lahko povzroči izgubo vida.
- Ne povzročite kratkega stika vložka za baterije.
- (1) Ne dotikajte se sponk s prevodnim materialom.
- (2) Izogibajte se shranjevanju vložka za baterije z drugimi kovinskimi predmeti, kot so žbljli, kovanci itd.
- (3) Vložka za baterije ne izpostavljajte vodi ali dežju. Kratki stik baterije lahko povzroči velik pretok toka, pregrevanje, možne opekline in celo okvaro.
- Orodja in vložka za baterije ne uporabljajte in ne hranite na mestih, kjer lahko temperatura doseže ali preseže 50 °C (122 °F).
- Vložka za baterije ne sežigate, tudi če je močno poškodovan ali je popolnoma dotrajan. Vložek za baterije lahko v požaru eksplodira.
- Ne pribijajte, ne režite, ne drobite, ne mečite, ne spuščajte vložka za baterije in ne udarjajte s trdim predmetom v vložek. Takšno ravnanje lahko privede do požara, prekomerne vročine ali eksplozije.
- Ne uporabljajte poškodovane baterije.
- Vsebovane litij-ionske baterije so predmet zahtev zakonodaje za nevarne snovi. Za komercialne prevoze npr. tretje osebe, morajo prevozniki upoštevati posebne zahteve glede embalaže in etiketiranja. Za pripravo pošiljke je potrebno

- posvetovanje s strokovnjakom za nevarne snovi. Upoštevajte tudi podrobnejše nacionalne predpise. Odprte kontakte prelepajte ali zavarujte in pripravite baterijo tako, da se v embalaži ne more premikati.
- Ko zavrzete baterijske vložke, jih odstranite iz naprave in postavite v varni prostor. Upoštevajte lokalne predpise v zvezi z odstranjevanjem baterije.
- Baterije uporabljajte samo z izdelki, ki jih je določil proizvajalec Makita. Nameščenje baterij na neskladne izdelke lahko povzroči požar, prekomerno gretje, eksplozijo ali uhajanje elektrolita.
- Če orodja dlje časa ne uporabljate, odstranite baterijo iz orodja.
- Međ in po uporabi se lahko vložek za baterije segreje, kar lahko vodi do opeklin ali opeklin nizke temperature. Bodite pozorni na ravnanje z vročimi vložki.
- Ne dotikajte se sponke orodja takoj po uporabi, saj se lahko dovolj segreje, da povzroči opekline.
- Ne dovolite, da bi se v sponke, odprtine in utore vložka ujeli drobci, prah ali prst. Posledica tega je lahko slaba zmogljivost ali okvara orodja ali vložka.
- Če orodje ne podpira uporabe v bližini visokonapetostnih električnih vodov, vložka za baterije ne uporabljajte v bližini visokonapetostnih električnih vodov. To lahko privede do nepravilnega delovanja ali okvare orodja ali vložka.
- Baterijo hranite stran od otrok.

TA NAVODILA SHRANITE.

⚠ POZOR: Uporabljajte samo originalne baterije Makita. Uporaba neoriginalnih baterij Makita ali spremenjenih baterij lahko povzroči, da baterija počni, kar povzroči požar, telesne poškodbe in škodo. Prav tako bo to razveljavilo garancijo Makita za orodje in polnilnik Makita.

Nasveti za vzdrževanje maksimalne življenjske dobe baterije

1. Vložek za baterije napolnite, preden se popolnoma izprazni. Vedno prekinite delovanje orodja in napolnite vložek za baterije, ko opazite zmanjšano moč orodja.
2. Nikoli ne polnite popolnoma napolnjenega vložka za baterije. Prekomerno polnjenje skrajša delovno dobo baterije.
3. Polnite vložek za baterije pri sobni temperaturi 10 °C - 40 °C (50 °F - 104 °F). Pred polnjenjem počakajte, da se vroč vložek za baterije ohladi.
4. Če vložka ne uporabljate, ga odstranite iz orodja ali polnilca.
5. Vložek za baterije napolnite, če ga dalj časa ne uporabljate (več kot šest mesecev).

FUNKCIONALNI OPIS

⚠ POZOR: Vedno se prepričajte, da je orodje izklopljeno, izključeno iz električnega omrežja in da je vložek za baterije odstranjen, preden nastavljate ali preverjate delovanje orodja.

Nameščanje ali odstranjevanje vložka za baterije (Fig. 1)

⚠ POZOR: Pred odstranitvijo vložka za baterije vedno izklopite orodje.

⚠ POZOR: Pri vstavljanju ali odstranjevanju vložka za baterije trdno držite orodje in vložek. Če orodja in vložka za baterije ne boste trdno držali, lahko zdrsne z rok, kar povzroči poškodbe orodja in vložka za baterije ter poškodbe oseb.

Če želite odstraniti vložek za baterije, ga potisnite iz orodja, medtem ko držite gumb na sprednji strani vložka. Za vstavljanje baterije poravnajte jeziček na vložku za baterije z utorom v ohišju in ga potisnite na svoje mesto. Vstavite ga do konca, dokler se z majhnim klikom ne zaskoči na mestu. Če rdeči indikator sija kot na sliki, pomeni, da oprema ni popolnoma zaklenjena.

⚠ POZOR: Vložek za baterije vedno vstavite do konca, dokler rdeč pokazatelj več ni viden. V nasprotnem primeru lahko slučajno pade iz orodja in poškoduje vas ali osebe okoli vas.

⚠ POZOR: Vložka za baterije ne vstavljajte s silo. Če vložek v napravo ne zdrsi zlahka, ga ne vstavljate pravilno.

Nakazuje preostalo zmogljivost baterije (Fig. 2)

Pritisnite gumb za preverjanje na vložku za baterije, da preverite preostalo zmogljivost baterije. Lučke pokazatelja zasvetijo za nekaj sekund.

Kontrolne lučke			Preostala zmogljivost
Osvetljeno	Izklopljeno	Utripanje	
			75 % do 100 %
			50 % do 75 %
			25 % do 50 %
			0 % do 25 %
			Napolnite baterijo.
			Morda se je pojavilo nepravilno delovanje baterije.

OPOMBA: Glede na pogoje uporabe in temperaturo okolice se lahko indikacija nekoliko razlikuje od dejanske zmogljivosti.

OPOMBA: Prva (skrajno leva) kontrolna lučka bo utripala ob delovanju sistema za zaščito baterije.

Vklop luči (Fig. 3)

⚠ POZOR: Ne glejte v svetlobo ali neposredno v vir svetlobe.

Pritisnite gumb za vklop/izklop, da svetilko vklopite. Če želite izklopiti luč, ponovno pritisnite gumb za vklop/izklop.

OPOMBA: Naprava se vklopi in istem načinu kot je bila nazadnje nastavljena.

Izbira načina

Medtem ko luč sveti, pritisnite gumb **MODE (NAČIN)**, da preklapljate med nastavitvami **točka, razpršena svetloba in tačka + razpršena svetloba**.

Vklopite utripanja (Fig. 4)

Pritisnite in držite gumb **MODE (NAČIN)**, dokler aparat ne preklopi v način **utripanje**. Če želite izklopiti način **utripanje** izklopiti, preprosto pritisnite gumb **MODE (NAČIN)**.

Sistem zaščite stroja/baterije

Orodje je opremljeno z zaščitnim sistemom, ki samodejno izklopi izhodno moč za dolgo življenjsko dobo.

Zaščita pred preobremenitvijo baterije (Fig. 5)

Kadar se zmogljivost baterije znižuje, bodo LED lučke ugasnile razen edine LED lučke. Nato sistem približno pet do deset minut kasneje samodejno izklopi napajanje.

Zaščita pred drugimi vzroki

Zaščitni sistem je namenjen tudi drugim vzrokom, ki lahko škodujejo opremi in povzročijo, da se naprava ustavi samodejno. Sledite vsem naslednjim korakom, da lahko odstranite okvare, ko se oprema zaustavi ali ustavi.

1. Izklopite napravo in ga znova vklopite, da se znova zažene.
2. Polnite baterijo ali nadomestite napolnjeno baterijo.
3. Pustite, da se oprema in baterije ohladijo.

Če se oprema ne izboljša po obnovitvi zaščitnega sistema, pokličite lokalni Makita servisni center.

Kot glave (Fig. 6)

⚠ POZOR: Pri spreminjanju kota glave bodite previdni, da si ne priščipnete prstov med glavo in ohišje orodja.

Kot glave lahko nastavite v 4 stopnjah.

Kavelj (Fig. 7)

⚠ POZOR: Ko dvignete kavelj, bodite previdni, da si ne priščipnete prstov med kavelj in ohišje orodja.

Naramni jermen (Fig. 8)

Naramni jermen lahko namestite s sponkami na obeh koncih.

⚠ POZOR: Ne smete uporabiti obroča v druge namene razen visenja opreme. Drugače bodo uporabniki poškodovani.

VZDRŽEVANJE

⚠ POZOR: Vedno se prepričajte, da je orodje izklopljeno, izključeno iz električnega omrežja in da je vložek za baterije odstranjen, preden izvajate pregled ali vzdrževanje.

OPOMBA: Nikoli ne uporabljajte bencina, benzena, redčila, alkohola in podobnega. Posledica je lahko razbarvanje, deformacije ali razpoke.

Za ohranjanje VARNOSTI in ZANESLJIVOSTI izdelka, lahko popravila ali nastavitve izvajajo le pooblaščen ali tovarniški servisni centri Makita, ki vedno uporabljajo nadomestne dele Makita.

IZBIRNI DODATKI

⚠ POZOR: Ta dodatna oprema ali dodatki se priporočajo za uporabo z orodjem Makita, ki je naveden v tem priročniku. Uporaba druge dodatne opreme ali dodatkov lahko predstavlja nevarnost za telesne poškodbe. Dodatno opremo ali dodatke uporabljajte samo za navedeni namen.

Če potrebujete kakršno koli pomoč za več podrobnosti o tej dodatni opremi, se obrnite na lokalni servisni center Makita.

- Originalna baterija in polnilnik Makita.

OPOMBA: Nekatere postavke na seznamu so lahko vključene v paket opreme orodja kot standardna dodatna oprema. Lahko se razlikujejo od države do države.

SHQIP (Udhëzimet origjinale)

Shpjegim i pamjes së përgjithshme

- | | | | |
|----------------------------------|--------------------------|----------------------------|------------|
| 1. Bateria | 5. Butoni i kontrollit | 9. Modaliteti i zgjeruar + | 13. Kapëse |
| 2. Treguesi i kuq | 6. Butoni i ndezjes | i pikës | |
| 3. Butoni i lëshimit të baterisë | 7. Butoni i modalitetit | 10. Modaliteti i pikës | |
| 4. Drita e treguesit | 8. Modaliteti i zgjeruar | 11. Çengeli | |
| | | 12. Rripi i supit | |

SPECIFIKIME

Modeli	ML007G
LED	Pikë: 1 pc. / I zgjeruar: 16 pcs. (Stroboskopik: 17 pcs.)
Përmasat (Gj x Gj x L)	323 mm x 120 mm x 118 mm
Voltazhi nominal	D.C. 36 V - 40 V maks.
Pesha neto (pa bateri dhe rripi i supit)	0,95 kg

- Për shkak të programit tonë të vazhdueshëm të kërkimit dhe zhvillimit, specifikimet këtu mund të ndryshojnë pa paralajmërim.
- Specifikimet mund të ndryshojnë nga një vend në tjetrin.
- Përmasat janë matur me BL4025 dhe kokën të drejtuar përpara.

Bateria përkatëse dhe karikuesi

Bateria	BL4020 / BL4025 / BL4040 / BL4050F / BL4080F
Karikuesi	DC40RA / DC40RB / DC40RC

- Disa prej bateritë të listuara më lart mund të mos jenë të disponueshme në varësi të rajonit tuaj të banimit.

⚠ PARALAJMËRIM: Përdorni vetëm fishekët dhe bateritë e baterisë të listuara më sipër. Përdorimi i ndonjë baterie dhe karikuesi tjetër mund të shkaktojë lëndim dhe/ose zjarr.

Koha e funksionimit

Bateria	Koha e funksionimit (përafërsisht)			
	Pikë	I zgjeruar	Pikë + i zgjeruar	Stroboskopik
BL4020	5,0 orë	5,0 orë	3,5 orë	5,0 orë
BL4025	6,5 orë	6,5 orë	4,5 orë	6,5 orë
BL4040	10 orë	10 orë	7,5 orë	10 orë
BL4050F	13 orë	13 orë	9,5 orë	13 orë
BL4080F	22 orë	22 orë	16 orë	22 orë

- Kohët e funksionimit në tabelën më sipër janë vlera të përafërta. Ato mund të ndryshojnë nga vlerat reale të kohës së funksionimit.
- Kohët e funksionimit mund të ndryshojnë në varësi të llojit të baterisë, statusit të karikimit dhe gjendjes së përdorimit.
- Bateria mund të ndryshojë nga një shtet në tjetrin.

Simbolet

Më poshtë tregohen simbolet e përdorura për pajisjet. Sigurohuni që e kuptoni kuptimin e tyre përpara përdorimit.



- Lexoni manualin e udhëzimeve



- Vetëm për përdorim në ambiente të brendshme.



- Vetëm për vendet e BE-së
Për shkak të përmbajtjeve të rrezikshme në pajisje, pajisjet e mbetura elektrike dhe elektronike, akumulatorët dhe bateritë mund të kenë një ndikim negativ për mjedis dhe shëndetin e njeriut.

Mos i hidhni pajisjet elektrike dhe elektronike ose bateritë me mbeturinat shtëpiake! Në përputhje me Direktivën Evropiane për pajisjet e mbetura elektrike dhe elektronike dhe për akumulatorët dhe bateritë të mbetura, si dhe përshtatjen e tyre me ligjin kombëtar, pajisjet e mbetura elektrike, bateritë dhe akumulatorët duhet të megazinohen veçmas dhe të dërgohen në një pikë grumbullimi të veçantë për mbeturina komunale, që të operohen në përputhje me rregulloret për mbrojtjen e mjedisit.

Kjo tregohet nga simboli i koshit me rrota të kryqëzuar të vendosur në pajisje.



- Rrezatimi optik (UV dhe IR).
Minimizoni ekspozimin ndaj syve ose lëkurës.



- Mos ia ngulni sytë llambës.



- Përdorni mbrojtje të duhur ose mbrojtjen e syve.



- Kujdes dhe vëmendje të veçantë!

PARALAJMËRIMET PËR SIGURINË

UDHËZIME TË RËNDËSISHME PËR SIGURINË

▲ PARALAJMËRIM: Kur përdorni veglat elektrike, duhet të ndiqni gjithmonë masat paraprake bazë për sigurinë për të zvogëluar rrezikun e zjarrit, të goditjeve elektrike dhe të lëndimeve personale, duke përfshirë si më poshtë:

LEXONI TË GJITHA UDHËZIMET.

1. Mos shikoni drejt dritës dhe mos e drejtoni dritën drejt syve. Mund të dëmtoni sytë.
2. Mos e mbulon llambën me roba ose kartonë etj, përndryshe mund të shkaktojë flakë.
3. Pajisja nuk është rezistente ndaj ujit. Mos e përdorni në vende të njoma ose me lagështi. Mos e ekspozoni ndaj shiut ose borës. Mos e lani në ujë.
4. Mos prekni në pjesën e brendshme të pajisjes me pinca, vegla metalike etj.
5. Kur pajisja nuk është në përdorim, gjithmonë fikeni dhe hiqni baterinë nga pajisja.
6. Mos shkaktoni goditje të pajisjes nga rrëzimet, përplasjet etj.
7. Informacione sigurie për ndriçuesit portativë me bateri.
- Flakja e baterisë së përdorur duhet të bëhet në përputhje me rregulloret lokale që trajtojnë hedhjen e materialeve të rrezikshme.
- Mos i vini flakën baterisë.
8. Informacione shtesë për ndriçuesit.
- Burimi i dritës i këtij ndriçuesi nuk është i zëvendësueshëm; kur burimi i dritës arrin fundin e jetës së tij, i gjithë ndriçuesi duhet të zëvendësohet.
9. Përdorimi dhe kujdesi për veglën me bateri.
- PARALAJMËRIM: Lexoni të gjitha udhëzimet dhe paralajmërimet për sigurinë. Mosrespektimi i paralajmërimeve dhe udhëzimeve mund të shkaktojë goditje elektrike, zjarr dhe/ose lëndime të rënda.
- Parandaloni ndezjen e paqëllimët. Sigurohuni që çelësi të jetë në pozicion e fikjes para se të vendosni paketën e baterisë, të ngrini ose mbani pajisjen. Mbjaltja e pajisjes me gishtin tuaj në çelës ose pajisjen energjetike që ka çelësin të ndezur bëhet shkak për aksidente.
- Shkëputni paketën e baterisë nga pajisja përpara se të bëni ndonjë rregullim, ndërrim të aksesorëve ose magazinimin e pajisjes. Këto masa parandaluese të sigurisë zvogëlojnë rrezikun e ndezjes së pajisjes aksidentalisht.
- Karikojeni vetëm me karikuesin e specifikuar nga prodhuesi. Një karikues i përshtatshëm për një lloj pakete baterie mund të krijojë rrezik zjarri kur përdoret me një tjetër paketë baterie.
- Përdorni pajisje vetëm me paketa baterie të përcaktuara posaçërisht. Përdorimi i çdo tjetër pakete baterie mund të krijojë rrezik lëndimi dhe zjarri.
- Kur paketa e baterisë nuk është në përdorim, mbajeni larg nga objektet e tjera metalike, si kapëse letre, monedha, çelësa, gozhdë, vida ose objekte të tjera të vogla metalike, të cilat mund të bëjnë lidhje nga një terminal në tjetrin. Qarku i shkurtër i terminalëve të baterisë së mund të shkaktojë djegie ose zjarr.

- Në kushte abuzive, lëngu mund të nxirret nga bateria; shmangni kontaktin me të. Nëse kontakti ndodh rastësisht, shpëlajeni me ujë. Nëse lëngu bie në kontakt me sytë, kërkoni ndihmë mjekësore krahas kësaj. Lëngu i nxjerrë nga bateria mund të shkaktojë acarim ose djegie.
- Mos përdorni një paketë baterie ose pajisje që është e dëmtuar ose modifikuar. Bateritë e dëmtuara ose të modifikuara mund të shfaqin sjellje të paparashikueshme që rezultojnë në zjarr, shpërthim ose rrezik dëmtimi.
- Mos e ekspozoni një paketë baterie ose pajisje ndaj zjarrit ose temperaturës së tepëruar. Ekspozimi ndaj zjarrit ose temperaturës mbi 130 °C (265 °F) mund të shkaktojë shpërthim.
- Ndiqui të gjitha udhëzimet e karikimit dhe mos e karikoni paketën e baterisë ose pajisjen jashtë gamës së temperaturës, të specifikuar në udhëzime. Karikimi i gabuar ose në temperatura jashtë kufijve të caktuar mund të dëmtojë baterinë dhe të rrisë rrezikun e zjarrit.
- Bëni që shërbimi të kryhet nga një riparues i kualifikuar duke përdorur vetëm pjesë këmbimi identike. Kjo siguron që siguria e produktit të ruhet.
- Mos modifikoni ose të përipiçeni të rregulloni pajisjen apo paketën e baterisë, përveç siç tregohet në udhëzimet për përdorim dhe kujdes.

Udhëzime të rëndësishme të sigurisë për baterinë

- Para se të përdorni baterinë, lexoni të gjitha udhëzimet dhe shenjat paralajmëruese mbi (1) karikuesin e baterisë, (2) baterinë dhe (3) produktin që përdor baterinë.
- Mos e çmontoni ose ndërhyini të bateria. Kjo mund të shkaktojë zjarr, nxehtësi të lartë ose shpërthim.
- Nëse koha e funksionimit është bërë shumë më e shkurtër, ndaloni menjëherë punën. Mund të rezultojë në rrezik të mbinxehjes, djegie të mundshme, madje edhe në shpërthim.
- Nëse elektrolitet futet në sytë tuaj, shpëlajeni me ujë të pastër dhe menjëherë kërkoni kujdes mjekësor. Mund të rezultojë në humbjen e shikimit tuaj.
- Mos bëni qark të shkurtër me baterinë.
- (1) Mos i prekni terminalet me ndonjë material përcjellës.
- (2) Shmangni ruajtjen e baterisë në një enë me sende metalike të tjera, siç janë gozhdët, monedhat, etj.
- (3) Mos e ekspozoni baterinë në ujë ose shi. Qarku i shkurtër i baterisë mund të shkaktojë rrymë elektrike të madhe, mbinxehje, djegie të mundshme dhe madje edhe një avari.
- Mos e mbani dhe mos e përdorni vegëlën dhe baterinë në vende ku temperatura mund të arrijë ose të tejkalojë 50 °C (122 °F).
- Mos e baterinë edhe nëse është dëmtuar rëndë ose është konsumuar plotësisht. Bateria mund të shpërthejë në zjarr.
- Mos e shponi, prisni, shtypni, hidhni, rrëzoni baterinë dhe mos e përplasni baterinë me një objekt të fortë. Një sjellje e tillë mund të shkaktojë zjarr, nxehtësi të lartë ose shpërthim.
- Mos përdorni një bateri të dëmtuar.

- Bateritë me jone litiumi u nënshtrohen kërkesave të legjisllacionit për mallrat e rrezikshme. Për transporte tregtare p.sh. nga palë të treta, agjentët transporti, duhet të respektohet kërkesa e veçantë për paketimin dhe etiketimin. Për përgatitjen e transportimit të artikullit, kërkohet konsultimi me një ekspert për materiale të rrezikshme. Ju lutemi respektoni rregullat kombëtare ndoshta më të detajuara. Ngjisni me shirit ngjitës ose mbuloni kontaktet e hapura dhe paketon baterinë në atë mënyrë që të mos lëvizë në paketim.
- Kur flakni baterinë, hiqeni atë nga vegla dhe hidhni në një vend të sigurt. Ndiqui rregulloret tuaja lokale në lidhje me flakjen e baterisë.
- Përdorni bateritë vetëm me produktet e specifikuar nga Makita. Instalimi i baterive në produkte jo në përputhje mund të rezultojë në zjarr, mbinxehje, shpërthim ose rrjedhje të elektrolitit.
- Nëse vegla nuk përdoret për një periudhë kohore të gjatë, bateria duhet të hiqet nga vegla.
- Gjatë dhe pas përdorimit, bateria mund të nxehet, gjë që mund të shkaktojë djegie nga temperatura e lartë ose edhe e ulët. Tregoni kujdes gjatë manovrimit të baterive të nxehta.
- Mos e prekni terminalin e veglës menjëherë pas përdorimit pasi mund të nxehet sa të shkaktojë djegie.
- Mos lejoni ashkla, pluhura ose dhera të mbetura në terminale, vrima dhe kanale të baterisë. Kjo mund të shkaktojë rendiment të ulët ose shkatërrim të veglës ose baterisë.
- Përveçse nëse vegla mbështet përdorimin në afërsi të linjave elektrike me voltazh të lartë, mos e përdorni baterinë në afërsi të linjave elektrike me voltazh të lartë. Kjo mund të shkaktojë defekt ose shkatërrim të veglës ose baterisë.
- Mbjajeni baterinë larg nga fëmijët.

RUAJINI KËTO UDHËZIME.

▲ KUJDES: Përdorni vetëm bateri origjinale Makita. Përdorimi i baterive jo origjinale Makita ose baterive që janë ndryshuar, mund të rezultojë në shpërthimin e baterisë duke shkaktuar zjarr, lëndim , personal dhe dëmtim. Gjithashtu do të anulohë garancinë e Makita për veglën dhe karikuesin Makita.

Këshilla për ruajtje të jetëgjatësisë maksimale të baterisë

1. Karikoni baterinë para se të shkarkohet plotësisht. Ndaloji gjithmonë përdorimin e veglës dhe karikoni baterinë kur vini re një ulje të fuqisë së veglës.
2. Asnjëherë mos karikoni një bateri të karikuar plotësisht. Mbi karikimi shkurton jetëgjatësinë e shërbimit të baterisë.
3. Karikoni baterinë në temperaturën e dhomës në 10 °C - 40 °C (50 °F - 104 °F). Lëreni që bateria e nxehtë të ftohet para se ta karikoni.
4. Kur nuk e përdorni baterinë, hiqeni atë nga vegla ose karikuesi.
5. Karikoni baterinë nëse nuk e përdorni për një periudhë të gjatë (më shumë se gjashtë muaj).

PËRSHKRIMI FUNKSIONAL

▲ KUJDES: Sigurohuni gjithmonë që vegla të jetë e fikur dhe bateria të jetë e hequr para se ta rregulloni ose të kontrolloni funksionin në vegël.

Instalimi ose heqja e baterisë (Fig. 1)

▲ KUJDES: Fikeni gjithmonë veglën para se ta hiqni baterinë.

▲ KUJDES: Mbajeni fort veglën dhe baterinë kur instaloni ose hiqni baterinë. Nëse nuk i mbani veglën dhe e baterinë në mënyrë të sigurt, kjo mund të bëjë që ato t'ju rrëshqasin nga duart dhe të shkaktojnë dëmtim të veglës dhe të baterisë, si dhe lëndime personale.

Për të hequr baterinë, rrëshqiteni atë nga vegla ndërsa rrëshqitni butonin në pjesën e përparme të baterisë. Për të instaluar baterinë, përputheni gjuhëzën e baterisë me kanalën e kasës dhe vendoseni me rrëshqitje. Futeni deri në fund derisa të bllokohet në vend me një klikim të vogël. Nëse mund ta shihni treguesin e kuq siç tregohet në figurë, ai nuk është i kyçur plotësisht.

▲ KUJDES: Gjithmonë instaloni baterinë mirë derisa treguesi i kuq të mos shihet. Nëse nuk e bëni këtë, ajo mund të bjerë aksidentalisht nga vegla, duke shkaktuar lëndime personale ose të dikujt tjetër pranë jush.

▲ KUJDES: Mos instaloni baterinë me forcë: Nëse bateria nuk rrëshqet lehtë, nuk po futet siç duhet.

Tregon kapacitetin e mbetur të baterisë (Fig. 2)

Shtypni butonin e kontrollit në bateri për të treguar kapacitetin e mbetur të baterisë. Llambat treguese ndizen për disa sekonda.

Drita e treguesit			Kapaciteti i mbetur
Ndezur	Fikur	Pulsim	
■	□	▧	
■ ■ ■ ■			75 % deri 100 %
■ ■ ■ □			50 % deri 75 %
■ ■ □ □			25 % deri 50 %
■ □ □ □			0 % deri 25 %
▧ □ □ □			Karikoni baterinë.
■ ■ □ □	↑		Bateria mund të ketë funksionuar keq.
□ □ ■ ■	↓		

SHËNIM: Në varësi të kushteve të përdorimit dhe temperaturës së ambientit, kapaciteti i treguar mund të ndryshojë pak nga kapaciteti aktual.

SHËNIM: Llamba e parë treguese (e fundit majtas) do të pulsojë kur është në funksionim sistemi i mbrojtjes së baterisë.

Ndezja e dritës (Fig. 3)

▲ KUJDES: Mos shikoni drejt dritën dhe mos shikoni drejtpërdrejt në burimin e dritës.

Shtypni butonin e energjisë për ta ndezur dritën. Për ta fikur dritën, shtypni përsëri butonin e energjisë.

SHËNIM: Pajisja ndizet me të njëjtin modalitet si në cilësimin e saj të fundit.

Zgjedhja e modalitetit

Ndërsa drita është e ndezur, shtypni butonin e **MODALITETIT** për të kaluar me radhë në cilësimet e pikës, zgjerimit dhe pikës + zgjerimit.

Ndizni dritën stroboskopike (Fig. 4)

Mbani të shtypur butonin e **MODALITETIT** deri sa pajisja të kalojë te modaliteti **stroboskopik**. Për ta fikur modalitetin **stroboskopik**, thjesht shtypni butonin e **MODALITETIT**.

Pajisjet / sistemi i mbrojtjes së baterisë

Kjo pajisje është e pajisur me sistem mbrojtje, i cili e ndërpret automatikisht energjinë dalëse për një jetëgjatësi më të madhe shërbimi.

Mbrojtja nga shkarkimi i tepërt (Fig. 5)

Kur kapaciteti i baterisë është i ulët, dritat LED fiken përveç një LED. Pastaj afërsisht pesë deri në dhjetë minuta me vonë, sistemi automatikisht ndërpret rrymën.

Mbrojtje ndaj shkaqeve të tjera

Sistemi i mbrojtjes është dizajnuar gjithashtu për shkaqe të tjera që mund të dëmtojnë pajisjen dhe lejon që pajisja të ndalohet automatikisht. Merrni të gjitha hapat e mëposhtëm për të gjetur shkaqet kur pajisja është ndalur për kohësisht ose është ndalur në punë.

1. Fikeni pajisjen dhe më pas ndizeni përsëri për të rifilluar.
2. Karikoni baterinë (bateritë) ose zëvendësoni me bateri të ringarkuar(a).
3. Lëreni pajisjen dhe baterinë(të) të ftohen.
Nëse nuk ka asnjë përmirësim duke rivendosur sistemin e mbrojtjes, atëherë kontaktoni qendrën tuaj lokale të shërbimit Makita.

Këndi i kokës (Fig. 6)

▲ KUJDES: Kur ndryshoni këndin e kokës, tregoni kujdes që të mos kapni gishtat mes kokës dhe trupit të veglës.

Këndi i kokës mund të rregullohet në 4 faza.

Çengeli (Fig. 7)

⚠ KUJDES: Kur ngrini çengelin, tregoni kujdes që të mos kapni gishtat mes çengelit dhe trupit të veglës.

Rripi i supit (Fig. 8)

Rripi i supit mund të instalohet me anë të kapëseve në të dyja skajet.

⚠ KUJDES: Mos e përdorni hallkë për ndonjë qëllim tjetër përveç varjes së pajisjes. Përndryshe mund të ndodhë plagosje personale.

MIRËMBAJTJA

⚠ KUJDES: Sigurohuni gjithmonë që vegla të jetë e fukur dhe bateria të jetë e hequr para se të përpqeni të kryeni mirëmbajtjen ose inspektimin e saj.

NJOFTIM: Asnjëherë mos përdorni benzinë, vajguri, hollues, alkool ose të ngjashme. Si rezultat mund të ketë çngjyrosje, deformim ose çarje.

Për të ruajtur QËNDRUESHMËRINË dhe SIGURINË e produktit, riparimet dhe çdo rregullim ose mirëmbajtje tjetër duhet të kryhen nga qendrat e shërbimit të fabrikës ose të autorizuara nga Makita, duke përdorur gjithmonë pjesë ndërrimi Makita.

AKSESORË OPSIONALE

⚠ KUJDES: Këta aksesore rekomandohen për përdorim për veglën tuaj Makita të specifikuar në këtë manual. Përdorimi i ndonjë aksesori ose pjese shtesë mund të paraqesë rrezik lëndimi të personave. Përdorni vetëm aksesorin ose pjesën shtesë për qëllimin e deklaruar të tij.

Nëse keni nevojë për ndihmë për më shumë detaje në lidhje me këta aksesore, pyesni në Qendrën lokale të shërbimit të kompanisë Makita.

- Bateria dhe karikues origjinal Makita.

SHËNIM: Disa artikuj në listë mund të jenë të përfshirë në paketimin e veglës si aksesore standardë. Këto mund të ndryshojnë nga një vend në tjetrin.

БЪЛГАРСКИ (Оригинални инструкции)

Обяснение на общия изглед

- | | | | |
|--|-----------------------|--|---------------|
| 1. Модул на батерията | 5. Бутон за проверка | 9. Режим „Насочена светлина + Прожектор“ | 12. Презрамка |
| 2. Червен индикатор | 6. Бутон за включване | 10. Режим „Насочена светлина“ | 13. Клип |
| 3. Бутон за освобождаване на батерията | 7. Бутон MODE (РЕЖИМ) | 11. Кука | |
| 4. Индикаторни лампи | 8. Режим „Прожектор“ | | |

СПЕЦИФИКАЦИИ

Модел	ML007G
LED	Насочена светлина: 1 бр. /Прожектор: 16 бр. (Стробиране: 17 бр.)
Размери (Д × Ш × В)	323 мм × 120 мм × 118 мм
Номинално напрежение	Постоянен ток 36 V-40 V максимално
Нетно тегло (без модула на батерията и презрамка)	0,95 kg

- Поради постоянната ни програма за проучвания и разработки, спецификациите, описани тук, подлежат на промяна без предизвестие.
- Спецификациите могат да се различават в различните държави.
- Размерите са с BL4025 и с главата напред.

Приложими модул на батерията и зарядно устройство

Модул на батерията	BL4020 / BL4025 / BL4040 / BL4050F / BL4080F
Зарядно устройство	DC40RA / DC40RB / DC40RC

- Някои от изброените по-горе модули на батерии може да не са налични в зависимост от региона, в който живеете.

▲ ПРЕДУПРЕЖДЕНИЕ: Използвайте само горе спомените касети на батерията и зарядни устройства. Използването на каквито и да е други модули на батерии или зарядни устройства може да причини нараняване и/или пожар.

Време за работа

Модул на батерията	Време за работа (Приблизително)			
	Насочена светлина	Прожектор	Насочена светлина + Прожектор	Стробиране
BL4020	5,0 часа	5,0 часа	3,5 часа	5,0 часа
BL4025	6,5 часа	6,5 часа	4,5 часа	6,5 часа
BL4040	10 часа	10 часа	7,5 часа	10 часа
BL4050F	13 часа	13 часа	9,5 часа	13 часа
BL4080F	22 часа	22 часа	16 часа	22 часа

- Времето за работа в горната таблица е за обща насока. То може да се различава от действителното време за работа.
- Времето за работа може да се различава в зависимост от типа на батерията, състоянието на зареждане и условията на използване.
- Модулът на батерията може да се различава в различните държави.

Символи

Следното показва символите, използвани за оборудването. Уверете се, че сте разбрали значението им преди употреба.



- Прочетете ръководството с инструкции



- За използване единствено на закрито



- Единствено за страни от ЕС
Заради наличието на опасните компоненти в оборудването, отпадъците от електрическо и електронно оборудване, акумулатори и батерии могат да правят отрицателно въздействие върху околната среда и човешкото здраве.

Не изхвърляйте електрически и електронни уреди или батерии с битови отпадъци!
В съответствие с Европейската директива за отпадъчно електрическо и електронно оборудване и за акумулатори и батерии и отпадъчни акумулатори и батерии, както и тяхното адаптиране към националното законодателство, отработеното електрическо оборудване, батериите и акумулаторите трябва да се съхраняват отделно и да се доставят до отделен пункт за събиране за битови отпадъци, работещи в съответствие с нормативната уредба за опазване на околната среда. Това се обозначава със символа на зачеркнатия кош на колела, поставен на оборудването.



- Оптично лъчение (UV и IR).
Светете до минимум излагането на очите или кожата.



- Не гледайте директно към работеща лампа.



- Използвайте подходящи предпазни средства или защита за очите.



- Обърнете специално внимание и бъдете предпазливи!

ПРЕДУПРЕЖДЕНИЯ ЗА БЕЗОПАСНОСТ

ВАЖНИ ИНСТРУКЦИИ ЗА БЕЗОПАСНОСТ

▲ ПРЕДУПРЕЖДЕНИЕ: Когато използвате електрически инструменти, винаги трябва да се спазват основните мерки за безопасност, за да се намали рискът от пожар, токов удар и телесни повреди, както и следното:

ПРОЧЕТЕТЕ ВСИЧКИ ИНСТРУКЦИИ.

1. Не гледайте директно към светлината и не излагайте очите на светлината. Очите могат да бъдат увредени.
2. Не покривайте лампата с кърпа или картонена опаковка и т.н. В противен случай е възможна появата на пламък.
3. Уредът не е водоустойчив. Не използвайте на мокри или влажни места. Не излагайте на дъжд или сняг. Не измивайте във вода.
4. Не докосвайте вътрешността на уреда с пинсети, метални инструменти и т.н.
5. Когато уредът не се използва, винаги го изключвайте и изваждайте модула на батерията от него.
6. Не подлагайте уреда на разтърсване от падане, удари и т.н.
7. Информация относно безопасността при преносими осветителни тела с батерии.
 - Изхвърлянето на батериите трябва да се извършва съгласно местните закони и наредби относно изхвърлянето на опасни материали.
 - Не изгаряйте батерията.
8. Допълнителна информация относно осветителни тела.
 - Източникът на светлина на осветителното тяло не е заменяем; когато светлинният източник достигне края на живота си, цялото осветително тяло ще се смени.
9. Използване и грижа за инструмента на батерии.
 - **ПРЕДУПРЕЖДЕНИЕ:** Прочетете всички предупреждения за безопасност и инструкции.
 - Неспазването на предупрежденията и инструкциите може да доведе до токов удар, пожар и/или сериозни наранявания.
 - Предотвратете неволно стартиране. Уверете се, че превключвателят е в изключено положение, преди да свържете комплекта батерии, да повдигнете или да пренесете уреда. Носенето на уреда с пръст върху превключвателя или енергизирането на уред с включен превключвател е предпоставка за инциденти.
 - Изключете комплекта батерии от уреда, преди да извършвате каквито и да било настройки, да смените аксесоарите или да оставите уреда за съхранение. Такива превантивни мерки за безопасност намаляват риска от случайно включване на уреда.
 - Презареждайте единствено със зарядното устройство, посочено от производителя. Зарядното устройство, подходящо за един тип комплект батерии, може да създаде риск от пожар, когато се използва с друг комплект батерии.

- Използвайте уреди само със специално обозначените комплекти батерии. Използването на всякакви други комплекти батерии може да създаде риск от нараняване и пожар.
- Когато комплектът батерии не се използва, дръжте го далеч от други метални предмети, като кламери, монети, ключове, пирони, винтове или други малки метални предмети, които могат да осъществят връзка между единия и другия терминал. Късото съединение при свързване на терминалите на батерията един към друг може да причини изгаряне или пожар.
- При неподходящи условия от батерията може да бъде изхвърлена течност; избягвайте контакт. Ако случайно настъпи контакт, промийте мястото с вода. Ако течността влезе в контакт с очите, потърсете медицинска помощ. Изхвърлената от батерията течност може да причини дразнене или изгаряне.
- Не използвайте повреден или модифициран уред или комплект батерии. Повредените или модифицирани батерии могат да проявят непредвидимо поведение, което да доведе до пожар, експлозия или риск от нараняване.
- Не излагайте комплект батерии или уред на огън или прекомерна температура. Излагането на огън или температура над 130 °C (265 °F) може да причини експлозия.
- Следвайте всички инструкции за зареждане и не зареждайте комплекта батерии или уреда извън температурния диапазон, посочен в инструкциите. При неправилно зареждане или при температури извън определения диапазон батерията може да бъде повредена и това да увеличи риска от пожар.
- Необходимо е уредът да бъде обслужван от квалифициран ремонтен персонал, използващ само идентични резервни части. Това ще гарантира запазването на безопасността на продукта.
- Не модифицирайте и не правете опити да ремонтирате уреда или комплекта батерии по начин, различен от указания в инструкциите за употреба и безопасност.

Важни инструкции за безопасност за модула на батерията

- Преди да използвате модула на батерията, прочетете всички инструкции и предпазните маркировки върху (1) зарядното устройство, (2) батерията и (3) продуктът, използваш батерията.
- Не разглобявайте или променяйте по друг начин модула на батерията. Това може да доведе до пожар, прекомерна топлина или експлозия.
- Ако времето за работа е станало прекомерно кратко, прекратете работата незабавно. Това може да доведе до риск от прегряване, възможни изгаряния и дори експлозия.
- Веднага потърсете медицинска помощ и изплакнете с вода, ако в очите Ви попадне електролит. Това може да доведе до загуба на Вашето зрение.
- Не предизвиквайте късо съединение в модула на батерията.
 - (1) Не докосвайте терминалите с проводим материал.
 - (2) Избягвайте съхранението на модула на батерията в контейнер с други метални предмети, като пирони, монети и др.
 - (3) Не излагайте модула на батерията на вода или дъжд. Късото съединение в батерията може да доведе до голям токов поток, прегряване, възможни изгаряния и дори повреда.
- Не съхранявайте и не използвайте инструмента и модула на батерията на места, където температурата може да достигне или да надвиши 50 °C (122 °F).
- Не изгаряйте модула на батерията, дори ако той е изключително повреден или е напълно износен. Поставен в огън, модулът на батерията може да експлодира.
- Не пробивайте с пирони, не режете, не смачквайте, не хвърляйте и не изпускайте модула на батерията и не удряйте модула на батерията в твърди обекти. Този вид действия може да доведат до пожар, прекомерна топлина или експлозия.
- Не използвайте повредена батерия.
- Добавените литиево-йонни батерии са обект на изискванията на законодателството за опасни стоки. За търговски превози – напр. от трети страни, следитори – трябва да се спазват специални изисквания за опаковане и етикетирание. Необходимо е да се консултирате с експерт по опасни материали по отношение на подготовката по изпращането на артикула. Моля, също така спазвайте наличните по-детайлни национални разпоредби. Поставете тиксо или изолирайте отворените контактни пластини и опаковайте батерията по такъв начин, че тя да не може да се движи в опаковката.
- При изхвърляне на батерията, извадете я от уреда и я изхвърлете на безопасно място. Следвайте местните разпоредби относно изхвърлянето на батерията.
- Използвайте батериите само с продуктите, посочени от Makita. Поставянето на батериите в несъответстващи продукти може да доведе до пожар, прекомерна топлина, експлозия или изтичане на електролит.
- Батерията трябва да бъде извадена от инструмента, ако той не се използва за дълъг период от време.
- По време на употреба и след употреба модулът на батерията може да се нагрее, което може да доведе до изгаряния или нискотемпературни изгаряния. Внимавайте при боравенето с горещи модули на батерии.
- Не докосвайте терминала на инструмента непосредствено след употреба, понеже той може да се нагорещи до степен да причини изгаряния.
- Не допускайте натрупването на стърготини, прах или пръст в терминалите, отворите и жлебовете на модула на батерията. Това може да доведе до лошо функциониране или повреда на инструмента или на модула на батерията.
- Не използвайте модула на батерията в близост до електропроводни линии за високо напрежение освен в случаите когато инструментът позволява използване в близост до такива линии. Това може да доведе до неизправност или повреда на инструмента или на модула на батерията.
- Не позволявайте на деца да имат достъп до батерията.

ЗАПАЗЕТЕ ТЕЗИ ИНСТРУКЦИИ.

⚠ ВНИМАНИЕ: Използвайте единствено оригинални батерии на Makita. Използването на неоригинални батерии Makita или батерии, които са променени, може да доведе до спукване на батерията, което да причини пожари, телесни наранявания и повреди. Това също така ще анулира гаранцията Makita за инструмента и зарядното устройство Makita.

Съвети за поддържане на максимално дълъг живот на батерията

1. Заредете модула на батерията, преди да се разрези напълно. Винаги спирайте работа и зареждайте модула на батерията, когато забележите по-малка мощност от страна на инструмента.
2. Никога не презареждайте напълно зареден модул на батерията. Прекомерното зареждане скъсява експлоатационния живот на батерията.
3. Зареждайте модула на батерията при стайна температура от 10 °C – 40 °C (50 °F – 104 °F). Оставете горещия модул на батерията да изстине, преди да го заредите.
4. Изваждайте модула на батерията от уреда или от зарядното устройство когато не го използвате.
5. Заредете модула на батерията, ако не я използвате за дълъг период от време (повече от шест месеца).

ФУНКЦИОНАЛНО ОПИСАНИЕ

⚠ ВНИМАНИЕ: Винаги се уверявайте, че инструментът е изключен и че модулът на батерията е отстранен, преди да настроите или да проверите дадена функция на инструмента.

Поставяне или отстраняване на модула на батерията (Fig. 1)

⚠ ВНИМАНИЕ: Винаги изключвайте инструмента, преди да отстраните модула на батерията.

⚠ ВНИМАНИЕ: Дръжте инструмента и модула на батерията здраво, когато поставяте или отстранявате модула на батерията. Ако не дръжите здраво инструмента и модула на батерията, те могат да се изплъзнат от ръцете Ви, а това да доведе до повреда на инструмента и модула на батерията, както и до телесна повреда.

За да отстраните модула на батерията, плъзнете я от инструмента, докато плъзгате бутона върху

предната страна на модула. За да монтирате модула на батерията, изравнете езичето на модула на батерията с жлеба в корпуса и го поставете на място. Поставете го докрай, докато се застопори на място с леко щракване. Ако можете да видите червения индикатор, както е показано на фигурата, той не е заключен напълно.

⚠ ВНИМАНИЕ: Винаги поставяйте модула на батерията докрай, докато червеният индикатор не може да се види. Ако не го направите, той може случайно да изпадне от инструмента и да причини нараняване на Вас или на някого около Вас.

⚠ ВНИМАНИЕ: Не поставяйте насилствено модула на батерията. Ако модулът не се плъзне лесно, значи не е поставен правилно.

Обозначаване на оставащия капацитет на батерията (Fig. 2)

Натиснете бутона за проверка върху модула на батерията, за да се покаже оставащият капацитет на батерията. Индикаторните лампи светват за няколко секунди.

Индикаторни лампи			Оставащ капацитет
Осветени	Изключени	Мигащи	
■ ■ ■ ■	□ □ □ □	◻ ◻	75 % до 100 %
■ ■ ■ □	□ □ □ □	◻ ◻	50 % до 75 %
■ ■ □ □	□ □ □ □	◻ ◻	25 % до 50 %
■ □ □ □	□ □ □ □	◻ ◻	0 % до 25 %
◻ □ □ □	□ □ □ □	◻ ◻	Заредете батерията.
■ ■ □ □	□ □ □ □	◻ ◻	Възможно е батерията да е била в неизправност.

ЗАБЕЛЕЖКА: В зависимост от условията на употреба и температурата на околната среда, индикацията може слабо да се различава от действителния капацитет.

ЗАБЕЛЕЖКА: Първата (най-вляво) индикаторна лампа ще примигва, когато системата за защита на батерията работи.

Включване на светлината (Fig. 3)

⚠ ВНИМАНИЕ: Не гледайте директно към светлината, нито пък към нейния източник.

Натиснете бутона за включване, за да включите светлината. За да изключите светлината, натиснете повторно бутона за включване.

ЗАБЕЛЕЖКА: Уредът се включва в същия, последно настроен, режим.

Избиране на режима

Докато светлината е включена, натиснете бутон **MODE (РЕЖИМ)**, за да обходите настройките **spot** (насочена светлина), **flood** (прожектор) и **spot + flood** (насочена светлина + прожектор).

Включване на стробиращата светлина (Fig. 4)

Натиснете и задръжте бутон **MODE (РЕЖИМ)**, докато уредът премине на режим **strobe** (стробиране). За да изключите режим **strobe** (стробиране), просто натиснете бутон **MODE (РЕЖИМ)**.

Уреда / система за защита на машината / батерията

Уреда е оборудван със система за защита, която автоматично изключва изходната мощност за постигане на дълъг експлоатационен живот.

Защита от претоварване (Fig. 5)

Когато капацитетът на батерията стане нисък, LED светлините изгасват с изключение на един светодиода. След приблизително пет до десет минути по-късно системата автоматично изключва захранването.

Защита срещу други причини

Системата за защита е проектирана и за други причини, които могат да повредят уреда и позволяват уреда да спре автоматично. вземайте всички следните стъпки, за да изчистите причините, когато уредът е бил временно спрял или спрял да работи.

1. Изключете уреда и следователно го включете отново, за да го рестартирате.
2. Заредете батериите или ги сменете с презаредени батерии.
3. Оставете уреда и батерията(ите) да изстинат. Ако не се намери подобрене чрез възстановяване на системата за защита, свържете се с местния сервизен център на Makita.

Ъгъл на главата (Fig. 6)

⚠ ВНИМАНИЕ: Когато сменяте ъгъла на главата, внимавайте да не прищипете пръстите си между главата и корпуса на инструмента.

Ъгълът на главата може да бъде настроен на 4 нива.

Кука (Fig. 7)

⚠ ВНИМАНИЕ: Когато повдигате куката, внимавайте да не прищипете пръстите си между куката и корпуса на инструмента.

Презрамка (Fig. 8)

Презрамката може да бъде монтирана с фиксатори от двата края.

⚠ ВНИМАНИЕ: Не използвайте пръстена за друга цел, освен за окачване на уреда. В противен случай може да възникне телесна повреда.

ПОДДРЪЖКА

⚠ ВНИМАНИЕ: Винаги се уверявайте, че инструментът е изключен и че модулът на батерията е отстранен, преди да се опитате да извършите преглед или поддръжка.

ИЗВЕСТИЕ: Никога не използвайте бензин, бензен, разреждител, алкохол или други подобни. Възможно е получаването на промяна в цвета, деформация или напукване.

За да запазите БЕЗОПАСНОСТТА и НАДЕЖНОСТТА на продукта, ремонтът, както и всяка друга поддръжка или настройка, трябва да се извършва от оторизирани или фабрични сервизни центрове на Makita, като винаги се използват резервни части на Makita.

ДОПЪЛНИТЕЛНИ АКСЕСОАРИ

⚠ ВНИМАНИЕ: Тези аксесоари или приставки се препоръчват за използване с Вашия инструмент на Makita, посочен в това ръководство. Използването на други аксесоари или приставки може да бъде предпоставка за риск от нараняване на хора. Използвайте аксесоар или приставка единствено според посоченото предназначение.

Ако имате нужда от помощ по отношение на повече подробности относно тези аксесоари, попитайте местния сервизен център на Makita.

- Оригинална батерия и зарядно устройство Makita.

ЗАБЕЛЕЖКА: Някои елементи от списъка могат да бъдат включени в пакета с инструмента като стандартни аксесоари. Те могат да се различават в различните държави.

Hrvatski (Originalne upute)

Objašnjenje općenitog prikaza

- | | | | |
|------------------------------------|---|---|----------------|
| 1. Uložak s baterijom | 5. Gumb za provjeru | 8. Modus širokog osvjetljenja | 12. Naramenica |
| 2. Crveni indikator | 6. Gumb za uključivanje/
isključivanje | 9. Modusi točkastog + širokog
osvjetljenja | 13. Klip |
| 3. Gumb za oslobađanje
baterije | 7. Gumb MODE | 10. Modus točkasto: | |
| 4. Lampice indikatora | 8. Modus širokog osvjetljenja | 11. Kuka | |

SPECIFIKACIJE

Model	ML007G
LED	Točkasto: 1 kom. / Široko osvjetljenje: 16 kom. (Bljeskalica: 17 kom.)
Veličina (D × Š × V)	323 mm × 120 mm × 118 mm
Nazivni napon	D.C. 36 V - 40 V maks.
Neto težina (bez uložka s baterijom i traka za rame m)	0,95 kg

- Zbog našeg kontinuiranog programa istraživanja i razvoja navedene se specifikacije mogu promijeniti bez obavijesti.
- Specifikacije se mogu razlikovati od zemlje do zemlje.
- Dimenzije su s BL4025 i s glavom okrenutom prema naprijed.

Relevantni uložak s baterijom i punjač

Uložak s baterijom	BL4020 / BL4025 / BL4040 / BL4050F / BL4080F
Punjač	DC40RA / DC40RB / DC40RC

- Neki od gore navedenih uložaka s baterijom možda neće biti dostupni ovisno o vašoj regiji prebivanja.

⚠ UPOZORENJE: Koristite samo gore navedene uloške s baterijama i punjače. Korištenje nekih drugih uložaka s baterijom ili punjača može dovesti do povrede i/ili požara.

Vrijeme rada

Uložak s baterijom	Radno vrijeme (približno)			
	Točkasto	Široko osvjetljenje	Točkasto i široko osvjetljenje	Bljeskalica
BL4020	5,0 sati	5,0 sati	3,5 sati	5,0 sati
BL4025	6,5 sati	6,5 sati	4,5 sati	6,5 sati
BL4040	10 sati	10 sati	7,5 sati	10 sati
BL4050F	13 sati	13 sati	9,5 sati	13 sati
BL4080F	22 sati	22 sati	16 sati	22 sati

- Vrijeme rada u gornjoj tablici su približna smjernica. Može se razlikovati od stvarnog vremena rada.
- Radna vremena se mogu razlikovati ovisno o vrsti baterije, statusu punjenja i stanju korištenja.
- Uložak s baterijom može se razlikovati od zemlje do zemlje.

Simboli

Sljedeće slike prikazuju simbole koji se koriste za opremu. Pobrinite se da razumijete njihovo značenje prije uporabe.



- Pročitajte priručnik s uputama



- Samo za uporabu u zatvorenom



- Samo za zemlje EU
Zbog prisustva opasnih komponenti u opremi, otpadna električna i elektronička oprema, akumulatori i baterije mogu imati negativan utjecaj na okoliš i zdravlje ljudi. Ne bacajte električne i elektroničke uređaje ili baterije s kućnim otpadom!
U skladu s Europskom direktivom o otpadnoj električnoj i elektroničkoj opremi i o akumulatorima i baterijama i otpadnim akumulatorima i baterijama, kao i njihovom prilagodbom nacionalnom zakonu, otpadnu električnu opremu, baterije i akumulatore treba odvojeno čuvati i dostaviti na posebno sabirno mjesto za komunalni otpad, radeći u skladu s propisima o zaštiti okoliša. To je pokazano simbolom prekržižene kante na kotačima postavljenim na opremi.



- Optička radijacija (UV i IC)
Minimalno izlaganje očju ili kože.



- Ne gledati u radnu lampu.



- Koristite odgovarajuću zaštitu ili štitnik za oči.



- Budite iznimno oprezni!

SIGURNOSNA UPOZORENJA

VAŽNE SIGURNOSNE UPUTE

▲ UPOZORENJE: Kad koristite električne alate, uvijek treba slijediti osnovne sigurnosne mjere opreza kako bi se smanjio rizik od požara, strujnog udara i ozljeda, uključujući sljedeće:

PROČITAJTE SVE UPUTE.

1. Nemojte gledati u svjetlo i ne izlažite svjetlo očima. Moguća su oštećenja očju.
2. Nemojte tkaninom, kartonom i sl. prekrivati lampu. U protivnom bi moglo doći do požara.
3. Uređaj nije otporan na vodu. Nemojte ga koristiti na vlažnim ili mokrim mjestima. Nemojte ga izlagati kiši ili snijegu. Ne perite ga u vodi.
4. Ne dodirujte unutrašnjost uređaja pincetom, metalnim alatom, itd.
5. Kad se uređaj ne koristi uvijek ga isključite i izvadite uložak s baterijom iz uređaja.
6. Nemojte izlagati uređaj udarcima tako da ga ispustite, udarite, itd.
7. Sigurnosne informacije za prijenosna rasvjetna tijela s baterijama.
- Odlaganje baterija mora biti sukladno vašim lokalnim propisima koja se odnose na odlaganje opasnih materijala.
- Nemojte spaljivati bateriju.
8. Dodatne informacije za rasvjetna tijela.
- Izvor svjetlosti ove svjetiljke nije zamjenjiv; kada izvor svjetlosti dođe do kraja svojeg životnog vijeka, cijela se svjetiljka treba zamijeniti.
9. Korištenje i održavanje opreme na baterije.
- UPOZORENJE: Pročitajte sva sigurnosna upozorenja i upute. Ne pridržavanje upozorenja i uputa može dovesti do udara električne struje, požara i/ili ozbiljne ozljede.
- Sprječite nenamjerno paljenje. Provjerite je li sklopka u „off“ poziciji prije nego spojite s baterijom, prije nego dižete ili nosite uređaj. Nošenje uređaja s prstom na sklopci ili uključivanje u struju uređaja na kojem je sklopka u „on“ poziciji, izazivanje je nezgode.
- Iskopčajte uložak s baterijom prije bilo kakvih podešavanja, izmjene podataka ili spremanja električnog uređaja. Ove preventivne sigurnosne mjere smanjuju rizik od slučajnog uključivanja uređaja.
- Napunite samo s punjačem kojeg je preporučio proizvođač. Punjač koji odgovara jednoj vrsti baterija može prouzročiti vatru ako se koristi s drugim baterijama.
- Koristite uređaj samo s baterijama koje su za to namijenjene. Korištenje nekih drugih baterija može dovesti do opasnosti od povrede ili vatre.
- Kad se baterije ne koriste, držite ih što dalje od drugih metalnih predmeta, kao što su spajalice, kovanice, čavli, šarafi ili drugi mali metalni predmeti, koji bi mogli napraviti spoj između jednog i drugog terminala. Kratki spoj između terminala baterije može dovesti do opekotina ili vatre.

- U slučaju nasilnog postupanja s baterijom, tekućina može izaći iz baterije, izbjegavajte kontakt. Ako slučajno dođe do kontakta, isperite vodom. Ako tekućina dođe u kontakt s očima, zatražite i dodatnu medicinsku njegu. Tekućina koja izađe iz baterije može dovesti do nadražaja ili opekotina.
- Nemojte koristiti uložak s baterijom ili uređaj koji je oštećen ili izmijenjen. Oštećene ili izmijenjene baterije se mogu ponašati nepredvidivo, što može uzrokovati požar, eksploziju ili rizik od ozljede.
- Uložak s baterijom ili uređaj nemojte izlagati vatri ili previsokoj temperaturi. Izlaganje vatri ili temperaturi iznad 130 °C (265 °F) može uzrokovati eksploziju.
- Slijedite sve upute za punjenje i nemojte puniti uložak s baterijom ili uređaj izvan temperaturnog raspona navedenog u uputama. Nepravilno punjenje ili punjenje na temperaturi izvan navedenog raspona može oštetiti uređaj i povećati opasnost od požara.
- Uređaj treba servisirati kvalificirano osoblje za popravke koristeći samo identične zamjenske dijelove. To će osigurati da proizvod bude siguran.
- Nemojte mijenjati ili pokušavati popraviti uređaj ili uložak s baterijom, osim kako je navedeno u uputama za korištenje i njegu.

Važne sigurnosne upute za uložak s baterijom

- Prije uporabe uložka s baterijom pročitajte sve upute i oznake za oprez na (1) punjaču za bateriju, (2) bateriji i (3) proizvodu koji koristi bateriju.
- Nemojte rastavljati niti mijenjati uložak s baterijom. To može dovesti do požara, pretjerane topline ili eksplozije.
- Ako se radno vrijeme značajno skрати, odmah prestanite s radom. To može dovesti do rizika od pregrijavanja, opekline, pa čak i eksplozije.
- Ako vam u oči dospiju elektroliti, isperite ih čistom vodom i odmah potražite medicinsku pomoć. To može dovesti do gubitka vida.
- Nemojte kratko spajati uložak s baterijom.
- (1) Nemojte dodirivati terminale provodnim materijalom.
- (2) Izbjegavajte pohranu uložka s baterijom u spremnik s drugim metalnim predmetima, poput čavala, kovanica, itd.
- (3) Nemojte uložak s baterijom izlagati vodi ili kiši. Kratki spoj baterije može dovesti do proboja struje, pregrijavanja, opekline, pa čak i do kvara.
- Alat i uložak s baterijom nemojte pohranjivati ni rabiti na mjestima na kojima temperatura može prijeći 50 °C (122 °F).
- Nemojte spaljivati uložak s baterijom čak i ako je jako oštećen ili potpuno istrošen. Uložak s baterijom može eksplodirati u vatri.
- Nemojte prignječiti, pritiskivati, bacati ili ispuštati uložak s baterijom, niti njime udarati od tvrde predmete. Takvo ponašanje može dovesti do požara, pretjerane topline ili eksplozije.
- Ne popravljajte oštećenu bateriju.

- Uključene litij-ionske baterije podliježu zahtjevima Zakona o opasnim dobrima. Za komercijalni transport putem npr. trećih strana, posredničkih agenata, moraju se poštovati posebni zahtjevi o pakiranju i označavanju. Kako biste stavku pripremili za isporuku, potrebno je obratiti se stručnjaku za opasne materijale. Također imajte na umu moguće detaljnije nacionalne propise. Zalijepite ili prekritje sve otvorene kontakte i zapakirajte bateriju tako da se ne može pomjerati unutar paketa.
- Kada odlažete baterijski uložak, izvadite ga iz uređaja i odložite na sigurno mjesto.
- Slijedite lokalne propise glede odlaganja baterije.
- Baterije koristite samo s proizvodima koje odredi Makita. Ugradnja baterija za nesukladne proizvode može dovesti do požara, previsoke topline, eksplozije ili curenja elektrolita.
- Ako se alat ne koristi dulje vrijeme, bateriju treba izvaditi iz alata.
- Tijekom ili nakon korištenja uložak s baterijom može preuzeti toplinu, što može dovesti do opekline ili ozeblina. Pazite kako rukujete ulošcima s baterijom.
- Nemojte dodirivati terminal alata odmah nakon upotrebe jer se može zagrijati dovoljno da uzrokuje opekline.
- Pazite da krhotine, prašina ili zemlja ne dospiju u terminale, otvore i utore na ulošku s baterijom. To može dovesti do slabijeg rada ili kvara alata ili uložka s baterijom.
- Osim ako alat podržava korištenje obližnjih visokonaponskih strujnih vodova, nemojte koristiti uložak s baterijom u njihovoj blizini. To može dovesti do kvara ili oštećenja alata ili uložka s baterijom.
- Držite bateriju dalje od djece.

SAČUVAJTE OVE UPUTE.

⚠OPREZ: Koristite isključivo Makita baterije. Uporaba baterija koje nisu original Makita ili baterija koje su mijenjanje može dovesti do pucanja baterije što može uzrokovati požar, ozljedu ili štetu. To će također poništiti Makita jamstvo za alat Makita i punjač.

Savjeti za maksimalno trajanje baterije

1. Uložak s baterijom napunite prije nego se potpuno isprazni. Uvijek prekinite rad alata i napunite uložak s baterijom kad primijetite slabiju snagu uređaja.
2. Nikad nemojte puniti posve pun uložak s baterijom. Prepunjavanje skraćuje trajanje baterije.
3. Uložak s baterijom puniti na sobnoj temperaturi od 10 °C - 40 °C (50 °F - 104 °F). Ostavite da se uložak s baterijom ohladi prije nego ga počnete puniti.
4. Kad ne koristite uložak s baterijom, izvadite ga iz uređaja ili punjača.
5. Uložak s baterijom napunite ako ga niste koristili dulje vrijeme (više od 6 mjeseci).

FUNKCIONALNI OPIS

⚠ OPREZ: Uvijek pazite da je alat isključen, iskopčan, te da je baterija uklonjena prije prilagođavanja ili provjere njegove funkcije.

Postavljanje ili uklanjanje uložka s baterijom (Fig. 1)

⚠ OPREZ: Uvijek isključite alat prije uklanjanja uložka baterije.

⚠ OPREZ: Alat i uložak s baterijom držite čvrsto kad postavljate ili uklanjate uložak s baterijom.

Ako alat i uložak s baterijom ne držite čvrsto, mogu vam iskliznuti iz ruke, što može dovesti do oštećenja alata i uložka s baterijom, te ozljeda.

Kako biste uklonili uložak s baterijom kliznite ga s alata kliznuvši gumb s prednje strane uložka. Za umetanje uložka s baterijom poravnajte jezičac na uložku s baterijom sa ulomom na kućištu i kliznite ga na mjesto. Umetnite ga do kraja dok se ne blokira na mjestu laganim klikom. Ako možete vidjeti crveni indikator kao što je prikazano na slici, nije potpuno zaključan.

⚠ OPREZ: Uložak s baterijom uvijek umetnite do kraja, dok crveni indikator prestane biti vidljiv. Ako nije tako, može slučajno ispasti iz alata, uzrokujući ozljede vama ili nekome oko vas.

⚠ OPREZ: Nemojte uložak s baterijom umetati na silu. Ako ne ulazi lagano, ne umećete ga ispravno.

Pokazivanje preostalog kapaciteta baterije (Fig. 2)

Pritisnite gumb za provjeru na uložku s baterijom kako biste pokazali preostali kapacitet baterije. Lampica indikatora se uključuje na nekoliko sekundi.

Lampice indikatora			Preostali kapacitet
Osvijetljeno	Isključeno	Bljeska	
■	□	▣	
■ ■ ■ ■			75 % do 100 %
■ ■ ■ □			50 % do 75 %
■ ■ □ □			25 % do 50 %
■ □ □ □			0 % do 25 %
▣ □ □ □			Napunite bateriju.
■ ■ □ □	↑ ↓		Baterija je možda u kvaru.
□ □ ■ ■			

NAPOMENA: Ovisno o uvjetima korištenja i okolnoj temperaturi, indikacija se može malo razlikovati od stvarnog kapaciteta.

NAPOMENA: Prva (krajna lijeva) lampica indikatora će bljeskati dok sustav za zaštitu baterije radi.

Paljenje svjetla (Fig. 3)

⚠ OPREZ: Nemojte gledati u svjetlo niti izravno gledati u izvor svjetla.

Gurnite gumb za napajanje da biste uključili svjetlo. Za isključivanje svjetla ponovno gurnite gumb za napajanje.
NAPOMENA: Naprava se uključuje u istom načinu rada s posljednjim postavkama.

Odabir načina rada

Dok je svjetlo uključeno pritisnite gumb **MODE** da biste prolazili postavke **točkasto**, **flood** i **točkasto + flood**.

Uključivanje bljeskalice (Fig. 4)

Pritisnite u zadržite gumb **MODE** dok se naprava ne uključi u način rada **bljeskalice**. Isključite način rada **bljeskalice** i samo pritisnite gumb **MODE**.

Sustav za zaštitu uređaj / baterije

Uređaj je opremljen sustavom zaštite koji automatski isključuje izlaznu snagu za dulji vijek trajanja.

Zaštita od prekomjernog pražnjenja (Fig. 5)

Kada kapacitet baterije postane nizak, LED svjetla se gase osim jedne LED. Pet do deset minuta kasnije, sustav automatski prekida napajanje.

Zaštite od drugih uzroka

Zaštitni sustav je također dizajniran za druge uzroke koji mogu oštetiti uređaj i omogućuje automatsko zaustavljanje uređaja. Poduzmite sve sljedeće korake da biste uklonili uzroke kada je uređaj privremeno zaustavljen u radu.

1. Isključite uređaj, a zatim ga ponovno uključite za ponovno pokretanje.
2. Napunite bateriju(e) ili je/ih zamijenite napunjenom(im) baterijom(ama).
3. Pustite da se uređaj i baterija(e) ohlade.
Ako ponovno uspostavljanje zaštitnog sustava ne donese poboljšanje, obratite se svojem lokalnom Makita servisnom centru.

Kut glave (Fig. 6)

⚠ OPREZ: Kod promjene kuta glave pazite da ne ukljeste prste između glave i tijela alata.

Kut glave može se prilagoditi u 4 razine.

Kuka (Fig. 7)

⚠ OPREZ: Kod podizanja kuke pazite da ne ukljeste prste između kuke i tijela alata.

Traka za rame (Fig. 8)

Traka za rame može se postaviti s kopčama na jednom i drugom kraju.

⚠ OPREZ: Ne koristite prsten za bilo koju drugu svrhu osim za vješanje uređaja. Inače može doći do osobne ozljede.

ODRŽAVANJE

⚠ OPREZ: Uvijek pazite da je alat isključen, iskopčan, te da je uložak s baterijom uklonjen prije početka pregleda ili održavanja.

NAPOMENA: Nikad ne koristite benzin, razrjeđivač, alkohol ili nešto slično. Može doći do promjene boje, deformacije ili pukotina.

Kako bi se održavala SIGURNOST i POUZDANOST, popravke i sve ostale radove održavanja ili prilagodbe moraju izvoditi Makita ovlašteni ili tvornički servisni centri koristeći isključivo Makita zamjenske dijelove.

IZBORNI DODACI

⚠ OPREZ: Ovi se dodaci ili nastavci preporučuju za korištenje s vašim Makita alatom navedenim u ovom priručniku. Korištenje drugih dodataka ili nastavaka može predstavljati rizik od ozljede. Dodatke ili nastavke koristite isključivo za njihovu namjenu.

Ako vam treba pomoć ili više pojedinosti o ovim dodacima, obratite se svom lokalnom Makita servisnom centru.

- Originalna baterija i punjač Makita.

NAPOMENA: Neke stavke s popisa mogu biti uključene u paket alata kao standardni dodaci. Mogu se razlikovati od zemlje do zemlje.

МАКЕДОНСКИ (Оригинални инструкции)

Објаснување на општиот поглед

1. Касета на батерија
2. Црвен индикатор
3. Копче за ослободување на батеријата
4. Сијалички на индикаторот
5. Копче за проверка
6. Копче за вклучување и исклучување
7. Копче за РЕЖИМ
8. Режим за широк сноп светлина
9. Режим за сноп во точка + широк сноп светлина
10. Режим за сноп светлина во точка
11. Кука
12. Ремен за рамо
13. Прицврстувач

СПЕЦИФИКАЦИИ

Модел	ML007G
LED	Сноп во точка 1 ЕЕЗ. /Широк сноп: 16 ЕЕЗ. (Флеш светлина: 17 ЕЕЗ.)
Димензии (Д × Ш × В)	323 mm × 120 mm × 118 mm
Номинален напон	Д.С. 36 V- 40 V макс.
Нето тежина (без касета за батерија и ремен за рамо)	0,95 kg

- Поради нашата континуирана програма за истражување и развој, спецификациите што се тука опишани се предмет на промена без најава.
- Спецификациите може да се разликуваат од држава до држава.
- Димензиите се со BL4025 и со главата напред.

Специјална касета на батеријата и полнач

Касета на батерија	BL4020 / BL4025 / BL4040 / BL4050F / BL4080F
Полнач	DC40RA / DC40RB / DC40RC

- Некои од касетите на батерии наведени погоре, може да не бидат достапни во зависност од вашиот регион на живеење.

⚠ ПРЕДУПРЕДУВАЊЕ: Користете ги само батериските кутии и полначите наведени погоре. Користењето на било кои други касети на батерии и полначите може да предизвика повреда и/или пожар.

Време на работење

Касета на батерија	Време на работење (приближно)			
	Сноп во точка	Широк сноп	Сноп во точка + Широк сноп	Флеш светлина
BL4020	5,0 часа	5,0 часа	3,5 часа	5,0 часа
BL4025	6,5 часа	6,5 часа	4,5 часа	6,5 часа
BL4040	10 часа	10 часа	7,5 часа	10 часа
BL4050F	13 часа	13 часа	9,5 часа	13 часа
BL4080F	22 часа	22 часа	16 часа	22 часа

- Времињата на работење дадени во горенаведената табела се само грубо упатство. Тие може да се разликуваат од вистинските времиња на работење.
- Времето на работење може да се разликува во зависност од видот на батеријата, статусот на полнење и условите на користење.
- Касетата на батеријата може да се разликува од земја до земја.

Симболи

Следниот дел ги прикажува симболите коишто се користат за опремата. Осигурете се дека сте го разбрале нивното значење пред употребата.



- Прочитајте го упатството за користење



- Само за внатрешна употреба



- Само за земјите од ЕУ
Поради присуството на опасни компоненти во опремата, отпадот од електрична и електронска опрема, акумулатори и батерии може да има негативно влијание врз животната средина и здравјето на луѓето. Не фрлајте ги електричните и електронските апарати или батериите со домашен отпад!
Во согласност со Европската директива за отпадна електрична и електронска опрема и за акумулатори и батерии и отпадни акумулатори и батерии, како и нивното прилагодување кон националното законодавство, отпадната електрична опрема, батериите и акумулаторите треба да се чуваат одделно и да се доставуваат до посебна собирна точка за комунален отпад, кои работат согласно прописите за заштита на животната средина. Тоа го покажува симболот на прекрстаната корпа со тркала поставена на опремата.



- Оптичко зрачење (ултравиолетово-UV и инфрацрвено-IR).
Смалете ја колку што е можно изложеноста на очите или кожата.



- Не гледајте во ламбата за работа.



- Користете соодветен заштитен штит или заштита за очите.



- Водете посебна грижа и внимание!

БЕЗБЕДНОСНИ ПРЕДУПРЕДУВАЊА

ВАЖНИ БЕЗБЕДНОСНИ УПАТСТВА

▲ ПРЕДУПРЕДУВАЊЕ: При користењето на електрични алати треба секогаш да се следат основните безбедносни мерки на претпазливост, за да се намали ризикот од пожар, електричен шок и лична повреда, вклучувајќи го и следното:

ПРОЧИТАЈТЕ ГИ СИТЕ УПАТСТВА.

1. Не гледајте во светлината, или не изложувајте ги очите на светлина. Може да дојде до оштетување на очите.
2. Не ја покривајте сијаличката со платно, картон итн. Во спротивно може да настане пламен.
3. Апаратот не е водоотпорен. Не користете ја во влажни или мокри локации. Не изложувајте ја на дожд или снег. Не мијте ја во вода.
4. Не допирајте ја внатрешноста на апаратот со пинцети, метални алатки итн.
5. Кога апаратот не е во употреба, секогаш исклучете го и извадете ја касетата на батеријата од апаратот.
6. Не изложувајте ја апаратот на шок од отпуштање од раце, удар инт.
7. Безбедносни информации за преносливи осветлувачи со батерии.
 - Фрлањето на батериите треба да биде во склад со вашите локални прописи што се однесуваат на отстранувањето на опасни материјали.
 - Не ја палете батеријата.
8. Дополнителни информации за осветлувачи.
 - Изворот на светлина на оваа светилка не може да се замени, кога изворот на светлина ќе дојде до крајот на својот животен век, целата светилка ќе се замени.
9. Употреба и грижа за батериската алатка.
 - ПРЕДУПРЕДУВАЊЕ: Прочитајте ги упатства и предупредувања за безбедност. Доколку не ги следите предупредувањата или упатствата, може да предизвикате електричен удар, пожар и/или сериозни повреди.
 - Спречете ненамерно стартување на апаратот. Осигурете се дека прекинувачот е во исклучена позиција пред да се повзете со батерискиот пакет, пред да го подигнете или носите апаратот. Носете го апаратот така што ќе го држите прстот на прекинувачот или на енергетскиот апарат што има прекинувач за несреќни случаи.
 - Исклучете го батерискиот пакет од апаратот пред да направите било какви прилагодувања, да промените додатоци или да го ставите некаде апаратот. Ваквите превентивни безбедносни мерки го намалуваат ризикот од случајно вклучување на апаратот.

- Полнете ги единствено со полнач одреден од страна на производителот. Полначот што е погоден за еден вид на батериски пакет може да предизвика ризик од пожар ако се користи со некој друг батериски пакет.
- Користете апарати единствено со специјално одредени батериски пакети. Користењето на било кои други батериски пакети може да создаде ризик од повреди или пожар.
- Кога батерискиот пакет не е во употреба, чувајте го подалеку од други метални објекти, како што се спојувалки, монети, клучеви, клинцци, шрафови или други мали метални предмети што можат да предизвикаат конекција на еден терминал со друг. Краткиот спој помеѓу терминалите може да предизвика изгореници или пожар.
- Во услови на злоупотреба, течноста може да излезе од батериите; избегнувајте контакт. Ако дојде до случаен контакт, веднаш исплакнете со вода. Ако дојде до контакт на течноста со очите, дополнително побарајте и медицинска помош. Течноста исфрлена од батеријата може да предизвика иритација или изгореници.
- Не користете го батерискиот пакет или апарат што се оштетени или изменети. Оштетените или изменети батерии можат да покажат непредвидливо однесување, што може да резултира со пожар, експлозија или ризик од повреда.
- Не изложувајте го батерискиот пакет или апаратот на прекумерна температура. Изложеноста на пожар или на температури над 130 °C (265 °F) може да предизвика експлозија.
- Следете ги сите упатства за полнење на батериите и не полнете го батерискиот пакет или апаратот надвор од температуриот опсег одреден во упатствата. Неправилното полнење или полнењето на температури надвор од одредениот температуриот опсег, може да ја оштети батеријата и да го зголеми ризикот од пожар.
- Сервисирањето треба да биде изведено од страна на квалификувано лице за поправка, кое што користи само идентични делови за замена. Со ова ќе се осигура дека се одржува безбедноста на производот.
- Не менувајте, ниту обидувајте се да го поправите апаратот или батерискиот пакет, освен на начинот којшто е наведен во упатствата за користење и грижа.
- Ако електролитот ви влезе во очите, исплакнете ги со чиста вода и веднаш побарајте медицинска помош. Тоа може да резултира со губење на видот.
- Не скратувајте ја касетата на батеријата.
 - (1) Не допирајте ги терминалите со било каков спроводлив материјал.
 - (2) Избегнувајте складирање на касетите на батеријата во контејнер со други метални предмети како што се клинцци, монети итн.
 - (3) Не изложувајте ја касетата на батеријата на вода или дожд. Краткиот спој на батеријата може да предизвика голем проток на струја, прегревање, можни изгореници, па дури и дефекти.
- Не складирајте и користете го апаратот и касетата на батеријата на места каде што температурата може да достигне или надмине 50 °C (122 °F).
- Не палете ја касетата на батеријата дури и ако е сериозно оштетена или целосно истрошена. Касетата на батеријата може да експлодира во пожар.
- Немојте да ја заковувате, сечете, кршите, фрлате или удирате касетата на батеријата од тврд предмет. Тоа може да предизвика пламен, преголемо загревање или експлозија.
- Не користете оштетена батерија.
- Содржаните литијум-јонски батерии подлежат на законските барања за опасни материји. За комерцијалните транспорти, на пример за трети страни, агентите за шпедиција, мораат да се почитуваат посебните барања за пакување и етикетирање. За подготовка на предметот којшто се испорачува, потребна е консултација со експерт за опасни материјали. Ве молиме почитувајте ги и евентуално подеталните национални регулативи. Залепете ги со лента или маскирајте ги отворените контакти и спакувајте ја батеријата на таков начин, што нема да може да се движи во пакувањето.
- Кога ја фрлате касетата за батерии, отстранете ја од апаратот и фрлете ја на безбедно место. Следете ги вашите локални регулативи во врска со отстранувањето на батеријата.
- Користете ги батериите единствено со производите одредени од Makita. Инсталирањето на батериите во несоодветни производи може да резултира со пожар, прекумерна топлина, експлозија или истекување на електролитот.
- Ако алатот не се користи подолг временски период, батеријата мора да се отстрани од него.
- За време на употребата и после употребата, касетата на батеријата може да поприми топлина која може да предизвика изгореници. Внимавајте кога ги допирате загреаните касети на батериите.
- Не допирајте го терминалот на касетата веднаш по употреба бидејќи може да биде толку загреан што ќе ви предизвика изгореници.
- Не дозволувајте деланци, прав или нечистотија да навлезе во трминалите и отворите на касетата на батеријата. Тоа може да предизвика слаби перформанси или расипување на уредот или на касетата на батеријата.

Важни безбедносни упатства за касетата на батеријата

- Пред да ја користите касетата на батеријата, прочитајте ги сите упатства и ознаки за предупредување за (1) полначот на батерии, (2) батеријата и (3) производот што користи батерии.
- Не ја расклопувајте и не ја оштетувајте касетата на батеријата. Тоа може да предизвика пламен, преголемо загревање или експлозија.
- Ако времето на работење станало многу кратко, веднаш престанете со работењето. Тоа може да резултира со ризик од прегревање, можни изгореници, па дури и експлозија.

- Освен ако уредот не е наменет за употреба во близина на високонапонска струја, не ја користете касетата на батеријата во близина на високонапонска струја. Тоа може да предизвика лошо функционирање или расипување на уредот или на касетата на батеријата.
- Чувајте ја батеријата подалеку од деца.

ЗАЧУВАЈТЕ ГИ ОВИЕ УПАТСТВА.

▲ ВНИМАНИЕ: Користете само оригинални Makita батерии. Користењето на неоригинални Makita батерии, или батерии што биле изменети, може да резултира со пукање на батеријата што ќе предизвика пожар, лични повреди и оштетувања. Тоа исто така ќе ја поништи Makita гаранцијата за Makita алатот и полначот.

Совети за одржување на максималниот рок на траење на батеријата

1. Наполнете ја касетата на батеријата пред целосно да се испразни. Секогаш запрете го работењето на алатката и наполнете ја касетата на батеријата, кога ќе забележите помала моќност на алатката.
2. Никогаш не полнете ја до крај касетата на батеријата. Преполнувањето го скратува работниот век на батеријата.
3. Касетата на батеријата полнете ја на собна температура на 10 °C - 40 °C (50 °F - 104 °F). Пред полнењето оставете ја врелата касета на батеријата да се излади.
4. Кога не ја користите касетата на батеријата, извадете го од апаратот или од полначот.
5. Наполнете ја касетата на батеријата ако не планирате да ја користите подолг временски период (повеќе од шест месеци).

ОПИС НА ФУНКЦИЈАТА

▲ ВНИМАНИЕ: Секогаш осигурајте се дека алатката е исклучена и дека касетата на батеријата е отстранета, пред да ја прилагодите или проверите функцијата на алатката.

Инсталирање или отстранување на касетата на батеријата (Fig. 1)

▲ ВНИМАНИЕ: Секогаш исклучувајте ја алатката пред да ја отстраните касетата на батеријата.

▲ ВНИМАНИЕ: Држете ја цврсто алатката и касетата на батеријата, кога ја инсталирате или отстранувате касетата на батеријата. Ако не ги држите цврсто алатката и касетата на батеријата, тогаш тие можат да ви се лизнат од рацете и да се предизвика оштетување на алатката и на касетата на батеријата, како и лична повреда.

За да ја отстраните касетата на батеријата, лизнете ја од алатката додека го лизгате копчето на предната страна од касетата. За да ја инсталирате касетата на батеријата, порамнете го јазичето на касетата на батеријата со жлебот на куќиштето и лизнете ја на своето место. Вметнете ја целосно, сè додека не легне на своето место и не се чуе мало кликување. Ако можете да го видите црвениот показател како што е прикажано на сликата, тој не е целосно заклучен.

▲ ВНИМАНИЕ: Секогаш инсталирајте ја во целост касетата на батеријата, сè додека црвениот индикатор не може да биде виден. Ако не го направите тоа, таа може случајно да испадне од алатката, предизвикувајќи повреда, на вас или на некого околу вас.

▲ ВНИМАНИЕ: Немојте со сила да ја инсталирате касетата на батеријата. Ако касетата на батеријата не лизне лесно внатре, тогаш не е правилно вметната.

Означување на преостанатиот капацитет на батеријата (Fig. 2)

Притиснете го копчето за проверка на касетата на батеријата, за да се означи преостанатиот капацитет на батеријата. Сијаличките на индикаторот светнуваат во текот на неколку секунди.

Сијалички на индикаторот			Преостанат капацитет
Осветлено	Исклучено	Трепкање	
			75 % до 100 %
			50 % до 75 %
			25 % до 50 %
			0 % до 25 %
			Наполни ја батеријата.
			Батеријата може да има дефект.

ЗАБЕЛЕШКА: Во зависност од условите за користење и температурата на околината, индикаторот може малку да се разликува од вистинскиот капацитет.

ЗАБЕЛЕШКА: Првата (лево на крај) светилка на индикаторот ќе светка кога ќе работи заштитниот систем на батеријата.

Запалување на светлото (Fig. 3)

⚠ ВНИМАНИЕ: Не гледајте директно во светлото или изворот на светлина.

Притиснете го копчето за вклучување/исклучување за да ја запалите светлината. За да ја исклучите светлината, притиснете го уште еднаш копчето за вклучување/исклучување.

ЗАБЕЛЕШКА: Апаратот се вклучува во истиот режим, во којшто бил во последната поставка.

Поставување на режимот

Додека е вклучено светлото, притиснете на копчето за **РЕЖИМ**, за да поминете низ поставките за сноп во **точка, широк сноп**, и сноп во **точка + широк сноп**.

Вклучување на флеш осветлувањето (Fig. 4)

Притиснете и држете го копчето за РЕЖИМ сè додека апаратот не се смени во **флеш режим**. За да го исклучите **флеш** режимот, едноставно притиснете на копчето за **РЕЖИМ**.

Систем за заштита на апарати / батеријата

Апарат е опремена со систем за заштита, којшто автоматски ја прекинува излезната моќност, заради постигнување на долг работен век.

Заштита од прекумерно испуштање (Fig. 5)

Кога капацитетот на батеријата се намалува, LED светлата се гаснат освен една LED. Потоа, околу пет до десет минути подоцна, системот автоматски го прекинува напојувањето.

Заштити против други причини

Заштитниот систем е дизајниран и за други причини кои би можеле да го оштетат апаратот и дозволуваат апаратот автоматски да запре. Преземете ги сите следни чекори за да ги отстраните причините кога апаратот е привремено запрен или запрен во работа.

1. Исклучете го апаратот, а потоа повторно вклучете го за да се рестартира.
2. Наполнете ги акумулаторите или заменете ги со наполнети батерии.
3. Оставете го апаратот и батеријата да се оладат. Ако не може да се најде подобрување со обновување на системот за заштита, тогаш контактирајте го вашиот локален сервисен центар на Makita.

Агол на главата (Fig. 6)

⚠ ВНИМАНИЕ: Кога го менувате аголот на главата, внимавајте да не ги штипнете своите прсти помеѓу главата и телото на алатката.

Аголот на главата може да се прилагоди во 4 нивоа.

Кука (Fig. 7)

⚠ ВНИМАНИЕ: Кога ја подигате куката, внимавајте да не ги штипнете своите прсти помеѓу куката и телото на алатката.

Ремен за раме (Fig. 8)

Ременот за раме може да се инсталира со копчи на двата краја.

⚠ ВНИМАНИЕ: Не користете го прстенот за друга цел освен закачувањето на апаратот. Во спротивно, може да се случи лична повреда.

ОДРЖУВАЊЕ

⚠ ВНИМАНИЕ: Секогаш осигурајте се дека алатката е исклучена и касетата на батеријата е отстранета, пред да се обидете да извршите инспекција или одржување на производот.

ЗАБЕЛЕШКА: Никогаш не користете петрол, бензин, разредувач, алкохол или нешто слично. Може да дојде до промена на бојата, деформација или пукнатини.

За да ја одржите БЕЗБЕДНОСТА и ДОВЕРЛИВОСТА на производот, поправките и било какво друго одржување или прилагодување треба да биде изведено од страна на овластените центри на Makita или на фабричките сервисни центри, секогаш користејќи ги деловите за замена од Makita.

ОПЦИОНАЛНИ ДОДАТОЦИ

⚠ ВНИМАНИЕ: Овие додатоци или прилози се препорачуваат за употреба со вашата Makita алатка, наведени во овој прирачник. Користењето на било какви други додатоци или прилози, може да претставува ризик од повреда на луѓето. Користете ги додатоците или прилозите само за нивната намена.

Ако ви е потребна било каква помош, за повеќе детали во врска со овие додатоци, обратете се до вашиот локален сервисен центар на Makita.

- Оригинална батерија и полнач на Makita.

ЗАБЕЛЕШКА: Некои предмети од листата можат да бидат вклучени во пакетот на алатката, како стандардни додатоци. Тие можат да се разликуваат од држава до држава.

СРПСКИ (Оригинално упутство)

Објашњење општег приказа

- | | | | |
|---------------------------------|----------------------|-----------------------------|----------|
| 1. Батеријски уложак | 5. Тастер за проверу | 9. Режим тачка + обасјавање | 13. Клип |
| 2. Црвени индикатор | 6. Дугме за укључење | 10. Режим тачка | |
| 3. Дугме за ослобађање батерије | 7. Дугме за РЕЖИМ | 11. Кукица | |
| 4. Лампице индикатора | 8. Режим обасјавање | 12. Нараменица | |

СПЕЦИФИКАЦИЈЕ

Модел	ML007G
LED	Тачка: 1 ком. / Обасјавање: 16 ком. (Стробоскоп: 17 ком.)
Димензије (Д × Ш × В)	323 mm × 120 mm × 118 mm
Номинални напон	D.C. 36 V / 40 V макс.
Нето тежина (без батеријског уложка и нараменица)	0,95 kg

- Услед нашег непрекидног програма истраживања и развоја, карактеристике овде наведене могу бити промењене без обавештења.
- Карактеристике се могу разликовати у зависности од државе.
- Димензије су са БЛ4025 и са главом окренутом према напред.

Odgovarajući baterijski uložak и пуњач

Батеријски уложак	BL4020 / BL4025 / BL4040 / BL4050F / BL4080F
Пуњач	DC40RA / DC40RB / DC40RC

- Неке од батерија наведених изнад можда неће бити доступне у зависности од вашег региона.

⚠ УПОЗОРЕЊЕ: Користите искључиво батеријске улошке или пуњаче наведене изнад. Употреба других батерија и пуњача може проузроковати повреду и/или пожар.

Време рада

Батеријски уложак	Време рада (приближно)			
	Тачка	Обасјавање	Тачка + обасјавање	Стробоскоп
BL4020	5,0 часова	5,0 часова	3,5 часова	5,0 часова
BL4025	6,5 часова	6,5 часова	4,5 часова	6,5 часова
BL4040	10 часова	10 часова	7,5 часова	10 часова
BL4050F	13 часова	13 часова	9,5 часова	13 часова
BL4080F	22 часова	22 часова	16 часова	22 часова

- Времена рада у горњој табели су приближне смернице. Могу одступати од стварног времена рада.
- Време рада се може разликовати у зависности од типа батерије, статуса напуњености и услова коришћења.
- Батеријски уложак се може разликовати у зависности од државе.

Симболи

У наставку су приказани симболи који се користе на опреми. Будите сигурни да разумете њихово значење пре употребе.



- Прочитајте приручник са упутствима



- Употреба искључиво у просторији



- Само за државе ЕУ
Због присуства опасних компоненти у опреми, отпадна електрична и електронска опрема, акумулатори и батерије могу да имају негативан утицај на околину и здравље људи. Не бацајте електричне и електронске уређаје или батерије са кућним отпадом! У складу са Европском директивом о отпадној електричној и електронској опреми и о акумулаторима и батеријама и отпадним акумулаторима и батеријама, као и њиховом адаптацијом националном закону, отпадну електричну опрему, батерије и акумулаторе треба одвојено чувати и доставити на посебно сабирно место за комунални отпад, радећи у складу са прописима о заштити животне средине.
То је показано симболом прекрштене канте на точковима постављеним на опреми.



- Оптичко зрачење (УВ и ИЦ).
На најмању меру смањите излагање очiju и коже.



- Немојте гледати у светилку током рада.



- Користите прикладна сенила или заштиту за очи.



- Посебно водите рачуна и обратите пажњу!

СИГУРНОСНА УПОЗОРЕЊА

ВАЖНА СИГУРНОСНА УПУТСТВА

⚠ УПОЗОРЕЊЕ: Приликом употребе електричних алата, увек се морају поштовати основне сигурносне мере како би се смањило ризик од пожара, електричног удара и телесних повреда, укључујући следеће:

ПРОЧИТАЈТЕ СВА УПУТСТВА.

1. Немојте гледати у светло или светло усмеравати у очи. Може доћи до оштећења ока.
 2. Током рада немојте покривати светилку тканином или картоном итд. У супротном може доћи до пожара.
 3. Уређај није водоотпоран. Немојте користити уређај на влажној или мокрој локацији. Немојте га излагати киши или снегу. Немојте га прати у води.
 4. Немојте додиривати унутрашњост уређаја пинцетом, металним алатом итд.
 5. Када се уређај не користи, увек искључите и извадите батерију из ње.
 6. Немојте изложити уређај ударима тако што ћете га испустити, ударити итд.
 7. Безбедносне информације за преносиве светилке са батеријама.
 - Одлагање батерија мора бити у саобразности са локалним прописима који се односе на одлагање опасних материја.
 - Немојте спаљивати батерију.
 8. Додатне информације за светилке.
 - Извор светлости ове светилке није заменљив; када извор светлости дође до краја својег животног века, цела се светилка треба заменити.
 9. Употреба и одржавање алата са батеријом.
- УПОЗОРЕЊЕ:** Прочитајте сва безбедносна упозорења и упутства. Игнорисање ових упозорења и упутстава може резултирати струјним ударом, пожаром и/или озбиљном повредом.
- Спречите нежељено укључење. Пре прикључења батеријског паковања, подизања или ношења, водите рачуна да прекидач буде у искљученом положају. Ношење опреме са прстом на прекидачу или довођење напајања на опрему са укљученим прекидачем може изазвати незгоду.
 - Извуците батеријско паковање из уређаја пре обављања било каквих подешавања, замене додатног прибора, или складиштења. Овакве превентивне безбедносне мере смањују ризик да се уређај случајно покрене.
 - Пуњење вршите искључиво пуњачем који је одредио произвођач. Пуњач који одговара једном типу батеријског паковања може створити ризик од пожара када се користи на другом батеријском паковању.
 - Искључиво користите опрему са посебно означеним батеријским паковањима. Употреба других батеријских паковања може створити ризик од повреде и пожара.
 - Када батеријско паковање није у употреби, држите га даље од других металних предмета као што су спајалице, новчићи, кључеви, ексери, завртњи или други мали метални предмети који могу креирати спој једног терминала са другим. Кратак спој терминала батерије може проузроковати опекотине и пожар.

- Под неповољним условима, течност може бити избачена из батерије; избегавајте контакт. Ако дође до случајног контакта, исперите водом. Ако течност дође у контакт са очима, додатно потражите лекарску помоћ. Течност избачена из батерије може проузроковати иритацију или опекотине.
- Немојте користити батеријско паковање или уређај која је оштећен или модификован. Оштећене или модификоване батерије могу испољити неочекивано понашање које може изазвати пожар, експлозију или повреду.
- Батерију или уређај немојте излагати ватри или прекомерној температури. Излагање ватри или температури изнад 130 °C (265 °F) може изазвати експлозију.
- Поштујте сва упутства за пуњење и немојте га вршити када су батеријско паковање или уређај изван температурног опсега који је наведен у упутствима. Неправилно или пуњење изван наведеног опсега може оштетити батерију и повећати ризик од пожара.
- Сервис може обављати само квалификовани сервисер који користи идентичне заменске делове. Тако ћете осигурати да се одржи безбедност уређаја.
- Немојте модификовати или покушати да поправите уређај или батеријско паковање на други начин осим онако како је то наведено у упутствима за употребу и одржавање.

Важна сигурносна упутства за батеријски уложак

- Пре употребе батеријског уложка, прочитајте сва упутства и ознаке упозорења на (1) пуњачу батерије, (2) батерији и (3) производу који користи батерију.
- Немојте расклапати или вршити измене на батеријском уложку. То може изазвати пожар, прекомерну топлоту или експлозију.
- Ако је време рада постало претерано краће, одмах зауставите рад. То може изазвати ризик од прегревања, могуће опекотине па чак и експлозију.
- Ако вам електролит доспе у очи, исперите га чистом водом и одмах потражите лекарску помоћ. То може изазвати губитак вида.
- Немојте извршити кратак спој батеријског уложка.
- (1) Немојте додиривати терминале проводљивим материјалом.
- (2) Избегавајте да чувате батеријски уложак у посуди са другим металним објектима као што су ексери, новчићи итд.
- (3) Батеријски уложак немојте излагати води или киши. Кратак спој батерије може изазвати велики проток струје, прегревање, могуће опекотине а чак и пуцање.
- Немојте чувати и користити уређај и батеријски уложак на местима где температура може достићи или прећи 50 °C (122 °F).
- Немојте спаљивати батеријски уложак чак иако је озбиљно оштећен или је потпуно истрошен. Батеријски уложак може експлодирати унутар ватре.
- Немојте закуцавати, сећи, ломити, бацати, испустити батеријски уложак или ударити њиме о чврсту површину. Такав поступак може изазвати пожар, прекомерну топлоту или експлозију.
- Немојте користити оштећену батерију.

- Постојећа литијум-јонска батерија подлеже захтевима прописа о опасним материјама У случају комерцијалног транспорта нпр. од стране трећег лица, шпедитера, морају се поштовати специјални захтеви у вези паковања и означавања. За припрему ставке коју треба испоручити, потребно је консултовање експерта за опасне материје. Такође се придржавајте можда детаљнијих државних прописа. Облепите или прекрите отворене контакте и запакujte батерију на такав начин да се не може померати унутар паковања.
- Када одложите батеријски уложак, извадите га из уређаја и одложите на безбедно место. Придржавајте се локалних прописа који се односе на одлагање батерија.
- Батерије користите искључиво у производима које је назначила компанија Макита.
- Постављање батерија у неодговарајуће производе може изазвати пожар, прекомерну топлоту, експлозију или цурење електролита.
- Ако се алат не користи у дугом временском периоду, батерија се мора извадити.
- Током и након употребе, батеријски уложак може захватити топлота која може изазвати опекотине или промрзLINE. Водите рачуна о руковању врућим батеријским улошцима.
- Немојте додиривати терминал уређаја одмах након употребе обзиром да може бити толико врућ да изазове опекотине.
- Немојте дозволити да се опиљци, прашина или земља накупе унутар терминала, отвора и прореза батеријског уложка. То може изазвати слаб учинак или квар уређаја или батеријског уложка.
- Осим ако уређај не подржава употребу у близини високонапонских електричних водова, немојте користити батеријски уложак у њиховој близини. То може изазвати смећење у раду или квар уређаја или батеријског уложка.
- Батерију држите подаље од деце.

САЧУВАЈТЕ ОВА УПУТСТВА.

⚠ ОПРЕЗ: Искључиво користите оригиналне Макита батерије. Употреба неоригиналних Макита батерија или батерија које су измењене, може изазвати пуцање батерије проузрокујући пожар, телесне повреде и материјалну штету. То ће такође довести до губитка гаранције за Макита алат и пуњач.

Савети за максималан радни век батерије

1. Напуните батеријски уложак пре него што се потпуно испразни. Увек зауставите рад алата и промените батеријски уложак када приметите смањење снаге алата.
2. Никада немојте пунити потпуно напуњен батеријски уложак. Прекомерно пуњење скраћује радни век батерије.
3. Пуните батеријски уложак на собној температури при 10 °C - 40 °C (50 °F - 104 °F). Допустите врућем батеријском уложку да се охлади пре пуњења.
4. Када не користите батеријски уложак, извадите га из уређаја или пуњача.
5. Напуните батеријски уложак ако га нећете користити у дужем временском периоду (више од шест месеци).

ОПИС ФУНКЦИЈА

⚠ ОПРЕЗ: Пре подешавања или провере функција на алату увек проверите да ли је алат искључен, одвојен од напајања и да ли је батеријски уложак извађен.

Постављање или уклањање батеријског уложка (Fig. 1)

⚠ ОПРЕЗ: Увек искључите напајање пре постављања или уклањања батеријског уложка.

⚠ ОПРЕЗ: Чврсто држите алат и батеријски уложак када га постављате или vadите.

Лабаво држање алата и батеријског уложка може узроковати да исклизну из руку и изазову оштећења уређаја, батеријског уложка и телесну повреду.

Да бисте извадили батеријски уложак, извучите га из алата померајући дугме на предњој страни уложка. Да бисте инсталирали батеријски уложак, поравнајте језичак на батеријском уложку са жљебом у кућишту и гурните га на место. Уметните га до краја док не легне на место уз лагано шкљоцање. Ако можете да видите црвени индикатор као што је приказано на слици, није потпуно закључан.

⚠ ОПРЕЗ: Увек уметните батеријски уложак до краја док се црвени индикатор не може видети. У супротном, може случајно испасти из алата, проузрокујући повреду вас или некога у вашој близини.

⚠ ОПРЕЗ: Батеријски уложак немојте постављати на силу. Ако уложак не може лагано клизнути унутра, значи да није правилно уметнут.

Приказ преосталог капацитета батерије (Fig. 2)

Притисните тастер за проверу на батеријском уложку како би се приказао преостали капацитет батерије. Лампице индикатора засветле у трајању од неколико секунди.

Лампице индикатора			Преостали капацитет
Осветљена	Искључена	Трепери	
■ ■ ■ ■	□	▧	75 % до 100 %
■ ■ ■ □	□	□	50 % до 75 %
■ ■ □ □	□	□	25 % до 50 %
■ □ □ □	□	□	0 % до 25 %
▧ □ □ □	□	□	Напуните батерију.
■ ■ □ □	□	□	Батерија је можда неисправна.
□ □ ■ ■	□	□	

НАПОМЕНА: У зависности од услова употребе и температуре окружења, индикација може благо одступати од стварног капацитета.

НАПОМЕНА: Прва (крајња лева) индикациона лампица ће треперети када систем за заштиту батерије ради.

Укључење светла (Fig. 3)

⚠ ОПРЕЗ: Немојте директно гледати у светло или извор осветљења.

Притисните дугме напајања да бисте укључили светло. Да бисте искључили светло, притисните дугме напајања поново.

НАПОМЕНА: Апарат се укључује у последњем коришћеном режиму.

Бирање режима

Када је светло укључено, притисните дугме **РЕЖИМ** како бисте прошли кроз режиме **тачка, обасјавање и тачка + обасјавање**.

Укључење стробоскопског осветљења (Fig. 4)

Притисните и држите дугме **РЕЖИМ** док се уређај не пребаци у **стробоскопски** режим. Да бисте искључили **стробоскопски** режим, једноставно притисните дугме **РЕЖИМ**.

Систем за заштиту машине / батерије

Уређај поседује систем заштите, који аутоматски искључује рад у корист дужег радног века.

Заштита од прекомерног пражњења (Fig. 5)

Када капацитет батерије постане низак, ЛЕД светла се гасе осим једне ЛЕД. Затим приближно пет до десет минута касније систем се аутоматски искључује.

Заштите од других узрока

Систем заштите је такође дизајниран за друге узроке који могу оштетити уређај и омогућује аутоматско заустављање уређаја. Предузмите све следеће кораке да бисте уклонили узроке када је уређај привремено заустављен у раду.

1. Искључите уређај, а затим га поново укључите за поновно покретање.
2. Напуните батерију(е) или је/их замените напуњеном(им) батеријом(ама).
3. Пустите да се уређај и батерија(е) охладје.

Ако поновно успостављање система заштите не донесе побољшање, обратите се својем локалном Макита сервисном центру.

Угао главе (Fig. 6)

⚠ ОПРЕЗ: Када мењате угао главе, водите рачуна да не прикљештите прсте између главе и тела уређаја.

Угао главе се може подесити у 4 положаја.

Кукица (Fig. 7)

⚠ ОПРЕЗ: Када подижете кукицу, водите рачуна да не прикљештите прсте између ње и тела уређаја.

Трака за раме (Fig. 8)

Трака за раме се може поставити помоћу копчи на оба краја.

⚠ ОПРЕЗ: Не користите прстен за било коју другу сврху осим за вешање уређаја. Иначе може доћи до личне повреде.

ОДРЖАВАЊЕ

⚠ ОПРЕЗ: Пре прегледа или одржавања увек проверите да ли је алат искључен, одвојен од напајања и да ли је батеријски уложак извађен.

НАПОМЕНА: Никада немојте користити бензин, разређивач, алкохол и слично. Може доћи до промене боје, деформација или пуцања.

Да бисте одржали БЕЗБЕДНОСТ и ПОУЗДАНОСТ производа, поправке и било какво одржавање или подешавање морају вршити овлашћени или фабрички сервисни центри компаније Макита, уз употребу Макита заменских делова.

ОПЦИОНИ ДОДАТНИ ПРИБОР

⚠ ОПРЕЗ: Овај додатни прибор или додаци се препоручују за употребу са Макита алатом назначеним у овом упутству. Употреба другог додатног прибора или додатака може представљати ризик за повреде особља. Додатни прибор или додатак користите искључиво за намењену употребу.

Ако вам је потребна помоћ у вези више детаља који се односе на овај додатни прибор, обратите се локалном Макита сервисном центру.

• Оригинална Макита батерија и пуњач.

НАПОМЕНА: Неке ставке са листе могу бити укључене у паковање алата као стандардни додатни прибор. Она се може разликовати у зависности од државе.

Română (Instrucțiuni originale)

Explicații privind vederea generală

- | | | | |
|-------------------------------|--------------------------------|-----------------------------------|-----------|
| 1. Blocul acumulatorului | 5. Buton de verificare | 9. Mod concentrat + Mod proiector | 13. Clema |
| 2. Indicator roșu | 6. Buton de pornire alimentare | 10. Mod concentrat | |
| 3. Buton eliberare acumulator | 7. Buton MODE | 11. Cârlig | |
| 4. Lămpi indicatoare | 8. Mod proiector | 12. Curea de umar | |

Date tehnice

Model	ML007G
LED	Concentrat: 0 bucati / Proiector: 16 bucati (Stroboscop: 17 bucati)
Dimensiuni (L × l × Î)	323 mm × 120 mm × 118 mm
Tensiune nominală	C.C. 36 V - 40 V max.
Greutate netă (fără blocul acumulatorului și curea de umar)	0,95 kg

- Datorită programului nostru de cercetare și dezvoltare continuă, specificațiile pot fi modificate fără emiterea în prealabil a unei înștiințări.
- Specificațiile pot varia în funcție de țară.
- Depunerea ar trebui să fie în puntea de pliere cu BL4025 și cu capul îndreptat în fata

Blocul acumulatorului și încărcătorul utilizate

Blocul acumulatorului	BL4020 / BL4025 / BL4040 / BL4050F / BL4080F
Încărcător	DC40RA / DC40RB / DC40RC

- Este posibil ca unele dintre blocurile cu acumulatori indicate mai sus să nu fie disponibile, în funcție de regiunea în care vă aflați.

⚠ AVERTISMENT: Utilizați numai blocurile cu acumulatori indicate mai sus. Utilizarea oricăror alte blocuri acumulator poate crea un risc de vătămare și/sau de incendiu.

Durata de funcționare

Blocul acumulatorului	Durată de funcționare (aproximativă)			
	Concentrat	Proiector	Concentrat + proiector	Stroboscop
BL4020	5,0 ore	5,0 ore	3,5 ore	5,0 ore
BL4025	6,5 ore	6,5 ore	4,5 ore	6,5 ore
BL4040	10 ore	10 ore	7,5 ore	10 ore
BL4050F	13 ore	13 ore	9,5 ore	13 ore
BL4080F	22 ore	22 ore	16 ore	22 ore

- Duratele de funcționare din tabelul de mai sus au un rol pur orientativ. Acestea pot fi diferite de duratele de funcționare efective.
- Duratele de funcționare pot prezenta diferențe date de tipul acumulatorului, stadiul încărcării și condițiile de utilizare.
- Blocul acumulatorului poate prezenta diferențe în funcție de țară.

Simboluri

În continuare sunt prezentate simbolurile utilizate pentru echipament. Asigurați-vă că ați înțeles semnificația acestora înainte de utilizare.



- Citiți manualul de instrucțiuni.



- Exclusiv pentru utilizarea în spații interioare



- Exclusiv pentru țările UE
- Deseurile de echipamente electrice și electronice și deseurile de baterii și acumulatori pot conține substanțe periculoase ce au un impact negativ asupra mediului și sănătății umane.

Nu aruncați echipamentul electric sau bateria împreună cu deseurile menajere! În conformitate cu directivele europene, privind deseurile de echipamente electrice și electronice, baterii și acumulatori și deseurile lor în aplicare în conformitate cu legislația națională, deseurile de echipamente electrice, bateriile și acumulatorii ar trebui să fie colectate separat și returnate la un punct de colectare a deseurilor municipale, de asemenea trebuie să fie în conformitate cu reglementările legislative privind protecția mediului.

Acest lucru este indicat de simbolul cosului cu roți încrucisat de pe echipament.



- Radiație optică (UV și IR).
Reduceți la minimum expunerea ochilor și pielii.



- Nu vă uitați direct în lampa aflată în funcțiune.



- Utilizați o ecranare sau o protecție oculară adecvată.



- Manifestați precauție și atenție deosebită în utilizare!

AVERTISMENTE PRIVIND SIGURANȚA

INSTRUCȚIUNI IMPORTANTE PRIVIND SIGURANȚA

⚠ AVERTISMENT: Utilizarea uneltelor electrice impune respectarea în orice situație a unor măsuri de precauție elementară pentru diminuarea pericolelor de incendiu, electrocutare, arsuri și alte pericole de rănire, incluzând aici următoarele:

CITIȚI TOATE INSTRUCȚIUNILE.

1. Nu priviți în lumină și nu expuneți ochii luminii. Ochii pot fi afectați.
2. Nu acoperiți lanterna cu materiale textile sau carton etc. În caz contrar, puteți provoca un incendiu.
3. Dispozitivul nu este impermeabil. Nu o folosiți în locuri cu umiditate sau umezeală. Nu o expuneți ploii sau zăpezii. Nu o spălați în apă.
4. Nu atingeți interiorul aparatului cu pensete, unelte metalice etc.
5. În caz de neutilizare, opriți-l întotdeauna și scoateți blocul acumulator din aparat.
6. Nu supuneți aparatul la șocuri provocate prin cădere, lovire etc.
7. Informații de siguranță pentru corpurile de iluminat portabile cu baterii.
 - La eliminarea bateriei trebuie să se respecte normele locale vizând eliminarea materialelor periculoase.
 - Nu ardeți bateria.
8. Informații suplimentare pentru corpurile de iluminat.
 - Sursa de lumina a acestui corp de iluminat nu poate fi înlocuită; la terminarea duratei de viață a sursei, trebuie înlocuit tot corpul de iluminat.
9. Folosirea și întreținerea unelei cu acumulator.
 - **AVERTISMENT:** Citiți toate avertismentele și instrucțiunile de siguranță. Nerespectarea avertismentelor și a instrucțiunilor poate provoca electrocutare, incendiu și/sau alte vătămări grave.
 - Preveniți pornirea accidentală. Comutatorul trebuie să fie în poziția de oprire înainte de conectarea la setul de acumulatori și de ridicarea sau transportarea aparatului. Transportarea aparatului cu degetul pe comutator sau punerea sub tensiune a aparatului care are comutatorul în poziția de pornire predispune la accidente.
 - Deconectați setul de acumulatori de la aparat înainte de a efectua orice reglaje, a schimba accesoriul sau de a stoca aparatul. Astfel de măsuri preventive de siguranță reduc riscul de pornire accidentală a aparatului.
 - Reîncărcați numai cu încărcătorul specificat de producător. Un încărcător care este adecvat pentru un tip de pachet de acumulatori poate crea un risc de incendiu când este utilizat cu un alt set de acumulatori.
 - Folosiți aparatele numai cu acumulatorii special desemnați în acest sens. Utilizarea oricăror alți acumulatori poate crea un risc de vătămare și de incendiu.
 - Atunci când acumulatorul nu este în uz, păstrați-l departe de alte obiecte metalice, cum ar fi agrafe de birou, monede, chei, cuie, șuruburi sau alte obiecte metalice mici, care pot face o conexiune de la o bornă la alta. Scurtcircuitarea bornelor acumulatorului poate provoca arsuri sau incendiu.

- În condiții de utilizare greșită, lichidul poate fi proiectat din acumulator; prin urmare, evitați contactul. În caz de contact accidental, clătiți cu apă. În cazul contactului lichidului cu ochii, consultați un medic. Lichidul care este proiectat din acumulator poate provoca iritații sau arsuri.
- Nu utilizați un set de acumulatori sau un aparat defect sau modificat. Acumulatorii defecti sau modificați vă pot expune la pericole de tipul incendiilor, exploziilor sau vătămărilor corporale.
- Nu expuneți seturile de acumulatori sau aparatul la foc sau temperaturi excesive. Expunerea la foc sau la temperaturi de peste 130 °C (265 °F) poate cauza explozii.
- Respectați toate instrucțiunile de încărcare și nu încărcați setul de acumulatori sau aparatul în afara domeniului de temperaturi specificat în instrucțiuni. Încărcarea inadecvată sau la temperaturi în afara domeniului specificat poate avaria acumulatorii sau poate crește riscul producerii unui incendiu.
- Solicitați efectuarea lucrărilor de service numai de către o persoană calificată în reparații, folosind numai piese de schimb identice. Acest lucru va asigura menținerea securității produsului.
- Nu modificați și nu încercați să reparați aparatul sau setul de acumulatori decât conform indicațiilor din instrucțiunile de utilizare și îngrijire.

Instrucțiuni de siguranță importante pentru blocul acumulator

- Înainte de a utiliza blocul acumulator, citiți toate instrucțiunile și marcasele de atenționare de pe (1) încărcătorul acumulatorului, (2) acumulator și (3) produsul alimentat de la acumulator.
- Nu demontați sau modificați blocul acumulator. Puteți provoca un incendiu, căldură excesivă sau explozie.
- Dacă durata de funcționare s-a redus excesiv, scoateți imediat din funcțiune. Aceasta poate duce la un risc de supraîncălzire, posibile arsuri și chiar o explozie.
- Dacă electrolitul vă intră în ochi, clătiți-i cu apă curată și solicitați imediat asistență medicală. Acest lucru poate duce la pierderea vederii.
- Nu scurtcircuitați blocul acumulator.
- (1) Nu atingeți bornele cu niciun fel de material conductor.
- (2) Evitați depozitarea blocului acumulator într-un recipient cu alte obiecte metalice, cum ar fi cuie, monede etc.
- (3) Nu expuneți blocul acumulator la apă sau ploaie. Un scurtcircuit al acumulatorului poate provoca un flux mare de curent, supraîncălzire, posibile arsuri și chiar și defectarea.
- Nu depozitați și utilizați aparatul și blocul acumulator în locuri în care temperatura poate atinge sau depăși 50 °C (122 °F).
- Nu incinerati blocul acumulator, chiar dacă este grav deteriorat sau complet uzat. Blocul acumulator poate exploda într-un incendiu.
- Nu bateți în cuie, nu tăiați, zdrobiți, aruncați, nu scăpați blocul acumulator sau nu loviți cu un obiect dur blocul acumulator. În caz contrar, puteți provoca incendii, căldură excesivă sau explozii.
- Nu utilizați acumulatorul dacă este deteriorat.

- Acumulatorii cu litiu-ion incluse fac obiectul cerințelor legislației privind mărfurile periculoase. Pentru transporturi comerciale, de ex. transporturi efectuate de terți sau agenți de expediere, se vor respecta cerințele speciale privind ambalarea și etichetarea. Pentru pregătirea articolului expedit, este necesară consultarea unui expert în domeniul materialelor periculoase. Vă rugăm să respectați de asemenea și reglementările naționale, care pot fi mai detaliate. Acoperiți cu bandă sau mascați contactele deschise și împachetați acumulatorul în așa fel încât să nu se poată deplasa în ambalaj.
- Când aruncați cartusul bateriei, scoateți-l din aparat și aruncați-l într-un loc sigur. Urmați reglementările locale referitoare la eliminarea acumulatorului.
- Utilizați acumulatorii numai cu produsele specificate de Makita. Instalarea acumulatorilor în produse neconforme poate provoca incendii, căldură excesivă, explozii sau scurgeri de electrolit.
- Dacă unealta nu este utilizată pentru o perioadă lungă de timp, acumulatorul trebuie să fie scos din unealtă.
- În timpul utilizării și după ea, blocul acumulator poate înmagazina căldură, ceea ce poate provoca arsuri sau arsuri la temperaturi scăzute. Atenție la manipularea blocurilor acumulator fierbinți.
- Nu atingeți borna echipamentului imediat după utilizare, deoarece ar putea fi suficient de fierbinte pentru a provoca arsuri.
- Nu permiteți așchiilor, prafului sau pământului să se blocheze în bornele, orificiile și canelurile blocului acumulator. Poate duce la performanțe slabe sau la defectarea echipamentului sau a blocului acumulator.
- Cu excepția cazului în care echipamentul permite utilizarea în apropierea liniilor electrice de înaltă tensiune, nu folosiți blocul acumulator în apropierea liniilor electrice de înaltă tensiune. Se poate provoca defectarea sau cedarea echipamentului sau a blocului acumulator.
- Nu lăsați acumulatorul la îndemâna copiilor.

PĂSTRAȚI ACESTE INSTRUCȚIUNI.

⚠ ATENȚIE: Utilizați numai acumulatori originali Makita. Utilizarea acumulatorilor Makita neoriginali sau a acumulatorilor care au fost modificați poate duce la explozia acumulatorului, provocând incendii, vătămări, personale și daune. De asemenea, se va anula garanția Makita pentru unealta și încărcătorul Makita.

Sfaturi pentru menținerea duratei maxime de viață utilă a acumulatorului

1. Încărcați blocul acumulator înainte de a fi descărcat complet. Scoateți întotdeauna din funcțiune unealta și încărcați blocul acumulatorului atunci când observați că unealta produce mai puțină putere.
2. Nu reîncărcați niciodată un bloc acumulator complet încărcat. Supraîncărcarea reduce durata de viață utilă a acumulatorului.
3. Încărcați blocul acumulator la temperatura camerei, în intervalul 10 °C - 40 °C (50 °F - 104 °F). Dacă blocul acumulator s-a încălzit, lăsați-l să se răcească înainte de încărcare.
4. Când nu utilizați blocul acumulator, scoateți-l din echipament sau din încărcător.
5. Încărcați blocul acumulator dacă nu îl utilizați pentru o perioadă lungă de timp (mai mult de șase luni).

DESCRIEREA FUNCȚIILOR

⚠ ATENȚIE: Asigurați-vă întotdeauna că unealta este oprită și că blocul acumulatorului este demontat înainte de reglarea sau verificarea funcțiilor uneltei.

Montarea sau demontarea blocului acumulator (Fig. 1)

⚠ ATENȚIE: Opriti întotdeauna instrumentul înainte de a scoate blocul acumulatorului.

⚠ ATENȚIE: Țineți ferm unealta și blocul acumulatorului atunci când montați sau demontați blocul acumulatorului. Dacă nu țineți ferm unealta și blocul acumulatorului, acestea vă pot aluneca din mâini, putând provoca deteriorarea uneltei și a blocului acumulator, precum și vătămări.

Pentru a scoate blocul acumulator, glisați-l din unealtă în timp ce glisați butonul din partea din față a blocului. Pentru a monta blocul acumulatorului, aliniați limba de pe blocul acumulatorului cu șanțul din carcasă și faceți-o să gliseze în poziție. Introduceți-o până când se angrenează și auziți un declic. Dacă puteți vedea indicatorul roșu, așa cum este prezentat în figura, acesta nu este blocat complet.

⚠ ATENȚIE: Instalați întotdeauna blocul acumulator până la capăt, până ce indicatorul roșu nu mai poate fi văzut. În caz contrar, acesta poate cădea accidental din unealtă, provocând vătămări corporale dumneavoastră sau unei persoane din apropiere.

⚠ ATENȚIE: Nu instalați cu forța blocul acumulatorului. Dacă blocul nu glisează ușor la introducerea, atunci nu este introdus corect.

Indicarea capacității rămase a acumulatorului (Fig. 2)

Apăsăți butonul de verificare de pe blocul acumulator pentru a vedea capacitatea rămasă a acumulatorului. Lămpile indicatoare se aprind timp de câteva secunde.

Lămpi indicatoare			Capacitate rămasă
Aprins	Oprit	Aprins intermitent	
■	□	◻	75 % - 100 %
■ ■ ■ ■	□ □ □ □	◻	
■ ■ ■ ■	□ □ □ □	◻	50 % - 75 %
■ ■ ■ ■	□ □ □ □	◻	25 % - 50 %
■ ■ ■ ■	□ □ □ □	◻	0 % - 25 %
◻	□ □ □ □	◻	Încărcați acumulatorul.
■ ■ ■ ■	□ □ □ □	◻	Este posibil ca acumulatorul să se fi defectat.
□ □ □ □	■ ■ ■ ■	◻	

NOTĂ: În funcție de condițiile de utilizare și de temperatura ambiantă, indicația poate diferi ușor de capacitatea efectivă.

NOTĂ: Prima lampă indicatoare (la stânga) se va aprinde intermitent când funcționează sistemul de protecție a bateriei.

Aprinderea luminii (Fig. 3)

⚠ ATENȚIE: Nu priviți în lumină și nu vă uitați direct în sursa de lumină.

Apăsăți butonul de alimentare pentru a aprinde lumina. Pentru a stinge lumina, apăsați din nou butonul de alimentare.

NOTĂ: Aparatul pornește în același mod ca la ultima setare.

Selectarea modului

În timp ce lumina este aprinsă, apăsați butonul **MODE** buton pentru a parcurge setările pentru **fascicul concentrat, proiector și fascicul concentrat + proiector**.

Porniți lumina stroboscopică (Fig. 4)

Apăsăți și mențineți apăsat butonul **MODE** până când aparatul comută pe modul **stroboscop**. Pentru a opri modul **stroboscop**, este suficient să apăsați butonul **MODE**.

Sistemul de protecție a aparatului/acumulatorului

Unealta este prevăzută cu un sistem de protecție, care întrerupe automat puterea produsă, pentru a prelungi durata de viață utilă.

Protecție la supradescarcare (Fig. 5)

Atunci când capacitatea bateriei scade, toate luminile LED se vor stinge, cu excepția unui singur LED. După aproximativ cinci-zece minute, sistemul întrerupe automat alimentarea.

Prevenții împotriva altor cauze

Sistemul de protecție este conceput și pentru alte cauze care ar putea deteriora aparatul și are funcția de oprire automată. Urmăriți următoarele etape pentru a elimina cauzele de oprire temporară sau oprire în timpul funcționării.

1. Opriti aparatul, apoi porniți-l din nou pentru a reporni.
2. Incarcați bateria (bateriile) sau înlocuiți-le (înlocuiți-le) cu bateria (bateriile) reincarcate/e.
3. Lasati aparatul si bateria (bateriile) sa se raceasca. Dacă prin restaurarea sistemului de protecție nu a adus nicio îmbunătățire, adresați-vă centrului local de service Makita.

Unghiul capului (Fig. 6)

⚠ ATENȚIE: Când schimbați unghiul capului, aveți grijă să nu vă prindeți degetele între cap și corpul uneltei.

Unghiul capului poate fi reglat în 4 trepte.

Cârlig (Fig. 7)

⚠ ATENȚIE: Când ridicați cârligul, aveți grijă să nu vă prindeți degetele între cârlig și corpul uneltei.

Bandă de umăr (Fig. 8)

Pentru a prinde banda de umăr, treceți-o prin clemele de la ambele capete.

⚠ ATENȚIE: Nu utilizați inelul și orificiul curelei în alte scopuri decât pentru agățarea aparatului. În caz contrar, poate provoca vătămări corporale.

ÎNȚREȚINEREA

⚠ ATENȚIE: Asigurați-vă întotdeauna că unealta este oprită și că blocul acumulatorului este scos înainte de a încerca să efectuați activități de inspectare sau întreținere.

OBSERVAȚIE: Nu folosiți niciodată benzină, diluant, alcool sau altele asemenea. Pot rezulta decolorări, deformări sau fisuri.

Pentru a menține SIGURANȚA ȘI FIABILITATEA produsului, reparațiile și orice altă operație de întreținere sau reglare trebuie efectuate de către centrele de service autorizate sau de către centrele de producător Makita, folosindu-se întotdeauna piese de schimb Makita.

ACCESORII OPȚIONALE

⚠ ATENȚIE: Aceste accesorii sau dispozitive auxiliare sunt recomandate pentru utilizarea cu unealta Makita specificată în acest manual. Utilizarea oricărui alt accesoriu sau dispozitiv auxiliar poate prezenta un risc de rănire pentru persoane. Utilizați accesoriile sau dispozitivele auxiliare numai în scopul declarat.

Dacă aveți nevoie de asistență sau mai multe detalii cu privire la aceste accesorii, adresați-vă centrului de service local Makita.

- Acumulator și încărcător originale Makita.

NOTĂ: Este posibil ca unele articole din listă să fie incluse în pachetul uneltei ca accesorii standard. Acestea pot varia în funcție de țară.

УКРАЇНСЬКА (Оригінальні інструкції)

Опис загального вигляду

- | | | | |
|---------------------------------|------------------------|-----------------------|--------------|
| 1. Картридж для акумулятора | 5. Контрольна кнопка | 9. Режим Spot + Flood | 13. Затискач |
| 2. Червоний індикатор | 6. Кнопка живлення | 10. Режим Spot | |
| 3. Кнопка вимкнення акумулятора | 7. Кнопка MODE (Режим) | 11. Гачок | |
| 4. Індикаторні лампи | 8. Режим Flood | 12. Наплічний ремінь | |

ТЕХНІЧНІ ХАРАКТЕРИСТИКИ

Модель	ML007G
Світлодіод	Spot: 1 шт. / Flood: 16 шт. (Strobe: 17 шт.)
Розміри (Д × Ш × В)	323 мм × 120 мм × 118 мм
Номинальна напруга	Макс.36 - 40В постійного струму
Вага нетто (без картриджа для акумулятора та плечовий ремінець)	0,95 kg

- У зв'язку з нашою постійною програмою досліджень та розробок технічні характеристики можуть змінюватися без попереднього повідомлення.
- Технічні характеристики можуть відрізнятися в залежності від країни.
- Розміри вказані з BL4025 і з передньої частиною вперед.

Застосовні картридж для акумулятора й зарядний пристрій

Картридж для акумулятора	BL4020 / BL4025 / BL4040 / BL4050F / BL4080F
Зарядний пристрій	DC40RA / DC40RB / DC40RC

- Залежно від регіону проживання деякі з перелічених вище акумуляторних картриджів можуть не бути у наявності.

⚠ ПОПЕРЕДЖЕННЯ: Використовуйте лише перелічені вище картриджі для акумуляторів та зарядних пристроїв. Використання будь-яких інших акумуляторних картриджів і зарядних пристроїв може призвести до травм і/або займання.

Час роботи

Картридж для акумулятора	Час роботи (приблизно)			
	Spot	Flood	Spot + Flood	Strobe
BL4020	5,0 годин	5,0 годин	3,5 годин	5,0 годин
BL4025	6,5 годин	6,5 годин	4,5 годин	6,5 годин
BL4040	10 годин	10 годин	7,5 годин	10 годин
BL4050F	13 годин	13 годин	9,5 годин	13 годин
BL4080F	22 годин	22 годин	16 годин	22 годин

- Час роботи у вищенаведеній таблиці — це приблизний орієнтир. Він може відрізнятися від фактичного часу роботи.
- Час роботи може відрізнятися залежно від типу батареї, стану заряду та умови використання.
- Картридж для акумулятора може відрізнятися в залежності від країни.

Символи

Далі показані символи, використані для обладнання. Перед використанням переконайтеся, що ви розумієте їх значення.



- Ознайомтесь з інструкцією з експлуатації



- Лише для використання в приміщенні



- Тільки для країн ЄС

Через наявність небезпечних компонентів в обладнанні, відпрацьоване електричне та електронне обладнання, акумулятори та батареї можуть мати негативний вплив на навколишнє середовище та здоров'я людей.

Не викидайте електричні або електронні прилади та батареї разом з побутовими відходами!

Відповідно до директиви ЄС про відпрацьоване електричне та електронне обладнання, акумулятори та батареї та відпрацьовані акумулятори та батареї, а також її адаптації до національного законодавства, відпрацьоване електричне обладнання, батареї та акумулятори слід зберігати окремо та доставляти до окремого пункту збору для побутових відходів, що діють відповідно до нормативно-правових актів про охорону навколишнього середовища.

На це вказує символ перекресленого контейнеру на колесах, розміщений на обладнанні.



- Оптичне випромінювання (УФ та ІЧ). Зведіть до мінімуму вплив на очі або шкіру.



- Не дивіться на лампу, що працює.



- Використовуйте відповідне екранування або захист очей.



- Проявляйте особливу обережність і уважність!

ПОПЕРЕДЖЕННЯ З ПИТАНЬ БЕЗПЕКИ

ВАЖЛИВІ ІНСТРУКЦІЇ З БЕЗПЕКИ

⚠ ПОПЕРЕДЖЕННЯ: При використанні електроінструментів завжди слід дотримуватися основних запобіжних заходів, щоб знизити ризик виникнення пожежі, ураження електричним струмом і отримання травм, також:

ОЗНАЙОМТЕСЬ З УСИМА ІНСТРУКЦІЯМИ.

1. Не дивіться на світло та не направляйте світло в очі. Очі можна пошкодити
2. Не накривайте лампу тканиною або картонною коробкою тощо, оскільки це може призвести до займання.
3. Прилад не є водонепроникним. Не використовуйте його у вологих приміщеннях. Не користуйтеся ним у сніг чи дощ. Не мийте його водою.
4. Не торкайтесь деталей всередині приладу пінцетом, металевими інструментами тощо.
5. Якщо прилад не використовується, завжди вимикайте його й витягайте акумуляторний картридж із приладу.
6. Прилад не можна кидати, ударяти тощо.
7. Інформація щодо безпеки для портативних світильників з акумуляторними батареями.
 - Утилізація акумуляторної батареї повинна відповідати місцевим нормативним вимогам, які стосуються утилізації небезпечних матеріалів.
 - Не спалюйте акумуляторну батарею.
8. Додаткова інформація щодо світильників.
 - Джерело світла цього світильника не підлягає заміні; після закінчення терміну служби джерела світла, світильник має бути замінено.
9. Користування та догляд за акумуляторним інструментом.
 - **ПОПЕРЕДЖЕННЯ:** Ознайомтеся з усіма попередженнями й інструкціями з безпеки. Недотримання вимог, які містяться в попередженнях та інструкціях, може призвести до удару електричним струмом, пожежі та/або серйозних ушкоджень.
 - Запобігайте ненавмисному пуску. Перед підключенням до акумуляторного блоку, підняттям чи перенесенням приладу переконайтеся, що вимикач перебуває у вимкненому положенні. Якщо при перенесенні ви будете тримати палець на вимикачі приладу або заряджати його, це може призвести до нещасних випадків.
 - Перед будь-якими налаштуваннями, зміною приладдя чи зберіганням приладу від'єднайте акумуляторний блок від приладу. Такі профілактичні заходи знижують ризик випадкового запуску приладу.
 - Заряджайте тільки за допомогою зарядного пристрою, вказаного виробником. Зарядний пристрій, що підходить для одного типу акумуляторних блоків, може створити небезпеку займання при використанні з іншим акумуляторним блоком.
 - Використовуйте прилади лише із спеціально призначеними акумуляторними блоками. Використання будь-яких інших акумуляторних батарей може призвести до травм і займання.

- Якщо акумуляторний блок не використовується, тримайте його подалі від інших металевих предметів, таких як скріпки для паперу, монети, ключі, цвяхи, гвинти або інші дрібні металеві предмети, які можуть з'єднати один контактний вивід з іншим. Коротке замикання на клемах акумулятора може призвести до опіків або займання.
- За неналежних умов рідина може викидатися з акумулятора; уникайте контактів. Якщо контакт трапився випадково, то змийте її водою. Якщо рідина потрапила в очі, додатково зверніться за медичною допомогою. Рідина, що викидається з акумулятора, може викликати подразнення або опіки.
- Не використовуйте пошкоджений чи змінений акумуляторний блок чи прилад. У пошкоджених або змінених батареї може бути непередбачувана поведінка, що може призвести до займання, вибуху або ризику травматизму.
- Не піддавайте акумуляторний блок або прилад впливу вогню або надмірної температури. Вплив вогню або температура більш 130 °C (265 °F) може призвести до вибуху.
- Дотримуйтеся усіх інструкцій по заряджанню та не заряджайте акумулятор або прилад поза діапазоном температур, зазначеним в інструкції. Неправильне заряджання або заряджання при температурах, що виходять за межі зазначеного діапазону, може призвести до пошкодження акумулятора і підвищення ризику загоряння.
- Обслуговування повинно проводитися кваліфікованим фахівцем з ремонту з використанням тільки ідентичних запасних частин. Це забезпечить збереження безпеки виробу.
- Не змінюйте і не намагайтеся відремонтувати прилад або акумуляторний блок, за винятком випадків, зазначених в інструкції з експлуатації та обслуговування.

- Не спалюйте акумуляторний картридж, навіть якщо він сильно пошкоджений або повністю зношений. Акумуляторний картридж може вибухнути при займанні.
- Не pribивайте цвяхами, не ріжте, не розчавлюйте, не кидайте пристрій, не кидайте акумуляторний картридж і не бийте твердими предметами по цьому. Це може призвести до пожежі, перегріву або вибуху.
- Не використовуйте пошкоджену батарею.
- Літій-іонні батареї підпадають під дію вимог законодавства про небезпечні товари. При комерційних перевезеннях, наприклад, третіми особами, експедиторами, треба дотримуватися особливих вимог щодо упаковки та маркування. Для підготовки товару для відправлення необхідна консультація з експертом з питань небезпечних матеріалів. Будь ласка, дотримуйтеся, по можливості, більш детальних національних нормативів. Заклейте стрічкою або закрийте відкриті контакти й упакуйте батарею таким чином, щоб вона не могла пересуватися по упаковці.
- При утилізації акумуляторного картриджа, вийміть його з приладу та утилізуйте в безпечному місці. Дотримуйтеся місцевих нормативів, що стосуються утилізації акумулятора.
- Використовуйте батареї тільки з виробами, зазначеними Makita. Установка батареї на невідповідні вироби може привести до пожежі, перегріву, вибуху або витоку електричності.
- Якщо пристрій не використовується протягом тривалого періоду часу, батарея повинна бути витягнута з пристрою.
- Під час і після використання акумуляторний картридж може нагріватися, що може призвести до звичайних опіків або низькотемпературних опіків. Зверніть увагу на поведінку з гарячими акумуляторними картриджами.
- Не торкайтеся клем інструменту відразу після використання, оскільки вони можуть нагрітися достатньо, щоб викликати опіки.
- Не допускайте попадання стружки, пилу або ґрунту в клему, отвори й пази акумуляторного картриджа. Це може призвести до поганої роботи або поломки інструмента або акумуляторного картриджа.
- Якщо інструмент не дозволений для використання поблизу високовольтних ліній електропередачі, не використовуйте акумуляторний картридж поблизу високовольтних ліній електропередачі. Це може призвести до виникнення несправності або поломки інструмента або картриджа.
- Зберігайте акумуляторну батарею в місцях, недоступних для дітей.

Важливі інструкції з безпеки для акумуляторного картриджа

- Перш ніж використовувати акумуляторний картридж, ознайомтеся з усіма вказівками та попереджувальними позначками на (1) зарядному пристрої (2) акумуляторі та (3) виробі, у якому використовується акумулятор.
- Не розбирайте й не відкривайте акумуляторний картридж. Це може призвести до пожежі, перегріву або вибуху.
- Якщо час роботи став надмірно коротким, негайно припиніть роботу. Це може призвести до ризику перегріву, можливих опіків і навіть вибуху.
- Якщо електричність потрапив вам в очі, негайно промийте їх чистою водою і зверніться до лікаря. Це може призвести до втрати зору.
- Не закорочуйте акумуляторний картридж.
- (1) Не торкайтеся клем будь-яким провідним матеріалом.
- (2) Уникайте зберігання акумуляторного картриджа в контейнері з іншими металевими предметами, такими як цвяхи, монети тощо.
- (3) Не допускайте попадання води або дощу на акумуляторний картридж. Коротке замикання на батареї може викликати струм великої сили, перегрів, можливі опіки і навіть поломку.
- Не зберігайте й не використовуйте інструмент і акумуляторний картридж у місцях, де температура може досягти або перевищити 50 °C (122 °F).

ЗБЕРІГАЙТЕ ЦІ ІНСТРУКЦІЇ.

▲ ПОПЕРЕДЖЕННЯ: Використовуйте тільки оригінальні акумулятори Makita. Використання неоригінальних акумуляторних батарей Makita або модифікованих акумуляторних батарей може призвести до розриву акумуляторної батареї, що спричинить займання, травми й пошкодження. Це також призведе до скасування гарантії Makita на прилад та зарядний пристрій Makita.

Поради щодо забезпечення максимального терміну служби батареї

1. Перед повним розрядженням зарядіть акумуляторний картридж. Завжди зупиняйте роботу інструменту і заряджайте акумуляторний картридж, коли ви помічаєте меншу потужність інструменту.
2. Ніколи не заряджайте повністю заряджений акумуляторний картридж. Надмірне зарядження скорочує термін служби батареї.
3. Заряджайте акумуляторний картридж при кімнатній температурі в діапазоні 10 °C - 40 °C (50 °F - 104 °F). Дайте гарячому акумуляторному картриджу охолонути перед зарядженням.
4. Якщо акумуляторний картридж не використовується, вийміть його з пристрою або зарядного пристрою.
5. Зарядіть акумуляторний картридж, якщо ви не використовуєте його протягом тривалого періоду (понад шість місяців).

ТЕХНІЧНИЙ ОПИС

⚠ ПОПЕРЕДЖЕННЯ: Завжди перед регулюванням або перевіркою функціональності інструменту, перевіряйте, щоб інструмент був вимкнений і акумуляторна батарея витягнута.

Встановлення або демонтаж картриджу для акумулятора (Fig. 1)

⚠ ПОПЕРЕДЖЕННЯ: Перед демонтажем картриджу для акумулятора завжди вимикайте інструмент.

⚠ ПОПЕРЕДЖЕННЯ: Під час встановлення або демонтажу обережно тримайте інструмент і картридж для акумулятора. Невиконання цієї вимоги може призвести до того, що інструмент або картридж вислизне з рук і приведе до їх пошкодження або персональної травми.

Щоб витягти акумуляторний картридж, висуньте його з приладу, одночасно натискаючи кнопку на передній панелі картриджа. Щоб встановити картридж для акумулятора, вирівняйте язичок на батарейному патроні з пазом в корпусі і встановіть його на місце. Вставте його до кінця, поки він не зафіксується на місці невеликим клацанням. Якщо ви бачите червоний індикатор, як показано на малюнку, це вказує на те, що прилад заблоковано не повністю.

⚠ ПОПЕРЕДЖЕННЯ: Завжди встановлюйте акумуляторний картридж повністю, поки не щезне червоний індикатор. В іншому випадку, він може випадково випасти з інструменту і спричинити травми вас або травму тих, хто знаходиться поруч.

⚠ ПОПЕРЕДЖЕННЯ: Не встановлюйте акумуляторний картридж із застосуванням сили. Якщо картридж не ковзає легко, то він не вставляється правильно.

Індикація залишкової ємності акумулятора (Fig. 2)

Натисніть контрольну кнопку на акумуляторному картриджі, щоб перевірити залишкову ємність акумулятора. Індикаторні лампи засвітаються на кілька секунд.

Індикаторні лампи			Залишкова ємність
Світить	Вимкнений	Блимає	
■	□	◐	75 % - 100 %
■	■	□	50 % - 75 %
■	■	□	25 % - 50 %
■	□	□	0 % - 25 %
◐	□	□	Заряджайте батарею.
■	■	□	Можливо, батарея вийшла з ладу.
□	□	■	

ПРИМІТКА: Залежно від умов використання та температури навколишнього середовища індикація може дещо відрізнятися від фактичної ємності.

ПРИМІТКА: Перша (крайня ліва) індикаторна лампа загоріться, коли спрацює система захисту акумулятора.

Вмикання світла (Fig. 3)

⚠ ПОПЕРЕДЖЕННЯ: Не дивіться на світло або на джерело світла напряму.

Натисніть кнопку живлення, щоб увімкнути світло. Щоб вимкнути світло, ще раз натисніть кнопку живлення.

ПРИМІТКА: Обладнання увімкнеться у тому ж режимі, що був налаштований минулого разу.

Вибір режиму

При увімкненому світлі натисніть кнопку **MODE**, щоб продивитись налаштування режимів **spot**, **flood** та **spot + flood**.

Увімкнення стробоскопу (Fig. 4)

Натисніть і утримуйте кнопку **MODE**, доки обладнання не перейде в режим **strobe**. Щоб вимкнути режим **strobe**, просто натисніть кнопку **MODE**.

Система захисту приладу/ акумуляторної батареї

Прилад обладнано системою захисту, яка автоматично відключає живлення для більш тривалого терміну служби.

Захист від надмірного розряду (Fig. 5)

При низькій ємкості акумулятора, всі світлодіодні індикатори гаснуть, крім одного. Приблизно через п'ять-десять хвилин система автоматично відключає живлення.

Захист від інших факторів

Система захисту також призначена для інших факторів, які можуть призвести до пошкодження приладу, і дозволяє приладу зупинятися автоматично. Виконайте всі наступні дії, щоб усунути фактори, що можуть призвести до тимчасової зупинки або припинення роботи приладу.

1. Вимкніть прилад, після чого увімкніть його знову, щоб перезапустити.
2. Зарядіть акумулятор (и) або замініть його (їх) на перезаряджений (і) акумулятор (и).
3. Дайте приладу та акумулятору (ам) охолонути. Якщо відновлення системи не усуває проблему, зверніться до місцевого сервісного центру Makita.

Кут головки (Fig. 6)

⚠ ПОПЕРЕДЖЕННЯ: При зміні кута головки будьте обережні, щоб ваші пальці не потрапили у проміжок між голівкою і корпусом інструмента.

Кут головки можна розташувати у 4 положеннях.

Гак (Fig. 7)

⚠ ПОПЕРЕДЖЕННЯ: При піднятті гака будьте обережні, щоб ваші пальці не потрапили у проміжок між голівкою і корпусом інструмента.

Плечовий ремінець (Fig. 8)

Плечовий ремінець можна зафіксувати затискачами на обох кінцях.

⚠ ПОПЕРЕДЖЕННЯ: Не використовуйте кільце для будь-яких інших цілей, крім підвішування приладу. Інакше, це може призвести до травм

ТЕХНІЧНЕ ОБСЛУГОВУВАННЯ

⚠ ПОПЕРЕДЖЕННЯ: Перед проведенням огляду або технічного обслуговування завжди перевіряйте, щоб інструмент був вимкнений і а картридж для акумулятора витягнутий.

ПРИМІТКА: Ніколи не використовуйте бензин, розчинник, розріджувач, спирт тощо. Це може привести до знебарвлення, деформації або утворення тріщин.

Для забезпечення БЕЗПЕКИ і НАДІЙНОСТІ виробу, ремонт, будь-яке інше технічне обслуговування або регулювання повинні виконуватися авторизованими або заводськими сервісними центрами Makita, завжди з використанням запасних частин Makita.

ДОДАТКОВЕ ПРИЛАДДЯ

⚠ ПОПЕРЕДЖЕННЯ: Це приладдя або додаткові пристрої рекомендовані для використання з інструментом Makita, зазначеним у цьому посібнику. Використання будь-якого іншого приладдя або пристосувань може становити небезпеку отримання травм. Використовуйте приладдя або насадку тільки за призначенням.

Якщо вам потрібна додаткова інформація щодо цього приладдя, зверніться до місцевого сервісного центру Makita.

- Оригінальні батарея і зарядний пристрій Makita.

ПРИМІТКА: Деякі найменування зі списку можуть бути включені у пакування інструменту в якості стандартного приладдя. Вони можуть відрізнятися в залежності від країни.

РУССКИЙ (Оригинальные инструкции)

Объяснение общего вида

- | | | | |
|--------------------------------------|------------------------|---|---------------------|
| 1. Аккумуляторная батарея | 4. Лампы индикаторов | 9. Режим направленного света + режим общего света | 12. Плечевой ремень |
| 2. Индикатор красного цвета | 5. Кнопка проверки | 10. Режим направленного света | 13. Зажим |
| 3. Кнопка разблокировки аккумулятора | 6. Кнопка питания | 11. Крючок | |
| | 7. Кнопка смены режима | | |
| | 8. Режим общего света | | |

ТЕХНИЧЕСКИЕ ХАРАКТЕРИСТИКИ

Модель	ML007G
Светодиоды	Направленный свет: 1 шт. /Общий свет: 16 шт. (Стrobe/мигающий свет: 17 шт.)
Габаритные размеры (Д × Ш × В)	323 мм × 120 мм × 118 мм
Номинальное напряжение	36 В -40 В постоянного тока макс.
Масса-нетто (без аккумуляторной батареи и плечевой ремень)	0,95 кг

- Мы не прекращаем совершенствовать и дорабатывать нашу продукцию, поэтому технические характеристики, указанные в данной документации, могут изменяться без уведомления.
- Технические характеристики могут отличаться в разных странах.
- Размеры указаны для BL4025 и головной частью вперед.

Совместимые аккумуляторные батареи и зарядные устройства

Аккумуляторная батарея	BL4020 / BL4025 / BL4040 / BL4050F / BL4080F
Зарядное устройство	DC40RA / DC40RB / DC40RC

- В некоторые страны указанные выше аккумуляторные батареи не поставляются.

⚠ ПРЕДУПРЕЖДЕНИЕ: Используйте только перечисленные выше аккумуляторные батареи и зарядные устройства. Использование любых других батарей и зарядных устройств может привести к травмам и/или возгоранию.

Время работы

Аккумуляторная батарея	Время работы (приблизительное)			
	Направленный свет	Общий свет	Направленный свет + общий свет	Стrobe/мигающий свет
BL4020	5,0 часов	5,0 часов	3,5 часов	5,0 часов
BL4025	6,5 часов	6,5 часов	4,5 часов	6,5 часов
BL4040	10 часов	10 часов	7,5 часов	10 часов
BL4050F	13 часов	13 часов	9,5 часов	13 часов
BL4080F	22 часов	22 часов	16 часов	22 часов

- Время работы в приведенной выше таблице является приблизительным. Фактическое время работы может отличаться.
- Время работы зависит от типа батареи, состояния заряда и условий эксплуатации.
- Аккумуляторные батареи могут отличаться в разных странах.

Условные обозначения

Ниже показаны символы, используемые для оборудования. Убедитесь, что вы понимаете их значение перед работой.



- Изучите руководство по эксплуатации



- Только для внутренних работ



- Только для стран ЕС
- Поскольку в оборудовании есть опасные компоненты, отработанное электрическое и электронное оборудование, аккумуляторы и батареи могут оказывать негативное воздействие на окружающую среду и здоровье человека.

Не выбрасывайте электрические и электронные приборы или батареи вместе с бытовыми отходами!

В соответствии с Европейской директивой об отработанном электрическом и электронном оборудовании, аккумуляторах и батареях и отработанных аккумуляторах и батареях, а также с адаптацией к национальному законодательству, отработанное электрическое оборудование, батареи и аккумуляторы следует хранить отдельно и отправлять в отдельный пункт сбора для бытовых отходов, работающий в соответствии с нормами об охране окружающей среды

Он обозначается символом перечеркнутого мусорного бака на колесах, размещенного на оборудовании.

- Оптическое излучение (УФ и ИК). Сведите воздействие на глаза и кожу к минимуму.



- Не смотрите на работающий фонарь.



- Используйте подходящую защиту для глаз.



- Соблюдайте особую осторожность!



ПРЕДУПРЕЖДЕНИЯ ПО ТЕХНИКЕ БЕЗОПАСНОСТИ

ВАЖНЫЕ ИНСТРУКЦИИ ПО ТЕХНИКЕ БЕЗОПАСНОСТИ

▲ ПРЕДУПРЕЖДЕНИЕ: При использовании электроинструментов всегда следует соблюдать основные меры предосторожности, чтобы снизить риск возникновения пожара, поражения электрическим током и получения травм, в том числе:

ИЗУЧИТЕ ВСЕ ИНСТРУКЦИИ.

1. Не смотрите на свет, не подвергайте глаза воздействию света. Это может привести к ухудшению зрения.
2. Не накрывайте прибор тканью, картоном или другими материалами. Это может привести к возгоранию.
3. Прибор не является водонепроницаемым. Не используйте его в сырых или влажных местах. Не подвергайте его воздействию дождя или снега. Не промывайте его водой.
4. Не касайтесь прибора пинцетом, металлическими инструментами и т.д.
5. Если прибор не используется, обязательно выключите его и извлеките аккумуляторную батарею.
6. Не подвергайте прибор ударам, падению и т.д.
7. Информация по безопасности для аккумуляторных переносных осветительных приборов.
 - Батарею следует утилизировать в соответствии с местными нормами и правилами утилизации опасных материалов.
 - Батарею не сжигать.
8. Дополнительная информация по осветительным приборам.
 - Источник света данного светильника не подлежит замене; по истечении ресурса источника света светильник полностью подлежит замене.
9. Использование и уход за аккумулятором.
 - **ПРЕДУПРЕЖДЕНИЕ:** Прочитайте все предупреждения и инструкции по технике безопасности. Несоблюдение предупреждений и инструкций может привести к поражению электрическим током, пожару и/или серьезной травме.
 - Избегайте случайного включения. Перед подключением аккумуляторных батарей, подъема или переноски прибора убедитесь, что выключатель находится в отключенном положении. При переноске прибора не кладите палец на выключатель, а также не подключайте питание, если выключатель находится во включенном положении. Это может привести к несчастному случаю.
 - Перед выполнением регулировок, сменой принадлежностей или при длительном хранении прибора обязательно вынимайте аккумуляторные батареи из прибора. Эти меры предосторожности снижают риск случайного включения прибора.
 - Используйте только зарядное устройство, поставляемое изготовителем. Зарядное устройство, предназначенное под конкретный тип аккумуляторной батареи, может привести к возгоранию, если будет использовано для неподходящей батареи.
 - Используйте только специальные аккумуляторные батареи для прибора. Неподходящие аккумуляторные батареи могут привести к получению травм или вызвать возгорание.
 - Неиспользуемую аккумуляторную батарею храните вдали от металлических предметов, например канцелярских скрепок, монет, ключей, гвоздей и прочих небольших металлических предметов, которые могут замкнуть клеммы аккумулятора. Замыкание клемм аккумулятора может привести к получению ожогов или вызвать возгорание.

- При неправильной эксплуатации из батареи может вытечь электролитическая жидкость. Избегайте контакта с ней. В случае случайного соприкосновения промойте водой. Если эта жидкость попадет в глаза, обратитесь за медицинской помощью. Жидкость из батареи может вызвать раздражение или ожоги.
- Запрещается использовать поврежденную или измененную аккумуляторную батарею или прибор. Поврежденные или измененные батареи могут работать непредсказуемо и стать причиной возгорания, взрыва или получения травм.
- Не подвергайте аккумуляторную батарею или прибор воздействию огня или чрезмерно высокой температуры. Воздействие огня или температуры выше 130°C (265°F) может привести к взрыву.
- Соблюдайте инструкции по зарядке аккумуляторной батареи или прибора, в частности указанный диапазон температур. Неправильная зарядка или нарушение указанного диапазона температур могут повредить батарею и повысить опасность возгорания.
- Сервисное обслуживание должен проводить только квалифицированный специалист, используя подходящие запасные части. Это обеспечит безопасность прибора.
- Запрещается вносить изменения в конструкцию прибора или аккумуляторной батареи или проводить их ремонт, за исключением процедур, указанных в инструкции по эксплуатации и обслуживанию.
- На литий-ионные батареи распространяются требования Законодательства об опасных грузах. При коммерческих перевозках, например, третьими лицами или транспортно-экспедиционными агентствами, необходимо соблюдать специальные требования к упаковке и маркировке. Для подготовки груза к отправке проконсультируйтесь с экспертом по опасным материалам. Кроме того, соблюдайте требования более подробных национальных нормативов. Оберните лентой или прикройте открытые контакты; расположите батарею в упаковке так, чтобы она лежала неподвижно.
- Для утилизации батарейного картриджа извлеките его из прибора и утилизируйте в безопасном месте. При утилизации батареи соблюдайте местные нормативные требования.
- Используйте батареи только с продуктами, указанными Makita. Установка батарей в несоевместимые изделия может привести к возгоранию, перегреву, взрыву или утечке электролита.
- Если прибор не используется длительное время, извлеките из него батарею.
- Аккумуляторная батарея может быть горячей во время и после использования, что может вызвать обычные или низкотемпературные ожоги. При обращении с горячей аккумуляторной батареей будьте особо осторожны.
- Не касайтесь клемм прибора непосредственно после использования, так как они могут нагреться до такой степени, что могут вызвать ожоги.
- Не допускайте попадания стружки, пыли или грязи в клеммы, отверстия и пазы аккумуляторной батареи. Это может привести к снижению производительности или поломке прибора или аккумуляторной батареи.
- Если прибор не предназначен для использования вблизи высоковольтных линий электропередач, не используйте аккумуляторную батарею в таких местах. Это может привести к неисправности или поломке прибора или аккумуляторной батареи.
- Батарею следует хранить в недоступном для детей месте.

Важные правила техники безопасности при обращении с аккумуляторной батареей

- Перед использованием аккумуляторной батареи изучите все инструкции и предупреждающие маркировки, указанные на зарядном устройстве батареи (1), самой батарее (2) и изделии (3), куда вставляется батарея.
- Не разбирайте и не пытайтесь ремонтировать аккумуляторную батарею. Это может привести к возгоранию, перегреву или даже взрыву прибора.
- Если время работы резко сократилось, прекратите работу. Продолжение работы может привести к перегреву, получению ожогов и даже взрыву.
- При попадании электролита в глаза промойте их чистой водой и немедленно обратитесь за медицинской помощью. В противном случае это может привести к потере зрения.
- Не закорачивайте аккумуляторную батарею.
- (1) Не прикасайтесь к клеммам материалами, проводящими электричество.
- (2) Избегайте хранения аккумуляторной батареи в контейнере с другими металлическими предметами, такими как гвозди, монеты и т. д.
- (3) Не подвергайте аккумуляторную батарею воздействию воды или дождя. Короткое замыкание батареи может создать сильный ток, вызвать перегрев, ожоги и даже разрыв батареи.
- Не храните и не используйте прибор и аккумуляторную батарею в местах, где температура может достигать или превышать 50°C (122°F).
- Запрещается сжигать аккумуляторную батарею, даже если она сильно повреждена или полностью изношена. Аккумуляторная батарея может взорваться в огне.
- Не прибивайте гвоздями, не режьте, не ломайте, не бросайте, не роняйте аккумуляторную батарею и не бейте по ней твердым предметом. Это может привести к возгоранию, перегреву или даже взрыву.
- Запрещается использовать поврежденную батарею.

СОХРАНИТЕ ЭТИ ИНСТРУКЦИИ.

▲ ВНИМАНИЕ: Используйте только оригинальные аккумуляторы Makita. Использование батарей от сторонних изготовителей или батарей с измененной конструкцией может привести к их разрыву и, как следствие, к возгораниям, травмам и повреждениям. Кроме того, это приведет к отмене гарантии Makita на прибор и зарядное устройство.

Советы по продлению срока службы батареи

1. Заряжайте аккумуляторную батарею, не дожидаясь полной разрядки. Всегда останавливайте работу инструмента и заряжайте аккумуляторную батарею, когда вы замечаете, что мощность инструмента падает.
2. Запрещается заряжать полностью заряженную батарею. Избыточный заряд сокращает срок службы батареи.
3. Заряжайте аккумуляторную батарею при температуре 10–40°C (50–104°F). Если аккумуляторная батарея горячая, подождите, пока она остынет, и заряжайте только после этого.
4. Извлеките аккумуляторную батарею из прибора или зарядного устройства, если она не используется.
5. Зарядите аккумуляторную батарею, если она не использовалась длительное время (более шести месяцев).

ФУНКЦИОНАЛЬНОЕ ОПИСАНИЕ

⚠ ВНИМАНИЕ: Убедитесь, что инструмент выключен и аккумуляторная батарея извлечена перед регулировкой или проверкой функций инструмента.

Установка или извлечение аккумуляторной батареи (Fig. 1)

⚠ ВНИМАНИЕ: Всегда выключайте инструмент перед извлечением аккумуляторной батареи.

⚠ ВНИМАНИЕ: При установке или извлечении аккумуляторной батареи крепко держите инструмент и саму батарею. Если вы не будете крепко держать инструмент и аккумуляторную батарею, они могут выскользнуть из рук, что приведет к повреждению инструмента и батареи, а также к травмам.

Чтобы извлечь аккумуляторную батарею, достаньте ее из прибора, нажав на кнопку перед ней. Чтобы установить аккумуляторную батарею, совместите язычок на ней с пазом в корпусе и вставьте батарею на место. Полностью вставьте батарею до щелчка. Если красный индикатор виден, как показано на рисунке, значит, заблокировано не полностью.

⚠ ВНИМАНИЕ: Устанавливайте аккумуляторную батарею полностью, чтобы красный индикатор не был виден. В противном случае батарея может случайно выпасть из инструмента, что может причинить травму вам или окружающим.

⚠ ВНИМАНИЕ: Не вставляйте аккумуляторную батарею с усилием. Если батарея не входит легко, значит вы устанавливаете ее неправильно.

Индикация оставшейся емкости аккумулятора (Fig. 2)

Чтобы посмотреть оставшийся заряд батареи, нажмите на кнопку, расположенную на батарее. Индикаторы загораются на несколько секунд.

Лампы индикаторов			Оставшийся заряд
Вкл	Выкл	Мигает	
■	□	▧	
■ ■ ■ ■			от 75 % до 100 %
■ ■ ■ □			от 50 % до 75 %
■ ■ □ □			от 25 % до 50 %
■ □ □ □			от 0 % до 25 %
▧ □ □ □			Зарядите батарею.
■ ■ □ □	↑ ↓		Возможна неисправность батареи.
□ □ ■ ■			

ПРИМЕЧАНИЕ: В зависимости от условий эксплуатации и температуры окружающей среды индикация может незначительно отличаться от фактической емкости.

ПРИМЕЧАНИЕ: При срабатывании системы защиты батареи начинается мигать первый (крайний левый) индикатор.

Включите освещение (Fig. 3)

⚠ ВНИМАНИЕ: Не смотрите на прямой источник света.

Нажмите кнопку питания, чтобы зажечь свет. Чтобы выключить свет, снова нажмите кнопку питания.

ПРИМЕЧАНИЕ: Устройство включается в том же режиме, что и в предыдущем цикле настроек.

Выбор режима

Когда свет включен, нажмите кнопку **режима (MODE)** для того чтобы запустить цикл настроек **направленного, общего света и направленного + общего света**.

Включите стробирующее освещение (Fig. 4)

Нажмите и удерживайте кнопку режима (MODE), пока устройство не перейдет в режим **стробоскопа**. Чтобы отключить режим **стробоскопа**, просто нажмите кнопку **режима (MODE)**.

Система защиты прибора/батареи

Прибор оснащен системой защиты, которая автоматически отключает выходную мощность для сохранения длительного срока службы.

Защита от перегрузки (Fig. 5)

Когда емкость батареи становится низкой, светодиодные индикаторы гаснут, кроме одного светодиода. После этого приблизительно через пятьдесят минут система автоматически отключает питание.

Защита от других причин

Система защиты также разработана для устранения других причин, которые могут повредить прибор, система позволяет прибору автоматически останавливаться. Чтобы устранить причины временной остановки или остановки в ходе работы прибора, примите все нижеследующие меры.

1. Выключите прибор, а затем снова включите его, чтобы перезапустить.
2. Зарядите батарею (-и) или замените её/их заряженной(-ыми) батареей(-ями).
3. Дайте прибору и батарее (-ям) остыть.
Если посредством восстановления системы защиты не удастся добиться улучшения, обратитесь в местный сервисный центр Makita.

Угол наклона головки (Fig. 6)

⚠ ВНИМАНИЕ: При изменении угла наклона головки будьте осторожны, чтобы не зажать пальцы между головкой и корпусом инструмента.

Угол наклона головки можно регулировать в 4 этапа.

Крючок (Fig. 7)

⚠ ВНИМАНИЕ: Поднимая крючок, будьте осторожны, чтобы не зажать пальцы между крючком и корпусом инструмента.

Плечевой ремень (Fig. 8)

Плечевой ремень может быть установлен с помощью зажимов на обоих концах.

⚠ ВНИМАНИЕ: Не следует использовать кольцо для каких-либо других целей, кроме подвешивания прибора. В противном случае можно получить травмы.

ОБСЛУЖИВАНИЕ

⚠ ВНИМАНИЕ: Всегда проверяйте, что инструмент выключен и аккумуляторная батарея извлечена, прежде чем пытаться выполнить осмотр или провести техническое обслуживание.

ПРИМЕЧАНИЕ: Запрещается использовать бензин, бензол, растворитель, спирт и подобные вещества. Это может привести к потере цвета, деформации и трещинам.

Ремонт и любое другое техническое обслуживание или регулировка должны выполняться авторизованными или заводскими сервисными центрами Makita. При этом всегда должны использоваться оригинальные запасные части Makita. Это обеспечивает безопасность и надежность изделия.

ДОПОЛНИТЕЛЬНЫЕ АКСЕССУАРЫ

⚠ ВНИМАНИЕ: Эти аксессуары или дополнительные элементы рекомендуется использовать с инструментом Makita, который указан в данном руководстве. Использование других аксессуаров или принадлежностей может привести к получению травм. Используйте аксессуары или принадлежности только по назначению.

Если вам нужна помощь в получении более подробной информации об этих аксессуарах, обратитесь в ваш Сервисный центр Makita.

- Оригинальная батарея и зарядное устройство Makita.

ПРИМЕЧАНИЕ: Некоторые элементы из списка могут быть включены в пакет в качестве стандартных аксессуаров. Комплект поставки может отличаться в разных странах.

ҚАЗАҚ (Түпнұсқалық нұсқаулар)

Жалпы көріністің түсіндірмесі

- | | | | |
|-----------------------------|-----------------------------|---|-----------------|
| 1. Батарея картриджы | 5. Тексеру түймесі | 9. Прожектор + кең жолақты жарық режимі | 12. Иық белдеуі |
| 2. Қызыл индикатор | 6. Қуат түймесі | 10. Прожектор режимі | 13. Қйыстыру |
| 3. Батареяны босату түймесі | 7. РЕЖИМ түймесі | 11. Ілгек | |
| 4. Индикаторлық шамдар | 8. Кең жолақты жарық режимі | | |

ТЕХНИКАЛЫҚ СИПАТТАМАЛАРЫ

Үлгі	ML007G
ЖШД	Прожектор: 1 Нұсқа / Кең жолақты жарық; 16 Нұсқа (Стробоскоптық жарық; 17 Нұсқа)
Өлшемдері (Ұ × Е × Б)	323 мм × 120 мм × 118 мм
Номиналды кернеу	Макс. ТТ 36 В - 40 В
Таза салмағы (батарея картриджсыз және иық белдеуі)	0,95 kg

- Зерттеу және дамытудың үздіксіз бағдарламасына байланысты мұндағы техникалық сипаттамалар ескертусіз өзгертілуі мүмкін.
- Техникалық сипаттамалары елден елге ерекшеленіп отыруы мүмкін.
- Олшемы BL4025, басы алдыға қарайды.

Тиісті батарея картриджы және зарядтағыш

Батарея картриджы	BL4020 / BL4025 / BL4040 / BL4050F / BL4080F
Зарядтағыш	DC40RA / DC40RB / DC40RC

- Жоғарыда тізілген кейбір батарея картридждары сіз тұратын аймаққа байланысты қолжетімді болмауы мүмкін.

⚠ ЕСКЕРТУ: Тек жоғарыда көрсетілген батарея қорабы мен төк толтырғыштарды ғана пайдалануға болады. Кез келген басқа батарея картридждарын және зарядтағыштарды пайдалану жарақатқа және/немесе өртке әкелуі мүмкін.

Жұмыс уақыты

Батарея картриджы	Жұмыс уақыты (шамамен)			
	Прожектор	Кең жолақты жарық	Прожектор + кең жолақты жарық	Стробоскоптық жарық
BL4020	5,0 сағат	5,0 сағат	3,5 сағат	5,0 сағат
BL4025	6,5 сағат	6,5 сағат	4,5 сағат	6,5 сағат
BL4040	10 сағат	10 сағат	7,5 сағат	10 сағат
BL4050F	13 сағат	13 сағат	9,5 сағат	13 сағат
BL4080F	22 сағат	22 сағат	16 сағат	22 сағат

- Жоғарыдағы кестедегі жұмыс уақыттары жуықталған болып табылады. Олар іс жүзіндегі жұмыс уақыттарынан басқаша болуы мүмкін.
- Жұмыс уақыттары батарея түріне, зарядтау күйіне және пайдалану жағдайына байланысты өзгеріп отыруы мүмкін.
- Батарея картриджы елден елге ерекшеленіп отыруы мүмкін.

Таңбалар

Төменде жабдық үшін пайдаланылған таңбалар көрсетілген. Пайдалану алдында олардың мағынасын түсінетінізді тексеріңіз.



- Пайдалану нұсқаулығын оқып шығыңыз



- Тек іште пайдалануға арналған



- Тек ЕО елдері үшін
Жабдықта қауіпті компоненттердің болуына байланысты электр және электронды жабдықтардың қалдықтары, аккумуляторлар мен батареялар қоршаған ортаға және адам денсаулығына кері әсер етуі мүмкін.

Электрлік және электронды құрылғыларды батареяларды тұрмыстық қалдықтармен бірге тастамаңыз. Электр және электронды жабдықтардың қалдықтары мен аккумуляторлар мен қалдықтары туралы, сондай-ақ оларды ұлттық заңнамаға бейімдеу туралы Еуропалық директиваға сәйкес электр жабдықтары, батареялар мен аккумуляторлар қалдықтары бөлек сақталуы және бөлек жинау орнына жеткізілуі керек. қоршаған ортаны қорғау ережелеріне сәйкес жұмыс істейтін коммуналдық қалдықтар үшін.

Бұл жабдықта қойылған сызылған доңғалақты қоқыс жәшігінің белгісімен көрінеді.



- Оптикалық сәулелену (ультра күлгін сәулелер және инфрақызыл сәулелер). Көздерге немесе теріге әсерді барынша азайтыңыз.



- Жұмыс істеп тұрған шамға қарамаңыз.



- Тиісті қалқанды немесе көзді қорғау құралын пайдаланыңыз.



- Аса сақ болыңыз және көп көңіл бөліңіз!

ҚАУІПСІЗДІК ТУРАЛЫ ЕСКЕРТУЛЕР

ҚАУІПСІЗДІК ТУРАЛЫ МАҢЫЗДЫ НҰСҚАУЛАР

⚠ ЕСКЕРТУ: Электр құралдарды пайдаланғанда, өрт, ток соғуы және жарақат алу қаупін, соның ішінде төмендегілерді азайту үшін қауіпсіздікке қатысты негізгі сақтық шараларын қолдану керек:

БАРЛЫҚ НҰСҚАУЛАРДЫ ОҚЫП ШЫҒЫҢЫЗ.

1. Жарыққа қарамаңыз немесе көздеріңізді жарыққа ашпаңыз. Көздеріңізге зиян тиюі мүмкін.
2. Шамды матамен немесе картонмен, т.б. жаппаңыз, әйтпесе бұл жалынға әкелуі мүмкін.
3. Құрылғы су өткізеді. Оны ылғалды жерлерде пайдаланбаңыз. Оған жаңбырдың немесе қардың әсерін тигізбеңіз. Оны суда жумаңыз.
4. Құрылғының ішіне пинцетпен, металл құралдармен және т.б. тимеңіз.
5. Құрылғы пайдаланылып жатпағанда, әрқашан өшіріңіз және батарея картриджен құрылғыдан шығарыңыз.
6. Түсіріп алу, ұру, т.б. арқылы құрылғыға соққы тигізбеңіз.
7. Батареялары бар портативті шамдар үшін қауіпсіздік туралы ақпарат.
- Батареяны қоқысқа лақтыру қауіпті материалдарды қоқысқа лақтыруға қатысты жергілікті ережелерге сәйкес болуы керек.
- Батареяны жағуға болмайды.
8. Шамдарға арналған қосымша ақпарат.
- Шырақтың жарық көзін ауыстыруға болмайды, жарық көзінің құмыры аяқтаған кезде, тұтас жарықты алмастыру керек.
9. Батарея құралын пайдалану және күту.
- ЕСКЕРТУ: Қауіпсіздік туралы барлық ескертулерді және нұсқауларды оқыңыз. Ескертулер мен нұсқауларды орындамау электр тогының соғуына, өртке және/немесе ауыр жарақатқа әкелуі мүмкін.
- Кездейсоқ іске қосылуын болдырмаңыз. Батареялар жинағына қосу, құрылғыны көтеру немесе алып жүру алдында ауыстырып-қосқыш өшірулі күйде екеніне көз жеткізіңіз. Құрылғыны саусақты ауыстырып-қосқышқа қойып алып жүру немесе ауыстырып-қосқышы қосылуы құрылғының қуатын қосу сәтсіз жағдайларға әкеледі.
- Кез келген реттеулер жасау, аксессуарларды ауыстыру немесе құрылғыны сақтауға қою алдында батареялар жинағын құрылғыдан ажыратыңыз. Мұндай алдын алатын қауіпсіздік шаралары құрылғының кездейсоқ іске қосылуы қаупін азайтады.
- Тек өндіруші көрсеткен зарядтағышпен зарядтаңыз. Батареялар жинағының бір түріне жарамды зарядтағыш басқа батареялар жинағымен бірге пайдаланғанда өрт қаупін тудыруы мүмкін.

- Құрылғыларды тек арнайы белгіленген батареялар жинақтарымен бірге пайдаланыңыз. Кез келген басқа батареялар жинақтарын пайдалану жарақат алу және өрт қаупін тудыруы мүмкін.
- Батареялар жинағы пайдаланылып жатпағанда, бір клеммадан екіншісіне қосылымды жасауы мүмкін басқа металл заттардан, мысалы, қағаз қыстырғыштардан, тиындардан, кілттерден, шегелерден, бұрандалардан немесе басқа шағын металл заттардан аулақ ұстаңыз. Батареяның түйіспе тұстарын қысқа тұйықтау күйіктерге немесе өртке әкелуі мүмкін.
- Шарттарға сай емес жағдайларда батареядан сұйықтық шығуы мүмкін; оған тиіменіз. Оған кездейсоқ тисеңіз, сумен шайыңыз. Сұйықтық көздерге тисе, бұған қоса медициналық көмекке жүгініңіз. Батареядан шыққан сұйықтық тітіркенуге немесе күйіктерге әкелуі мүмкін.
- Зақымдалған немесе өзгертілген батареялар жинағын немесе құрылғыны пайдаланбаңыз. Зақымдалған немесе өзгертілген батареялар болжауға келмейтін түрде жұмыс істеп, өртке, жарылысқа немесе жарақат қаупіне әкелуі мүмкін.
- Батареялар жинағына немесе құрылғыға оттың немесе артық температураның әсерін тигізбеңіз. Оттың немесе 130 °C-тан (265 °F) жоғары температураның әсерін тигізу жарылысқа әкелуі мүмкін.
- Зарядтау туралы барлық нұсқауларды орындаңыз және батареялар жинағын немесе құрылғыны нұсқауларда көрсетілген температуралар ауқымнан тыс зарядтамаңыз. Тісті емес немесе көрсетілген ауқымнан тыс температураларда зарядтау батареяны зақымдауы және өрт қаупін арттыруы мүмкін.
- Қызмет көрсетуді білікті жөндеуші тек бірдей ауыстыру бөлшектерін пайдаланып орындауы керек. Бұл осы өнімнің қауіпсіздігінің сақталуын қамтамасыз етеді.
- Пайдалану және құту туралы нұсқауларда көрсетілген болмаса, құрылғыны немесе батареялар жинағын өзгертіңіз немесе жөндеуге әрекеттенбеңіз.

Батарея картриджына қатысты қауіпсіздік туралы маңызды нұсқаулар

- Батарея картриджын пайдалану алдында (1) батарея зарядтағышындағы, (2) батареядағы және (3) батареяны пайдаланатын өнімдегі барлық нұсқауларды және сақтық белгілерді оқып шығыңыз.
 - Батарея картриджін бөлшектеніңіз немесе бұзбаңыз. Бұл өртке, шамадан тыс қызуға немесе жарылысқа әкелуі мүмкін.
 - Жұмыс уақыты тым қысқа болып кетсе, пайдалануды бірден тоқтатыңыз. Бұл қызып кету, ықтимал күйіктер және тіпті жарылыс қаупіне әкелуі мүмкін.
 - Көздеріңізге электротіл кірсе, оларды таза сумен шайыңыз және бірден медициналық көмек алыңыз. Бұл көру қабілетінің жоғалуына әкелуі мүмкін.
- Батарея картриджын қысқа тұйықтамаңыз.
 - (1) Клеммаларға ешбір өткізгіш материалмен тиіменіз.
 - (2) Батарея картриджын шегелер, тиындар, т.б. сияқты басқа металл заттар бар контейнерде сақтамаңыз.
 - (3) Батарея картриджына судың немесе жаңбырдың әсерін тигізбеңіз. Батареяның қысқа тұйықталуы үлкен ток ағынына, қызып кетуге, ықтимал күйіктерге және тіпті бұзылуға әкелуі мүмкін.
 - Құралды және батарея картриджын температура 50 °C-қа (122 °F) жетуі немесе одан асуы мүмкін жерлерде сақтамаңыз және пайдаланбаңыз.
 - Тіпті қатты зақымдалған немесе толығымен тозған болса да, батарея картриджін теспеніз. Отта батарея картриджі жарылуы мүмкін.
 - Батарея картриджіне шеге қақпаңыз, кеспеніз, лақтырмаңыз, түсіріп алмаңыз немесе қатты затқа соқпаңыз. Мұндай әрекеттер өртке, шамадан тыс қызуға немесе жарылысқа әкелуі мүмкін.
 - Зақымдалған батареяны пайдаланбаңыз.
 - Ішіндегі литий-йонды батареяларға қауіпті тауарлар туралы заңнаманың талаптары қолданылады. Коммерциялық тасымалдаулар үшін, мысалы, үшінші тараптардың, қайта бағыттау агенттерінің, орауыштағы және жапсырмалардағы арнайы талаптарды орындау керек. Затты жөнелтуге дайындау үшін қауіпті материалдар жөніндегі маманнан кеңес алу керек. Сондай-ақ егжей-тегжейлі ұлттық ережелерді сақтаңыз. Түйіспелерді лентамен жабыңыз және батареяны орауышта қозғалмайтындай ораңыз.
 - Бөтерә қорабын бір жақтылы еткенде, оны аспаптан алып шығып, хауіпсіз жерге қойу керек.
 - Батареяны қоқысқа лақтыруға қатысты жергілікті ережелерді сақтаңыз.
 - Батареяларды тек Makita көрсеткен өнімдерде пайдаланыңыз. Батареяларды талаптарға сай емес өнімдерде орнату өртке, артық қызуға, жарылысқа немесе электролиттің ағуына әкелуі мүмкін.
 - Құрал ұзақ уақыт бойы пайдаланылмаса, батареяны құралдан шығару керек.
 - Пайдалану кезінде және одан кейін батарея картриджі қызуы мүмкін, бұл күйіктерге немесе төмен температуралық күйіктерге әкелуі мүмкін. Ыстық батарея картридждерін ұстауға назар аударыңыз.
 - Пайдаланғаннан кейін құралдың клеммасына бірден тиіменіз, себебі ол күйіктер тудыруға жеткілікті қызып кетуі мүмкін.
 - Батарея картриджының клеммаларына, тесіктеріне және ойықтарына жаңқалардың, шаңның немесе топырақтың тұрып қалуына жол бермеңіз. Бұл құралдың нашар жұмыс істеуіне ы болмаса құралдың немесе батарея картриджының бұзылуына әкелуі мүмкін.

- Құрал жоғары вольтты электр желілері жанында пайдалануды қолдамаса, батарея картридждің жоғары вольтты электр желілерінің жанында пайдаланбаңыз. Бұл құралдың дұрыс жұмыс істемеуіне я болмаса құралдың немесе батарея картридждің бұзылуына әкелуі мүмкін.
- Батареяны балалардан аулақ ұстаңыз.

ОСЫ НҰСҚАУЛАРДЫ САҚТАП ҚОЙЫҢИЗ.

▲ **САҚТЫҚ ЕСКЕРТУ:** Тек түпнұсқалық Makita батареяларын пайдаланыңыз.

Түпнұсқалық емес Makita батареяларын немесе өзгертілген болуы мүмкін батареяларды пайдалану батареяның жарылуына әкеліп, өрттерге, жарақатқа және зақымға әкелуі мүмкін. Сондай-ақ бұл Makita құралының және зарядтағышының Makita кепілдігінің күшін жояды.

Батареяның қызмет көрсету мерзімін максималды ету туралы кеңестер

1. Батарея картридждің толығымен зарядсыздану алдында ауыстырыңыз. Құралдың қуаты азырақ екенін байқағанда, әрқашан құралды пайдалануды тоқтатыңыз және батарея картридждің зарядтаңыз.
2. Толығымен зарядталған батарея картридждің ешқашан зарядтамаңыз. Артық зарядтау батареяның қызмет көрсету мерзімін қысқартады.
3. Батарея картридждің 10 °C - 40 °C (50 °F - 104 °F) белме температурасында зарядтаңыз. Зарядтау алдында ыстық батарея картридждің суытыңыз.
4. Пайдаланбаған кезде батарея картридждің құрылғыны немесе зарядтағыштан алыңыз.
5. Ұзақ уақыт бойы пайдаланбасаңыз (алты айдан көбірек), батарея картридждің зарядтаңыз.

ФУНКЦИЯЛАРДЫҢ СИПАТТАМАСЫ

▲ **САҚТЫҚ ЕСКЕРТУ:** Құралдағы функцияны реттеу немесе тексеру алдында әрқашан құрал өшірулі екені және батарея картриджді алып тасталғанын тексеріңіз.

Батарея картридждің орнату немесе алу (Fig. 1)

▲ **САҚТЫҚ ЕСКЕРТУ:** Батарея картридждің алып тастау алдында әрқашан құралды өшіріңіз.

▲ **САҚТЫҚ ЕСКЕРТУ:** Батарея картридждің орнатып немесе алып тастап жатқанда құралды және батарея картридждің қатты ұстап тұрыңыз. Құралды және батарея картридждің қатты ұстамасаңыз, олар қолдарыңыздан сырғып кетуі және құрал мен батарея картридждің зақымдауы және сізді жарақаттауы мүмкін.

Батарея картридждің алу үшін картридждің алдындағы түймені сырғыта отырып, оны құралдан сырғытып алыңыз. Батарея картридждің орнату үшін батарея картридждің тілін корпусының ойықпен туралаңыз және орнына сырғытып салыңыз. Оны «шырт» еткен дыбыспен орнында құлыпталғанша соңына дейін салыңыз. Егер суретте көрсетілгендей қызыл түсті көрсеткіш шырақты көруге болса, бұл көрсеткіш шырақтың толық бекытылмағандығын түсіндіреді.

▲ **САҚТЫҚ ЕСКЕРТУ:** Батарея картридждің әрқашан қызыл индикатор көрінбейтін болғанша орнатыңыз. Олай болмаса, ол құралдан кездейсоқ құлап кетіп, сізді немесе айналаңыздағы біреуді жарақаттауы мүмкін.

▲ **САҚТЫҚ ЕСКЕРТУ:** Батарея картридждің күшпен орнатпаңыз. Картридждің оңай сырғып кірмесе, ол дұрыс салынып жатқан жоқ.

Батареяның қалған сыйымдылығын көрсету (Fig. 2)

Қалған батарея қуатын көрсетуі үшін батарея картридждіңдағы тексеру түймесін басыңыз. Индикаторлық шамдар бірнеше секундқа жанады.

Индикаторлық шамдар			Қалған қуат
Жанып тұр	Өшірулі	Жыпылықтауда	
■	□	▣	75 % - 100 %
■ ■ ■ ■	□	▣	
■ ■ ■ □	□	▣	50 % - 75 %
■ ■ □ □	□	▣	25 % - 50 %
■ □ □ □	□	▣	0 % - 25 %
▣ □ □ □	□	▣	Батареяны зарядтаңыз.
■ □ □ □	□	▣	Батарея ақаулы болуы мүмкін.
□ □ ■ ■	□	▣	

ЕСКЕРТПЕ: Пайдалану жағдайларына және қоршаған ортаның температурасына байланысты, индикатор іс жүзіндегі қуаттан азғантай өзгешеленуі мүмкін.

ЕСКЕРТПЕ: Батареяны қорғау жүйесі жұмыс істеген кезде бірінші (шеткі сол жақтағы) шам жыпылықтайды.

Шамды жағу (Fig. 3)

▲ САҚТЫҚ ЕСКЕРТУ: Шамға немесе жарық көзіне тікелей қарамаңыз.

Шамды жағу үшін қуат түймесін басыңыз. Шамды өшіру үшін қуат түймесін қайтадан басыңыз.

ЕСКЕРТПЕ: Құрылғы соңғы параметрмен бірдей режимде қосылады.

Режимді таңдау

Шам қосулы кезде **РЕЖИМ** түймесін **прожектор, кең жолақты жарық** және **прожектор + кең жолақты жарық** параметрлері арасында ауысу үшін басыңыз.

Стробоскоптық жарықтандыруды қосу (Fig. 4)

РЕЖИМ түймесін құрылғы **стробоскоптық жарық** режиміне өткенше басып тұрыңыз. **Стробоскоптық жарық** режимін өшіру үшін жай ғана РЕЖИМ түймесін басыңыз.

Жабдықтарды /батеряа қорғау жүйесі.

Жабдықтары қызмет көрсету мерзімі ұзақ болуы үшін шығыс қуатты автоматты түрде өшіретін қорғағыш жүйемен жабдықталған.

Зарядсыздануды қорғау (Fig. 5)

Батеряа сыйымдылығы жеткілікті болмаған кезде, LED шырағы сөнеді, тек бір LED шырағы ғана қалады. Шамамен бес-он минуттан кейін жүйе қуатты автоматты түрде өшіреді.

Басқа себептерды қорғау

Қорғау жүйесі бұзылуы мүмкін болған басқа да себептерден жобаланады, әрі аспаптың өздығынен тоқтауына жол береді. Жабдық жұмысын уақытша тоқтатқан немесе тоқтатылған кезде, мынадай барлық басқыштарды қолданып себебын аластау керек.

1. Жабдықтарды жауып, онан соң қайтадан ысқа қосу керек.
2. Батеряаны зарядтау немесе зарядталған батеряаны алмастыру.
3. Електір жабдықтары мен батеряаны суыту. Егер қалпына келтіру арқылы қорғау жүйесын жақсарту мүмкін болмаса, жерғылықты қзімет өтеу орталығымен байланыс жасаңыз.

Бас бұрышы (Fig. 6)

▲ САҚТЫҚ ЕСКЕРТУ: Бас бұрышын өзгерткенде, саусақтарды бас пен құрал корпусы арасында қысып алмаңыз.

Бас бұрышын 4 кезеңмен реттеуге болады.

Ілгек (Fig. 7)

▲ САҚТЫҚ ЕСКЕРТУ: Ілгекті көтергенде, саусақтарды ілгек пен құрал корпусы арасында қысып алмаңыз.

Иық бауы (Fig. 8)

Иық бауын екі шетіндегі қыстырғыштар арқылы орнатуға болады.

▲ САҚТЫҚ ЕСКЕРТУ: Аспа аспаптардан сырт, сақинаны басқа әрқандай мақсатқа ыстетуге болмайды. Үйтпегенде бас амандығына зиян жетуы мүмкін.

ТЕХНИКАЛЫҚ ҚЫЗМЕТ КӨРСЕТУ

▲ САҚТЫҚ ЕСКЕРТУ: Тексеруге немесе техникалық қызмет көрсетуге әрекеттену алдында әрқашан құрал өшірулі екені және батеряа картриджи алып тасталғанын тексеріңіз.

ЕСКЕРТУ: Газолинді, бензинді, сұйылтқышты, алкогольді немесе сол сияқтыны ешқашан пайдаланбаңыз. Өңсіздену, пішіннің өзгеруі немесе жарықтар орын алуы мүмкін.

Өнімнің ҚАУІПСІЗДІГІН және СЕНІМДІЛІГІН сақтау үшін, жөндеуді, кез келген басқа техникалық қызмет көрсетуді немесе реттеуді Makita өкілетті немесе зауыттық сервистік орталықтары әрқашан Makita ауыстыру бөліктерін пайдаланып орындауы керек.

ҚОСЫМША АКСЕССУАРЛАР

▲ САҚТЫҚ ЕСКЕРТУ: Бұл аксессуарларды немесе тіркемелерді осы нұсқаулықта көрсетілген Makita құралыңызбен бірге пайдалану ұсынылады. Кез келген басқа аксессуарларды немесе тіркемелерді пайдалану адамдардың жарақат алу қаупін тудыруы мүмкін. Аксессуарды немесе тіркемелені тек өзінің мақсатына сай пайдаланыңыз.

Осы аксессуарларға қатысты қосымша мәліметтер алу үшін кез келген көмек керек болса, жергілікті Makita сервистік орталығынан сұраңыз.

- Makita түпнұсқалық батеряеясы және зарядтағышы.

ЕСКЕРТПЕ: Тізімдегі кейбір элементтер құрал жинағында стандартты аксессуарлар ретінде қосылуы мүмкін. Олар елден елге ерекшеленіп отыруы мүмкін.

- | | | | |
|-----------|---------|--------------|---------|
| 1. 電池盒 | 5. 檢查按鈕 | 9. 聚光 + 泛光模式 | 13. 緊固件 |
| 2. 紅色指示燈 | 6. 電源按鈕 | 10. 聚光模式 | |
| 3. 電池釋放按鈕 | 7. 模式按鈕 | 11. 掛鉤 | |
| 4. 指示燈 | 8. 泛光模式 | 12. 肩帶 | |

規格

型號	ML007G
LED	聚光：1 件 / 泛光：16 件（閃光：17 件）
尺寸（長 × 寬 × 高）	323 mm × 120 mm × 118 mm
額定電壓	D.C. 36 V - 40 V 上限
淨重（不含電池盒和肩帶）	0.95 kg

- 由於我們持續進行研發計畫，上述規格如有變更，恕不另行通知。
- 各國家 / 地區的規格可能不同。
- 尺寸包含 BL4025、燈頭朝前。

適用的電池盒與充電器

電池盒	BL4020 / BL4025 / BL4040 / BL4050F / BL4080F
充電器	DC40RA / DC40RB / DC40RC

- 您所在的區域可能無法取得上述的部分電池盒。

⚠ 警告： 請務必使用上方列出的電池盒。使用其他電池盒和充電器可能會導致受傷和 / 或火災。

運作時間

電池盒	運作時間（估計值）			
	聚光	泛光	聚光 + 泛光	閃爍
BL4020	5.0 小時	5.0 小時	3.5 小時	5.0 小時
BL4025	6.5 小時	6.5 小時	4.5 小時	6.5 小時
BL4040	10 小時	10 小時	7.5 小時	10 小時
BL4050F	13 小時	13 小時	9.5 小時	13 小時
BL4080F	22 小時	22 小時	16 小時	22 小時

- 上表所示的運作時間僅提供約略的參考。可能與實際運作時間有所差異。
- 運作時間可能會因電池類型、充電狀態及使用情況而有不同。
- 各國家 / 地區的電池盒可能不同。

符號

以下是本設備所使用的符號。在使用前請務必了解這些符號的意義。



- 閱讀使用說明書



- 僅用於室內環境



- 僅適用於歐盟國家
由於設備中存在危險部件，廢棄電氣電子設備、蓄電池及電池等可能對環境和人類健康造成不良影響。
處置時，需將電氣電子設備或電池與生活垃圾分開處理！
根據有關廢棄電氣電子設備、蓄電池和電池，以及廢棄蓄電池和電池的歐盟指令及為適用國家法律的改編版，廢棄電氣設備、電池和蓄電池應單獨存放並運送到專用城市垃圾收集點，按照環境保護相關規定處理。
專用收集點是指標有帶十字叉的輪式垃圾桶。



- 光輻射 (UV 和 IR)，盡量避免接觸眼睛或皮膚。



- 請勿凝視運作中的燈具。



- 請使用適合的防護或護眼裝備。



- 請特別小心並注意！

安全警告

重要安全指示

▲ 警告：使用電動工具時應確實遵守基本安全預防措施，以減少火災、電擊及人身傷害的危險，包括以下項目：

閱讀所有說明。

1. 請勿直視燈光，請勿讓眼睛曝露在燈光中。否則眼睛可能會受傷。
2. 請勿在燈具上覆蓋布或紙箱等，否則可能會發生火災。
3. 本設備不防水。請勿在潮濕的地點使用。請勿讓本設備曝露在雨中或雪中。請勿以水清洗本設備。
4. 請勿以鏟子、金屬工具等觸碰設備內部。
5. 不使用本設備時，務必關閉電源並從設備中取出電池盒。
6. 請勿使本設備因墜落、撞擊等而受到衝擊。
7. 帶有燈具的可攜式燈具安全資訊。
 - 處置電池時應遵守當地有關處理危險物質的法規。
 - 請勿焚燒電池。
8. 燈具的其他資訊。
 - 該燈具的光源不可更換；當光源達到其使用壽命時，應更換整個燈具。
9. 電池設備的使用和保養。
 - 警告：請閱讀所有安全警告和指示。若未遵循所有警告和指示，可能會造成觸電、火災和/或嚴重傷害。
 - 防止意外啓動。在連接電池組、拿起或搬運設備之前，請確認開關位於關閉位置。搬運設備時如果將手指放在開關上，或在開關位於開啓位置時供電給設備，都可能會導致發生意外。
 - 進行任何調整、更換配件或存放設備之前，請從設備上斷開電池組的連接。上述預防性安全措施可降低意外啓動設備的風險。
 - 請務必以製造商指定的充電器進行充電。適用於特定類型電池組的充電器如果用於其它類型電池組，可能會有發生火災的風險。
 - 請務必使用專為本設備設計的電池組。使用其他電池組可能會導致受傷和火災。
 - 電池組未使用時，請使其遠離金屬物體，例如迴紋針、硬幣、鑰匙、釘子、螺絲或其他小型金屬物體，這些物體可能會導致兩個端子連通。電池端子如果短路，可能會導致燃燒或火災。

- 在惡劣的條件下，液體可能會從電池中噴出；請避免接觸。如果意外接觸到，請用水沖洗。如果液體接觸到眼睛，請另行尋求醫療協助。從電池中噴出的液體可能會造成刺激或灼傷。
- 請勿使用已損壞或改裝的電池組或設備。已損壞或改裝的電池可能出現不可預知的結果，進而導致起火、爆炸或受傷等風險。
- 請勿使電池組或設備曝露於火焰中或使其過熱。曝露於火焰中或高於 130 °C (265 °F) 的溫度可能會引起爆炸。
- 請遵守所有充電說明，並且請勿在說明書中指定的溫度範圍之外為電池組或設備充電。不正確的充電或在規定範圍之外的溫度下充電，可能會損壞電池並增加起火的危險。
- 請由合格的維修人員進行維修，並且僅使用相同的替換零件。如此可確保產品的安全性。
- 除了使用和保養說明中所述的項目之外，請勿修改或嘗試修理本產品或電池組。

電池盒的重要安全指示

- 在使用電池盒之前，請閱讀 (1) 電池充電器、(2) 電池和 (3) 使用電池的產品上的所有說明和警告標誌。
- 請勿拆解或竄改電池盒，否則可能會導致起火、過熱或爆炸。
- 如果可運作的時間變得非常短，請立即停止操作。否則可能會導致過熱、燒傷，甚至爆炸的風險。
- 如果電解液進入眼睛，請用清水沖洗並立即就醫。這種情況可能會導致喪失視力。
- 請勿使電池盒短路。
- (1) 請勿用任何導電材料碰觸端子。
- (2) 請避免將電池盒與釘子、硬幣等其他金屬物體一起存放在容器中。
- (3) 請勿將電池盒曝露於水中或雨中。電池短路可能會導致大電流流動、過熱，並可能導致燃燒甚至損壞。
- 請勿將設備和電池盒存放在溫度可能達到或超過 50 °C (122 °F) 的位置，也請勿在上述環境中使用。
- 即使電池盒已嚴重損壞或電力完全用盡，也不要將其焚燒。電池盒可能會著火爆炸。
- 請勿對電池盒打釘、切割、擠壓、拋擲或掉落，或以堅硬物體撞擊電池盒，這類行為可能導致起火、過熱或爆炸。
- 請勿使用損壞的電池。

- 隨附的鋰離子電池符合「危險物品法規」的要求。若要進行商業運輸，例如第三方、貨運承攬商，必須注意包裝和標籤的特殊要求。準備將要運輸的物品時，必須諮詢危險物質專家，並請遵守可能更詳細的國家法規。用膠帶黏住或遮蓋曝露的接點，並包裹電池使其不會在包裝內移動。
- 處置電池盒時，請將其從設備中取出並放置在安全的地方。請遵守當地有關電池處置的規定。
- 請務必僅將電池用於 Makita 指定的產品。將電池安裝至不相容的產品上，可能會導致起火、過熱、爆炸或電解液洩漏。
- 如果長時間不使用設備，必須從設備中取出電池。
- 使用期間和使用之後，電池盒可能會發熱，這可能會導致燙傷或低溫灼傷。處理高溫的電池盒時，請特別小心。
- 請勿在使用之後立即碰觸設備的端子，因為其溫度可能會很高而導致燙傷。
- 請勿讓碎屑、灰塵或泥土卡在電池盒的端子、孔洞和凹槽中，否則可能會導致性能下降或造成設備或電池盒損壞。
- 除非設備支援在高壓電源線附近使用，否則請勿在高壓電源線附近使用電池盒，否則可能會導致工具或電池盒故障或損壞。
- 請將電池放置於兒童接觸不到的地方。

請保存以下指示。

▲ 注意：只能使用原裝 Makita 電池。使用非原廠的 Makita 電池或改造過的電池可能會導致電池爆炸，引起火災、人身傷害和損壞。這也將使 Makita 設備和充電器的 Makita 保固失效。

有關維持最長電池壽命的提示

1. 在電池完全放電之前，請為電池盒充電。發現設備電量不足時，請務必停止設備運作並為電池盒充電。
2. 請勿為已充滿電的電池盒充電。過度充電會縮短電池的使用壽命。
3. 請在 10 °C - 40 °C (50 °F - 104 °F) 的室溫中為電池盒充電。請讓高溫的電池盒冷卻後再充電。
4. 不使用電池盒時，務必將電池盒從設備或充電器中取出。
5. 如果電池盒將會長時間不使用 (超過六個月)，請將其充電。

功能說明

⚠ 注意：調整或檢查設備功能之前，請務必確認設備電源已關閉，並已取出電池盒。

安裝或取出電池盒 (Fig. 1)

⚠ 注意：在移除電池盒之前，請務必關閉本設備的電源。

⚠ 注意：安裝或取出電池盒時，請確實握住本設備和電池盒。若未確實握住設備和電池盒，可能會從手中滑落，損壞設備和電池盒並造成人身傷害。

若要取出電池盒，請滑動電池盒正面的按鈕，同時將電池盒從設備上滑出。若要安裝電池盒，請將電池盒上的棒片對準外殼上的凹槽，然後將其滑入到位。將它完全插入，直到鎖定位並發出咔嚓聲。如果您看到如圖所示的紅色指示燈，則說明未完全鎖定位。

⚠ 注意：請務必將電池盒完全裝入，直到看不見紅色指示燈為止。否則，它可能會意外掉出設備，對您或周圍的人造成傷害。

⚠ 注意：請勿強行安裝電池盒。如果無法輕易滑入電池盒，表示電池盒未正確插入。

指示剩餘電池容量 (Fig. 2)

按下電池盒上的檢查按鈕以顯示剩餘的電池容量。指示燈將亮起幾秒鐘。

指示燈			剩餘容量
亮起	熄滅	閃爍	
■	□	◻	
■ ■ ■ ■			75 % 至 100 %
■ ■ ■ □			50 % 至 75 %
■ ■ □ □			25 % 至 50 %
■ □ □ □			0 % 至 25 %
◻ □ □ □			為電池充電。
■ ■ □ □	↑ ↓		電池可能已經故障。
□ □ ■ ■			

注：根據使用條件和環境溫度，指示值可能與實際容量存在少許差異。

注：當電池保護系統運作時，第一個（最左邊）指示燈將會閃爍。

開啓燈光 (Fig. 3)

⚠ 注意：請勿直視燈光或直視燈源。

按下電源按鈕以開啓燈光。若要關閉燈光，請再次按下電源按鈕。

注：本設備會以上次設定的模式開啓。

選擇模式

在燈光亮起時，按下模式 (MODE) 按鈕，可循環切換為聚光、泛光及聚光 + 泛光設定。

開啓閃爍燈光 (Fig. 4)

按住模式 (MODE) 按鈕，直到設備轉為閃爍模式。若要關閉閃爍模式，只要按下模式 (MODE) 按鈕即可。

設備 / 電池保護系統

本設備具備保護系統，會自動關閉輸出電力以達到更長的使用壽命。

過放保護 (Fig. 5)

當電池電量低時，除一個 LED 燈外，其他 LED 燈均熄滅。然後大約五到十分鐘之後，系統會自動切斷電源。

針對其他原因的保護設計

保護系統的設計還應考慮可能損壞設備的其他原因，且應允許設備自動停止。當設備暫停或停止運行時，遵循以下步驟操作清除原因。

1. 關閉設備電源，然後再次打開對設備進行重啓。
2. 為電池充電或將其更換為充滿電的電池。
3. 使設備和電池冷卻。

如果通過恢復保護系統後無任何改善，請聯繫您當地的牧田服務中心。

燈頭角度 (Fig. 6)

⚠ 注意：變更燈頭角度時，請小心勿使手指被夾在燈頭與機體之間。

燈頭角度共有 4 段可供調整。

掛鉤 (Fig. 7)

⚠ 注意：拉起掛鉤時，請小心勿使手指被夾在掛鉤與機體之間。

肩帶 (Fig. 8)

利用扣環即可將肩帶安裝於機體兩端。

⚠ 注意：切勿將吊環用於懸掛設備以外的任何其他用途。否則可能會造成人身傷害。

維護

⚠ 注意：嘗試進行檢查或維護之前，請務必確認設備電源已關閉，並已取出電池盒。

須知：請勿使用汽油、稀釋劑、酒精等。否則可能會導致變色、變形或破裂。

為維持本產品的安全與可靠性，維護或調整以外的任何維修作業，皆必須由經過 Makita 授權者或工廠服務中心執行，並且應一律使用 Makita 替換零件。

選購配件

⚠ 注意：建議將這些配件或附件搭配本手冊中指定的 Makita 設備一起使用。使用其他配件或附件可能會導致人員受傷。請務必將配件或附件用於其指定用途。

如需協助以取得有關這些配件的詳細資訊，請諮詢當地的 Makita 服務中心。

- Makita 原廠電池和充電器。

注：此列表中的某些項目可能為設備包裝中的標準配件。各國家 / 地區的配件可能不同。

台灣RoHS限用物質含有量標示
請掃描右方QR Code或參考下列網址：
<https://makita.com.tw/rohs/>



生產製造商名稱：Makita Corporation
進口商名稱：台灣牧田股份有限公司

電話：02-8601-9898 傳真機：02-8601-2266

地址：新北市 24459 林口區文化三路二段 798 號

الخطاف (Fig. 7)

⚠ تنبيه: عند رفع الخطاف، توخ الحذر كي لا تعلق أصابعك بين الخطاف وجسم الأداة.

رباط الكتف (Fig. 8)

يمكن تثبيت رباط الكتف باستخدام مشابك عند طرفي الرباط.

⚠ تنبيه: لا تستخدم حلقة التعليق لأي أغراض أخرى عدا تعليق الجهاز. خلاف ذلك فإن حدوث إصابة شخصية قد تكون ممكنة.

الصيانة

⚠ تنبيه: تأكد دوماً من إيقاف تشغيل الأداة وإزالة خرطوشة البطارية قبل محاولة فحص أو صيانة الأداة.

ملحوظة: لا تستخدم الغازولين أو البنزين أو مخفف الطلاء أو الكحول أو ما شابه ذلك. فقد يحدث تغير في اللون أو تشوه أو تصدع.

للحفاظ على سلامة المنتج وموثوقيته، يجب أن تجرى الإصلاحات وأي حالات صيانة أو ضبط أخرى على يد وكيل Makita المعتمد أو مراكز خدمة المصنع، استخدم دوماً قطع غيار من إنتاج Makita.

الملحقات الاختيارية

⚠ تنبيه: هذه الملحقات أو المرفقات موصى باستخدامها مع أداة Makita المحددة في هذا الدليل. وقد يتسبب استخدام أي ملحقات أو مرفقات أخرى في خطر إصابة الأشخاص. لا تستخدم الملحقات أو المرفقات إلا للغرض المذكور له.

إذا احتجت إلى أي مساعدة للحصول على تفاصيل أكثر تتعلق بهذه الملحقات، يرجى طلب ذلك من مركز خدمة Makita.

- بطارية وشاحن Makita الأصليين.

ملاحظة: بعض العناصر الواردة في القائمة قد تكون مدرجة في عبوة الأداة كملحقات قياسية. وقد تختلف من بلد لآخر.

تشغيل إضاءة المصباح (Fig. 3)

⚠ **تنبيه:** لا تنظر إلى المصباح مباشرة أو تحاول رؤية مصدر الضوء.

اضغط على زر الطاقة لتشغيل إضاءة المصباح. لإيقاف تشغيل المصباح، اضغط على زر الطاقة مرة أخرى. ملاحظة: يضيء الجهاز على الوضع ذاته بحسب آخر ضبط للإعدادات.

تحديد الوضع

أثناء تشغيل المصباح، اضغط على زر الوضع (MODE) لتنتقل ما بين إعدادات ضوء متجمع وضوء متفرق وضوء متجمع + ضوء متفرق.

قم بتشغيل وضع إضاءة (strobe) (Fig. 4)

اضغط مع الاستمرار على زر الوضع (MODE) حتى يتغير الوضع إلى strobe. لإيقاف تشغيل الوضع strobe، اضغط على زر الوضع (MODE).

نظام حماية الجهاز / البطارية

الجهاز مزود بنظام حماية يفصل خرج القدرة تلقائياً لإطالة عمر الخدمة.

الحماية من التفريغ الزائد (Fig. 5)

عند انخفاض سعة البطارية، تنطفئ جميع مصابيح LED باستثناء مصباح LED واحد. وبعد خمس إلى عشر دقائق، يفصل النظام الطاقة تلقائياً.

الحماية من المسببات الأخرى

هذا النظام مصمم أيضاً للحماية من المسببات الأخرى التي قد تؤدي إلى إلحاق الضرر بالجهاز، حيث أنه يسمح للجهاز بالتوقف تلقائياً. يرجى اتخاذ الخطوات الآتية للتخلص من المسببات، وذلك عندما يتوقف الجهاز مؤقتاً أو نهائياً عن العمل.

1. قم بإيقاف تشغيل الجهاز، ثم قم بتشغيله مجدداً لإعادة التشغيل.
2. قم بشحن البطارية (البطاريات) أو قم باستبدالها ببطارية (بطاريات) مشحونة مسبقاً.
3. اترك الجهاز والبطارية (البطاريات) حتى يبردان إذا لم يكن هناك أي تحسن من خلال استعادة نظام الحماية، فقم بالتواصل بأقرب مركز لك من مراكز خدمات ماكيتا.

زاوية رأس الأداة (Fig. 6)

⚠ **تنبيه:** عند تغيير زاوية الرأس، توخ الحذر كي لا تعلق أصابعك بين الرأس وجسم الأداة.

يمكن تعديل زاوية الرأس في 4 خطوات.

الوصف الوظيفي

⚠ **تنبيه:** تأكد دوماً من إيقاف تشغيل الأداة وإزالة خرطوشة البطارية قبل تعديل أي وظيفة في الأداة أو التحقق منها.

تركيب أو إزالة خرطوشة البطارية (Fig. 1)

⚠ **تنبيه:** أوقف تشغيل الأداة دوماً قبل إزالة خرطوشة البطارية. ⚠ **تنبيه:** أمسك الأداة وخرطوشة البطارية بإحكام عند تركيب أو إزالة خرطوشة البطارية. قد يؤدي عدم إمساك الأداة وخرطوشة البطارية بإحكام إلى انفلات يدك وإلحاق الضرر بالأداة وخرطوشة البطارية والتعرض للإصابة.

لإزالة خرطوشة البطارية، أخرجها من الأداة أثناء تحريك الزر الموجود في مقدمة الخرطوشة. لتركيب خرطوشة البطارية، قم بمحاذاة اللسان الموجود على خرطوشة البطارية مع التجويف الموجود في المنيبت وادفعه برفق حتى يستقر في مكانه. أدخل البطارية تماماً إلى أن يثبت في مكانه بنقرة صغيرة. إذا أمكنك مشاهدة المؤشر الأحمر كما هو موضح في الشكل، فلم يتم قفلها تماماً.

⚠ **تنبيه:** قم دائماً بتركيب خرطوشة البطارية تماماً إلى أن تتعذر مشاهدة المؤشر الأحمر. إذا لم يتم ذلك، فقد تسقط الخرطوشة من الأداة بطريق الخطأ وتتسبب في إصابة شخص موجود بالقرب منك. ⚠ **تنبيه:** لا تقم بتركيب خرطوشة البطارية بالقوة. إذا لم تدخل البطارية بسهولة، فإنك لم تدخلها بالطريقة الصحيحة.

الإشارة إلى طاقة البطارية المتبقية (Fig. 2)

اضغط على زر التحقق الموجود في خرطوشة البطارية للإشارة إلى طاقة البطارية المتبقية. تضيء مصابيح المؤشر ليعرض ثوان.

الطاقة المتبقية	مصباح المؤشر		
	بومض	مطفأ	مضيء
75 % إلى 100 %	■	■	■
50 % إلى 75 %	■	■	■
25 % إلى 50 %	■	■	■
0 % إلى 25 %	■	■	■
اشحن البطارية.	■	■	■
قد تكون البطارية معطلة.	■	■	■

ملاحظة: بناءً على ظروف الاستخدام ودرجة الحرارة المحيطة، قد تختلف الإشارة قليلاً عن السعة الفعلية. **ملاحظة:** سيومض مصباح المؤشر الأول (في أقصى الجانب الأيسر) عندما يعمل نظام حماية البطارية.

- في ظل ظروف سوء الاستخدام، قد يخرج سائل من البطارية؛ تجنب ملامسته. وفي حال ملامسته دون قصد، فاغسله بالماء. وإذا لامس السائل العينين، يجب طلب المساعدة الطبية أيضاً. السائل الخارج من البطارية قد يسبب التهيج أو الحروق.
- لا تستخدم مجموعة البطارية أو الأجهزة التالفة أو المعدلة. البطاريات التالفة قد تبدي سلوكاً غير متوقع مما يؤدي إلى حريق أو انفجار أو خطر الإصابة.
- لا تعرض مجموعة البطارية أو الجهاز للنار أو درجة الحرارة المفرطة. فقد يؤدي التعرض للنار أو درجة الحرارة الزائدة عن 130 درجة مئوية (265 فهرنهايت) إلى حدوث انفجار.
- اتبع كل تعليمات الشحن ولا تشحن مجموعة البطارية أو الجهاز خارج نطاق درجة الحرارة المحدد في التعليمات. قد يتسبب الشحن بشكل غير صحيح أو في درجات حرارة خارج النطاق المحدد في تلف البطارية وزيادة خطر الحريق.
- اطلب تنفيذ الخدمة بواسطة الفني الإصلاحي المؤهل وباستخدام قطع غيار بديلة مطابقة فقط. مريضن ذلك الحفاظ على سلامة المنتج.
- لا تقم بتعديل أو محاولة إصلاح الجهاز أو مجموعة البطارية إلا على النحو المشار إليه في تعليمات الاستخدام والعناية.

تعليمات مهمة خاصة بالسلامة بالنسبة لمجموعة البطارية

- قبل استخدام خرطوشة البطارية، اقرأ كل التعليمات والعلامات التحذيرية الموجودة على (1) شاحن البطارية و(2) البطارية و(3) المنتج الذي يستخدم البطارية.
- لا تفك خرطوشة البطارية أو تعبت بها. قد يؤدي ذلك إلى نشوب حريق أو توليد حرارة زائدة أو حدوث انفجار.
- إذا أصبح وقت التشغيل أقصر بشكل كبير، فأوقف التشغيل على الفور. قد يؤدي ذلك إلى خطر ارتفاع درجة الحرارة والحروق المحتملة والانفجار.
- إذا دخل الإلكتروليت في عينيك، فاغسلها بماء نقي واطلب الرعاية الطبية على الفور. وإلا، فقد يتسبب ذلك في فقد بصرك.
- لا تحدث قصراً في خرطوشة البطارية.
- (1) لا تلمس الأطراف بأي مادة موصلة.
- (2) تجنب تخزين البطارية في حاوية مع أجسام معدنية أخرى مثل المسامير والعملات وما إلى ذلك.
- (3) لا تعرض خرطوشة البطارية للماء أو المطر. قد يتسبب قصر البطارية في تدفق مقدار كبير من التيار وارتفاع درجة الحرارة واحتمال الإصابة بالحروق والتعطل.
- لا تخزن أو تستخدم الأداة وخرطوشة البطارية في الأماكن التي يمكن أن تصل فيها درجات الحرارة إلى 50 درجة مئوية (122 فهرنهايت) أو تتجاوزها.
- لا تحرق مجموعة البطارية حتى إذا كانت تالفة بدرجة بالغة أو بالية تماماً. قد تنفجر خرطوشة البطارية في النار.
- لا تطرق على خرطوشة البطارية أو تقطعها أو تحطمها أو تقذفها أو سقظها أو تصدمها بشيء صلب. قد يؤدي مثل هذا الإجراء إلى نشوب حريق أو توليد حرارة زائدة أو حدوث انفجار.
- لا تستخدم بطارية تالفة.

- تخضع بطاريات الليثيوم أيون المضمنة لمتطلبات قوانين البضائع الخطرة. بالنسبة لعمليات النقل التجارية عبر جهات خارجية أو وكلاء الشحن على سبيل المثال، يجب الالتزام بالمتطلبات الخاصة على مواد التعيين والملصقات. لإعداد السعة الجارية شحنها، يلزم الرجوع إلى خبير في المواد الخطرة. يُرجى أيضاً مراعاة اللوائح الوطنية التي قد تكون أكثر تفصيلاً. قم بربط أو تغطية الملابس المشوطة وتعبئة البطارية بطريقة تمنع حركتها داخل مواد التعبئة.
- عند التخلص من خرطوشة البطارية، قم بإزالة البطارية من الجهاز وتخلص منها في مكان آمن.
- اتبع اللوائح المحلية الخاصة بك ذات الصلة بالتخلص من البطارية.
- لا تستخدم البطاريات إلا مع المنتجات المحددة من Makita. قد يتسبب تركيب البطاريات في منتجات غير متوافقة في حريق أو حرارة مفرطة أو انفجار أو تسرب الإلكتروليت.
- في حال عدم استخدام الأداة لفترة زمنية طويلة، يجب إزالة البطارية من الأداة.
- يمكن أن تسخن خرطوشة البطارية أثناء وبعد الانتهاء من استخدامها وتتسبب في حدوث حروق أو حروق درجات الحرارة المنخفضة. يجب الانتباه أثناء محاولة خراطيش البطاريات الساخنة.
- لا تلمس طرف الأداة مباشرة بعد الاستخدام حيث إنها قد تكون ساخنة وتسبب حروفاً.
- لا تسمح بتراكم الشظايا أو الغبار أو المولوثات على أطراف فتحات وحزوز خرطوشة البطارية. يمكن أن يؤدي ذلك إلى انخفاض الأداء أو تعطل الأداة أو خرطوشة البطارية.
- ما لم تكن الأداة تدعم الاستخدام بالقرب من خطوط الكهرباء عالية الجهد، فلا تستخدم خرطوشة البطارية بجانب خطوط الكهرباء عالية الجهد. يمكن أن يؤدي ذلك إلى حدوث خلل أو تعطل الأداة أو خرطوشة البطارية.
- احفظ البطارية بعيداً عن الأطفال.

احتفظ بهذه التعليمات.

⚠ تنبيه: استخدم بطاريات ماكييتا Makita الأصلية فقط. قد يتسبب استخدام بطاريات Makita غير أصلية، أو بطاريات تم تعديلها، في انفجار البطارية مما يسبب الحرائق والإصابات الشخصية والتلفيات. كما سيظل ضمان Makita الخاص بأدوات وشواحن Makita.

نصائح للحفاظ على أقصى عمر افتراضي للبطارية

1. اشحن خرطوشة البطارية قبل أن يفرغ شحنها تماماً. أوقف دوماً تشغيل الأداة واشحن خرطوشة البطارية عندما تلاحظ طاقة أقل للأداة.
2. لا تكرر شحن خرطوشة بطارية مشحونة تماماً.
3. الإفراط في الشحن يقلل العمر الافتراضي لخدمة البطارية. اشحن خرطوشة البطارية في درجة حرارة غرفة تتراوح من 10 درجات مئوية إلى 40 درجة مئوية (50 - 104 درجة فهرنهايت). اترك خرطوشة البطارية الساخنة تبرد قبل شحنها.
4. عند عدم استخدام الجهاز، أزل خرطوشة البطارية من الجهاز أو الشاحن.
5. اشحن خرطوشة البطارية في حال عدم استخدامها لفترة طويلة (أكثر من ستة أشهر).

تحذيرات السلامة

تعليمات السلامة المهمة

⚠ تحذير: عند استخدام الأدوات الكهربائية، يجب دوماً اتباع احتياطات السلامة الأساسية للحد من مخاطر نشوب حريق وحدوث صدمة كهربائية والتعرض لإصابات شخصية، ويشمل ذلك ما يلي:

اقرأ كل التعليمات:

1. لا تنظر في المصباح، ولا تعرّض الضوء للعينين. فقد تسبب ضرراً لعينيك.
 2. لا تغط المصباح بقطعة قماش أو كرتون وما إلى ذلك، وإلا فقد يتسبب ذلك في الاشتعال.
 3. الجهاز ليس مقاوماً للماء. لا تستخدم الجهاز في الأماكن الرطبة أو المبللة. لا تعرض الجهاز للأمطار أو الثلوج. لا تنظف الجهاز بالماء.
 4. لا تلمس الجهاز من الداخل باستخدام الملاقيط أو الأدوات المعدنية، إلخ.
 5. عند عدم استخدام الجهاز، قم دائماً بإيقاف تشغيله وإزالة خرطوشة البطارية من الجهاز.
 6. لا تعرض الجهاز للصدمات بإسقاطه أو صدمه بشيء، إلخ.
 7. معلومات السلامة الخاصة بوحدة الإضاءة المحمولة التي يتم تشغيلها باستخدام البطاريات.
- يجب أن يتم التخلص من البطارية وفقاً للوائح المحلية لديك المتعلقة بالتخلص من المواد الخطرة.
 - لا تحرق البطارية.
 - 8. معلومات إضافية خاصة بوحدة الإضاءة.
 - إن مصدر ضوء هذا المصباح غير قابل للاستبدال؛ عندما يصل إلى نهاية عمره الافتراضي، فإنه يجب استبدال المصباح بالكامل.
 - 9. استخدام أداة البطارية والعناية بها.
 - تحذير: اقرأ جميع تحذيرات وتعليمات السلامة. قد يؤدي عدم اتباع التعليمات والتحذيرات إلى صدمة كهربائية وحرق وإصابة بالغة أو وقوع أي من هذه الحوادث.
 - امنع بدء التشغيل غير المقصود. تأكد من وجود المفتاح في موضع إيقاف التشغيل قبل التوصيل بمجموعة البطارية أو نقل أو حمل الجهاز. حمل الجهاز وأصبعك فوق المفتاح أو تزويد الجهاز بالطاقة والمفتاح في موضع التشغيل يتسبب في وقوع الحوادث.
 - أفضل مجموعة البطارية عن الجهاز قبل إجراء أي تعديلات أو تغيير الملحقات أو تخزين الجهاز. نقل إجراءات السلامة الوقائية هذه من خطر بدء تشغيل الجهاز بشكل عرضي.
 - لا تقم بإعادة الشحن إلا باستخدام الشاحن المحدد من جهة التصنيع. قد يؤدي الشاحن المناسب لنوع واحد من مجموعات البطاريات إلى خطر الحريق عند استخدامه مع مجموعة بطارية أخرى.
 - لا تستخدم الأجهزة إلا مع مجموعات البطاريات المخصصة لها تحديداً. قد يتسبب استخدام أي مجموعات بطاريات أخرى في خطر الإصابة والحرق.
 - عند عدم استخدام مجموعة البطارية، أبعدها عن الأجسام المعدنية الأخرى، مثل مشابك الورق أو العملات أو المفاتيح أو المسامير أو البراغي أو غيرها من الأجسام المعدنية، لأن ذلك قد يؤدي إلى التوصيل من طرف لآخر. إحداث قصر في طرفي البطارية معاً قد يتسبب في حدوث حروق أو إشعال حريق.

• اقرأ دليل التعليمات



• للاستخدام الداخلي فقط



• لبلدان الاتحاد الأوروبي فقط
نظراً لوجود مكونات ضارة في الجهاز، فإن نفايات الأجهزة الكهربائية والإلكترونية، والمجمعات الكهربائية والبطاريات قد يكون لها أثر سلبي على البيئة وصحة الإنسان. لا تقم بالتخلص من نفايات الأجهزة الكهربائية والإلكترونية أو البطاريات مع النفايات المنزلية!



وفقاً للإرشادات الأوروبية فيما يتعلق بنفايات الأجهزة الكهربائية والإلكترونية وفيما يتعلق بالمجمعات الكهربائية والبطاريات ونفايات المجمعات الكهربائية والبطاريات، وبالإضافة إلى تكييفها مع القانون الوطني، فإنه يجب تخزين نفايات الأجهزة الكهربائية، والبطاريات والمجمعات الكهربائية بشكل منفصل ونقلها إلى نقطة تجمع نفايات بلدية منفصلة، والتي تعمل وفق لوائح حماية البيئة. وهذا مشار إليه من خلال رمز سلة المهملات المشطوب عليها والمتواجد على الجهاز.

• الإشعاع البصري (الأشعة فوق البنفسجية وتحت الحمراء)
قلل التعرض للعينين والبشرة.



• لا تحقق في مصباح التشغيل.



• استخدم الحماية المناسبة أو واقياً للعينين.



• ينبغي إيلاء العناية الواجبة وتوفير الاهتمام المطلوب!



توضيح للصورة العامة

- | | | | |
|----------------------|------------------|------------------------|----------|
| 1. خرطوشة البطارية | 5. زر التحقق | 9. ضوء متجمع + وضع ضوء | 13. مشبك |
| 2. المؤشر الأحمر | 6. زر الطاقة | متفرق | |
| 3. زر تحرير البطارية | 7. زر الوضع | 10. وضع ضوء متجمع | |
| 4. مصابيح المؤشر | 8. وضع ضوء متفرق | 11. خطاف | |
| | | 12. حمالة الكتف | |

المواصفات

ML007G	الطراز
ضوء متجمع: 1 عدسة / ضوء متفرق: 16 عدسة (ضوء وميض: 17 عدسة)	مصباح LED
118 mm × 120 mm × 323 mm	الأبعاد (طول × عرض × ارتفاع)
تيار مستمر من 36 إلى 40 فولت كحد أقصى	الجهد الكهربائي المقدر
0.95 kg	الوزن الصافي للجهاز (بدون خرطوشة البطارية وحزام التعليق)

- بسبب برنامج البحث والتطوير المستمر الخاص بنا، تخضع المواصفات الواردة هنا للتغيير دون إخطار.
- قد تختلف المواصفات من بلد لآخر.
- تم قياس هذه الأبعاد مع خرطوشة BL4025 والرأس موجه للأمام.

خرطوشة البطارية والشاحن المستخدمان

خرطوشة البطارية	BL4080F / BL4050F / BL4040 / BL4025 / BL4020
الشاحن	DC40RC / DC40RB / DC40RA

- قد لا تتوفر بعض خراطيش البطاريات المذكورة أعلاه تبعا لمنطقة إقامتك.

⚠ تحذير: استخدم خراطيش البطاريات والشواحن المذكورة أعلاه فقط. قد يتسبب استخدام أي خراطيش بطاريات وشواحن أخرى في حدوث إصابة و/أو حريق.

وقت التشغيل

وقت التشغيل (تقريباً)				خرطوشة البطارية
Strobe	ضوء متجمع + ضوء متفرق	ضوء متفرق	ضوء متجمع	
5.0 ساعة	3.5 ساعة	5.0 ساعة	5.0 ساعة	BL4020
6.5 ساعة	4.5 ساعة	6.5 ساعة	6.5 ساعة	BL4025
10 ساعة	7.5 ساعة	10 ساعة	10 ساعة	BL4040
13 ساعة	9.5 ساعة	13 ساعة	13 ساعة	F0504LB
22 ساعة	16 ساعة	22 ساعة	22 ساعة	F0804LB

- تعد أوقات التشغيل المبينة في الجدول أعلاه مجرد توجيهات مبدئية. وقد تختلف عن أوقات التشغيل الفعلية.
- قد تختلف أوقات التشغيل تبعا لنوع البطارية وحالة الشحن وظروف الاستخدام.
- يمكن أن تختلف خرطوشة البطارية من بلد إلى آخر.

قلاب (Fig. 7)

⚠ احتیاط: هنگام بالا آوردن قلاب، مراقب باشید انگشتانتان لای قلاب و بدنه ابزار گیر نکند.

بند دوشی (Fig. 8)

بند دوشی را می‌توان با گیره در دو طرف ابزار نصب کرد.

⚠ احتیاط: از حلقه برای هدف دیگری غیر از آویزان کردن دستگاه استفاده نکنید. در غیر این صورت ممکن است آسیب شخصی رخ دهد.

نگهداری

⚠ احتیاط: همیشه قبل از تلاش برای انجام بازرینی و نگهداری، حتماً ابزار را خاموش کنید، و کارتریج باتری را در بیاورید.

⚠ خطر: هرگز از بنزین، تینر، الکل یا مواد مشابه استفاده نکنید. استفاده از این مواد ممکن است موجب تغییر رنگ، تغییر شکل یا ترک خوردگی شود.

برای حفظ «ایمنی» و «قابلیت اطمینان» محصول، تعمیرات، هرگونه تعمیر و نگهداری یا تنظیم دیگر باید توسط مراکز خدماتی مجاز یا کارخانه Makita انجام شود، که همیشه از قطعات یدکی Makita استفاده می‌کنند.

لوازم جانبی اختیاری

⚠ احتیاط: این لوازم جانبی یا ملحقات برای استفاده با ابزار Makita شما که در این دفترچه راهنما مشخص شده است توصیه می‌شود. استفاده از لوازم جانبی یا ملحقات دیگر ممکن است خطر آسیب‌پذیری افراد را به همراه داشته باشد. از لوازم جانبی یا ملحقات فقط برای اهداف تعیین‌شده استفاده کنید.

اگر در خصوص این لوازم جانبی به کمک یا اطلاعات بیشتری نیاز داشتید، از «مرکز خدمات محلی Makita» خود سؤال کنید.

- باتری و شارژر اصلی Makita.

توجه: برخی از موارد موجود در فهرست ممکن است به عنوان لوازم جانبی استاندارد در بسته ابزار قرار داشته باشد. این موارد ممکن است در کشور های مختلف متفاوت باشد.

توضیحات کاربردی

احتیاط: همیشه قبل از تنظیم یا بررسی عملکرد ابزار، حتماً ابزار را خاموش کنید، و کارتریج باتری را در بیابورید.

نصب یا خارج کردن کارتریج باتری (Fig. 1)

احتیاط: همیشه قبل از خارج کردن کارتریج باتری ابزار را خاموش کنید.

احتیاط: هنگام نصب یا خارج کردن کارتریج باتری، ابزار و کارتریج باتری را محکم نگه دارید. محکم نگه نداشتن ابزار و کارتریج باتری ممکن است باعث شود که آنها از دستتان لیز بخورند و به آسیب دیدن ابزار و کارتریج باتری و آسیب دیدگی شخصی منجر شوند.

برای خارج کردن کارتریج باتری، ضمن کشیدن دکمه موجود در جلوی کارتریج، آن را از ابزار بیرون بکشید. برای نصب کارتریج باتری، زبانه موجود روی کارتریج باتری را با شیار داخل محفظه تراز کنید و بلغزانید تا در جای خود قرار بگیرد. آن را تا آخر فشار دهید تا اینکه با صدای خفیف تق در محل خود قفل شود. اگر نشانگر قرمز رنگ را همانطور که در شکل نشان داده شده می بینید، کاملاً قفل نشده است.

احتیاط: همیشه کارتریج باتری را به طور کامل جا بیندازید بطوریکه نشانگر قرمز مشاهده نشود. در غیر این صورت، ممکن است به طور تصادفی از ابزار بیفتد، و باعث آسیب رسیدن به شما یا افراد حاضر در اطرافتان شود.

احتیاط: کارتریج باتری را با زور و فشار زیاد نصب نکنید. اگر کارتریج به راحتی در جای خود نلغزد، به این معنی است که به درستی جاگذاری نشده است.

نشانگر ظرفیت باقیمانده باتری (Fig. 2)

دکمه بررسی روی کارتریج باتری را فشار دهید تا ظرفیت باقیمانده باتری نشان داده شود. چراغ‌های نشانگر برای چند ثانیه روشن می‌شوند.

ظرفیت باقیمانده	چراغ‌های نشانگر		
	روشن	خاموش	در حال چشمک زدن
75 % تا 100 %	■ ■ ■ ■ ■	□	□
50 % تا 75 %	■ ■ ■ ■	■	□
25 % تا 50 %	■ ■ ■	■ ■	□
0 % تا 25 %	■ ■	■ ■ ■	□
باطری را شارژ کنید.	□ □ □ □ □	□	□
باتری ممکن است خراب شده باشد.	□ □ □ □ □	■ ■ ■ ■ ■	□

توجه: بسته به شرایط استفاده و دمای محیط، این نشانه ممکن است کمی با ظرفیت واقعی متفاوت باشد.

توجه: چراغ نشانگر اول (سمت چپ) موقع کار کردن سیستم محافظت از باتری، چشمک می‌زند.

روشن کردن چراغ (Fig. 3)

احتیاط: به چراغ خیره نشوید و مستقیماً به منبع نور نگاه نکنید.

دکمه روشن/خاموش را فشار دهید تا چراغ روشن شود. برای خاموش کردن چراغ، دوباره دکمه روشن/خاموش را فشار دهید. توجه: دستگاه در همان حالت که آخرین بار تنظیم شده بود روشن می‌شود.

انتخاب حالت

هنگام روشن بودن چراغ، دکمه حالت را فشار دهید تا بین تنظیمات نقطه‌ای متمرکز، پخش نور، و نقطه‌ای متمرکز + پخش نور جابجا شوید.

روشن کردن چراغ چشمکزن (Fig. 4)

دکمه حالت را فشار دهید و نگهدارید تا دستگاه به حالت چشمکزن تغییر وضعیت دهد. برای خاموش کردن حالت چشمکزن، کافی است دکمه حالت را فشار دهید.

سیستم محافظت از دستگاه/باتری

این ابزار مجهز به سیستم محافظتی است، که به‌طور خودکار توان خروجی را به‌منظور طولانی شدن عمر مفید دستگاه قطع می‌کند.

حفاظت از تخلیه بیش از حد (Fig. 5)

وقتی ظرفیت باتری کم می‌شود، چراغ‌های LED به جز یک LED خاموش می‌شوند. سپس تقریباً پس از پنج تا ده دقیقه، سیستم به‌طور خودکار برق را قطع می‌کند.

محافظت در برابر علق دیگر

سیستم حفاظتی همچنین برای دلایل دیگری که می‌تواند به دستگاه آسیب برساند، طراحی شده است و به دستگاه اجازه می‌دهد تا به‌طور خودکار متوقف شود. تمام مراحل زیر را برای رفع علل توقف موقت یا توقف کارکرد دستگاه انجام دهید.

- دستگاه را خاموش کنید و سپس دوباره روشن کنید تا راه اندازی مجدد شود.
- باتری (ها) را شارژ کنید یا آن را با باتری (ها) شارژ شده جایگزین کنید.
- اجازه دهید دستگاه و باتری (ها) خنک شوند. اگر هیچ بهبودی با بازگرداندن سیستم حفاظتی یافت نشد، با مرکز خدمات مایکتا محلی خود تماس بگیرید.

زاویه سر نورافکن (Fig. 6)

احتیاط: هنگام تغییر زاویه سر نورافکن، مراقب باشید انگشتانتان لای سر و بدنه ابزار گیر نکنند.

زاویه سر نورافکن را می‌توان در 4 مرحله تنظیم نمود.

- استفاده از باتری‌های لیتیوم یون عرضه شده در محصول تابع الزامات «قانون کالاهای خطرناک» است. برای حمل و نقل تجاری مثلاً توسط اشخاص ثالث، و نمایندگی‌های حمل و نقل، الزامات ویژه بسته‌بندی و برچسب‌گذاری باید رعایت شود. برای آماده‌سازی کالایی که حمل می‌شود، مشورت کردن با متخصص مواد خطرناک الزامی است. لطفاً تا حد امکان مقررات ملی دقیق‌تر را نیز رعایت کنید. اتصالات رو باز را نوار چسب ببنید یا بپوشانید و باتری را به گونه‌ای به هم ببندید که در ستنه‌بندی تکان نخورد.
- هنگام دور انداختن کارتريج باتری، آن را از دستگاه خارج کرده و در مکانی امن بیندازید.
- مقررات محلی خود را در ارتباط با دفع باتری دنبال کنید.
- باتری‌ها را فقط با محصولاتی که توسط Makita مشخص شده است به کار ببرید. نصب باتری‌ها روی محصولات غیر سازگار ممکن است به آتش‌سوزی، گرمای بیش از حد، انفجار یا نشت الکترولیت منجر شود.
- اگر قرار است از این ابزار برای مدت طولانی استفاده نشود، باید باتری از ابزار خارج شود.
- در حین استفاده و پس از آن، کارتريج باتری ممکن است گرم شود که همین موضوع می‌تواند باعث سوختگی یا سوختگی با دمای پایین شود. هنگام دست زدن به کارتريج‌های باتری داغ حواستان را جمع کنید.
- بلافاصله پس از استفاده، پایانه ابزار را لمس نکنید زیرا ممکن است به اندازه‌ای داغ شده باشد که باعث ایجاد سوختگی شود.
- اجازه ندهید براده، گرد و غبار یا خاک در داخل میانه‌ها، سوراخ‌ها و شیارهای کارتريج باتری گیر کنند. این موضوع ممکن است به عملکرد ضعیف یا خراب شدن ابزار یا کارتريج باتری منجر شود.
- از کارتريج باتری در نزدیکی کابل‌های فشار قوی استفاده نکنید، مگر در مواردی که این ابزار از استفاده در نزدیکی کابل برق فشار قوی پشتیبانی کند. این موضوع ممکن است به نقص در عملکرد یا خراب شدن ابزار یا کارتريج باتری منجر شود.
- باتری را از دسترس کودکان دور نگه‌دارید.

از این دستورالعمل‌ها نگاه‌داری کنید.

⚠ احتیاط: فقط از باتری‌های اصلی Makita استفاده کنید. استفاده از باتری‌های غیر اصلی Makita یا باتری‌هایی که تغییر کرده‌اند ممکن است باعث ترکیدن باتری شود و به آتش‌سوزی، آسیب شخصی و خسارت بیانجامد. این اتفاق همچنین ضمانت Makita را برای ابزار و شارژر Makita بی‌اعتبار می‌کند.

نکاتی برای حفظ حداکثر عمر باتری

1. قبل از تخلیه کامل، کارتريج باتری را شارژ کنید. هر وقت متوجه شدید برق باتری ابزار کم است، همیشه کار با ابزار را متوقف کنید و کارتريج باتری را شارژ نمایید.
2. هرگز کارتريج باتری کاملاً شارژ شده را شارژ نکنید. شارژ بیش از حد، طول عمر باتری را کوتاه می‌کند.
3. کارتريج باتری را در درجه حرارت اتاق یعنی در دمای 10 تا 40 درجه سانتیگراد (50 تا 104 درجه فارنهایت) شارژ کنید. قبل از شارژ، بگذارید کارتريج باتری داغ خنک شود.
4. هنگام استفاده نکردن از کارتريج باتری، آن را از ابزار یا شارژر جدا کنید.
5. در صورت عدم استفاده از کارتريج باتری برای مدت طولانی (بیش از شش ماه)، آن را شارژ کنید.

- در شرایط استفاده نادرست، ممکن است مایعی از باتری خارج شود؛ به آن دست نزنید. اگر بطور تصادفی با بدن‌تان تماس پیدا کرد، به آب فراوان بشویید. در صورت تماس مایع با چشم، علاوه بر این کار به پزشک نیز مراجعه کنید. مایع خارج شده از باتری ممکن است باعث سوزش یا سوختگی شود.
- از مجموعه باتری یا دستگاه آسیب‌دیده یا دستکاری‌شده استفاده نکنید. باتری‌های آسیب‌دیده یا دستکاری‌شده ممکن است رفتار غیرقابل پیش‌بینی داشته باشند و در نتیجه منجر به آتش‌سوزی، انفجار یا آسیب جسمی شوند.
- یک باتری یا دستگاه را در معرض آتش یا دمای بیش از حد قرار ندهید. قرار دادن آنها در معرض آتش یا دمای بالاتر از 130 درجه سانتیگراد (265 درجه فارنهایت) ممکن است باعث انفجار شود.
- تمام دستورالعمل‌های شارژ کردن را دنبال کنید و یک باتری یا دستگاه را خارج از محدوده دمایی مشخص‌شده در دستورالعمل‌ها شارژ نکنید. شارژ نادرست دستگاه یا شارژ کردن آن در دمای خارج از محدوده مشخص‌شده ممکن است به باتری آسیب بزند و خطر آتش‌سوزی را افزایش دهد.
- سرویس کردن دستگاه را به یک تعمیرکار واجد شرایط بسپارید که فقط از قطعات یدکی یکسان استفاده می‌کند. این کار باعث می‌شود که ایمنی محصول حفظ شود.
- دستکاری یا مجموعه باتری را دستکاری نکنید یا سعی نکنید که آن را تعمیر نمایید، مگر اینکه دستورالعمل‌های مربوط به استفاده و مراقبت را رعایت کنید.

دستورالعمل‌های ایمنی مهم برای کارتريج باتری

- قبل از استفاده از کارتريج باتری، تمام دستورالعمل‌ها و علائم هشداردهنده روی (1) شارژر باتری، (2) باتری و (3) محصولی که از باتری استفاده می‌کند را بخوانید.
- کارتريج باتری را باز یا دستکاری نکنید. این کار ممکن است منجر به آتش‌سوزی، گرمای بیش از حد، یا انفجار شود.
- اگر زمان بهره‌برداری نسبت به قبل بیش از حد کوتاه شده باشد، بلافاصله دستگاه را متوقف کنید. این کار ممکن است به داغ شدن، سوختگی احتمالی و حتی انفجار منجر شود.
- اگر الکترولیت به چشم شما رفت، آن را با آب تمیز بشویید و سریعاً به پزشک مراجعه کنید. این مواد ممکن است باعث از بین رفتن بینایی شما شود.
- از اتصال کوتاه کارتريج باتری پرهیز کنید.
- (1) از تماس دادن پایانه‌ها با هرگونه ماده رسانا خودداری کنید.
- (2) از نگهداشتن کارتريج باتری در یک ظرف دارای اجزای فلزی دیگر مانند میخ، سکه و غیره خودداری کنید.
- (3) کارتريج باتری را در معرض آب یا باران قرار ندهید. اتصال کوتاه باتری می‌تواند باعث ایجاد جریان زیاد، داغ کردن، سوختگی احتمالی و حتی خرابی شود.
- از نگاه‌داری و استفاده ابزار و کارتريج باتری در مکان‌هایی که درجه حرارت ممکن است به بیش از 50 درجه سانتیگراد (122 درجه فارنهایت) برسد، خودداری کنید.
- از انداختن کارتريج باتری در آتش حتی در صورت آسیب‌دیدگی شدید یا فرسودگی کامل آن جداً خودداری کنید. کارتريج باتری می‌تواند داخل آتش منفجر شود.
- از ناخن زدن، برش دادن، خرد کردن، پرتاب کردن، رها کردن کارتريج باتری، یا کوبیدن کارتريج باتری به یک جسم سخت اجتناب کنید. چنین رفتاری ممکن است منجر به آتش‌سوزی، گرمای بیش از حد، یا انفجار شود.
- از باتری آسیب‌دیده استفاده نکنید.

در زیر، نمادهای مورد استفاده در تجهیزات نشان داده شده است. حتماً معنی و مفهوم آنها را قبل از استفاده درک کنید.



• دفترچه راهنمای دستورالعمل را بخوانید



• فقط استفاده داخلی



• فقط برای کشورهای اتحادیه اروپا
به دلیل وجود اجزای خطرناک در تجهیزات، ضایعات تجهیزات الکتریکی و الکترونیکی، باتری‌ها و ذخایر ممکن است تأثیر منفی بر محیط زیست و سلامت انسان داشته باشد. وسایل برقی و الکترونیکی یا باتری‌ها را با زباله‌های خانگی ناندازید!

مطابق با دستورالعمل اروپا در مورد ضایعات تجهیزات الکتریکی و الکترونیکی و ذخایر و باتری‌ها و همچنین انطباق آن‌ها با قوانین ملی، ضایعات تجهیزات الکتریکی، باتری‌ها و ذخایر باید به طور جداگانه ذخیره شده و به یک نقطه جمع‌آوری جداگانه زباله‌های شهری که مطابق با مقررات حفاظت از محیط زیست عمل می‌کند، تحویل داده شوند. این با نماد سطل زباله چرخدار خط خورده که روی تجهیزات قرار داده شده است نشان داده می‌شود.



• تابش نوری (UV و IR).
تا حد امکان چشم یا پوستتان را کمتر در معرض نور قرار دهید.



• به چراغ روشن خیره نشوید.



• از عینک یا محافظ چشم مناسب استفاده کنید.



• دقت و توجه ویژه‌ای به خرج دهید!

هشدارهای ایمنی

دستورالعمل‌های ایمنی مهم

⚠ هشدار: هنگام استفاده از ابزارهای الکتریکی، باید اقدامات احتیاطی و ایمنی اولیه را همواره رعایت کنید تا خطر آتش‌سوزی، برق‌گرفتگی و آسیب شخصی کاهش یابد، از جمله موارد زیر:

تمام دستورالعمل‌ها را بخوانید.

1. به نور خیره نشوید و یا چشمانتان را در معرض نور قرار ندهید. ممکن است چشمانتان آسیب ببینند.
2. چراغ را با پارچه یا کارت‌ن و غیره نپوشانید، در غیر این صورت ممکن است باعث ایجاد آتش‌سوزی شود.
3. دستگاه ضد آب نیست. از آن در مکان‌های خیس یا مرطوب استفاده نکنید. آن را در معرض باران و برف قرار ندهید. آن را در آب نشویید.
4. از لمس کردن قسمت داخلی دستگاه با موچین، ابزارهای فلزی و غیره خودداری کنید.
5. هنگامی که دستگاه در حال استفاده نیست، آن را همیشه خاموش کنید و کارت‌تریج باتری را از دستگاه جدا کنید.
6. با رها کردن دستگاه، ضربه زدن به آن و کارهایی از این دست به آن شوک وارد نکنید.
7. اطلاعات ایمنی برای نورافکن‌های قابل حمل دارای باتری.
• دفع باتری باید مطابق با مقررات محلی شما در رابطه با دفع مواد خطرناک انجام شود.
• باتری را آتش نزنید.
• اطلاعات اضافی برای نورافکن‌ها.
• منبع نور این لامپ قابل تعویض نیست. وقتی منبع نور به پایان عمر خود رسید، کل لامپ باید تعویض شود.
• استفاده و مراقبت از ابزار باتری.
- هشدار: تمام هشدارها و دستورالعمل‌های ایمنی را بخوانید. عدم رعایت هشدارها و دستورالعمل‌های ذکر شده در فهرست زیر ممکن است منجر به برق‌گرفتگی، آتش‌سوزی و/یا آسیب جدی شود.
• از راه‌اندازی غیر عمدی دستگاه جلوگیری کنید. قبل از اتصال دستگاه به مجموعه باتری، برداشتن یا حمل کردن آن، اطمینان حاصل کنید که کلید در حالت خاموش باشد. حمل دستگاه هنگام قرار داشتن انگشت روی کلید یا به برق زدن دستگاه موقع روشن بودن کلید آن باعث بروز حادثه می‌شود.
• قبل از انجام هرگونه تنظیم، تعویض لوازم جانبی یا نگهداری دستگاه در انبار، مجموعه باتری را از دستگاه جدا کنید. انجام اقدامات ایمنی و پیشگیرانه این چنینی خطر روشن شدن تصادفی دستگاه را کاهش می‌دهد.
• دستگاه را فقط با شارژر مخصوص مشخص شده توسط سازنده شارژ کنید. شارژر مناسب برای یک نوع مجموعه باتری ممکن است هنگام استفاده با مجموعه باتری دیگر منجر به بروز خطر آتش‌سوزی شود.
• از دستگاه‌ها فقط با مجموعه‌های باتری مخصوص استفاده کنید. استفاده از مجموعه باتری دیگر ممکن است به آسیب‌دیدگی و آتش‌سوزی منجر شود.
• در صورت عدم استفاده از مجموعه باتری، آن را از دیگر اشیاء فلزی مانند گیره کاغذ، سکه، کلید، میخ، پیچ یا سایر اشیاء فلزی کوچک، که ممکن است باعث اتصال یک پایانه به پایانه دیگر شود دور نگه دارید. اتصال کوتاه پایانه‌های باتری ممکن است باعث سوختگی یا آتش‌سوزی شود.

توضیحات نمای کلی

- | | | |
|----------------------------------|--------------------|---------------------|
| 9. حالت نقطه‌ای متمرکز + پخش نور | 5. دکمه بررسی | 1. کارتریج باتری |
| 10. حالت نقطه‌ای متمرکز | 6. دکمه روشن/خاموش | 2. نشانگر قرمز |
| 11. قلاب | 7. دکمه حالت | 3. دکمه خلاصی باتری |
| 12. شانه بند | 8. حالت پخش نور | 4. چراغ‌های نشانگر |
| 13. کلیپ | | |

مشخصات

مدل	ML007G
LED	نقطه‌ای متمرکز: 1 قطعه / پخش نور: 16 قطعه. (شمکزن: 17 قطعه)
ابعاد (طول × عرض × ارتفاع)	118 mm × 120 mm × 323 mm
ولتاژ اسمی	جریان مستقیم 36 ولت - 40 ولت حداکثر
وزن خالص (بدون کارتریج باتری و شانه بند)	0.95 kg

- با توجه به ادامه برنامه تحقیق و توسعه ما، مشخصات موجود در این دفترچه ممکن است بدون اطلاع قبلی تغییر یابد.
- مشخصات ممکن است در کشور های مختلف متفاوت باشد.
- ابعاد با BL4025 و با سر رو به جلو می باشد.

کارتریج باتری و شارژر قابل استفاده

کارتریج باتری	BL4080F / BL4050F / BL4040 / BL4025 / BL4020
شارژر	DC40RC / DC40RB / DC40RA

- بسته به منطقه سکونت شما، ممکن است برخی از کارتریج‌های باتری ذکر شده در فهرست بالا موجود نباشند.

⚠ هشدار: فقط از کارتریج های باتری و شارژر ذکر شده در فهرست بالا استفاده کنید. استفاده از کارتریج‌های باتری و شارژرهای دیگر ممکن است باعث آسیب‌دیدگی و/یا آتش‌سوزی شود.

زمان کارکرد

کارتریج باتری	زمان کارکرد (تقریبی)		
	نقطه‌ای متمرکز	پخش نور	نقطه‌ای متمرکز + پخش نور
BL4020	5.0 ساعت	5.0 ساعت	3.5 ساعت
BL4025	6.5 ساعت	6.5 ساعت	4.5 ساعت
BL4040	10 ساعت	10 ساعت	7.5 ساعت
F0504LB	13 ساعت	13 ساعت	9.5 ساعت
F0804LB	22 ساعت	22 ساعت	16 ساعت

- زمان کارکرد ارائه شده در جدول فوق دستورالعملی تقریبی است. این مقادیر ممکن است با زمان کارکرد واقعی متفاوت باشد.
- بسته به نوع باتری، وضعیت شارژ و وضعیت استفاده ممکن است زمان کارکرد متفاوت باشد.
- کارتریج باتری ممکن است از کشوری به کشور دیگر متفاوت باشد.

Makita Europe N.V. Jan-Baptist Vinkstraat 2,
3070 Kortenberg, Belgium

Makita Corporation 3-11-8, Sumiyoshi-cho,
Anjo, Aichi 446-8502 Japan