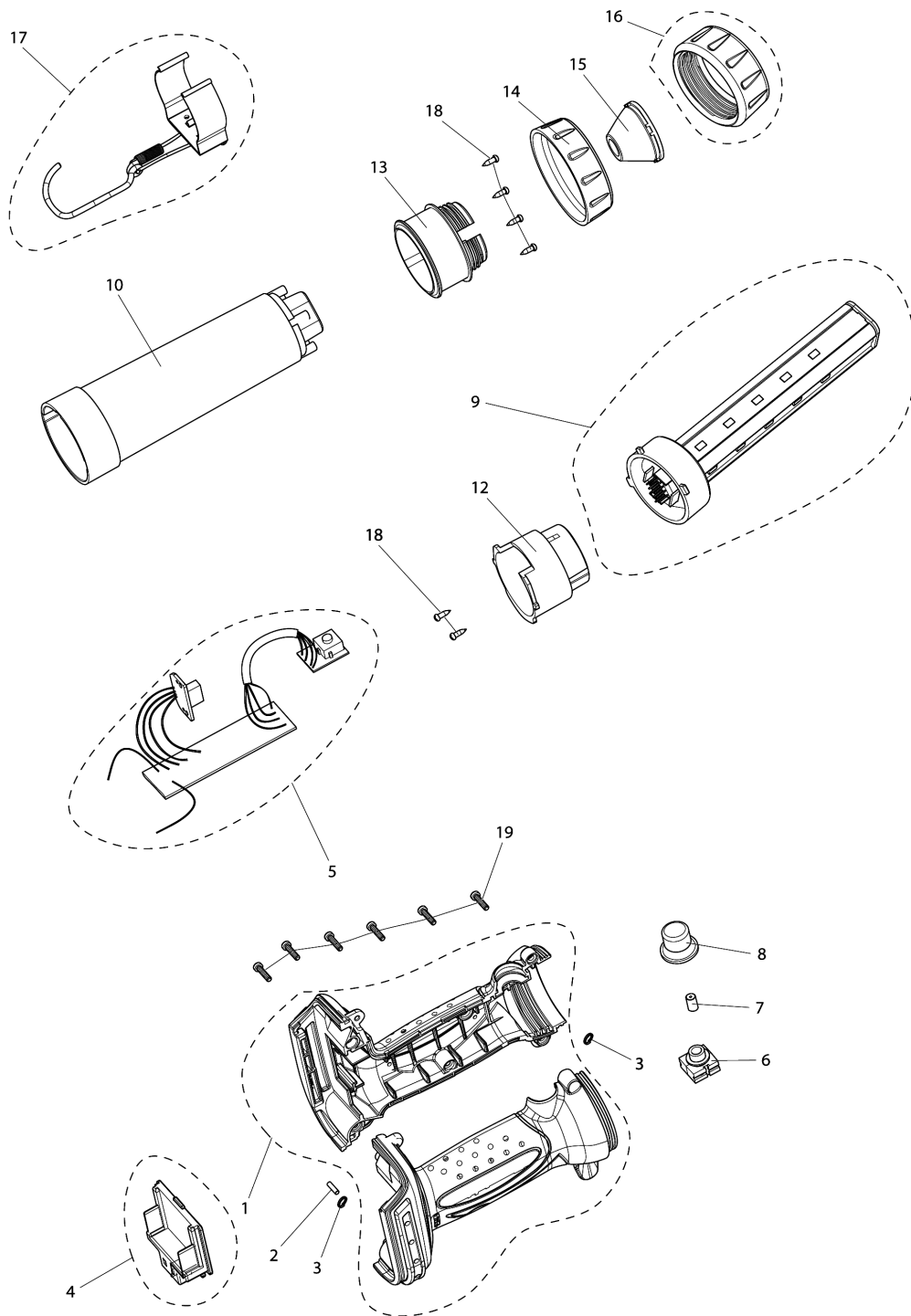


Model No.DML806 RECHARGEABLE LED FLASHLIGHT



Model No.DML806 RECHARGEABLE LED FLASHLIGHT

Položka	Objednávacie číslo	Popis	Zmena	ks	New/Old	Možnosť 1	Možnosť 2	Poznámka
001	GM00001382	HOUSING L/R		1				
002	GM00001383	METAL PIN		1				
003	SM00000190	RING B3103184009		2				
004	GM00001117	BATTERY HOLDER C2010239007		1				
005-1	GM00001431	MAIN PCBA ASS'Y		1				
006	GM00001385	SWITCH HOLDER		1				
007	GM00001386	SWITCH ROD		1				
008	GM00001387	SWITCH RUBBER COVER		1				
009	GM00001388	LED LAMP TUBE ASS'Y		1				
010	GM00001389	DUFFUSING CAP		1				
012	GM00001391	LAMP HOLDER		1				
013	GM00001392	BULB BRACKET		1				
014	GM00001019	LOCK RING 30110184004		1				
015	GM00001393	REFLECTOR		1				
016	GM00001394	TORCH LENS ASS'Y		1				
017	GM00001027	METAL HOOK		1				
018	GM00001395	SCREW 2.6X8PB B0126081102		6				
019	GM00001024	SCREW 3X12 B0130120202		6				

Please order the parts with part number.

Print Date 19/8/2021