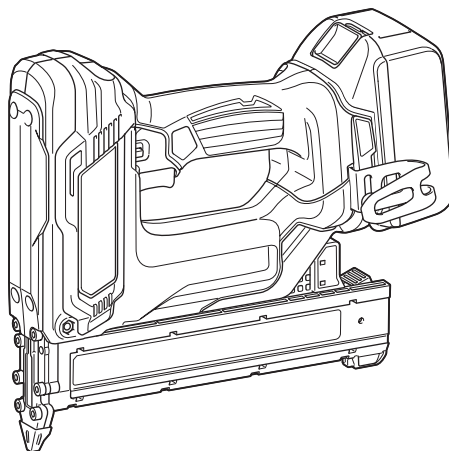




EN	Cordless Brad Nailer	INSTRUCTION MANUAL	5
PL	Sztyfciaarka Akumulatorowa	INSTRUKCJA OBSŁUGI	11
HU	Akkumulátoros szögbelövő fej nélküli szögekhez	HASZNÁLATI KÉZIKÖNYV	17
SK	Akkumulátorová klincovačka	NÁVOD NA OBSLUHU	23
CS	Akkumulátorová hřebíkovačka na kolářské hřebíky	NÁVOD K OBSLUZE	29
UK	Акумуляторний цвяхозабивний пістолет	ІНСТРУКЦІЯ З ЕКСПЛУАТАЦІЇ	35
RO	Pistol de bătuț cuie fără cap, cu acumulator	MANUAL DE INSTRUCȚIUNI	42
DE	Akku-Nagler	BETRIEBSANLEITUNG	48

DFN350



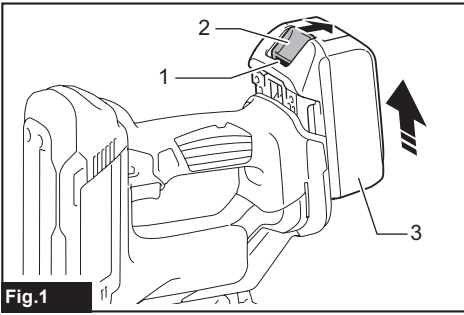


Fig.1

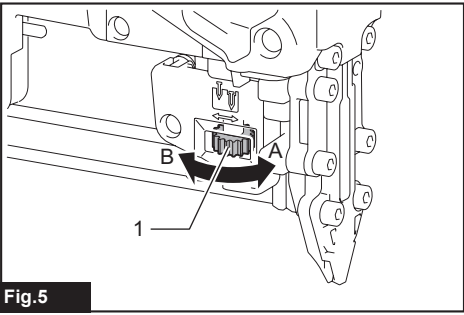


Fig.5



Fig.2

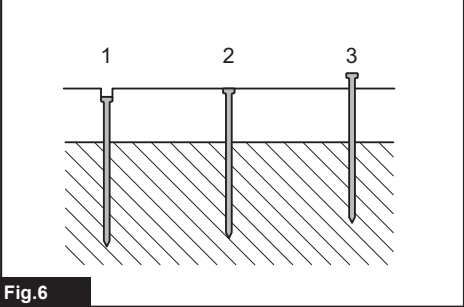


Fig.6

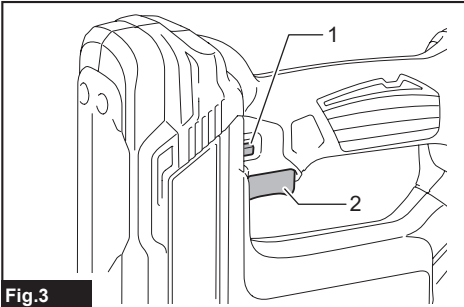


Fig.3

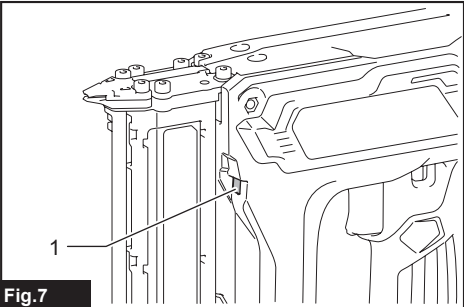


Fig.7

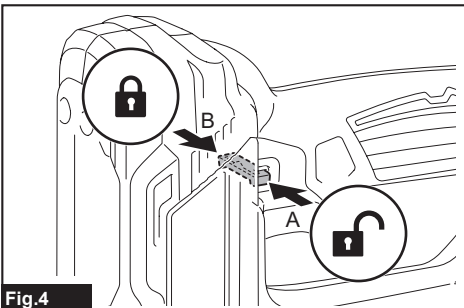


Fig.4

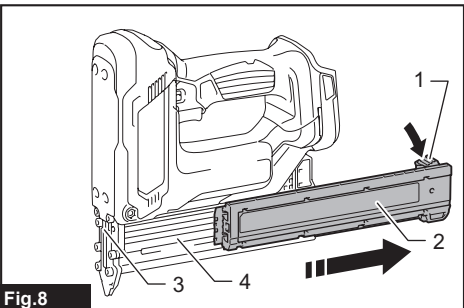
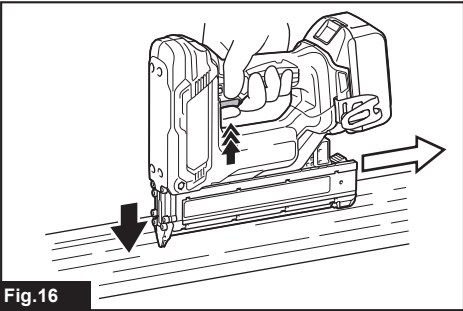
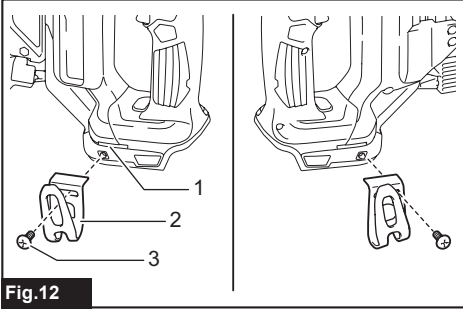
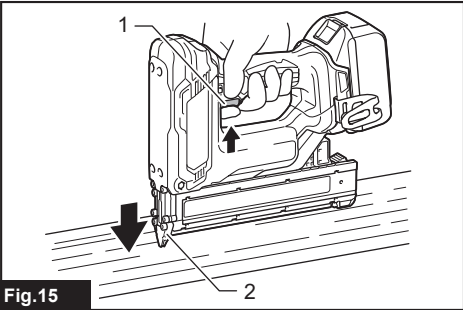
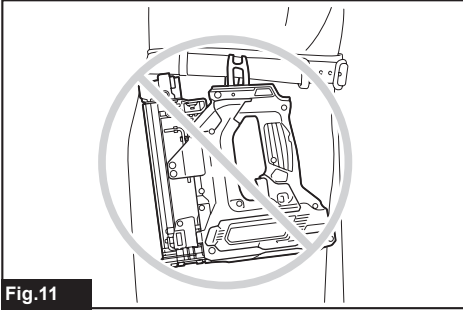
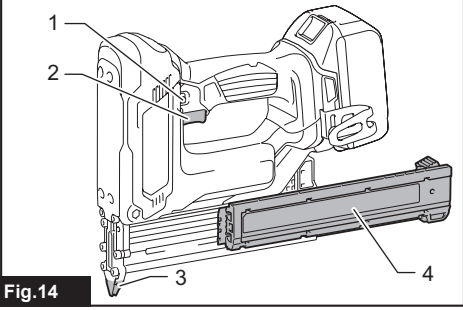
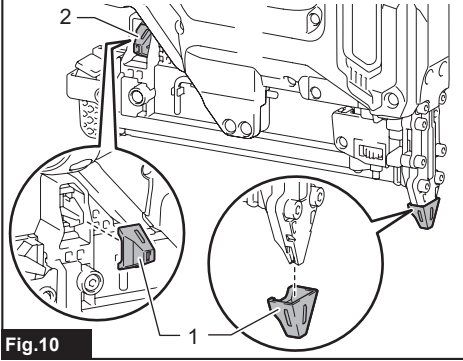
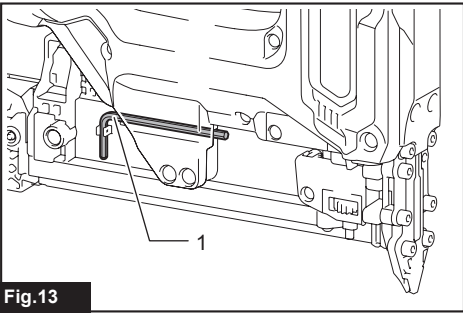
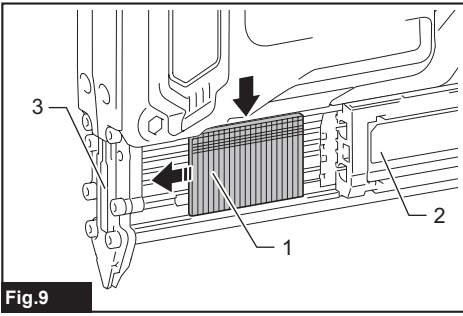


Fig.8



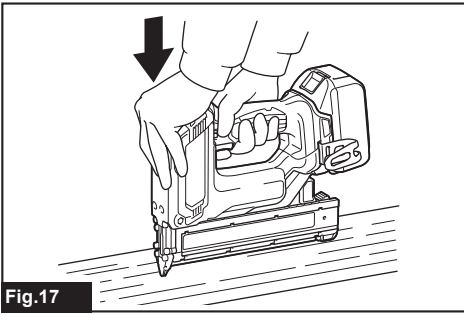


Fig.17

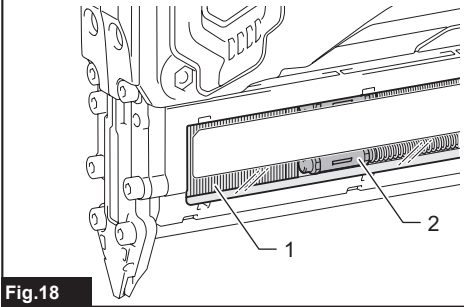


Fig.18

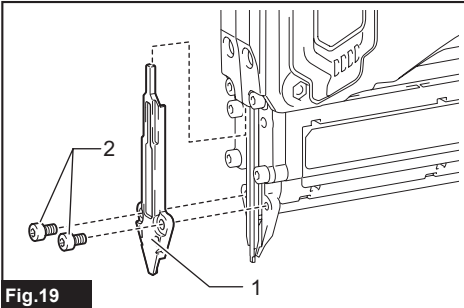


Fig.19

SPECIFICATIONS

Model:	DFN350
Nail size	18Ga x 15, 20, 25, 30, 35 mm
Nail magazine capacity	100 pcs.
Dimensions with BL1860B, without hook (L x W x H)	257 mm x 79 mm x 228 mm
Rated voltage	D.C. 18 V
Net weight	2.4 kg

- Due to our continuing program of research and development, the specifications herein are subject to change without notice.
- Specifications and battery cartridge may differ from country to country.
- The weight may differ depending on the attachment(s), including the battery cartridge. The lightest and heaviest combinations, according to EPTA-Procedure 01/2014, are shown in the table.

Applicable battery cartridge

BL1815 / BL1815N / BL1820 / BL1820B / BL1830 / BL1830B / BL1840 / BL1840B / BL1850 / BL1850B / BL1860B

- Some of the battery cartridges listed above may not be available depending on your region of residence.

⚠WARNING: Only use the battery cartridges listed above. Use of any other battery cartridges may cause injury and/or fire.

Intended use

The tool is intended for fastening soft wood.

Noise

The typical A-weighted noise level determined according to EN60745-2-16:

Sound pressure level (L_{pA}) : 81 dB(A)

Sound power level (L_{WA}) : 92 dB (A)

Uncertainty (K) : 3 dB(A)

NOTE: The declared noise emission value(s) has been measured in accordance with a standard test method and may be used for comparing one tool with another.

NOTE: The declared noise emission value(s) may also be used in a preliminary assessment of exposure.

⚠WARNING: Wear ear protection.

⚠WARNING: The noise emission during actual use of the power tool can differ from the declared value(s) depending on the ways in which the tool is used especially what kind of workpiece is processed.

⚠WARNING: Be sure to identify safety measures to protect the operator that are based on an estimation of exposure in the actual conditions of use (taking account of all parts of the operating cycle such as the times when the tool is switched off and when it is running idle in addition to the trigger time).

Vibration

The vibration total value determined according to EN60745-2-16:

Vibration emission (a_h) : 2.5 m/s² or less

Uncertainty (K) : 1.5 m/s²

NOTE: The declared vibration total value(s) has been measured in accordance with a standard test method and may be used for comparing one tool with another.

NOTE: The declared vibration total value(s) may also be used in a preliminary assessment of exposure.

⚠WARNING: The vibration emission during actual use of the power tool can differ from the declared value(s) depending on the ways in which the tool is used especially what kind of workpiece is processed.

⚠WARNING: Be sure to identify safety measures to protect the operator that are based on an estimation of exposure in the actual conditions of use (taking account of all parts of the operating cycle such as the times when the tool is switched off and when it is running idle in addition to the trigger time).

EC Declaration of Conformity

For European countries only

The EC declaration of conformity is included as Annex A to this instruction manual.

SAFETY WARNINGS

General power tool safety warnings

⚠️WARNING: Read all safety warnings, instructions, illustrations and specifications provided with this power tool. Failure to follow all instructions listed below may result in electric shock, fire and/or serious injury.

Save all warnings and instructions for future reference.

The term "power tool" in the warnings refers to your mains-operated (corded) power tool or battery-operated (cordless) power tool.

Cordless nailer safety warnings

1. **Always assume that the tool contains fasteners.** Careless handling of the nailer can result in unexpected firing of fasteners and personal injury.
2. **Do not point the tool towards yourself or anyone nearby.** Unexpected triggering will discharge the fastener causing an injury.
3. **Do not actuate the tool unless the tool is placed firmly against the workpiece.** If the tool is not in contact with the workpiece, the fastener may be deflected away from your target.
4. **Disconnect the tool from the power source when the fastener jams in the tool.** While removing a jammed fastener, the nailer may be accidentally activated if it is plugged in.
5. **Use caution while removing a jammed fastener.** The mechanism may be under compression and the fastener may be forcefully discharged while attempting to free a jammed condition.
6. **Do not use this nailer for fastening electrical cables.** It is not designed for electric cable installation and may damage the insulation of electric cables thereby causing electric shock or fire hazards.
7. **Keep hands and feet away from the ejection port area.**
8. **Follow instruction for lubricating and changing accessories.**
9. **Always remove the battery cartridge before loading the fasteners, adjustment, inspection, maintenance or after operation is over.**
10. **Make sure no one is nearby before operation.** Never attempt to drive fasteners from both the inside and outside of wall at the same time. Fasteners may rip through and/or fly off, presenting a grave danger.
11. **Watch your footing and maintain your balance with the tool.** Make sure there is no one below when working in high locations.
12. **Never use fastener driving tools marked with the symbol "Do not use on scaffoldings, ladders" for specific application for example:**
 - when changing one driving location to another involves the use of scaffoldings, stairs, ladders, or ladder alike constructions, e.g. roof laths;

- closing boxes or crates;
 - fitting transportation safety systems e.g. on vehicles and wagons.
13. **Check walls, ceilings, floors, roofing and the like carefully to avoid possible electrical shock, gas leakage, explosions, etc. caused by stapling into live wires, conduits or gas pipes.**
 14. **Use only fasteners specified in this manual. The use of any other fasteners may cause malfunction of the tool.**
 15. **Do not tamper with the tool or attempt to use it for other than driving fasteners.**
 16. **Do not operate the tool without fasteners. It shortens the service life of the tool.**
 17. **Stop driving operations immediately if you notice something wrong or out of the ordinary with the tool.**
 18. **Never fasten into any materials which may allow the fastener to puncture and fly through as a projectile.**
 19. **Never actuate the switch trigger and contact element at the same time until you are prepared to fasten workpieces. Allow the workpiece to depress the contact element. Never defeat its purpose by securing the contact element back or by depressing it by hand.**
 20. **Never tamper with the contact element. Check the contact element frequently for proper operations.**
 21. **Always remove fasteners from the tool when not in use.**

SAVE THESE INSTRUCTIONS.

⚠️WARNING: DO NOT let comfort or familiarity with product (gained from repeated use) replace strict adherence to safety rules for the subject product. MISUSE or failure to follow the safety rules stated in this instruction manual may cause serious personal injury.

Important safety instructions for battery cartridge

1. **Before using battery cartridge, read all instructions and cautionary markings on (1) battery charger, (2) battery, and (3) product using battery.**
2. **Do not disassemble battery cartridge.**
3. **If operating time has become excessively shorter, stop operating immediately. It may result in a risk of overheating, possible burns and even an explosion.**
4. **If electrolyte gets into your eyes, rinse them out with clear water and seek medical attention right away. It may result in loss of your eyesight.**
5. **Do not short the battery cartridge:**
 - (1) **Do not touch the terminals with any conductive material.**
 - (2) **Avoid storing battery cartridge in a container with other metal objects such as nails, coins, etc.**
 - (3) **Do not expose battery cartridge to water or rain.**

A battery short can cause a large current flow, overheating, possible burns and even a breakdown.

6. Do not store the tool and battery cartridge in locations where the temperature may reach or exceed 50 °C (122 °F).
7. Do not incinerate the battery cartridge even if it is severely damaged or is completely worn out. The battery cartridge can explode in a fire.
8. Be careful not to drop or strike battery.
9. Do not use a damaged battery.
10. The contained lithium-ion batteries are subject to the Dangerous Goods Legislation requirements.
For commercial transports e.g. by third parties, forwarding agents, special requirement on packaging and labeling must be observed.
For preparation of the item being shipped, consulting an expert for hazardous material is required. Please also observe possibly more detailed national regulations.
Tape or mask off open contacts and pack up the battery in such a manner that it cannot move around in the packaging.
11. Follow your local regulations relating to disposal of battery.
12. Use the batteries only with the products specified by Makita. Installing the batteries to non-compliant products may result in a fire, excessive heat, explosion, or leak of electrolyte.

SAVE THESE INSTRUCTIONS.

⚠ CAUTION: Only use genuine Makita batteries. Use of non-genuine Makita batteries, or batteries that have been altered, may result in the battery bursting causing fires, personal injury and damage. It will also void the Makita warranty for the Makita tool and charger.

Tips for maintaining maximum battery life

1. Charge the battery cartridge before completely discharged. Always stop tool operation and charge the battery cartridge when you notice less tool power.
2. Never recharge a fully charged battery cartridge. Overcharging shortens the battery service life.
3. Charge the battery cartridge with room temperature at 10 °C - 40 °C (50 °F - 104 °F). Let a hot battery cartridge cool down before charging it.
4. Charge the battery cartridge if you do not use it for a long period (more than six months).

FUNCTIONAL DESCRIPTION

⚠ CAUTION: Always be sure that the tool is switched off and the battery cartridge is removed before adjusting or checking function on the tool.

Installing or removing battery cartridge

⚠ CAUTION: Always switch off the tool before installing or removing of the battery cartridge.

⚠ CAUTION: Hold the tool and the battery cartridge firmly when installing or removing battery cartridge. Failure to hold the tool and the battery cartridge firmly may cause them to slip off your hands and result in damage to the tool and battery cartridge and a personal injury.

► Fig.1: 1. Red indicator 2. Button 3. Battery cartridge

To remove the battery cartridge, slide it from the tool while sliding the button on the front of the cartridge.

To install the battery cartridge, align the tongue on the battery cartridge with the groove in the housing and slip it into place. Insert it all the way until it locks in place with a little click. If you can see the red indicator on the upper side of the button, it is not locked completely.

⚠ CAUTION: Always install the battery cartridge fully until the red indicator cannot be seen. If not, it may accidentally fall out of the tool, causing injury to you or someone around you.

⚠ CAUTION: Do not install the battery cartridge forcibly. If the cartridge does not slide in easily, it is not being inserted correctly.

Tool / battery protection system

The tool is equipped with a tool/battery protection system. This system automatically cuts off power to the motor to extend tool and battery life. The tool will automatically stop during operation if the tool or battery is placed under one of the following conditions:

Overload protection

When the tool/battery is operated in a manner that causes it to draw an abnormally high current, the tool automatically stops without any indication. In this situation, turn the tool off and stop the application that caused the tool to become overloaded. Then turn the tool on to restart.

Overheat protection

When the tool/battery is overheated, the tool stops automatically. In this situation, let the tool/battery cool before turning the tool on again.

Overdischarge protection

When the battery capacity is not enough, the tool stops automatically. In this case, remove the battery from the tool and charge the battery.

Indicating the remaining battery capacity

Only for battery cartridges with the indicator

► **Fig.2:** 1. Indicator lamps 2. Check button

Press the check button on the battery cartridge to indicate the remaining battery capacity. The indicator lamps light up for a few seconds.

Indicator lamps			Remaining capacity
Lighted	Off	Blinking	
■	□	▧	75% to 100%
■ ■ ■ ■			
■	□	▧	50% to 75%
■ ■ ■ □			
■	□	▧	25% to 50%
■ ■ □ □			
■	□	▧	0% to 25%
■ □ □ □			
▧	□	□	Charge the battery.
■ ■ □ □	↑ ↓	□ □	The battery may have malfunctioned.
□ □ ■ ■			

NOTE: Depending on the conditions of use and the ambient temperature, the indication may differ slightly from the actual capacity.

Trigger-lock button

CAUTION: Before installing the battery cartridge into the tool, always check to see that the switch trigger actuates properly and returns to the "OFF" position when released.

CAUTION: When not operating the tool, depress the trigger-lock button from B side to lock the switch trigger in the OFF position.

► **Fig.3:** 1. Trigger-lock button 2. Switch trigger

► **Fig.4**

To prevent the switch trigger from accidentally pulled, the trigger-lock button is provided.

To pull the switch trigger, depress the trigger-lock button from A side. After use, always press in the trigger-lock button from B side.

Adjusting the depth of nailing

WARNING: Always make sure that your fingers are not placed on the switch trigger or the contact element and the battery cartridge is removed before adjusting the depth of nailing.

Depth of nailing can be adjusted on this nailer. To adjust the depth of nailing, turn the adjuster. The depth of nailing is the deepest when the adjuster is turned fully in the A direction shown in the figure. It will become shallower as the adjuster is turned in the B direction. Depth can be adjusted 2.5 mm to the maximum.

► **Fig.5:** 1. Adjuster

► **Fig.6:** 1. Too deep 2. Flush 3. Too shallow

Lighting up the lamp

CAUTION: Do not look in the light or see the source of light directly.

Pull the switch trigger or actuate the contact element to light up the lamp. The lamp keeps on lighting while pulling the switch trigger or actuating the contact element. The lamp goes out approximately 10 seconds after releasing the switch trigger and the contact element.

► **Fig.7:** 1. Lamp

NOTE: Use a dry cloth to wipe the dirt off the lens of the lamp. Be careful not to scratch the lens of lamp, or it may lower the illumination.

NOTE: Even in the lamp lights up when the battery power residual gets small, nailer may not fire nails. In this case, charge the battery cartridge.

NOTE: The lamp starts blinking if the nailer detects an error during driving the nail. In this case, bring the nailer to a Factory Service Center.

ASSEMBLY

CAUTION: Always make sure that your fingers are not placed on the switch trigger or the contact element and the battery cartridge is removed before carrying out any work on the nailer.

Loading or unloading the nails

CAUTION: Always make sure that your fingers are not placed on the trigger and the battery cartridge is removed before loading nails.

CAUTION: Do not abruptly slide the slide door of the nailer loaded with nails. Accidentally dropping nails especially when working in high places may cause personal injuries.

CAUTION: Load nails in the correct direction. Loading in wrong direction may cause premature wear and tear of the driver and damage of the other parts.

CAUTION: Do not use deformed nail strips. Use nails specified in this manual. Using nails other than those specified may cause nail jamming and breakage of the nailer.

1. Press the lock lever and open the slide door of the magazine.

► **Fig.8:** 1. Lock lever 2. Slide door 3. Driver guide 4. Magazine

2. Set a nail strip so that the nail tips touch the bottom of the magazine and slide the nail strip toward the firing opening.

► **Fig.9:** 1. Nails 2. Slide door 3. Driver guide

3. Return the slide door to the original position until the lock lever locks it.

To remove the nails, press the lock lever and slide the slide door. Take out nails from the magazine.

Nose adapter

CAUTION: Always make sure that your fingers are not placed on the switch trigger or the contact element and the battery cartridge is removed before installing the nose adapter.

When firing nails on the material with easily-marred surfaces, use the nose adapter. To attach the nose adapter, put it onto the driver guide cover to the end. You can store the nose adapter on the holder on the back end of the magazine to keep it from being lost.

► **Fig.10:** 1. Nose adapter 2. Holder

Hook

CAUTION: Do not hang the hook from the waist belt. Dropping the nailer, which is caused by the hook accidentally coming out of place, may cause unintentional firing and result in personal injuries.

► **Fig.11**

The hook is convenient for temporarily hanging the tool. This can be installed on either side of the tool.

To install the hook, insert it into a groove in the tool housing on either side and then secure it with a screw. To remove, loosen the screw and then take it out.

► **Fig.12:** 1. Groove 2. Hook 3. Screw

Hex wrench storage

When not in use, store the hex wrench as shown in the figure to keep it from being lost.

► **Fig.13:** 1. Hex wrench

OPERATION

Testing the safety system

WARNING: Make sure all safety systems are in working order before operation. Failure to do so may cause personal injuries.

► **Fig.14:** 1. Trigger-lock button 2. Switch trigger 3. Contact element 4. Magazine

Test safety systems for possible fault before operation as follows.

1. Unload nails from the tool and keep the magazine opened.
2. Install the battery cartridge and release the trigger lock.
3. Only pull the switch trigger without touching the contact element against the material.
4. Only touch the contact element against the material without pulling the switch trigger.

If the tool operates in the case of 3 and 4 above, the safety systems are faulty. Stop using the tool immediately and ask your local service center.

Driving nails

WARNING: Continue to place the contact element firmly on the material until the nail is driven completely. Unintentional firing may cause personal injuries.

1. Release the trigger lock.
 2. Place flat the contact element on the material.
 3. Pull the switch trigger fully to drive a nail.
 4. To drive the next nail, release your finger from the switch trigger once, and then repeat the step 2 and 3 above.
- **Fig.15:** 1. Switch trigger 2. Contact element

You can also drive the nails when dragging the tool to the next area with the contact element pressed against the material and pulling the switch trigger.

► **Fig.16**

If the head of the nail remains above the workpiece surface, drive the nail while holding the nailer head firmly against the workpiece.

► **Fig.17**

NOTE: If the head of the nail still remains above the workpiece even you hold the nail head, the material may not be suitable for the nailer. Continuing to use the nailer on such material may result in a damage to the driver of the nailer and/or nailer jamming.

Anti dry fire mechanism

WARNING: Always make sure that your fingers are not placed on the switch trigger or the contact element and the battery cartridge is removed before loading the nailer.

When the number of remaining nail strips in the magazine is empty, the switch trigger can no longer be pulled. At this time, insert a new nail strip in the magazine. The switch trigger can be pulled again.

Checking remaining nails

You can check the amount of remaining nails through the sight window.

The red indicator moves toward firing opening as the amount of remaining nails becomes smaller.

► **Fig.18:** 1. Sight window 2. Indicator

Removing jammed nails

WARNING: Always make sure that the trigger is released, and the battery cartridge and nails are removed before removing jammed nails.

CAUTION: Do not remove the jammed nails with bare hands. The nail may jump out of the magazine and cause an injury.

Remove hex bolts on the driver guide cover using the hex wrench. Take the jammed nails from the nail guide groove with a slotted screwdriver.

Secure the driver guide cover with hex bolts.

► **Fig.19:** 1. Driver guide cover 2. Hex bolt

NOTE: After securing the driver guide cover, always make sure that the driver guide cover actuates properly. If it does not actuate properly, remove hex bolts and install the driver guide cover again.

MAINTENANCE

⚠CAUTION: Always be sure that the tool is switched off and the battery cartridge is removed before attempting to perform inspection or maintenance.

NOTICE: Never use gasoline, benzine, thinner, alcohol or the like. Discoloration, deformation or cracks may result.

To maintain product SAFETY and RELIABILITY, repairs, any other maintenance or adjustment should be performed by Makita Authorized or Factory Service Centers, always using Makita replacement parts.

OPTIONAL ACCESSORIES

⚠CAUTION: These accessories or attachments are recommended for use with your Makita tool specified in this manual. The use of any other accessories or attachments might present a risk of injury to persons. Only use accessory or attachment for its stated purpose.

If you need any assistance for more details regarding these accessories, ask your local Makita Service Center.

- Nails
- Makita genuine battery and charger
- Safety goggles

NOTE: Some items in the list may be included in the tool package as standard accessories. They may differ from country to country.

DANE TECHNICZNE

Model:	DFN350
Rozmiar gwoździa	18Ga x 15, 20, 25, 30, 35 mm
Pojemność magazynka na gwoździe	100 szt.
Wymiary dla BL1860B, bez zaczepu (dług. x szer. x wys.)	257 mm x 79 mm x 228 mm
Napięcie znamionowe	Napięcie stałe 18 V
Ciężar netto	2,4 kg

- W związku ze stale prowadzonym przez naszą firmę programem badawczo-rozwojowym niniejsze dane mogą ulec zmianom bez wcześniejszego powiadomienia.
- W innych krajach urządzenie może mieć odmienne parametry techniczne i może być wyposażone w inny akumulator.
- Masa może być różna w zależności od osprzętu, w tym akumulatora. W tabeli przedstawiona jest najlżejsza i najcięższa konfiguracja, zgodnie z procedurą EPTA 01/2014.

Kompatybilne akumulatory

BL1815 / BL1815N / BL1820 / BL1820B / BL1830 / BL1830B / BL1840 / BL1840B / BL1850 / BL1850B / BL1860B

- Pewne z wymienionych powyżej akumulatorów mogą być niedostępne w regionie zamieszkania użytkownika.

⚠ OSTRZEŻENIE: Należy używać wyłącznie akumulatorów wymienionych powyżej. Używanie innych akumulatorów może stwarzać ryzyko wystąpienia obrażeń ciała lub pożaru.

Przeznaczenie

To narzędzie jest przeznaczone do mocowania miękkiego drewna.

Hałas

Typowy równoważny poziom dźwięku A określony w oparciu o normę EN60745-2-16:

Poziom ciśnienia akustycznego (L_{pA}): 81 dB(A)

Poziom mocy akustycznej (L_{WA}): 92 dB (A)

Niepewność (K): 3 dB(A)

WSKAZÓWKA: Deklarowana wartość emisji hałasu została zmierzona zgodnie z standardową metodą testową i można ją wykorzystać do porównywania narzędzi.

WSKAZÓWKA: Deklarowaną wartość emisji hałasu można także wykorzystać we wstępnej ocenie narażenia.

⚠ OSTRZEŻENIE: Nosić ochronniki słuchu.

⚠ OSTRZEŻENIE: Poziom hałas wytwarzanego podczas rzeczywistego użytkowania elektronarzędzia może się różnić od wartości deklarowanej w zależności od sposobu użytkowania narzędzia, a w szczególności od rodzaju obrabianego elementu.

⚠ OSTRZEŻENIE: W oparciu o szacowane narażenie w rzeczywistych warunkach użytkowania należy określić środki bezpieczeństwa w celu zapewnienia ochrony operatora (uwzględniając wszystkie elementy cyklu działania, tj. czas, kiedy narzędzie jest wyłączone i kiedy pracuje na biegu jałowym, a także czas, kiedy jest włączone).

Drgania

Całkowita wartość poziomu drgań określona według EN60745-2-16:

Emisja drgań (a_{h1}): 2,5 m/s² lub mniej

Niepewność (K): 1,5 m/s²

WSKAZÓWKA: Deklarowana wartość poziomu drgań została zmierzona zgodnie z standardową metodą testową i można ją wykorzystać do porównywania narzędzi.

WSKAZÓWKA: Deklarowaną wartość poziomu drgań można także wykorzystać we wstępnej ocenie narażenia.

⚠ OSTRZEŻENIE: Drgania wytwarzane podczas rzeczywistego użytkowania elektronarzędzia mogą się różnić od wartości deklarowanej w zależności od sposobu użytkowania narzędzia, a w szczególności od rodzaju obrabianego elementu.

⚠ OSTRZEŻENIE: W oparciu o szacowane narażenie w rzeczywistych warunkach użytkowania należy określić środki bezpieczeństwa w celu zapewnienia ochrony operatora (uwzględniając wszystkie elementy cyklu działania, tj. czas, kiedy narzędzie jest wyłączone i kiedy pracuje na biegu jałowym, a także czas, kiedy jest włączone).

Deklaracja zgodności WE

Dotyczy tylko krajów europejskich

Deklaracja zgodności WE jest dołączona jako załącznik A do niniejszej instrukcji obsługi.

OSTRZEŻENIA DOTYCZĄCE BEZPIECZEŃSTWA

Ogólne zasady bezpiecznej eksploatacji elektronarzędzi

⚠️ OSTRZEŻENIE: Należy zapoznać się z ostrzeżeniami dotyczącymi bezpieczeństwa, instrukcjami, ilustracjami i danymi technicznymi dołączonymi do tego elektronarzędzia. Niezastosowanie się do podanych poniżej instrukcji może prowadzić do porażenia prądem, pożaru i/lub poważnych obrażeń ciała.

Wszystkie ostrzeżenia i instrukcje należy zachować do wykorzystania w przyszłości.

Pojęcie „elektonarzędzie”, występujące w wymienionych tu ostrzeżeniach, odnosi się do elektronarzędzia zasilanego z sieci elektrycznej (z przewodem zasilającym) lub do elektronarzędzia akumulatorowego (bez przewodu zasilającego).

Ostrzeżenia dotyczące bezpiecznej eksploatacji sztyfcarki akumulatorowej

1. Należy zawsze zakładać, że w narzędziu znajdują się elementy złączne. Nieostrożne obchodzenie się ze sztyfcarką może spowodować przypadkowe wystrzelenie zszywki i zranienie.
2. Narzędzia nie wolno kierować na siebie ani innych ludzi. Przekątne uruchomienie spowoduje wystrzelenie elementu złącznego i zranienie.
3. Narzędzie wolno uruchomić tylko, gdy jest mocno przyłożone do materiału. Jeśli narzędzie nie styka się pewnie z materiałem, element złączny może nie trafić w przewidziane miejsce.
4. Gdy element złączny zablokuje się w narzędziu, należy je odłączyć od zasilania. W przeciwnym wypadku, podczas usuwania zablokowanej zszywki, narzędzie może się niespodziewanie uruchomić.
5. Zablokowany element złączny należy usuwać bardzo ostrożnie. W mechanizm może być napięty i spowodować silne wystrzelenie elementu złącznego podczas odblokowywania.
6. Sztyfcarki nie wolno używać do mocowania przewodów elektrycznych. Narzędzie nie jest przeznaczone do instalowania przewodów elektrycznych i może uszkodzić izolację przewodów, co grozi porażeniem prądem lub pożarem.
7. Dłonie i stopy powinny znajdować się poza obszarem otworu wylotowego.
8. Przestrzegać instrukcji smarowania i wymiany akcesoriów.
9. Przed załadowaniem elementów złącznych do narzędzia, przystąpieniem do czynności regulacyjnych, kontrolnych, konserwacyjnych oraz po zakończeniu pracy należy zawsze wyjąć akumulator.

10. Przed rozpoczęciem pracy należy się upewnić, że nikogo nie ma w pobliżu. Nie wolno wbijać elementów złącznych z obydwu stron ściany jednocześnie. Elementy złączne mogą przebić się na wylot i/lub zostać wyrzucone w powietrze, stwarzając poważne niebezpieczeństwo.
11. Podczas pracy z narzędziem należy zadbać o dobre oparcie dla nóg i utrzymywanie równowagi. W przypadku pracy na pewnej wysokości upewnić się, że na dole nie przebywają żadne osoby.
12. W żadnym wypadku nie wolno używać narzędzi do wkręcania elementów złącznych, oznakowanych symbolem „Nie używać na rastrowaniach, drabinach” do specyficznych zastosowań, takich jak na przykład:
 - zastosowania, w przypadku których zmiana miejsca pracy wiąże się z użyciem rusztowań, schodów, drabin lub konstrukcji zbliżonych do drabin, na przykład lat dachowych;
 - zamykanie pudeł lub skrzyń;
 - mocowanie systemów zabezpieczeń transportowych, np. na pojazdach i wagonach.
13. Aby uniknąć porażenia prądem, wycieku gazu, wybuchu i innych wypadków powodowanych wstrzeliwaniem zszywek w przewody pod napięciem lub rury gazowe, należy przed pracą dokładnie sprawdzić ściany, sufity, podłogi, dachy itp.
14. Należy używać wyłącznie elementów złącznych określonych w niniejszej instrukcji. Użycie jakichkolwiek innych elementów złącznych może spowodować nieprawidłową pracę narzędzia.
15. Narzędziem tym nie należy posługiwać się nieodpowiedzialnie ani używać go do innych celów poza wbijaniem elementów złącznych.
16. Nie należy używać narzędzia bez elementów złącznych. Skracca to czas eksploatacji narzędzia.
17. W przypadku wykrycia nieprawidłowego lub nietypowego działania narzędzia należy natychmiast przerwać pracę.
18. Nigdy nie używać elementów złącznych na materiale, który może zostać przez nie przebity i przez który mogą przelecieć jak pocisk.
19. Nigdy nie zwalniać jednocześnie spustu przełącznika i końcówki kontaktowej, do chwili, kiedy jest się gotowym na wbicie zszywki w materiał. Do wciśnięcia końcówki kontaktowej użyć elementu obrabianego. Nie należy uniemożliwiać działania końcówki kontaktowej, np. unieruchamiając ją w położeniu zwolnionym lub naciskając ją ręką.
20. Nie modyfikować końcówki kontaktowej. Często sprawdzać prawidłowe działanie końcówki kontaktowej.
21. Jeżeli narzędzie nie będzie używane, należy zawsze wyjąć z niego zszywki.

ZACHOWAĆ NINIEJSZE INSTRUKCJE.

⚠️ OSTRZEŻENIE: NIE WOLNO pozwolić, aby wygoda lub rutyna (nabyta w wyniku wielokrotnego używania urządzenia) zastąpiły ścisłe przestrzeganie zasad bezpieczeństwa obsługi. NIEWŁAŚCIWE UŻYTKOWANIE narzędzia lub niestosowanie się do zasad bezpieczeństwa podanych w niniejszej instrukcji obsługi może prowadzić do poważnych obrażeń ciała.

Ważne zasady bezpieczeństwa dotyczące akumulatora

1. Przed użyciem akumulatora zapoznać się ze wszystkimi instrukcjami i znakami ostrzegawczymi na (1) ładowarce, (2) akumulatorze i (3) produkcie, w którym będzie używany akumulator.
2. Akumulatora nie wolno rozbierać.
3. Jeśli czas działania uległ znacznemu skróceniu, należy natychmiast przerwać pracę. Może bowiem dojść do przegrzania, ewentualnych poparzeń, a nawet eksplozji.
4. W przypadku przedostania się elektrolitu do oczu, przemyć je czystą wodą i niezwłocznie uzyskać pomoc lekarską. Może on bowiem spowodować utratę wzroku.
5. Nie doprowadzać do zwarcia akumulatora:
 - (1) Nie dotykać styków materiałami przewodzącymi prąd.
 - (2) Unikać przechowywania akumulatora w pojemniku z metalowymi przedmiotami, takimi jak gwoździe, monety itp.
 - (3) Chronić akumulator przed deszczem lub wodą. Zwarcie prowadzi do przepływu prądu elektrycznego o dużym natężeniu i przegrzania akumulatora, co w konsekwencji może grozić poparzeniami a nawet awarią urządzenia.
6. Narzędzia i akumulatora nie wolno przechowywać w miejscach, w których temperatura osiąga bądź przekracza 50°C (122°F).
7. Akumulatorów nie wolno spalać, również tych poważnie uszkodzonych lub całkowicie zużytych. Akumulator może eksplodować w ogniu.
8. Chronić akumulator przed upadkiem i uderzeniami.
9. Nie wolno używać uszkodzonego akumulatora.
10. Stanowiące wyposażenie akumulatory litowo-jonowe podlegają przepisom dotyczącym produktów niebezpiecznych.

Na potrzeby transportu komercyjnego, np. świadczony przez firmy trzecie czy spedycyjne, należy przestrzegać specjalnych wymagań w zakresie pakowania i oznaczania etykietami. Przygotowanie produktu do wysyłki wymaga skonsultowania się ze specjalistą ds. materiałów niebezpiecznych. Należy także przestrzegać przepisów krajowych, które mogą być bardziej szczegółowe. Zakleić taśmą lub zaślepić otwarte styki akumulatora oraz zabezpieczyć go, aby nie mógł się przesuwać w opakowaniu.
11. Postępować zgodnie z przepisami lokalnymi dotyczącymi usuwania akumulatorów.
12. Używać akumulatorów tylko z produktami określonymi przez firmę Makita. Zastosowanie akumulatorów w niezgodnych produktach może spowodować pożar, przegrzanie, wybuch lub wyciek elektrolitu.

ZACHOWAĆ NINIEJSZE INSTRUKCJE.

⚠ PRZESTROGA: Używać wyłącznie oryginalnych akumulatorów firmy Makita. Używanie nieoryginalnych akumulatorów firm innych niż Makita lub akumulatorów, które zostały zmodyfikowane, może spowodować wybuch akumulatora i pożar, obrażenia ciała oraz zniszczenie mienia. Stanowi to również naruszenie warunków gwarancji firmy Makita dotyczących narzędzia i ładowarki.

Wskazówki dotyczące zachowania maksymalnej trwałości akumulatora

1. Akumulator należy naładować zanim zostanie do końca rozładowany. Po zauważeniu spadek mocy narzędzia należy przerwać pracę i naładować akumulator.
2. Nie wolno ładować powtórnie w pełni naładowanego akumulatora. Przeładowanie akumulatora skraca jego trwałość.
3. Akumulator należy ładować w temperaturze pokojowej w przedziale 10–40°C (50–104°F). W przypadku gorącego akumulatora przed przystąpieniem do ładowania należy poczekać, aż ostygnie.
4. Akumulatory niklowo-wodorkowe należy naładować po okresie długiego nieużytkowania (dłuższego niż sześć miesięcy).

OPIS DZIAŁANIA

⚠ PRZESTROGA: Przed przystąpieniem do regulacji lub przeglądu narzędzia upewnić się, że jest ono wyłączone, a akumulator został wyjęty.

Wkładanie i wyjmowanie akumulatora

⚠ PRZESTROGA: Przed włożeniem lub wyjęciem akumulatora należy zawsze wyłączyć narzędzie.

⚠ PRZESTROGA: Podczas wkładania lub wyjmowania akumulatora należy mocno trzymać narzędzie i akumulator. W przeciwnym razie mogą się one wyslizgnąć z rąk, powodując uszkodzenie narzędzia lub akumulatora i obrażenia ciała.

- **Rys.1:** 1. Czerwony wskaźnik 2. Przycisk 3. Akumulator

Aby wyjąć akumulator, przesunąć przycisk znajdujący się w przedniej jego części i wysunąć akumulator.

Aby włożyć akumulator, wyrównaj występ na akumulatorze z rowkiem w obudowie i wsuń go na swoje miejsce. Akumulator należy wsunąć do oporu, aż się zatrzaśnie na miejscu, co jest sygnalizowane delikatnym kliknięciem. Jeśli w górnej części przycisku jest widoczny czerwony wskaźnik, akumulator nie został całkowicie zatrzaśnięty.

⚠ PRZESTROGA: Akumulator należy włożyć do końca, tak aby czerwony wskaźnik nie był widoczny. W przeciwnym razie może przypadkowo wypaść z narzędzia, powodując obrażenia operatora lub osób postronnych.

⚠ PRZESTROGA: Nie wkładać akumulatora na siłę. Jeśli akumulator nie daje się swobodnie wsunąć, oznacza to, że został włożony nieprawidłowo.

Układ zabezpieczenia narzędzia/akumulatora

Narzędzie jest wyposażone w układ zabezpieczenia narzędzia/akumulatora. Układ automatycznie odcina zasilanie silnika w celu wydłużenia trwałości narzędzia i akumulatora. Narzędzie zostanie automatycznie zatrzymane podczas pracy w następujących sytuacjach związanych z narzędziem lub akumulatorem:

Zabezpieczenie przed przeciążeniem

W przypadku obsługi narzędzia/akumulatora w sposób powodujący nadmiernie wysoki pobór prądu narzędzie zostanie automatycznie zatrzymane bez ostrzeżenia. W takiej sytuacji należy wyłączyć narzędzie i zaprzestać wykonywania czynności powodującej przeciążenie narzędzia. Następnie należy wyłączyć narzędzie w celu jego ponownego uruchomienia.

Zabezpieczenie przed przegrzaniem

W przypadku przegrzania narzędzia/akumulatora narzędzie wyłączy się automatycznie. W takiej sytuacji należy odczekać, aż narzędzie/akumulator ostygnie przed ponownym włączeniem narzędzia.

Zabezpieczenie przed nadmiernym rozładowaniem

Gdy stan naładowania akumulatora stanie się zbyt niski, narzędzie zostanie automatycznie zatrzymane. W takiej sytuacji należy wyjąć akumulator z narzędzia i naładować go.

Wskazanie stanu naładowania akumulatora

Tylko w przypadku akumulatorów ze wskaźnikiem

► **Rys.2:** 1. Lampki wskaźnika 2. Przycisk kontrolny

Nacisnąć przycisk kontrolny na akumulatorze w celu wyświetlenia stanu naładowania akumulatora. Lampki wskaźnika zaświecą się przez kilka sekund.

Lampki wskaźnika			Pozostała energia akumulatora
Świeci się	Wyłączony	Miga	
■ ■ ■ ■	□ □ □ □	▬	75–100%
■ ■ ■ □	□ □ □ □	▬	50–75%
■ ■ □ □	□ □ □ □	▬	25–50%
■ □ □ □	□ □ □ □	▬	0–25%
▬ □ □ □	□ □ □ □	▬	Naładować akumulator.
■ ■ □ □	□ □ □ □	▬	Akumulator może nie działać poprawnie.
□ □ ■ ■	□ □ □ □	▬	

WSKAZÓWKA: Zależnie od warunków użytkowania i temperatury otoczenia, wskazywany poziom może nieznacznie się różnić od rzeczywistego stanu naładowania akumulatora.

Przycisk blokady spustu

▲PRZESTROGA: Przed włożeniem akumulatora do narzędzia należy zawsze sprawdzić, czy spust przełącznika działa prawidłowo i czy powraca do położenia wyłączenia po jego zwolnieniu.

▲PRZESTROGA: Jeżeli narzędzie nie będzie używane, należy wcisnąć przycisk blokady spustu od strony B, aby zablokować spust przełącznika w pozycji wyłączenia.

► **Rys.3:** 1. Przycisk blokady spustu 2. Spust przełącznika

► **Rys.4**

Narzędzie zostało wyposażone w przycisk blokady spustu, który zapobiega przypadkowemu pociągnięciu za spust przełącznika.

Aby pociągnąć za spust przełącznika, należy wcisnąć przycisk blokady spustu od strony A.

Po pracy należy zawsze wcisnąć przycisk blokady spustu od strony B.

Regulowanie głębokości wbijania gwoździ

▲OSTRZEŻENIE: Przed ładowaniem zszywek należy zawsze pamiętać, aby nie trzymać palców na spuście przełącznika, ani na końcówce kontaktowej oraz aby wyjąć akumulator przed regulacją głębokości wstrzeliwania zszywek.

W tym narzędziu można regulować głębokość wbijania gwoździ. Głębokość wbijania gwoździ ustawia się za pomocą regulatora. Głębokość wbijania jest największa po obróceniu regulatora maksymalnie w kierunku A, jak pokazano na rysunku. Zmniejszenie głębokości następuje przez przekręcenie regulatora w kierunku B. Głębokość może być ustawiona na maksymalnie 2,5 mm.

► **Rys.5:** 1. Regulator

► **Rys.6:** 1. Zbyt głęboko 2. Równo z powierzchnią 3. Zbyt płytko

Włączanie lampki

▲PRZESTROGA: Nie patrzeć na światło ani bezpośrednio na źródło światła.

Aby włączyć lampkę, pociągnąć spust przełącznika lub poruszyć końcówką kontaktową. Lampka świeci, dopóki spust przełącznika lub końcówka kontaktowa są naciśnięte. Lampka oświetlenia wyłącza się po około 10 s od zwolnienia spustu przełącznika i końcówki kontaktowej.

► **Rys.7:** 1. Lampka

WSKAZÓWKA: Aby usunąć zabrudzenia z klosza lampki, należy użyć suchej szmatki. Uważać, aby nie zarysować klosza lampki, gdyż może to zmniejszyć natężenie oświetlenia.

WSKAZÓWKA: Nawet kiedy przy słabo naładowanym akumulatorze lampka się świeci, gwoździarka może nie wstrzeliwać gwoździ. W takiej sytuacji należy naładować akumulator.

WSKAZÓWKA: Lampka zacznie migać, jeśli gwoździarka wykryje błąd podczas wbijania gwoźdźdza. W takiej sytuacji należy przekazać gwoździarkę do fabrycznego punktu serwisowego.

MONTAŻ

▲PRZESTROGA: Przed przystąpieniem do wykonywania jakichkolwiek czynności przy narzędziu należy zawsze pamiętać, aby nie trzymać palców na spuście przełącznika ani na końcówce kontaktowej oraz aby wyjąć akumulator.

Wkładanie lub wyjmowanie gwoździ

▲PRZESTROGA: Przed przystąpieniem do ładowania gwoździ należy zawsze pamiętać, aby nie trzymać palców na spuście oraz aby wyjąć akumulator.

▲PRZESTROGA: Nie należy gwałtownie przesuwac osłony przesuwanej gwoździarki z załadowanymi gwoździami. Przypadkowe upuszczenie gwoździ, szczególnie podczas pracy na wysokości, może spowodować obrażenia ciała.

▲PRZESTROGA: Gwoździe należy wkładać we właściwym kierunku. Włożenie gwoździ w kierunku odwrotnym może spowodować przedczesne zużycie się młotka oraz innych części narzędzia.

▲PRZESTROGA: Nigdy nie używać odkształconych pasków gwoździ. Należy używać wyłącznie gwoździ wskazanych w tej instrukcji. Używanie innych gwoździ może powodować blokowanie się ich w gwoździarce, a nawet jej uszkodzenie.

1. Nacisnąć dźwignię blokady i otworzyć przesuwaną osłonę magazynka.

► **Rys.8:** 1. Dźwignia blokady 2. Przesuwana osłona 3. Prowadnica młotka 4. Magazynek

2. Ustawić pasek gwoździ, tak aby końcówki gwoździ dotykały dolnej części magazynka i przesunąć pasek gwoździ w kierunku otworu wstrzeliwania.

► **Rys.9:** 1. Gwoździe 2. Przesuwana osłona 3. Prowadnica młotka

3. Umieścić osłonę przesuwaną w pierwotnym położeniu, aż do zamknięcia dźwigni blokady.

Aby wyjąć gwoździe, należy nacisnąć dźwignię blokady i przesunąć osłonę przesuwaną. Wyjąć gwoździe z magazynka.

Adapter noska

▲PRZESTROGA: Przed przystąpieniem do montowania adaptera noska należy zawsze pamiętać, aby nie trzymać palców na spuście przełącznika, ani na końcówce kontaktowej oraz aby wyjąć akumulator przed regulacją głębokości wstrzeliwania zszywek.

Adapter noska należy stosować do wbijania gwoździ w materiał, którego powierzchnię łatwo uszkodzić. Aby zamocować adapter noska, należy umieścić go na końcu osłony prowadnicy młotka.

Aby zabezpieczyć adapter noska przed zgubieniem, należy przechowywać w uchwycie na tylnym końcu magazynku.

► **Rys.10:** 1. Adapter noska 2. Uchwyt przewodu

Zaczep

▲PRZESTROGA: Nie wolno zawieszac zaczepu na pasku spodni. Upuszczenie gwoździarki, spowodowane przypadkowym odzpieniem się zaczepu z mocowania, może doprowadzić do przypadkowego wystrzelenia gwoździa i obrażeń ciała.

► **Rys.11**

Zaczep służy do wygodnego, tymczasowego zawieszania narzędzia. Można go zamontować z jednej lub z drugiej strony narzędzia.

Aby zamontować zaczep, należy wsunąć go w rowek w obudowie narzędzia znajdujący się z obu stron, a następnie przykręcić go wkrętem. Aby wymontować zaczep, należy odkręcić wkręt i wyjąć zaczep.

► **Rys.12:** 1. Rowek 2. Zaczep 3. Śruba

Miejsce na klucz imbusowy

Klucz imbusowy, gdy nie jest używany, należy przechowywać w sposób pokazany na rysunku, aby się nie zgubił.

► **Rys.13:** 1. Klucz imbusowy

OBSŁUGA

Sprawdzanie systemów bezpieczeństwa

▲OSTRZEŻENIE: Przed przystąpieniem do pracy należy sprawdzić działanie wszystkich układów bezpieczeństwa. Niezastosowanie się do tej zasady może spowodować obrażenia ciała.

► **Rys.14:** 1. Przycisk blokady spustu 2. Spust przełącznika 3. Końcówka kontaktowa 4. Magazynek

Przed przystąpieniem do pracy należy sprawdzić, czy układy bezpieczeństwa działają prawidłowo.

1. Wyjąć gwoździe z narzędzia i pozostawić magazynek otwarty.

2. Zainstalować akumulator i zwolnić blokadę spustu.

3. Pociągnąć za spust przełącznika bez przykładania końcówki kontaktowej do materiału.

4. Przyłożyć końcówkę kontaktową do materiału bez pociągania za spust przełącznika.

Jeśli narzędzie zadziała w przypadkach 3 i 4 opisanych powyżej, układy bezpieczeństwa nie działają prawidłowo. Zaprzestać niezwłocznie użytkowania narzędzia i skontaktować się z lokalnym punktem centrum serwisowym.

Wbijanie gwoździ

⚠️ OSTRZEŻENIE: Przez cały czas dociskać końcówkę kontaktową mocno do materiału, aż do całkowitego wbicia gwoździa. Przypadkowe wystrzelenie może spowodować obrażenia ciała.

1. Zwolnić blokadę spustu.
 2. Przyłożyć końcówkę kontaktową równo do materiału.
 3. Pociągnąć za spust przełącznika, aby wbić gwoździ.
 4. Aby wstrzelić kolejny gwoździ, zdjąć palec ze spustu przełącznika, a następnie powtórzyć kroki 2 i 3 opisane powyżej.
- **Rys.15:** 1. Spust przełącznika 2. Kończówka kontaktowa

Wstrzelenie kolejnego gwoździa jest także możliwe poprzez przeciągnięcie narzędzia do kolejnego miejsca z docisniętą do materiału końcówką kontaktową i pociągnięciem spustu przełącznika.

► **Rys.16**

Jeśli główka wbijanego gwoździa wystaje ponad powierzchnię materiału, należy zwrócić uwagę, aby wbić gwoździ, dociskając mocno głowicę gwoździarki do materiału.

► **Rys.17**

WSKAZÓWKA: Jeśli główka wbijanego gwoździa nadal wystaje ponad powierzchnię materiału, pomimo mocnego dociskania głowicy gwoździarki, materiał może być nieodpowiedni dla gwoździarki. Dalsze używanie gwoździarki z takim materiałem może spowodować uszkodzenie młotka gwoździarki i/lub zablokowanie gwoździarki.

Mechanizm zabezpieczający przed pustym wystrzałem

⚠️ OSTRZEŻENIE: Przed przystąpieniem do ładowania gwoździ należy zawsze pamiętać, aby nie trzymać palców na spuście przełącznika ani na końcówce kontaktowej oraz aby wyjąć akumulator.

Kiedy w magazynku nie ma już pasków gwoździ, spust przełącznika nie zadziała. Należy wtedy włożyć nowy pasek gwoździ do magazynka. Przywróci to normalne działanie spustu przełącznika.

Sprawdzenie liczby pozostałych gwoździ

Liczbę pozostałych gwoździ można sprawdzić przez okienko wskaźnika.

Zmniejszanie się liczby pozostałych gwoździ sprawia, że czerwony wskaźnik przemieszcza się w stronę otworu wstrzeliwania.

► **Rys.18:** 1. Okienko wskaźnika 2. Wskaźnik

Usuwanie zablokowanych gwoździ

⚠️ OSTRZEŻENIE: Przed usunięciem zablokowanych gwoździ zawsze należy upewnić się, że spust jest zwolniony, a akumulator i gwoździe zostały wyjęte.

⚠️ PRZESTROGA: Nie usuwać zablokowanych gwoździ gołymi rękoma. Gwoździ może wyskoczyć z magazynka, powodując obrażenia.

Przy użyciu klucza imbusowego wykręć śruby imbusowe z osłony prowadnicy młotka. Za pomocą płaskiego wkrętaka wyjąć z rowka prowadnicy zablokowane gwoździe.

Przykręcić osłonę prowadnicy młotka śrubami imbusowymi.

► **Rys.19:** 1. Osłona prowadnicy młotka 2. Śruba imbusowa

WSKAZÓWKA: Po zamocowaniu osłony prowadnicy młotka zawsze należy się upewnić, że osłona działa prawidłowo. W przeciwnym razie wykręcić śruby imbusowe i zamocować osłonę prowadnicy młotka ponownie.

KONSERWACJA

⚠️ PRZESTROGA: Przed przystąpieniem do przeglądu narzędzia lub jego konserwacji upewnić się, że jest ono wyłączone, a akumulator wyjęty.

UWAGA: Nie stosować benzyny, rozpuszczalników, alkoholu itp. środków. Mogą one powodować obrażenia, odkształcenia lub powłoki.

W celu zachowania odpowiedniego poziomu BEZPIECZEŃSTWA i NIEZAWODNOŚCI produktu wszelkie naprawy i różnego rodzaju prace konserwacyjne lub regulacje powinny być przeprowadzane przez autoryzowany lub fabryczny punkt serwisowy narzędzi Makita, zawsze z użyciem oryginalnych części zamiennych Makita.

AKCESORIA OPCJONALNE

⚠️ PRZESTROGA: Zaleca się stosowanie wymienionych akcesoriów i przystawek razem z narzędziem Makita opisanym w niniejszej instrukcji. Stosowanie innych akcesoriów lub przystawek może być przyczyną obrażeń ciała. Akcesoria lub przystawki należy wykorzystywać tylko zgodnie z ich przeznaczeniem.

W razie potrzeby wszelkiej pomocy i szczegółowych informacji na temat niniejszych akcesoriów udzieli Państwu lokalne punkty serwisowe Makita.

- Gwoździe
- Oryginalny akumulator i ładowarka firmy Makita
- Gogle ochronne

WSKAZÓWKA: Niektóre pozycje znajdujące się na liście mogą być dołączone do pakietu narzędziowego jako akcesoria standardowe. Mogą to być różne pozycje, w zależności od kraju.

RÉSZLETES LEÍRÁS

Típus:	DFN350
Szögméret	18Ga x 15, 20, 25, 30, 35 mm
Szögtár kapacitása	100 pcs
Méretek BL1860B-vel, akasztó nélkül (H x SZ x M)	257 mm x 79 mm x 228 mm
Névleges feszültség	18 V, egyenáram
Tiszta tömeg	2,4 kg

- Folyamatos kutató- és fejlesztőprogramunk eredményeként az itt felsorolt tulajdonságok figyelmeztetés nélkül megváltozhatnak.
- A műszaki adatok és az akkumulátor országokként változhatnak.
- A súly a felszerelt tartozékoktól függően változhat, az akkumulátort is beleértve. Az EPTA 01/2014 eljárás szerint meghatározott legnehezebb, illetve legkönnyebb kombináció a táblázatban látható.

Alkalmazható akkumulátorok

BL1815 / BL1815N / BL1820 / BL1820B / BL1830 / BL1830B / BL1840 / BL1840B / BL1850 / BL1850B / BL1860B

- Lakóhelyétől függően előfordulhat, hogy a fent felsorolt akkumulátorok nem érhetőek el.

▲ FIGYELMEZTETÉS: Csak a fentiekben felsorolt akkumulátorokat használja. Bármilyen más akkumulátor használata sérüléseket és/vagy tüzet okozhat.

Rendeltetés

A szerszám puhafa rögzítésére szolgál.

Zaj

A tipikus A-súlyozású zajszint, a EN60745-2-16 szerint meghatározva:

Hangnyomásszint (L_{pA}): 81 dB(A)

Hangteljesítményszint (L_{WA}): 92 dB (A)

Bizonytalanság (K): 3 dB(A)

MEGJEGYZÉS: A zajkibocsátás értéke a szabványos vizsgálati eljárásnak megfelelően lett mérve, és segítségével az elektromos kéziszerszámok összehasonlíthatók egymással.

MEGJEGYZÉS: A zajkibocsátás értékének segítségével előzetesen megbecsülhető a rezgésnek való kitettség mértéke.

▲ FIGYELMEZTETÉS: Viseljen fülvédőt!

▲ FIGYELMEZTETÉS: A szerszám zajkibocsátása egy adott alkalmazásnál eltérhet a megadott értéktől a használat módjától, különösen a feldolgozott munkadarab fajtájától függően.

▲ FIGYELMEZTETÉS: Határozza meg a kezelő védelmét szolgáló munkavédelmi lépéseket, melyek az adott munkafeltételek melletti vibrációs hatás becsült mértékén alapulnak (figyelembe véve a munkaciklus elemeit, mint például a gép leállításának és üresjáratának mennyiségét az elindítások száma mellett).

Vibráció

A vibráció EN60745-2-16 szerint meghatározott összértéke:

Rezgés kibocsátás (a_n): 2,5 m/s² vagy kisebb

Bizonytalanság (K): 1,5 m/s²

MEGJEGYZÉS: A rezgés teljes értéke a szabványos vizsgálati eljárásnak megfelelően lett mérve, és segítségével az elektromos kéziszerszámok összehasonlíthatók egymással.

MEGJEGYZÉS: A rezgés teljes értékének segítségével előzetesen megbecsülhető a rezgésnek való kitettség mértéke.

▲ FIGYELMEZTETÉS: A szerszám rezgés kibocsátása egy adott alkalmazásnál eltérhet a megadott értéktől a használat módjától, különösen a feldolgozott munkadarab fajtájától függően.

▲ FIGYELMEZTETÉS: Határozza meg a kezelő védelmét szolgáló munkavédelmi lépéseket, melyek az adott munkafeltételek melletti vibrációs hatás becsült mértékén alapulnak (figyelembe véve a munkaciklus elemeit, mint például a gép leállításának és üresjáratának mennyiségét az elindítások száma mellett).

EK Megfelelőségi nyilatkozat

Csak európai országokra vonatkozóan

Az EK-megfelelőségi nyilatkozat az útmutató „A” mellékletében található.

BIZTONSÁGI FIGYELMEZTETÉS

A szerszámgépekre vonatkozó általános biztonsági figyelmeztetések

▲ FIGYELMEZTETÉS: Olvassa el a szerszámgéphez mellékelte összes biztonsági figyelmeztetést, utasítást, illusztrációt és a műszaki adatokat. A következőkben leírt utasítások figyelmen kívül hagyása elektromos áramütést, tüzet és/vagy súlyos sérülést eredményezhet.

Őrizzen meg minden figyelmeztetést és utasítást a későbbi tájékozódás érdekében.

A figyelmeztetésekből szereplő "szerszámgép" kifejezés az Ön hálózatról (vezetékes) vagy akkumulátorról (vezeték nélküli) működtetett szerszámgépre vonatkozik.

Az akkumulátoros szögbelövőre vonatkozó biztonsági figyelmeztetések

1. **Mindig ellenőrizze, hogy a szerszám nem tartalmaz-e kötélemeket.** A szögbelövő gondatlan kezelése a kötélemek váratlan kilövéséhez, és személyi sérüléshez vezethet.
2. **Ne tartsa a szerszámot maga, vagy az Ön közelében lévő más személyek felé.** A váratlan kioldás a kilőtt kötélemmel sérülést okozhat.
3. **Addig ne indítsa be a gépet, amíg nem tartja stabilan a munkadarabon.** Amennyiben a gép és a munkadarab nem érintkezik, előfordulhat, hogy a kötélem lepattan a munkadarabról.
4. **Ha a kötélem a gépbe szorult, csatlakoztassa le a gépet az áramforrásról.** Ha áramforráshoz csatlakoztatott szögbelövőből próbálja meg eltávolítani a beszorult kötélemet, előfordulhat, hogy a szögbelövő véletlenül működésbe lép.
5. **A beszorult kötélem eltávolításakor megfelelő elővigyázatossággal járjon el.** A mechanizmus összenyomott állapotban lehet, így a beszorult kötélem eltávolítása közben nagy erővel löheti ki a kötélemet.
6. **Ne használja a szögbelövőt elektromos vezetékek rögzítésére.** A gép nem alkalmas elektromos vezetékek felszerelésére, mert megrongálhatja a vezetékek szigetelését, ami áramütéssel vagy tüzesettel járhat.
7. **Tartsa távol kezeit és lábait a kivezetőnyílástól.**
8. **A szerszám kenések vagy tartozékcseré alatt kövesse az utasításokat.**
9. **Mindig távolítsa el az akkumulátort a kötélem betöltése, valamint a szerszám beállítás, ellenőrzése és karbantartása előtt, illetve a használat befejezésekor is.**
10. **A használat megkezdése előtt győződjön meg arról, hogy senki sem tartózkodik a munkaterületen. Soha ne próbálja a kötélemeket egyszerre a munkadarab mindkét oldaláról belőni.** A kötélemek átszakíthatják a munkadarabot, esetleg kirepülhetnek, komoly veszélyt okozva.

11. **Ha a szerszám a kezében van, ügyeljen a stabil testtartásra és egyensúlya megőrzésére.** Ha magasban dolgozik, győződjön meg arról, hogy senki sem tartózkodik a munkaterület alatt.
12. **Soha ne használja a „Tilos állványzaton vagy létrán használni” felirattal jelölt kötélem-behajtó szerszámokat speciális alkalmazásokra, például az alábbiakra:**
 - amikor a behajtás helyének változtatásához állványokat, lépcsőket, létrákat vagy létrászerű szerkezeteket pl. tetőlétra, használni;
 - dobozok vagy ládák lezárásakor;
 - szállítási biztonsági rendszerek rögzítéséhez, pl. járműveken és kocsikon.
13. **Gondosan ellenőrizze a falakat, mennyezeteket, padlókat, a tetőszerkezetet és a hasonló elemeket, hogy elkerülhesse az áramütést, gázszivárgást, robbanást stb. egy áram alatt lévő vezetékbe, csővezetékbe vagy gázcsőbe lőtt kötélemmel.**
14. **Csak a kézikönyvben megadott kötélemeket használja.** Másfajta kötélemek használata a szerszám hibás működését okozhatja.
15. **Ne végezzen módosításokat a gépen, és ne próbálja a kötélemek belövésén kívül másra használni.**
16. **Ne működtesse a gépet, ha nincsenek betöltve kötélemekkel. Ezzel lerövidíti a gép élettartamát.**
17. **Ha szokatlan jelenséget vagy bármilyen hibát észlel a gép működése során, akkor azonnal hagyja abba a kötélemek belövését.**
18. **Soha ne lőjön kötélemeket olyan anyagokba, amelyeket a kötélemek átlukaszthatnak, és amelyek keresztül lövedékszerűen átrepülhetnek.**
19. **Amíg fel nem készült a munkadarab összekapcsolására, ne hozza egyszerre működésbe a kapcsológombot és az érintkezőelemet.** Hagyja, hogy az érintkezőelemet a munkadarab nyomja le. Soha ne iktassa ki az érintkezőelemet pozíciójának rögzítésével vagy azzal, hogy kézzel benyomja.
20. **Ne végezzen módosításokat az érintkezőelemen. Gyakorta ellenőrizze az érintkezőelem megfelelő működését.**
21. **Ha a szerszám nincs használatban, mindig távolítsa el belőle a kötélemeket.**

ŐRIZZE MEG EZEKET AZ UTASÍTÁSOKAT.

▲ FIGYELMEZTETÉS: NE HAGYJA, hogy (a termék többszöri használatából eredő) kényelem és megszokás váltsa fel a termék biztonsági előírásainak szigorú betartását. A HELYTELEN HASZNÁLAT és a használati útmutatóban szereplő biztonsági előírások megszegése súlyos személyi sérülésekhez vezethet.

Fontos biztonsági utasítások az akkumulátorra vonatkozóan

1. **Az akkumulátor használata előtt tanulmányozza át az akkumulátortöltőn (1), az akkumulátoron (2) és az akkumulátorral működtetett terméken (3) olvasható összes utasítást és figyelmeztető jelzést.**
2. **Ne szerelje szét az akkumulátort.**

3. Ha a működési idő nagyon lerövidült, azonnal hagyja abba a használatot. Ez a túlmelegedés, esetleges égések és akár robbanás veszélyével is járhat.
4. Ha elektrolit kerül a szemébe, mossa ki azt tiszta vízzel és azonnal kérjen orvosi segítséget. Ez a látásának elvesztését okozhatja.
5. Ne zárja rövidre az akkumulátort:
 - (1) Ne érjen az érintkezőkhöz elektromosan vezető anyagokkal.
 - (2) Ne tárolja az akkumulátort más fémtárgyakkal, mint pl. szegekkel, érmékkel, stb. egy helyen.
 - (3) Ne tegye ki az akkumulátort víznek vagy esőnek.

Az akkumulátor rövidzárlata nagy áramerősséget, túlmelegedést, égéseket, sőt akár meghibásodást is okozhat.

6. Ne tárolja a szerszámot vagy az akkumulátort olyan helyen, ahol a hőmérséklet elérheti vagy meghaladhatja az 50 °C-ot (122 °F).
7. Ne égesse el az akkumulátort még akkor sem, ha az komolyan megsérült vagy teljesen elhasználódott. Az akkumulátor a tűzben felrobbanhat.
8. Vigyázzon, ne hagyja leejtse vagy megüsse az akkumulátort.
9. Ne használjon sérült akkumulátort.
10. A készülékben található lítium-ion akkumulátorokra a veszélyes árukkal kapcsolatos előírások vonatkoznak.

A termék pl. harmadik felek, fuvarozó cégek stb. által történő szállítása esetén minden esetben tartsa szem előtt a csomagoláson és a címkén található speciális követelményeket.

A termék szállításra történő felkészítése esetén vegye fel a kapcsolatot egy veszélyes anyagokkal foglalkozó szakemberrel. Kérjük, hogy az esetlegesen szigorúbb nemzeti előírásokat is vegye figyelembe.

Ragassza le a kiálló érintkezőket, illetve oly módon csomagolja be az akkumulátort, hogy az ne tudjon elmozdulni a csomagolásban.

11. **Az akkumulátor ártalmatlanításakor tartsa be a helyi előírásokat.**
12. **Az akkumulátorokat csak a Makita által megjelölt termékekhez használja.** Ha az akkumulátorokat azokkal nem kompatibilis termékekbe helyezi, az tűzhöz, túlmelegedéshez, robbanáshoz vagy elektrolitszivárgáshoz vezethet.

ŐRIZZE MEG EZEKET AZ UTASÍTÁSOKAT.

⚠ VIGYÁZAT: Csak eredeti Makita akkumulátorokat használjon. A nem eredeti Makita akkumulátorok vagy módosított akkumulátorok használata esetén az akkumulátor felrobbanhat, ami tüzet, személyi sérülést és anyagi kárt okozhat. A Makita szerszámszámra és töltőre vonatkozó Makita garanciát is érvénytelenítheti.

Tippek az akkumulátor maximális élettartamának eléréséhez

1. Töltse fel az akkumulátort, mielőtt teljesen lemerülne. Állítsa le a gépet, és töltse fel az akkumulátort, ha a gép erejének csökkenését észleli.
2. Soha ne töltse újra a teljesen feltöltött akkumulátort. A túltöltés csökkenti az akkumulátor élettartamát.
3. Töltse az akkumulátort szobahőmérsékleten, 10 °C - 40 °C (50 °F - 104 °F) között. Töltés előtt hagyja lehűlni a főlforrósodott akkumulátort.
4. Töltse fel az akkumulátort, ha hosszabb ideje (több mint hat hónapja) nem használta azt.

A MŰKÖDÉS LEÍRÁSA

⚠ VIGYÁZAT: Minden esetben ellenőrizze, hogy a szerszám ki van kapcsolva és az akkumulátor eltávolításra került mielőtt beállít vagy ellenőriz valamilyen funkciót a szerszámon.

Az akkumulátor behelyezése és eltávolítása

⚠ VIGYÁZAT: Mindig kapcsolja ki az eszközt, mielőtt behelyezi vagy eltávolítja az akkumulátort.

⚠ VIGYÁZAT: Az akkumulátor behelyezésekor vagy eltávolításakor erősen fogja meg a szerszámot és az akkumulátort. Ha nem fogja erősen a szerszámot és az akkumulátort, azok kicsúszhatnak a kezei közül, ami a szerszám és az akkumulátor károsodásához, de akár személyi sérüléshez is vezethet.

► **Ábra1:** 1. Piros jel 2. Gomb 3. Akkumulátor

Az akkumulátoregység kivételéhez nyomja be az akkumulátoregység elején található gombot, és húzza le a gépről.

Az akkumulátor beszereléséhez illesse az akkumulátor nyelvért a burkolaton található vajatba és csúsztassa a helyére. Egészen addig tolja be, amíg az akkumulátor egy kis kattánással a helyére nem ugrik. Ha látható a piros jel a gomb felső oldalán, akkor a gomb nem kattan be teljesen.

⚠ VIGYÁZAT: Mindig tolja be teljesen az akkumulátort, amíg a piros jel el nem tűnik. Ha ez nem történik meg, akkor az akkumulátor kieshet a szerszámból, és Önnek vagy a környezetében másnak sérülést okozhat.

⚠ VIGYÁZAT: Ne erőltesse az akkumulátort behelyezésre. Ha az akkumulátor nem csúszik be könnyedén, akkor nem megfelelően lett behelyezve.

Szerszám-/akkumulátorvédő rendszer

A gép szerszám-/akkumulátorvédő rendszerrel van felszerelve. A rendszer automatikusan kikapcsolja a motor áramellátását, így megnöveli a szerszám és az akkumulátor élettartamát. A gép használat közben automatikusan leáll, ha a szerszám vagy az akkumulátor a következő állapotok valamelyikébe kerül:

Túlterhelésvédelem

Ha a szerszámot/akkumulátort úgy használják, hogy az rendellenesen nagy áramot vesz fel, akkor a szerszám mindenfajta jelzés nélkül leáll. Ilyenkor kapcsolja ki a gépet, és ne folytassa a túlterhelést okozó műveletet. Az újraindításhoz kapcsolja be a gépet.

Túlmelegedés elleni védelem

Ha a szerszám/akkumulátor túlmelegedett, automatikusan leáll. Ilyenkor hagyja lehűlni a szerszámot/akkumulátort, mielőtt ismét bekapcsolná.

Mélykisütés elleni védelem

Amikor az akkumulátor kapacitása már alacsony, a gép automatikusan leáll. Ebben az esetben távolítsa el az akkumulátort a szerszámból és töltsse fel.

Az akkumulátor töltöttségének jelzése

Csak állapotjelzős akkumulátorok esetén

► **Ábra2:** 1. Jelzőlámpák 2. Check (ellenőrzés) gomb

Nyomja meg az ellenőrzőgombot, hogy az akkumulátortöltöttség-jelző megmutassa a hátralévő akkumulátor-kapacitást. Ekkor a töltöttség-szint-jelző lámpák néhány másodpercre kigyulladnak.

Jelzőlámpák			Töltöttségi szint
Világító lámpa	KI	Villogó lámpa	
■	□	▧	75%-tól 100%-ig
■ ■ ■ ■	□	□	50%-tól 75%-ig
■ ■ □ □	□	□	25%-tól 50%-ig
■ □ □ □	□	□	0%-tól 25%-ig
▧ □ □ □	□	□	Töltsse fel az akkumulátort.
■ ■ □ □	□	□	Lehetséges, hogy az akkumulátor meghibásodott.
□ □ ■ ■	□	□	

MEGJEGYZÉS: Az adott munkafeltételektől és a környezeti hőmérsékletétől függően a jelzett töltöttségi szint némileg eltérhet a tényleges töltöttségi szinttől.

Kapcsolózárgomb

▲ VIGYÁZAT: Mielőtt behelyezi az akkumulátort a szerszámba, mindig ellenőrizze, hogy a kapcsológomb hibátlanul működik és felengedéskor „OFF” állásba áll-e.

▲ VIGYÁZAT: Ha nem működteti a gépet, tolja át a kapcsolózárgombot a B oldalról, hogy a kapcsológomb KI állásba kerüljön.

► **Ábra3:** 1. Kapcsolózárgomb 2. Kapcsológomb

► **Ábra4**

A kapcsológomb véletlen benyomásának elkerülésére egy kapcsolózárgomb szolgál.

A kapcsológomb benyomásához tolja át a kapcsolózárgombot az A oldalról.

Használat után mindig tolja át a kapcsolózárgombot a B oldalról.

A szegezési mélység beállítása

▲ FIGYELMEZTETÉS: A szögbelövés mélységének beállítása előtt engedje el a kapcsológombot és az érintkezőelemet, továbbá távolítsa el az akkumulátort.

A szögbelövő szegezési mélysége állítható. A szegezési mélység beállításához forgassa el a beállítót. A szegezési mélység akkor a legnagyobb, amikor a beállító teljesen az A irányba van csavarva az ábrán látható módon. Ha a beállítót a B irányba forgatják, a mélység kisebb lesz. A mélység 2,5 mm-től a maximális értékig állítható.

► **Ábra5:** 1. Szabályozó

► **Ábra6:** 1. Túl mély 2. Süllyesztett 3. Túl sekély

A lámpa bekapcsolása

▲ VIGYÁZAT: Ne tekintsen a fénybe vagy ne nézze egyenesen a fényforrást.

A lámpa bekapcsolásához nyomja be a kapcsológombot vagy az érintkezőelemet. A lámpa addig világít, amíg a kapcsológombot vagy az érintkezőelemet benyomva tartja. A lámpa a kapcsológomb és az érintkezőelem felengedése után nagyjából 10 másodperccel kialszik.

► **Ábra7:** 1. Lámpa

MEGJEGYZÉS: Száraz ruhadarabbal törölje le a szennyeződést a lámpa lencséről. Ügyeljen arra hogy ne karcolja meg a lámpa lencséjét, ez csökkentheti a megvilágítás erősségét.

MEGJEGYZÉS: Ha a lámpa be is kapcsol alacsony akkumulátor-töltöttség esetén, előfordulhat, hogy a szögbelövő nem lő be szöget. Ebben az esetben töltsse fel az akkumulátort.

MEGJEGYZÉS: A lámpa villogni kezd, ha a szögbelövő hibát észlel a szög belövése során. Ebben az esetben vigye a szögbelövet a gyári szervizközpontba.

ÖSSZESZERELÉS

⚠VIGYÁZAT: Ügyeljen rá, hogy az ujjait ne helyezze a kapcsológombra vagy az érintkezőelemre, és távolítsa el az akkumulátort, mielőtt bármimemű munkát végezne a szögbelővön.

Szögek betöltése és eltávolítása

⚠VIGYÁZAT: Ügyeljen rá, hogy az ujjait ne helyezze a kapcsológombra, és távolítsa el az akkumulátort, mielőtt betölti a szögeket.

⚠VIGYÁZAT: Ne tolja el hirtelen mozdulattal a szögekkel feltöltött szögbelővő tolóajtáját. A szögek lehullása – különösen a magasban végzett munka esetén – személyi sérülést okozhat.

⚠VIGYÁZAT: Helyezze be a szögeket a megfelelő irányba. A helytelen irányba behelyezett szögek a belővő idő előtti elhasználódását és más alkatrészek károsodását okozhatják.

⚠VIGYÁZAT: Ne használjon deformálódott szög-szalagot. Csak a jelen kézikönyvben előírt típusú szögeket használja. Az előírt típustól eltérő szögek használata a szögek beszorulásához és a szögbelővő töréséhez vezethet.

1. Nyomja meg a reteszelőkart, és nyissa fel a tár tolóajtáját.

▶ **Ábra8:** 1. Reteszelőkar 2. Tolóajtó 3. Vezetőelem 4. Tár

2. Állítsa be a szög-szalagot úgy, hogy a szögek vége hozzáérjen a tár aljához, és csúsztassa a szög-szalagot a kilövőnyílás felé.

▶ **Ábra9:** 1. Szögek 2. Tolóajtó 3. Vezetőelem

3. Tolja vissza a tolóajtót az eredeti helyzetbe, amíg a reteszelőkar reteszeli.

A szögek eltávolításához nyomja meg a reteszelőkart, és tolja el a tolóajtót. Vegye ki a szögeket a tárból.

Fejadapter

⚠VIGYÁZAT: Ügyeljen rá, hogy az ujjait ne helyezze a kapcsológombra vagy az érintkezőelemre, és távolítsa el az akkumulátort, mielőtt felszereli a fejadaptert.

Ha a szögbelővővel sérülékeny felületű anyagba lő szögeket, használja a fejadaptert. A fejadapter csatlakoztatásához tegye azt a vezetőelem fedelének a végére. A fejadaptert a tár végénél található tartóban tárolhatja, így az nem vész el.

▶ **Ábra10:** 1. Fejadapter 2. Tartó

Akasztó

⚠VIGYÁZAT: Ne akassza a szerszámot nadrágszíjára. Ha az akasztó véletlenül kijön a helyéből, leejtheti a szögbelővőt, ami akaratlan bekapcsolódással és ennek következtében személyi sérüléssel járhat.

▶ Ábra11

Az akasztó a gép ideiglenes felakasztására szolgál. Felszerelhető a gép mindkét oldalára.

Az akasztó felszereléséhez helyezze azt a gép burkolatának két oldalán található horonyok valamelyikébe, majd rögzítse egy csavarral. A leszereléshez csavarja ki a csavart és vegye le az akasztót.

▶ **Ábra12:** 1. Horony 2. Akasztó 3. Csavar

Az imbuszkulcs tárolása

Amikor nem használja, tárolja az imbuszkulcsot az ábrán látható módon, nehogy elveszzen.

▶ **Ábra13:** 1. Imbuszkulcs

MŰKÖDTETÉS

A biztonsági rendszer ellenőrzése

⚠FIGYELMEZTETÉS: Használat előtt ellenőrizze, hogy minden biztonsági rendszer működőképes állapotban van-e. Ennek elmulasztása személyi sérüléseket okozhat.

▶ **Ábra14:** 1. Kapcsolózárgomb 2. Kapcsológomb 3. Érintkezőelem 4. Tár

Mielőtt hozzálátna a munkavégzéshez, ellenőrizze a biztonsági rendszer megfelelő állapotát az alábbiak szerint.

1. Távolítsa el a szögeket a gépből, és tartsa nyitva a tárat.

2. Szerelje fel az akkumulátort, majd engedje fel a kapcsolózárát.

3. Nyomja be a kapcsológombot az érintkezőelem benyomása nélkül.

4. Nyomja be az érintkezőelemet a kapcsológomb benyomása nélkül.

Ha a gép működőképesnek bizonyul a fenti 3-as vagy 4-es esetben, a biztonsági rendszer meghibásodott. Azonnal fejezze be a szerszám használatát, és forduljon a helyi szakszervizhez.

Szögek belövése

⚠FIGYELMEZTETÉS: Tartsa az érintkezőelemet stabilan az anyagon, amíg a szerszám teljesen be nem lövi a szöget. Az akaratlan lövések személyi sérülést okozhatnak.

1. Engedje fel a kapcsolózárát.

2. Illesse az érintkezőelemet a munkadarabra.

3. A szög belövéséhez teljesen húzza be a kapcsológombot.

4. A következő szög belövéséhez engedje el ujjával a kapcsológombot, majd ismételje meg a fenti 2. és 3. lépést.

▶ **Ábra15:** 1. Kapcsológomb 2. Érintkezőelem

Úgy is belőheti a szögeket, hogy a következő munkaterületre húzza a gépet, miközben az érintkezőelemet az anyaghoz nyomva tartja, majd meghúzza a kapcsológombot.

► **Ábra16**

Ha belövés után a szög feje kiáll a munkadarabból, tartsa erősen a munkadarabra a szögbelövő fejét, és nyomja be vele a kiálló szöveget.

► **Ábra17**

MEGJEGYZÉS: Ha a szög továbbra is kiáll a munkadarabból, az anyag nem biztos, hogy megfelelő a szögbelövővel való használathoz. Ha ilyen anyagokon használja a szögbelövet, károsodhat a behajtóelem, valamint elakadhatnak a szerszámban a szögek.

Üres lövést meggátoló mechanizmus

FIGYELMEZTETÉS: Ügyeljen rá, hogy az ujjait ne helyezze a kapcsológombra vagy az érintkezőelemre, és távolítsa el az akkumulátort, mielőtt feltölti a szögbelövet.

Ha a tárban nem maradtak szögek, a kapcsológomb nem működtethető. Ilyenkor helyezzen a táriba egy új szögszalagot. A kapcsológomb újra használhatóvá válik.

A megmaradt szögek számának ellenőrzése

A betekintőn keresztül ellenőrizheti a megmaradt szögek számát.

A piros jel a kilövőnyílás felé halad, ahogy a megmaradt szögek száma csökken.

► **Ábra18:** 1. Betekintő 2. Jel

Beszorult szögek eltávolítása

FIGYELMEZTETÉS: Ügyeljen rá, hogy a kapcsológomb ne legyen benyomva, és az akkumulátor és a szögek el legyenek távolítva a beszorult szögek eltávolítása előtt.

VIGYÁZAT: Ne távolítsa el a beszorult szögeket szabad kézzel. A szög kipattanhat a tárból, és sérülést okozhat.

Egy imbuszkulccsal távolítsa el a vezetőelem fedelén lévő imbuszcavarokat.

Vegye ki a beszorult szögeket a szögvezető vajatból egy csavarhúzó segítségével.

Rögzítse a vezetőelem fedelét az imbuszcavarokkal.

► **Ábra19:** 1. Vezetőelem borítása 2. Imbuszcavar

MEGJEGYZÉS: A vezetőelem fedelének rögzítése után mindig győződjön meg róla, hogy a vezetőelem fedele megfelelően működik. Ha nem működik megfelelően, távolítsa el az imbuszcavarokat, és szerelje fel újra a vezetőelem fedelét.

KARBANTARTÁS

VIGYÁZAT: Minden esetben ellenőrizze, hogy a szerszám ki van kapcsolva és az akkumulátor eltávolításra került mielőtt átvizsgálja a szerszámot vagy annak karbantartását végzi.

MEGJEGYZÉS: Soha ne használjon gázolajt, benzint, hígítót, alkoholt vagy hasonló anyagokat. Ezek elszineződést, alakvesztést vagy repedést okozhatnak.

A termék BIZTONSÁGÁNAK és MEGBÍZHATÓSÁGÁNAK fenntartása érdekében a javításokat és más karbantartásokat vagy beállításokat a Makita hivatalos vagy gyári szervizközpontjában kell elvégezni, mindig csak Makita cserealkatrészeket használva.

OPCIONÁLIS KIEGÉSZÍTŐK

VIGYÁZAT: Ezen kiegészítőket és tartozékokat javasoljuk a kézikönyvben ismertetett Makita szerszámhoz. Bármilyen más kiegészítő vagy tartozék használata a személyi sérülés kockázatával jár. A kiegészítőt vagy tartozékokat csak rendeltetésszerűen használja.

Ha bármilyen segítségre vagy további információra van szüksége ezekkel a tartozékokkal kapcsolatban, keresse fel a helyi Makita Szervizközpontot.

- Szögek
- Eredeti Makita akkumulátor és töltő
- Védőszemüveg

MEGJEGYZÉS: A listán felsorolt néhány kiegészítő megtalálható az eszköz csomagolásában standard kiegészítőként. Ezek országonként eltérőek lehetnek.

TECHNICKÉ ŠPECIFIKÁCIE

Model:	DFN350
Veľkosť klinca	18 Ga x 15, 20, 25, 30, 35 mm
Kapacita zásobníka klincov	100 ks
Rozmery s BL1860B, bez háčika (D x Š x V)	257 mm x 79 mm x 228 mm
Menovité napätie	Jednosmerný prúd 18 V
Hmotnosť netto	2,4 kg

- Vzhľadom k neustálemu výskumu a vývoju podliehajú technické údaje uvedené v tomto dokumente zmenám bez upozornenia.
- Technické špecifikácie a typ akumulátora sa môžu v rámci jednotlivých krajín líšiť.
- Hmotnosť sa môže líšiť v závislosti od nastavcov vrátane akumulátora. Najľahšia a najťažšia kombinácia v súlade s postupom EPTA 01/2014 je uvedená v tabuľke.

Použiteľné akumulátory

BL1815 / BL1815N / BL1820 / BL1820B / BL1830 / BL1830B / BL1840 / BL1840B / BL1850 / BL1850B / BL1860B

- Niektoré vyššie uvedené akumulátory môžu byť nedostupné v závislosti od miesta vášho bydliska.

VAROVANIE: Používajte iba akumulátory zo zoznamu uvedeného vyššie. Používanie akýchkoľvek iných akumulátorov môže spôsobiť zranenie a/alebo požiar.

Určené použitie

Tento nástroj je určený na spájanie mäkkého dreva.

Hluk

Typická hladina akustického tlaku zátáže A určená podľa štandardu EN60745-2-16:

Úroveň akustického tlaku (L_{pA}): 81 dB (A)

Úroveň akustického tlaku (L_{WA}): 92 dB (A)

Odchýlka (K): 3 dB (A)

POZNÁMKA: Deklarovaná hodnota emisií hluku bola meraná podľa štandardnej skúšobnej metódy a môže sa použiť na porovnanie jedného nástroja s druhým.

POZNÁMKA: Deklarovaná hodnota emisií hluku sa môže použiť aj na predbežné posúdenie vystavenia ich účinkom.

VAROVANIE: Používajte ochranu sluchu.

VAROVANIE: Emisie hluku sa môžu počas skutočného používania elektrického nástroja odlišovať od deklarovanej hodnoty, a to v závislosti od spôsobov používania náradia a najmä typu spracúvaného obrobku.

VAROVANIE: Nezabudnite označiť bezpečnostné opatrenia s cieľom chrániť obsluhu, a to tie, ktoré sa zakladajú na odhade vystavenia účinkom v rámci reálnych podmienok používania (berúc do úvahy všetky súčasti prevádzkového cyklu, ako sú doby, kedy je nástroj vypnutý a kedy beží bez zaťaženia, ako dodatok k dobe zapnutia).

Vibrácie

Celková hodnota vibrácií bola stanovená podľa EN60745-2-16:

Emisie vibrácií (a_h): 2,5 m/s² alebo menej

Odchýlka (K): 1,5 m/s²

POZNÁMKA: Deklarovaná celková hodnota vibrácií bola meraná podľa štandardnej skúšobnej metódy a môže sa použiť na porovnanie jedného nástroja s druhým.

POZNÁMKA: Deklarovaná celková hodnota vibrácií sa môže použiť aj na predbežné posúdenie vystavenia ich účinkom.

VAROVANIE: Emisie vibrácií sa môžu počas skutočného používania elektrického nástroja odlišovať od deklarovanej hodnoty, a to v závislosti od spôsobov používania náradia a najmä typu spracúvaného obrobku.

VAROVANIE: Nezabudnite označiť bezpečnostné opatrenia s cieľom chrániť obsluhu, a to tie, ktoré sa zakladajú na odhade vystavenia účinkom v rámci reálnych podmienok používania (berúc do úvahy všetky súčasti prevádzkového cyklu, ako sú doby, kedy je nástroj vypnutý a kedy beží bez zaťaženia, ako dodatok k dobe zapnutia).

Vyhlásenie o zhode ES

Len pre krajiny Európy

Vyhlásenie o zhode ES sa nachádza v prílohe A tohto návodu na obsluhu.

BEZPEČNOSTNÉ VAROVANIA

Všeobecné bezpečnostné predpisy pre elektrické nástroje

VAROVANIE: Preštudujte si všetky bezpečnostné varovania, pokyny, vyrobzenia a technické špecifikácie určené pre tento elektrický nástroj. Pri nedodržaní všetkých nižšie uvedených pokynov môže dôjsť k úrazu elektrickým prúdom, požiaru alebo vážnemu zraneniu.

Všetky výstrahy a pokyny si odložte pre prípad potreby v budúcnosti.

Pojem „elektrický nástroj“ sa vo výstrahách vzťahuje na elektrický napájané elektrické nástroje (s káblom) alebo batériou napájané elektrické nástroje (bez kábla).

Bezpečnostné varovania pre akumulátorovú klincovačku

1. **Vždy sa presvedčte, či nástroj obsahuje upínacie prvky.** Neopatrné zaobchádzanie s klincovačkou môže viesť k neočakávanému vystreleniu upínacích prvkov a zraneniu osôb.
2. **Nástrojom nikdy nemieďte na seba ani na nikoho iného vo vašej blízkosti.** Upínací prvok vystrelený po neočakávanom zapnutí nástroja môže spôsobiť zranenie.
3. **Nástroj nezapínajte, pokiaľ sa pevne neopiera o obrobok.** Ak sa nástroj nedotýka obrobku, upínací prvok sa môže odraziť mimo jeho povrchu.
4. **Keď sa upínací prvok v nástroji zasekne, nástroj odpojte od zdroja napájania.** V opačnom prípade by sa klincovačka mohla pri uvoľňovaní zaseknutého upínacieho prvku náhodne spustiť.
5. **Pri uvoľňovaní zaseknutého upínacieho prvku postupujte opatrne.** Mechanizmus môže byť pod tlakom a zaseknutý upínací prvok by pri pokuse o uvoľnenie mohol silno vystreliť.
6. **Túto klincovačku nepoužívajte na pripievňovanie elektrických káblov.** Nie je navrhnutá na inštaláciu elektrických káblov a môže poškodiť izoláciu elektrických káblov a tým spôsobiť zásah elektrickým prúdom alebo riziko požiaru.
7. **Ruky a nohy držte mimo oblasti výstupného otvoru.**
8. **Pri mazaní a výmene príslušenstva sa riadte príslušnými pokynmi.**
9. **Pred vkladáním upínacích prvkov, úpravami, kontrolou, údržbou alebo po vykonaní práce vždy vyberte akumulátor.**
10. **Pred prácou skontrolujte, či sa v blízkosti niekto nenachádza.** Nikdy sa nepokúšajte nastreľovať upínacie prvky súčasne zvnútra aj zvonka steny. Upínacie prvky môžu preraziť a/alebo vyletieť, čo predstavuje smrteľné nebezpečenstvo.
11. **Dávajte pozor na svoj postoj a zachovávajte rovnováhu s nástrojom.** Pri práci na vyšších miestach dbajte na to, aby sa nikto nenachádzal pod vami.

12. **Nástroj na vkladanie upínacích prvkov označený symbolom „Nepoužívajte na lešeniach a rebričkoch“ nikdy nepoužívajte v určitých situáciách, napríklad:**
 - v prípade, ak chcete zmeniť miesto klinčovania za iné, pričom vykonanie tejto zmeny vyžaduje použité lešenia, schodíkov, rebrikov alebo konštrukcií podobných rebriku, napr. strešných lát;
 - na zatváranie škatúľ alebo prepraviek;
 - na montáž prepravných bezpečnostných systémov napríklad na vozidlách alebo vagónoch.
13. **Dôkladne skontrolujte steny, stropy, podlahy zastrešenie a pod., aby nedošlo k úrazu elektrickým prúdom, úniku plynu, výbuchu a pod., spôsobeným priechodom sponky do vodičov pod napätím, potrubí alebo plynových rúrok.**
14. **Používajte len upínacie prvky opísané v tomto návode.** Pri použití akýchkoľvek iných upínacích prvkov môže dôjsť k poruche nástroja.
15. **Nástroj neupravujte a nepokúšajte sa ho používať na iné účely než nastreľovanie upínacích prvkov.**
16. **Nástroj nepoužívajte bez upínacích prvkov.** Skracuje to jeho životnosť.
17. **Ak na nástroji spozorujete niečo chybne alebo nezvyčajné, okamžite zastavte prácu.**
18. **Nikdy nevrážajte upínacie prvky do materiálov, cez ktoré by mohli vyletieť ako projektil.**
19. **Nikdy súčasne neaktivujte spúšťač a kontaktný prvok, kým nie ste pripravení pripieňovať pracovné materiály.** Nechajte pracovný materiál stlačiť kontaktný prvok. Nikdy nezaistujte kontaktný prvok a nestláčajte ho rukou, aby ste obišli jeho účel.
20. **Kontaktný prvok nikdy neupravujte.** Pravidelne kontrolujte správnosť fungovania kontaktného prvku.
21. **Z nástroja, ktorý sa nepoužíva, vždy vyberte upínacie prvky.**

TIETO POKYNY USCHOVAJTE.

VAROVANIE: NIKDY nepripustíte, aby sebavedomie a dobrá znalosť výrobku (získané opakovaným používaním) nahradili presné dodržiavanie bezpečnostných pravidiel pre náradie. **NESPRÁVNE POUŽÍVANIE** alebo nedodržiavanie bezpečnostných zásad uvedených v tomto návode môže viesť k vážnemu zraneniu.

Dôležité bezpečnostné a prevádzkové pokyny pre akumulátor

1. **Pred použitím akumulátora si prečítajte všetky pokyny a výstražné označenia na (1) nabíjačke akumulátorov, (2) akumulátore a (3) produkte používajúcom akumulátor.**
2. **Akumulátor nerozoberajte.**
3. **Ak sa doba prevádzky príliš skráti, ihneď prerušte prácu.** Môže nastať riziko prehriatia, možných popálením či dokonca explózie.
4. **V prípade zasiahnutia očí elektrolytom ich vypláchnite čistou vodou a okamžite vyhľadajte lekársku pomoc.** Môže dôjsť k strate zraku.

5. **Akumulátor neskratujte:**
 - (1) **Nedotýkajte sa konektorov žiadnym vodičným materiálom.**
 - (2) **Neskladujte akumulátor v obale s inými kovovými predmetmi, napríklad klincami, mincami a pod.**
 - (3) **Akumulátor nevystavujte vode ani dažďu. Skrat akumulátora môže spôsobiť veľký tok prúdu, prehriatie, možné popálenie či dokonca poruchu.**
6. **Neskladujte nástroj ani akumulátor na miestach s teplotou presahujúcou 50 °C (122 °F).**
7. **Akumulátor nespáľujte, ani keď je vážne poškodený alebo úplne opotrebovaný. Akumulátor môže v ohni explodovať.**
8. **Dávajte pozor, aby akumulátor nespadol, a nevystavujte ho nárazom.**
9. **Nepoužívajte poškodený akumulátor.**
10. **Lítium-iónové akumulátory, ktoré sú súčasťou u náradia, podliehajú požiadavkám legislatívy o nebezpečnom tovare.**

V prípade obchodnej prepravy, napr. dodanie tretími stranami či špeditérmi, sa musia dodržiavať špeciálne požiadavky na zabalenie a označenie. Pred prípravou položky na odoslanie sa vyžaduje konzultácia s odborníkom na nebezpečný materiál. Taktiež treba dodržiavať potenciálne podrobnejšie predpisy príslušnej krajiny.

Prelepte alebo zakryte otvorené kontakty a zabaľte akumulátor tak, aby sa v balíku nemohol voľne pohybovať.

11. **Akumulátor zlikvidujte v súlade s miestnymi nariadeniami.**
12. **Akumulátory používajte iba s výrobkami uvedenými spoločnosťou Makita. Inštalácia akumulátorov do nevyhovujúcich výrobkov môže spôsobiť požiar, nadmerné teplo, výbuch alebo únik elektrolytov.**

TIETO POKYNY USCHOVAJTE.

⚠️ POZOR: Používajte len originálne akumulátory od spoločnosti Makita. Používanie batérií, ktoré nie sú od spoločnosti Makita, alebo upravených batérií môže spôsobiť výbuch batérie a následný požiar, zranenie osôb alebo poškodeniu majetku. Následkom bude aj zrušenie záruky od spoločnosti Makita na nástroj a nabíjačku od spoločnosti Makita.

Rady na udržanie maximálnej životnosti akumulátora

1. **Akumulátor nabite ešte predtým, ako sa úplne vybijie. Vždy prerušte prácu s nástrojom a nabite akumulátor, keď spozorujete nižší výkon nástroja.**
2. **Nikdy nenabíjate plne nabitý akumulátor. Prebíjanie skraca životnosť akumulátora.**
3. **Akumulátor nabíjajte pri izbovej teplote 10 °C – 40 °C (50 °F – 104 °F). Pred nabíjaním nechajte horúci akumulátor vychladnúť.**
4. **Lítium-iónový akumulátor nabite, ak ste ho nepoužívali dlhšie ako šesť mesiacov.**

OPIS FUNKCIÍ

⚠️ POZOR: Pred úpravou alebo kontrolou funkčnosti nástroja vždy skontrolujte, či je nástroj vypnutý a akumulátor je vybratý.

Inštalácia alebo demontáž akumulátora

⚠️ POZOR: Pred inštaláciou alebo vybratím akumulátora nástroj vždy vypnite.

⚠️ POZOR: Pri inštalovaní a vyberaní akumulátora pevne uchopíte nástroj a akumulátor. Ak nástroj a akumulátor pevne neuchopíte, môže to mať za následok vyšmyknutie z vašich rúk s dôsledkom poškodenia nástroja a akumulátora, ako aj osobných poranení.

- **Obr.1:** 1. Červený indikátor 2. Tlačidlo 3. Akumulátor

Ak chcete vybrať akumulátor, vysuňte ho z nástroja, pričom posuňte tlačidlo na prednej strane akumulátora.

Akumulátor vložíte tak, že jazýček akumulátora zarovnáte s drážkou v kryte a zasuniete ho na miesto. Zatlačte ho úplne, kým zakliknutím nezapadne na miesto. Ak vidíte červený indikátor na hornej strane tlačidla, nie je správne zapadnutý.

⚠️ POZOR: Akumulátor vždy nainštalujte úplne, až kým nie je vidieť červený indikátor. V opačnom prípade môže náhodne vypadnúť z nástroja a ublížiť vám alebo osobám v okolí.

⚠️ POZOR: Pri inštalovaní akumulátora nepoužívajte silu. Ak sa akumulátor nedá zasunúť ľahko, nevkladáte ho správne.

Systém na ochranu nástroja/ akumulátora

Nástroj je vybavený systémom ochrany nástroja/akumulátora. Tento systém automaticky vypne napájanie motora s cieľom predĺžiť životnosť nástroja a akumulátora. Nástroj sa počas prevádzky automaticky zastaví v prípade, ak sa nástroj alebo akumulátor dostanú do jedného z nasledujúcich stavov:

Ochrana proti preťaženiu

Keď sa nástroj používa spôsobom, ktorý spôsobuje odber neštandardne vysokého prúdu, nástroj sa bez upozornenia automaticky vypne. V tejto situácii vypnite nástroj a ukončíte prácu, ktorá spôsobuje jeho preťažovanie. Potom nástroj znova zapnite.

Ochrana pred prehrievaním

Keď sa nástroj alebo akumulátor prehreje, nástroj sa automaticky zastaví. V tejto situácii nechajte nástroj/akumulátor pred opätovným spustením vychladnúť.

Ochrana pred nadmerným vybitím

Keď je kapacita akumulátora nedostatočná, nástroj sa automaticky vypne. V takomto prípade vyberte akumulátor z nástroja a nabite ho.

Indikácia zvyšnej kapacity akumulátora

Len na akumulátory s indikátorom

► **Obr.2:** 1. Indikátory 2. Tlačidlo kontroly

Stlačením tlačidla kontroly na akumulátore zobrazíte zostávajúcu kapacitu akumulátora. Indikátory sa na niekoľko sekúnd rozsvietia.

Indikátory			Zostávajúca kapacita
Svieti	Nesvieti	Bliká	
■	□	◐	75 % až 100 %
■ ■ ■ ■			50 % až 75 %
■ ■	□ □		25 % až 50 %
■	□ □ □ □		0 % až 25 %
◐	□ □ □ □		Akumulátor nabíja.
■ ■	□ □		Akumulátor je možno chybný.
□ □	■ ■		

POZNÁMKA: V závislosti od podmienok používania a v závislosti od okolitej teploty sa môže zobrazenie mierne odlišovať od skutočnej kapacity.

Zaist'ovacie tlačidlo spínača

POZOR: Pred vložením akumulátora do nástroja sa vždy presvedčíte, či spúšťací spínač funguje správne a po uvoľnení sa vráti do pozície „OFF“.

POZOR: Keď s nástrojom nepracujete, stlačte zaist'ovacie tlačidlo spínača na strane B, čím uzamknete spúšťací spínač do polohy OFF (VYP.).

► **Obr.3:** 1. Zaist'ovacie tlačidlo spínača 2. Spúšťací spínač

► **Obr.4**

Spúšťací spínač je pred náhodným stlačením chránený zaist'ovacím tlačidlom spínača.

Ak chcete stlačiť spúšťací spínač, stlačte zaist'ovacie tlačidlo spínača zo strany A.

Po použití vždy zatlačte zaist'ovacie tlačidlo spínača zo strany B.

Nastavenie hĺbky nastreľovania klinec

VAROVANIE: Pred nastavením hĺbky nastreľovania klinec nesmiete mať prsty položené na spúšťacom spínači ani na kontaktnom prvku a akumulátor musí byť vybratý.

Na tejto klinecovačke sa môže nastaviť hĺbka nastreľovania klinec. Hĺbka nastreľovania klinec sa nastavuje otáčaním nastavovača. Hĺbka nastreľovania klinec je najhlbšia, keď je nastavovač úplne otočený v smere A, ako je znázornené na obrázku. Hĺbka sa znižuje otáčaním nastavovača v smere B. Hĺbku možno nastaviť najviac na 2,5 mm.

► **Obr.5:** 1. Nastavovač

► **Obr.6:** 1. Príliš hlboko 2. Presne zarovno 3. Príliš plytko

Rozsvietenie kontrolky

POZOR: Nedívejte sa priamo do svetla ani jeho zdroja.

Kontrolka sa rozsvieti stlačením spúšťacieho spínača alebo aktiváciou kontaktného prvku. Kontrolka svieti, kým držíte stlačený spúšťací spínač alebo máte prítlačný kontaktný prvok. Kontrolka zhasne asi 10 sekúnd po uvoľnení spúšťacieho spínača a kontaktného prvku.

► **Obr.7:** 1. Lampa

POZNÁMKA: Suchou tkaninou utrite znečistené šošovky lampy. Dávajte pozor, aby sa šošovky lampy nepoškriabali. Mohla by sa znížiť intenzita osvetlenia.

POZNÁMKA: Keď sa kontrolka rozsvieti pri malej zostatkovej kapacite akumulátora, klinecovačka nemusí nastreľovať klinec. V takom prípade nabíjajte akumulátor.

POZNÁMKA: Kontrolka bude blikať, ak klinecovačka zistí počas nastreľovania klinec chybu. V takom prípade odneste klinecovačku do továrenského servisného centra.

ZOSTAVENIE

POZOR: Pred každou prácou na klinecovačke sa vždy uistite, že nemáte prsty položené na spúšťacom spínači ani na kontaktnom prvku a skontrolujte, či ste vybrali akumulátor.

Vkladanie alebo vyberanie klinec

POZOR: Pred vkladáním klinec sa vždy uistite, že nemáte prsty na spúšťáči a že je akumulátor vybratý.

POZOR: Posuvné dvierka nezasúvajte prudkým pohybom, ak je klinecovačka naplnená klinecami. Pri náhodnom páde by nastreľovacie klinec mohli spôsobiť zranenie osôb, najmä pri práci vo výškach.

POZOR: Nastreľovacie klinec vkladajte správnym smerom. Vkladanie nesprávnym smerom by mohlo spôsobiť predčasnú opotrebovanie držiaka a poškodenie ostatných častí.

POZOR: Nepoužívajte deformované pásy klinec. Používajte len nastreľovacie klinec uvedené v tejto príručke. Používanie nastreľovacích klinec, ktoré nie sú uvedené v tejto príručke, môže spôsobiť zasekávanie klinec a poškodenie klinecovačky.

1. Stlačte poistnú páčku a otvorte posuvné dvierka zásobníka.
► **Obr.8:** 1. Poistná páčka 2. Posuvné dvierka
3. Vodidlo 4. Zásobník

2. Nastavte pás klincov tak, aby sa hroty klincov dotýkali spodnej strany zásobníka, a pás klincov posuňte smerom k nastreľovaciemu otvoru.

- **Obr.9:** 1. Klince 2. Posuvné dvierka 3. Vodidlo

3. Zasuňte posuvné dvierka späť do pôvodnej polohy, kým sa poistná páčka nezaistí.

Ak chcete vybrať klince, stlačte poistnú páčku a posuňte posuvné dvierka. Vyberte klince zo zásobníka.

Predný adaptér

▲ POZOR: Pred inštaláciou predného adaptéra sa presvedčte, či nemáte prsty na spúšťacom spínači ani na kontaktnom prvku a či je akumulátor vybratý.

Pri nastreľovaní klincov do materiálu, ktorý sa ľahko poškodí, používajte predný adaptér. Predný adaptér pripojíte tak, že ho položíte na koniec krytu vodidla. Keď predný adaptér nepoužívate, uchovávajte ho vložený v držiaku na zadnom konci zásobníka, aby sa nestratil.

- **Obr.10:** 1. Predný adaptér 2. Držiak

Hák

▲ POZOR: Náradie si nevešajte na opasok. Klincovačka by pri páde po náhodnom uvoľnení háku mohla náhodne vystreliť a niekoho poraniť.

- **Obr.11**

Hák je vhodný na dočasné zavesenie nástroja. Môže sa namontovať na ktorúkoľvek stranu nástroja.

Hák namontujete tak, že ho vložíte do drážky na tele nástroja na ktorejkoľvek strane a potom ho zaistíte skrutkou. Vyberiete ho uvoľnením skrutky.

- **Obr.12:** 1. Drážka 2. Hák 3. Skrutka

Uskladnenie šesťhranného kľúča

Keď šesťhranný kľúč nepoužívate, odložte ho podľa obrázka, aby sa nestratil.

- **Obr.13:** 1. Šesťhranný imbusový kľúč

PREVÁDZKA

Testovanie bezpečnostného systému

▲ VAROVANIE: Pred prácou skontrolujte, či sú všetky bezpečnostné systémy funkčné. V opačnom prípade môže dôjsť k zraneniu.

- **Obr.14:** 1. Zaisťovacie tlačidlo spínača 2. Spúšťací spínač 3. Kontaktný prvok 4. Zásobník

Pred použitím nasledujúcim spôsobom otestujte bezpečnostné systémy, aby nedošlo k možným poruchám.

1. Vyberte klince z nástroja a zásobník nechajte otvorený.
2. Vložte akumulátor a uvoľnite poistku spúšťača.

3. Spúšťací spínač stláčajte, len ak sa kontaktný prvok nedotýka materiálu.

4. Kontaktným prvkom sa dotýkajte materiálu, len keď nestláčate spúšťací spínač.

Ak je nástroj v prevádzke v situácii opísanej v prípadе 3 a 4, sú bezpečnostné systémy chybné. Nástroj okamžite prestaňte používať a obráťte sa na miestne servisné stredisko.

Nastreľovanie klincov

▲ VAROVANIE: Kontaktný prvok pevne pritlačte na materiál, kým sa klince úplne nenastreli. Neúmyselné vystrelenie môže spôsobiť zranenie osôb.

1. Uvoľnite poistku spúšťača.
2. Kontaktný prvok umiestnite úplne na materiál.
3. Klince sa nastreľujú úplným stlačením spúšťačieho spínača.

4. Ak chcete nastreliť ďalší klince, uvoľnite prst zo spúšťačieho spínača a potom zopakujte kroky 2 a 3 vyššie.

- **Obr.15:** 1. Spúšťací spínač 2. Kontaktný prvok

Klince môžete nastreľovať aj pri ťahaní nástroja do ďalšej oblasti tak, že kontaktný prvok pritlačate na materiál a ťaháte spúšťací spínač.

- **Obr.16**

Ak hlavička klinca zostáva nad povrchom pracovného materiálu, pri nastreľovaní klinca držte hlavičku klinca pevne opretú o pracovný materiál.

- **Obr.17**

POZNÁMKA: Ak nastreľovací klince stále zostáva nad pracovným materiálom, aj keď ho držíte za hlavičku, materiál pravdepodobne nie je pre klincovačku vhodný. Ak budete klincovačku naďalej používať pri práci s takýmto materiálom, môže sa poškodiť vodidlo klincovačky alebo sa môže klincovačka zasekávať.

Mechanizmus zabraňujúci nastreľovaniu naprázdno

▲ VAROVANIE: Pred napíňaním klincovačky sa vždy uistite, že nemáte prsty položené na spúšťacom spínači ani na kontaktnom prvku a že je akumulátor vybratý.

Keď počet zostávajúcich nastreľovacích klincov v zásobníku klesne na 0, spúšťací spínač sa nebude dať potiahnuť. Vložte do zásobníka nový pás klincov. Spúšťací spínač možno znova stlačiť.

Kontrola zostávajúcich klincov

Množstvo zostávajúcich klincov môžete kontrolovať cez priezor.

Keď sa množstvo zostávajúcich klincov zmenší, červený indikátor sa posunie smerom k nastreľovaciemu otvoru.

- **Obr.18:** 1. Priezor 2. Indikátor

Odstraňovanie zaseknutých klincov

VAROVANIE: Pred vyberaním zaseknutých klincov sa vždy uistite, že je spúšťač uvoľnený a akumulátor a klince sú zo zásobníka vybraté.

POZOR: Zaseknuté klince nevyberajte holými rukami. Klince môžu zo zásobníka vyskočiť a spôsobiť zranenie.

S použitím šesťhranného kľúča odskrutkujte skrutky s vnútorným šesťhranom na kryte vodidla.

Pomocou plochého skrutkovača vyberte zaseknuté klince z drážky vodiaceho prvku klincov.

Zaistite kryt vodidla skrutkami so šesťhrannou hlavou.

► **Obr.19:** 1. Kryt vodidla 2. Skrutka so šesťhrannou hlavou

POZNÁMKA: Po zaistení krytu vodidla sa vždy presvedčíte, či správne funguje. Ak nefunguje správne, vyberte skrutky so šesťhrannou hlavou a kryt vodidla nainštalujte znovu.

ÚDRŽBA

POZOR: Pred vykonaním kontroly alebo údržby vždy skontrolujte, či je nástroj vypnutý a akumulátor je vybratý.

UPOZORNENIE: Nepoužívajte benzín, riedidlo, alkohol ani podobné látky. Mohlo by to spôsobiť zmenu farby, deformácie alebo praskliny.

Ak chcete udržať BEZPEČNOSŤ a BEZPORUCHOVOSŤ výrobku, prenehajte opravy, údržbu a nastavenie na autorizované alebo továrenské servisné centrá Makita, ktoré používajú len náhradné diely značky Makita.

VOLITEĽNÉ PRÍSLUŠENSTVO

POZOR: Pre váš nástroj Makita, opísaný v tomto návode, doporučujeme používať toto príslušenstvo a nástavce. Pri použití iného príslušenstva či nástavcov môže hroziť nebezpečenstvo zranenia osôb. Príslušenstvo a nástavce sa môžu používať len na účely pre ne stanovené.

Ak potrebujete bližšie informácie týkajúce sa tohoto príslušenstva, obráťte sa na vaše miestne servisné stredisko firmy Makita.

- Klince
- Originálna batéria a nabíjačka Makita
- Ochranné okuliare

POZNÁMKA: Niektoré položky zo zoznamu môžu byť súčasťou balenia nástrojov vo forme štandardného príslušenstva. Rozsah týchto položiek môže byť v každej krajine odlišný.

SPECIFIKACE

Model:	DFN350
Velikost hřebíku	18 Ga × 15, 20, 25, 30, 35 mm
Kapacita zásobníku hřebíků	100 ks
Rozměry s BL1860B, bez háčku (D × Š × V)	257 mm × 79 mm × 228 mm
Jmenovité napětí	18 V DC
Hmotnost netto	2,4 kg

- Vzhledem k neustálému výzkumu a vývoji zde uvedené technické údaje podléhají změnám bez upozornění.
- Technické údaje a akumulátor se mohou v různých zemích lišit.
- Hmotnost se může lišit v závislosti na nastavcích a přídatných zařízeních, včetně akumulátoru. Nejlehčí a nejtěžší kombinace, dle EPTA-Procedure 01/2014, jsou uvedeny v tabulce níže.

Použitelný akumulátor

BL1815 / BL1815N / BL1820 / BL1820B / BL1830 / BL1830B / BL1840 / BL1840B / BL1850 / BL1850B / BL1860B

- V závislosti na regionu vašeho bydliště nemusí být některé akumulátory k dispozici.

VAROVÁNÍ: Používejte pouze výše uvedené akumulátory. Použití jiných akumulátorů může způsobit zranění a/nebo požár.

Účel použití

Nářadí slouží ke spojování měkkého dřeva.

Hlučnost

Typická vážená hladina hluku (A) určená podle normy EN60745-2-16:

Hladina akustického tlaku (L_{pA}): 81 dB(A)
Hladina akustického výkonu (L_{WA}): 92 dB (A)
Nejistota (K): 3 dB(A)

POZNÁMKA: Celková(é) hodnota(y) emisí hluku byla(y) změřena(y) v souladu se standardní zkušební metodou a dá se použít k porovnání nářadí mezi sebou.

POZNÁMKA: Hodnotu(y) deklarovaných emisí hluku lze také použít k předběžnému posouzení míry expozice vibracím.

VAROVÁNÍ: Používejte ochranu sluchu.

VAROVÁNÍ: Emise hluku se při používání elektrického nářadí ve skutečnosti mohou od deklarované(ých) hodnot(y) lišit v závislosti na způsobech použití nářadí.

VAROVÁNÍ: Nezapomeňte stanovit bezpečnostní opatření na ochranu obsluhy podle odhadu expozice ve skutečných podmínkách použití. (Vezměte přitom v úvahu všechny části provozního cyklu, tj. kromě doby zátěže například doby, kdy je nářadí vypnuté a kdy běží naprázdno.)

Vibrace

Celková hodnota vibrací určená dle normy EN60745-2-16:

Emise vibrací (a_{hv}): 2,5 m/s² nebo méně
Nejistota (K): 1,5 m/s²

POZNÁMKA: Celková(é) hodnota(y) deklarovaných vibrací byla(y) změřena(y) v souladu se standardní zkušební metodou a dá se použít k porovnání nářadí mezi sebou.

POZNÁMKA: Celkovou(é) hodnotu(y) deklarovaných vibrací lze také použít k předběžnému posouzení míry expozice vibracím.

VAROVÁNÍ: Emise vibrací se při používání elektrického nářadí ve skutečnosti mohou od deklarované(ých) hodnot(y) lišit v závislosti na způsobech použití nářadí.

VAROVÁNÍ: Nezapomeňte stanovit bezpečnostní opatření na ochranu obsluhy podle odhadu expozice ve skutečných podmínkách použití. (Vezměte přitom v úvahu všechny části provozního cyklu, tj. kromě doby zátěže například doby, kdy je nářadí vypnuté a kdy běží naprázdno.)

Prohlášení ES o shodě

Pouze pro evropské země

Prohlášení ES o shodě je obsaženo v Příloze A tohoto návodu k obsluze.

BEZPEČNOSTNÍ VÝSTRAHY

Obecná bezpečnostní upozornění k elektrickému nářadí

VAROVÁNÍ: Přečtěte si všechny bezpečnostní výstrahy i pokyny a prohlédněte si ilustrace a specifikace dodané k tomuto elektrickému nářadí. Nedodržení všech níže uvedených pokynů může vést k úrazu elektrickým proudem, požáru či vážnému zranění.

Všechna upozornění a pokyny si uschovejte pro budoucí potřebu.

Pojem „elektrické nářadí“ v upozorněních označuje elektrické nářadí, které se zapojuje do elektrické sítě, nebo elektrické nářadí využívající akumulátory.

Bezpečnostní varování k akumulátorové sponkovačce

1. **Vždy předpokládejte, že nářadí obsahuje spojovací prvky.** Při neopatrné manipulaci se sponkovačkou může dojít k nečekanému nastřelení spojovacího materiálu a ke zranění.
2. **Nemiřte nářadím na sebe ani na žádnou jinou osobu.** Mohlo by dojít ke zranění po nečekaném vystřelení spojovacího prvku.
3. **Nespouštějte nářadí, dokud není pevně přiloženo ke spojovanému dílu.** Není-li nářadí v kontaktu s dílem, spojovací prvek se může odchytil.
4. **Uvázne-li spojovací prvek v nářadí, odpojte nářadí od napájení.** Při odstraňování uvízlého spojovacího materiálu by mohlo dojít k náhodné aktivaci sponkovačky připojené k napájení.
5. **Při odstraňování uvízlého spojovacího prvku buďte opatrní.** Mechanismus může být stlačen a spojovací prvek může být při pokusu o uvolnění vystřelen.
6. **Sponkovačku nepoužívejte k uchycování elektrických kabelů.** Není určena pro práci na elektroinstalaci a mohla by porušit izolaci elektrických kabelů a způsobit tak úraz elektrinou nebo požár.
7. **Před ústí nářadí nedávejte ruce a nohy.**
8. **Podržujte pokyny pro mazání a výměnu příslušenství.**
9. **Před vkládáním spojovacích prvků, seřizováním, kontrolou, údržbou nebo po skončení práce vždy z nářadí vyjměte akumulátor.**
10. **Před zahájením provozu se přesvědčte, že se v blízkosti nenacházejí žádné osoby.** Nikdy nenastřelujte současně z vnitřní i vnější strany stěny. Spojovací prvky mohou projít či prolétnout naskrz a představují tak vážné nebezpečí.
11. **Dbejte na správný postoj a udržujte dobrou rovnováhu s nářadím.** Při práci ve výškách dbejte, aby se pod vámi nepohybovaly žádné osoby.
12. **Hřebíkovačky označené symbolem „Nepoužívat na lešeních a žebříkách“ nikdy nepoužívejte pro určité práce, například:**

- jestliže přemístění z jednoho pracoviště na jiné vyžaduje použití lešení, schodů, žebříků nebo žebříkovitých konstrukcí, např. střešních latí;
- k uzavírání krabic či beden;
- k montáži bezpečnostních transportních systémů, např. na vozidlech a vagonech.

13. **Pečlivě zkontrolujte stěny, stropy, podlahy, střešní krytinu, atd., aby nedošlo ke zranění elektrickým proudem, úniku plynu, výbuchu nebo jiným nehodám způsobeným nastřelením spon do vodičů pod proudem, potrubí nebo plynových potrubí.**
14. **Používejte spojovací prvky specifikované v této příručce.** Použití jakýchkoli jiných spojovacích prvků může způsobit poruchu nářadí.
15. **Nářadí neupravujte a nepoužívejte jej k jiným účelům než k nastřelování spojovacích prvků.**
16. **Nespouštějte nářadí bez spojovacích prvků.** Zkracuje se tak jeho životnost.
17. **Pokud si na nářadí povšimnete jakékoliv poruchy nebo čehokoliv neobvyklého, okamžitě přerušete práci.**
18. **Nikdy nenastřelujte do žádných materiálů, jimiž může spojovací prvek prolétnout jako projektil.**
19. **Nikdy současně netiskněte spoušť a kontaktní prvek, dokud nejste připraveni spojit díly.** Kontaktní prvek má být stisknut spojováním dílem. Nikdy nepotlačujte funkci kontaktního prvku jeho zajištěním v zadní poloze nebo stisknutím rukou.
20. **Nikdy nemanipulujte s kontaktním prvkem.** Často kontrolujte řádnou funkci kontaktního prvku.
21. **Jestliže nářadí nepoužíváte, vždy z něj vyjměte spojovací materiál.**

TYTO POKYNY USCHOVEJTE.

VAROVÁNÍ: NEDOVOLTE, aby pohodlnost nebo pocit znalosti výrobku (získaný na základě předchozího použití) vedl k zanedbání dodržování bezpečnostních pravidel platných pro tento výrobek. **NESPRÁVNÉ POUŽÍVÁNÍ** či nedodržení bezpečnostních pravidel uvedených v tomto návodu k obsluze může způsobit vážné zranění.

Důležitá bezpečnostní upozornění pro akumulátor

1. **Před použitím akumulátoru si přečtěte všechny pokyny a varovné symboly na (1) nabíječce, (2) akumulátoru a (3) výrobku využívajícím akumulátor.**
2. **Akumulátor nerozebírejte.**
3. **Pokud se příliš zkrátí provozní doba akumulátoru, přerušete okamžitě práci.** V opačném případě existuje riziko přehřívání, popálení nebo dokonce výbuchu.
4. **Budou-li vaše oči zasaženy elektrolytem, vypláchněte je čistou vodou a okamžitě vyhledejte lékařskou pomoc.** Může dojít ke ztrátě zraku.

5. **Akumulátor nezkratujte:**
 - (1) **Nedotýkejte se svorek žádným vodivým materiálem.**
 - (2) **Neskladujte akumulátor v nádobě s jinými kovovými předměty, jako jsou hřebíky, mince, apod.**
 - (3) **Nevystavuje akumulátor vodě a dešti. Zkrat akumulátoru může způsobit velký průtok proudu, přehřátí, možné popálení a dokonce i poruchu.**
6. **Neskladujte nářadí a akumulátor na místech, kde může teplota překročit 50 °C (122 °F).**
7. **Nespalujte akumulátor, ani když je vážně poškozen nebo úplně opotřeben. Akumulátor může v ohni vybuchnout.**
8. **Dávejte pozor, abyste akumulátor neupustili ani s ním nenarazili.**
9. **Nepoužívejte poškozené akumulátory.**
10. **Obsažené lithium-iontové akumulátory podléhají právním požadavkům na nebezpečné zboží.**
V případě komerční přepravy například externími dopravci je třeba dodržet zvláštní požadavky na balení a značení.
Pro přípravu zboží k přepravě je nutná konzultace s odborníkem na nebezpečný materiál. Dodržujte také případné podrobnější národní předpisy.
Odkryté kontakty přelepte izolační páskou či jinak zakryjte a akumulátory zabalte tak, aby se v balení nemohly pohybovat.
11. **Při likvidaci akumulátoru postupujte podle místních předpisů.**
12. **Akumulátor používejte pouze s výrobky specifikovanými společností Makita.** Instalace akumulátoru do nevhodujících výrobků může způsobit požár, nadměrné zahřívání, explozi nebo únik elektrolytu.

TYTO POKYNY USCHOVEJTE.

⚠️ UPOZORNĚNÍ: Používejte pouze originální akumulátory Makita. Používání neoriginálních nebo upravených akumulátorů může způsobit explozi akumulátoru a následný požár, zranění a jiné poškození. Zaniká tím také záruka společnosti Makita na nářadí a nabíječku Makita.

Tipy k zajištění maximální životnosti akumulátoru

1. **Akumulátor nabíjete dříve, než dojde k jeho úplnému vybití. Pokud si povšimnete sníženého výkonu nářadí, vždy jej zastavte a dobijte akumulátor.**
2. **Nikdy nenabíjete úplně nabitý akumulátor. Přebíjení zkracuje životnost akumulátoru.**
3. **Akumulátor dobíjete při pokojové teplotě od 10 °C do 40 °C (50 °F až 104 °F). Před nabíjením nechejte horký akumulátor zchladnout.**
4. **Pokud se akumulátor delší dobu nepoužívá (déle než šest měsíců), je nutno jej dobít.**

POPIS FUNKCÍ

⚠️ UPOZORNĚNÍ: Před nastavováním nářadí nebo kontrolou jeho funkce se vždy přesvědčte, zda je vypnuté a je vyjmutý akumulátor.

Nasazení a sejmutí akumulátoru

⚠️ UPOZORNĚNÍ: Před nasazením či sejmutím akumulátoru nářadí vždy vypněte.

⚠️ UPOZORNĚNÍ: Při nasazování či snímání akumulátoru pevně držte nářadí i akumulátor. V opačném případě vám může nářadí nebo akumulátor vyklouznout z rukou a mohlo by dojít k jejich poškození či ke zranění.

- **Obr.1:** 1. Červený indikátor 2. Tlačítko 3. Akumulátor

Chcete-li akumulátor sejmout, vysuňte jej se současným přesunutím tlačítka na přední straně akumulátoru. Při nasazování akumulátoru vyrovnejte jazýček na bloku akumulátoru s drážkou v krytu a zasuňte akumulátor na místo. Akumulátor zasuňte na doraz, až zacvakne na své místo. Není-li tlačítko zcela zajištěno, uvidíte na jeho horní straně červený indikátor.

⚠️ UPOZORNĚNÍ: Akumulátor zasunujte vždy zcela tak, aby nebyl červený indikátor vidět. Jinak by mohl akumulátor ze zařízení vypadnout a způsobit zranění obsluze či přihlížejícím osobám.

⚠️ UPOZORNĚNÍ: Akumulátor nenasazujte násilím. Nelze-li akumulátor zasunout snadno, nekláďte jej správně.

Systém ochrany nářadí a akumulátoru

Nářadí je vybaveno systémem ochrany nářadí a akumulátoru. Tento systém automaticky přeruší napájení motoru, aby se prodloužila životnost nářadí a akumulátoru. Budou-li nářadí nebo akumulátor vystaveny některé z níže uvedených podmínek, nářadí se během provozu automaticky vypne:

Ochrana proti přetížení

Pokud se s nářadím či akumulátorem pracuje způsobem vyvolávajícím mimořádně vysoký odběr proudu, nářadí se automaticky a bez jakékoli signalizace vypne. V takové situaci nářadí vypněte a ukončete činnost, při níž došlo k přetížení nářadí. Potom nářadí zapněte a obnovte činnost.

Ochrana proti přehřátí

Když se nářadí či akumulátor přehřeje, automaticky se vypne. V takovém případě nechte nářadí či akumulátor před opětovným zapnutím vychladnout.

Ochrana proti přílišnému vybití











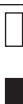
V případě nedostačující kapacity akumulátoru se nářadí automaticky vypne. V takovém případě vyjměte akumulátor z nářadí a nabíjete jej.

Indikace zbývající kapacity akumulátoru

Pouze pro akumulátory s diodovým ukazatelem

► Obr.2: 1. Kontrolky 2. Tlačítko kontroly

Stisknutím tlačítka kontroly na akumulátoru zjistíte zbývající kapacitu akumulátoru. Kontrolky indikují se na několik sekund rozsvítí.

Kontrolky			Zbývající kapacita
Svítil	Nesvítil	Bliká	
			75 % až 100 %
			50 % až 75 %
			25 % až 50 %
			0 % až 25 %
			Nabijte akumulátor.
			Došlo pravděpodobně k poruše akumulátoru.

POZNÁMKA: Kapacita udávaná indikátorem se může mírně lišit od skutečné kapacity v závislosti na podmínkách používání a teplotě prostředí.

Zajišťovací tlačítka

▲ UPOZORNĚNÍ: Před vložením akumulátoru do nářadí vždy zkontrolujte správnou funkci spouště, a zda se po uvolnění vrací do vypnuté polohy.

▲ UPOZORNĚNÍ: Pokud nářadí nepoužíváte, zablokujte spoušť ve vypnuté poloze stisknutím zajišťovacího tlačítka ze strany B.

► Obr.3: 1. Zajišťovací tlačítko 2. Spoušť

► Obr.4

K zamezení náhodného stisknutí spouště je zařízení vybaveno zajišťovacím tlačítkem spouště. Chcete-li stisknout spoušť, stiskněte zajišťovací tlačítko spouště ze strany A.

Po použití vždy zamáčkněte zajišťovací tlačítko ze strany B.

Nastavení hloubky přibíjení

▲ VAROVÁNÍ: Před nastavením hloubky přibíjení se vždy ujistěte, že se vaše prsty nenacházejí na spoušti nebo na kontaktním prvku a že je vydán akumulátor.

U této hřebíkovačky lze nastavit hloubku přibíjení. Nastavení hloubky přibíjení provedete otáčením regulátoru. Hloubka přibíjení je největší při nastavení regulátoru nadoraz ve směru šipky A podle uvedeného obrázku. Měličho přibíjení docílíte otáčením regulátoru ve směru šipky B. Maximální hloubka, kterou lze nastavit, je 2,5 mm.

► Obr.5: 1. Regulátor

► Obr.6: 1. Příliš hluboko 2. V rovině 3. Příliš mělce

Rozsvícení světla

▲ UPOZORNĚNÍ: Nedívejte přímo do světla nebo jeho zdroje.

Světlo rozsvítíte stisknutím spouště nebo aktivací kontaktního prvku. Světlo zůstává rozsvíceno při stisknutí spouště nebo aktivaci kontaktního prvku. Světlo zhasne přibližně 10 sekund po uvolnění spouště a kontaktního prvku.

► Obr.7: 1. Světlo

POZNÁMKA: K očištění nečistot ze skla světla použijte suchý hadřík. Dbejte, abyste sklo světla nepoškrábali. Mohlo by dojít ke snížení svítivosti.

POZNÁMKA: Není-li k dispozici dostatečné napětí, může se světlo rozsvítit, ale hřebíkovačka přesto nebude nastřelovat hřebíky. V takovém případě dobijte akumulátor.

POZNÁMKA: Jestliže hřebíkovačka během nastřelování hřebíku detekuje chybu, světlo začne blikat. V takovém případě odnesete hřebíkovačku do továrního servisního střediska.

SESTAVENÍ

▲ UPOZORNĚNÍ: Před prováděním jakékoli práce na hřebíkovačce se vždy ujistěte, že se vaše prsty nenacházejí na spoušti nebo na kontaktním prvku a že je akumulátor vyjmutý.

Vkládání nebo vyjímání hřebíků

▲ UPOZORNĚNÍ: Před vložením hřebíků do hřebíkovačky se vždy ujistěte, že se vaše prsty nenacházejí na spoušti a že je akumulátor vyjmutý.

▲ UPOZORNĚNÍ: Posuvná dvířka na hřebíkovačce naplněné hřebíky neodsouvejte prudce. Náhodné upuštění hřebíků může obzvláště při práci ve výškách způsobit zranění.

▲ UPOZORNĚNÍ: Hřebíky vkládejte správným směrem. Jejich vložením chybným směrem můžete způsobit předčasné opotřebení nastřelovače a poškodit další části.

▲ UPOZORNĚNÍ: Nepoužívejte deformované pásy s hřebíky. Používejte hřebíky určené v této příručce. Používání jiných než určených hřebíků může způsobit zaseknutí hřebíku a poruchu hřebíkovačky.

1. Stiskněte zajišťovací páčku a otevřete posuvná dvířka zásobníku.

► Obr.8: 1. Zajišťovací páčka 2. Posuvná dvířka 3. Vodičko nastřelovače 4. Zásobník

2. Přiložte pás s hřebíky tak, aby se špičky hřebíků dotýkaly spodku zásobníku a poté posuňte pás s hřebíky směrem k vystřelovacímu otvoru.

► Obr.9: 1. Hřebíky 2. Posuvná dvířka 3. Vodičko nastřelovače

3. Vraťte posuvná dvířka do původní polohy, dokud je zajišťovací páčka nezajistí.

Chcete-li hřebíky vyjmout, stiskněte zajišťovací páčku a posuňte posuvná dvířka. Vyjměte hřebíky ze zásobníku.

Přední adaptér

⚠ UPOZORNĚNÍ: Před instalaci předního adaptéru se vždy ujistěte, že se vaše prsty nenacházejí na spoušti nebo na kontaktním prvku, a že je akumulátor vyjmutý.

Při nastřelování hřebíků do materiálu s citlivým povrchem použijte přední adaptér. Chcete-li namontovat přední adaptér, vložte ho na konec krytu vodička nastřelovače. Přední adaptér můžete umístit do držáku na zadní straně zásobníku, aby se neztratil.

► **Obr.10:** 1. Přední adaptér 2. Držák

Háček

⚠ UPOZORNĚNÍ: Nezavěšujte háček za opasek.

Při pádu hřebíkovačky po náhodném uvolnění háčku z opasku by mohlo dojít k nechtěnému vystřelení a následnému zranění.

► **Obr.11**

Háček je vhodný k dočasnému pověšení nářadí. Lze jej nainstalovat na obou stranách nářadí.

Při instalaci háčku jej vložte do drážky na jedné ze stran krytu nářadí a zajistěte jej šroubem. Chcete-li jej odstranit, uvolněte šroub a vyjměte jej.

► **Obr.12:** 1. Drážka 2. Háček 3. Šroub

Uložení šestihřanného klíče

Není-li používán, uložte šestihřanný klíč, jak je ilustrováno na obrázku. Přejdete tak jeho ztrátě.

► **Obr.13:** 1. Šestihřanný klíč

PRÁCE S NÁŘADÍM

Ověření funkčnosti bezpečnostního systému

⚠ VAROVÁNÍ: Před uvedením do provozu se ujistěte, že jsou všechny bezpečnostní systémy plně funkční. V opačném případě by mohlo dojít ke zranění.

► **Obr.14:** 1. Zajišťovací tlačítko 2. Spoušť 3. Kontaktní prvek 4. Zásobník

Před zahájením provozu ověřte následujícím způsobem funkčnost bezpečnostních systémů.

1. Vyndejte z nářadí hřebíky a zásobník nechte otevřený.
2. Vložte akumulátor a uvolněte zajišťovací tlačítko.
3. Stiskněte spoušť, aniž byste se dotkli kontaktním prvkem materiálu.
4. Dotkněte se kontaktním prvkem materiálu, aniž byste stisknuli spoušť.

Pokud ve výše uvedených bodech 3 a 4 nářadí pracuje, bezpečnostní systémy jsou vadné. Přestaňte nářadí ihned používat a obraťte se na místní servisní středisko.

Nastřelování hřebíků

⚠ VAROVÁNÍ: Nepřestávejte pevně tisknout kontaktní prvek na materiál, dokud není proces nastřelení hřebíku úplný. Nechtěné vystřelení může způsobit zranění.

1. Uvolněte pojistku spouště.
 2. Přiložte kontaktní prvek na materiál.
 3. Hřebík nastřelíte úplným stisknutím spouště.
 4. Chcete-li nastřelit další hřebík, uvolněte jednou prst ze spouště a poté opakujte kroky 2 a 3 uvedené výše.
- **Obr.15:** 1. Spoušť 2. Kontaktní prvek

Hřebíky můžete nastřelovat i tak, že posunete nástroj na další místo s kontaktním prvkem přitisknutým k materiálu a stisknete spoušť.

► **Obr.16**

Pokud hlava hřebíku zůstane nad povrchem dílu, nastřelte hřebík tak, že přitom budete pevně držet hlavu hřebíkovačky na dílu.

► **Obr.17**

POZNÁMKA: Pokud hlava hřebíku zůstane i nadále nad povrchem dílu, i když hlavu hřebíkovačky pevně držíte, používáte pravděpodobně nevhodný materiál. Opakované používání hřebíkovačky na nevhodném materiálu může způsobit poškození hnacího ústrojí hřebíkovačky nebo její zaseknutí.

Mechanismus zabraňující nechtěnému spuštění

⚠ VAROVÁNÍ: Před vložením hřebíků do hřebíkovačky se vždy ujistěte, že se vaše prsty nenacházejí na spoušti nebo na kontaktním prvku a že je akumulátor vyjmutý.

Když jsou pásy s hřebíky v zásobníku prázdné, spoušť již nelze stisknout. V takovém případě vložte do zásobníku nový pás s hřebíky. Spoušť lze nyní opět stisknout.

Kontrola zbývajících hřebíků

Množství zbývajících hřebíků lze zjistit přes průzor. Jak se počet zbývajících hřebíků snižuje, červený indikátor se posunuje směrem k otvoru pro nastřelování.

► **Obr.18:** 1. Průzor 2. Ukazatel

Vyjmutí zaseknutých hřebíků

⚠ VAROVÁNÍ: Před vyjmutím zaseknutých hřebíků se vždy nejprve ujistěte, že spoušť není stisknuta a že akumulátor a hřebíky jsou vyjmuté.

⚠ UPOZORNĚNÍ: Zaseknuté hřebíky neodstraňujte holými rukama. Hřebík může vyskočit ze zásobníku a způsobit zranění.

Šestihřanným klíčem vyšroubujte šrouby s šestihřannou hlavou na krytu vodička nastřelovače.

Z drážky vedení hřebíku vyjměte pomocí plochého šroubováku zaseknuté hřebíky.

Zajistěte kryt vodička nastřelovače pomocí šroubů s šestihřannou hlavou.

► **Obr.19:** 1. Kryt vodička nastřelovače 2. Šroub s šestihřannou hlavou

POZNÁMKA: Po zajištění krytu vodítka nastřelovače se ujistěte, že funguje správně. Jestliže kryt vodítka nastřelovače správně nefunguje, vyšroubujte šrouby s šestihrannou hlavou a namontujte jej znovu.

ÚDRŽBA

⚠ UPOZORNĚNÍ: Před zahájením kontroly nebo údržby nářadí se vždy ujistěte, zda je vypnuté a je vyjmut akumulátor.

POZOR: Nikdy nepoužívejte benzín, benzen, ředidlo, alkohol či podobné prostředky. Mohlo by tak dojít ke změnám barvy, deformacím či vzniku prasklin.

K zachování BEZPEČNOSTI a SPOLEHLIVOSTI výrobku musí být opravy a veškerá další údržba či seřizování prováděny autorizovanými nebo továrními servisními středisky společnosti Makita s využitím náhradních dílů Makita.

VOLITELNÉ PŘÍSLUŠENSTVÍ

⚠ UPOZORNĚNÍ: Pro nářadí Makita popsané v tomto návodu doporučujeme používat následující příslušenství a nástavce. Při použití jiného příslušenství či nástavců může hrozit nebezpečí zranění osob. Příslušenství lze používat pouze pro stanovené účely.

Potřebujete-li bližší informace ohledně tohoto příslušenství, obraťte se na místní servisní středisko společnosti Makita.

- Hřebíky
- Originální akumulátor a nabíječka Makita
- Ochranné brýle

POZNÁMKA: Některé položky seznamu mohou být k nářadí přibaleny jako standardní příslušenství. Přibalené příslušenství se může v různých zemích lišit.

ТЕХНІЧНІ ХАРАКТЕРИСТИКИ

Модель:	DFN350
Розмір цвяха	18Ga × 15, 20, 25, 30, 35 мм
Місткість магазину для цвяхів	100 шт.
Розміри з BL1860B, без гака (Д × Ш × В)	257 мм × 79 мм × 228 мм
Номінальна напруга	18 В пост. струму
Маса нетто	2,4 кг

- Оскільки наша програма наукових досліджень і розробок триває безперервно, наведені тут технічні характеристики можуть бути змінені без попередження.
- Технічні характеристики приладу та касета з акумулятором можуть відрізнятися в різних країнах.
- Вага може відрізнятися залежно від допоміжного обладнання, наприклад касети з акумулятором. Найлегші та найважчі комплекти, відповідно до стандарту ЕРТА (Європейська асоціація виробників електроінструменту) від січня 01/2014 року, представлено в таблиці.

Застосовна касета з акумулятором

BL1815 / BL1815N / BL1820 / BL1820B / BL1830 / BL1830B / BL1840 / BL1840B / BL1850 / BL1850B / BL1860B

- Деякі касети з акумулятором, які вказано вище, можуть бути недоступними залежно від вашого регіону або місця перебування.

⚠ ПОПЕРЕДЖЕННЯ: Використовуйте лише касети з акумулятором, перелічені вище. Використання будь-яких інших касет з акумулятором може призвести до травмування й/або пожежі.

Призначення

Цей інструмент призначений для кріплення деталей із м'якої деревини.

Шум

Рівень шуму за шкалою А в типовому виконанні, визначений відповідно до стандарту EN60745-2-16:
 Рівень звукового тиску (L_{pA}): 81 дБ (А)
 Рівень звукової потужності (L_{WA}): 92 дБ (А)
 Похибка (К): 3 дБ (А)

ПРИМІТКА: Заявлене значення шуму було виміряно відповідно до стандартних методів тестування й може використовуватися для порівняння одного інструмента з іншим.

ПРИМІТКА: Заявлене значення шуму може також використовуватися для попереднього оцінювання впливу.

⚠ ПОПЕРЕДЖЕННЯ: Користуйтеся засобами захисту органів слуху.

⚠ ПОПЕРЕДЖЕННЯ: Залежно від умов використання рівень шуму під час фактичної роботи електроінструмента може відрізнятися від заявленого значення вібрації; особливо сильно на це впливає тип деталі, що оброблюється.

⚠ ПОПЕРЕДЖЕННЯ: Забезпечте належні запобіжні заходи для захисту оператора, що відповідатимуть умовам використання інструмента (слід брати до уваги всі складові робочого циклу, як-от час, коли інструмент вимкнено та коли він починає працювати на холостому ході під час запуску).

Вібрація

Загальна величина вібрації, визначена відповідно до EN60745-2-16:
 Вібрація (a_h): 2,5 м/с² або менше
 Похибка (К): 1,5 м/с²

ПРИМІТКА: Заявлене загальне значення вібрації було виміряно відповідно до стандартних методів тестування й може використовуватися для порівняння одного інструмента з іншим.

ПРИМІТКА: Заявлене загальне значення вібрації може також використовуватися для попереднього оцінювання впливу.

⚠ ПОПЕРЕДЖЕННЯ: Залежно від умов використання вібрація під час фактичної роботи електроінструмента може відрізнятися від заявленого значення вібрації; особливо сильно на це впливає тип деталі, що оброблюється.

⚠ ПОПЕРЕДЖЕННЯ: Забезпечте належні запобіжні заходи для захисту оператора, що відповідатимуть умовам використання інструмента (слід брати до уваги всі складові робочого циклу, як-от час, коли інструмент вимкнено та коли він починає працювати на холостому ході під час запуску).

Декларація про відповідність стандартам ЄС

Тільки для країн Європи

Декларацію про відповідність стандартам ЄС наведено в Додатку А до цієї інструкції з експлуатації.

ПОПЕРЕДЖЕННЯ ПРО ДОТРИМАННЯ ТЕХНІКИ БЕЗПЕКИ

Загальні застереження щодо техніки безпеки при роботі з електроінструментами

⚠ ПОПЕРЕДЖЕННЯ: Уважно ознайомтеся з усіма попередженнями про дотримання правил техніки безпеки, інструкціями, ілюстраціями та технічними характеристиками, що стосуються цього електроінструмента. Невиконання будь-яких інструкцій, перелічених нижче, може призвести до ураження електричним струмом, пожежі та/або тяжких травм.

Збережіть усі інструкції з техніки безпеки та експлуатації на майбутнє.

Термін «електроінструмент», зазначений у інструкції з техніки безпеки, стосується електроінструмента, який функціонує від електромережі (електроінструмент з кабелем живлення), або електроінструмента з живленням від батареї (безпроводний електроінструмент).

Попередження про необхідну обережність під час роботи з акумуляторним цвяхозабивним інструментом

1. **Завжди пам'ятайте, що в інструменті знаходяться кріпильні вироби.** Необережне поводження із цвяхозабивним інструментом може призвести до несподіваного вистрілювання кріпильних виробів і поранення людей.
2. **Не спрямовуйте інструмент на себе чи будь-кого поряд з вами.** Випадкове натискання на курок приведе до вистрілювання кріпильного виробу, що може спричинити травму.
3. **Вмикайте інструмент лише тоді, коли його міцно притиснуто до робочої поверхні.** Якщо інструмент не буде міцно притиснуто до робочої поверхні, кріпильний виріб може відхилитися від потрібного напрямку.
4. **Від'єднайте інструмент від мережі живлення, якщо в ньому застряг кріпильний виріб.** Під час виймання застряглого кріпильного виробу цвяхозабивний інструмент може випадково ввімкнутися, якщо його підключено до мережі живлення.
5. **Виймайте застряглий кріпильний виріб обережно.** Механізм може знаходитися в стиснутому стані, і кріпильний виріб може бути примусово випущений з випускного отвору, коли ви будете намагатися витягти його.

6. **Не використовуйте цей цвяхозабивний інструмент для закріплення електричних кабелів.** Він не призначений для прокладання електричних кабелів і може пошкодити їх ізоляцію, що може призвести до ураження електричним струмом або до пожежі.
7. **Не наближайте руки та ноги до зони випускного отвору.**
8. **Дотримуйтесь інструкції щодо змащення та заміни оснащення.**
9. **Завжди слід знімати касету з акумулятором перед встановленням кріпильних виробів, регулюванням, перевіркою та технічним обслуговуванням або після завершення роботи.**
10. **Перед початком роботи переконайтеся, що нікого немає поруч. Ніколи не намагайтеся забивати кріпильні вироби одночасно з обох боків стіни. Кріпильні вироби можуть пробити робочу поверхню та/або відлетіти, спричинивши серйозну небезпеку.**
11. **Під час роботи з інструментом необхідно забезпечити надійну опору та утримувати рівновагу. Під час роботи нагорі слід стежити, щоб нікого не було внизу.**
12. **Забороною використовувати інструменти для вкручування кріпильних деталей із маркуванням «Не використовувати на риштуваннях та драбинах» з метою проведення відповідних робіт, як-от:**
 - якщо при переході з одного положення до іншого необхідно скористатися риштуванням, сходами, драбинами чи подібними конструкціями, наприклад даховими сходишками;
 - при збиранні коробок або ящиків;
 - при скріпленні транспортних систем безпеки, наприклад на транспортних засобах або вагонетках.
13. **Уважно оглядайте стіни, стелю, підлогу тощо, щоб уникнути можливого ураження електричним струмом, витоків газу, вибуху тощо внаслідок забивання скоб у дроти під напругою, кабелепроводи або газопроводи.**
14. **Використовуйте лише кріпильні вироби, зазначені в цьому посібнику. Використання будь-яких інших кріпильних виробів може призвести до виходу інструмента з ладу.**
15. **Не слід порушувати цілісність інструмента або намагатися використовувати його за іншим призначенням, ніж для забивання кріпильних виробів.**
16. **Не слід експлуатувати інструмент без кріпильних виробів. Це скорочує тривалість експлуатації інструмента.**
17. **Якщо ви помітили щось ненормальне в роботі інструмента, негайно припиніть забивання.**
18. **Ніколи не забувайте кріпильні вироби в матеріал, який вони можуть прорвати та з якого вони можуть вилетіти, як куля.**
19. **Ніколи не натискайте курок вмикача та контактний елемент одночасно, доки ви не будете готові скріплювати деталі. Деталь повинна натиснути на контактний елемент. Ніколи не слід закріплювати контактний елемент назад або натискати на нього рукою.**

20. Ніколи не порушуйте цілісність контактного елемента. Якомога частіше перевіряйте правильність функціонування контактного елемента.
21. Завжди виймайте кріпильні вироби з інструмента, коли він не використовується.

ЗБЕРІГАЙТЕ ЦІ ВКАЗІВКИ.

▲ ПОПЕРЕДЖЕННЯ: НІКОЛИ НЕ втрачайте пильності та не розслабляйтеся під час користування виробом (що можливо при частому користуванні); обов'язково строго дотримуйтеся відповідних правил безпеки. **НЕНАЛЕЖНЕ ВИКОРИСТАННЯ** або недотримання правил техніки безпеки, викладених у цій інструкції з експлуатації, може призвести до серйозних травм.

Важливі інструкції з безпеки для касети з акумулятором

1. Перед тим як користуватися касетою з акумулятором, слід прочитати всі інструкції та застережні знаки щодо (1) зарядного пристрою акумулятора, (2) акумулятора та (3) виробів, що працюють від акумулятора.
2. Не слід розбирати касету з акумулятором.
3. Якщо період роботи дуже покоротшав, слід негайно припинити користування. Це може призвести до виникнення ризику перегріву, опіку та навіть вибуху.
4. У разі потрапляння електроліту в очі слід промити їх чистою водою та негайно звернутися до лікаря. Це може призвести до втрати зору.
5. Не закоротіть касету з акумулятором.
 - (1) Не слід торкатися клем будь-яким струмопровідним матеріалом.
 - (2) Не слід зберігати касету з акумулятором у ємності з іншими металевими предметами, такими як цвяхи, монети тощо.
 - (3) Не залишайте касету з акумулятором під дощем, запобігайте контакту з водою.

Коротке замикання може призвести до появи значного струму, перегріву, можливих опіків та навіть виходу з ладу.
6. Не слід зберігати інструмент та касету з акумулятором в місцях, де температура може сягнути чи перевищити 50°C (122°F).
7. Не слід спалювати касету з акумулятором, навіть якщо вона була неодноразово пошкоджена або повністю спрацьована. Касета з акумулятором може вибухнути у вогні.
8. Не слід кидати або ударяти акумулятор.
9. Не слід використовувати пошкоджений акумулятор.

10. Літій-іонні акумулятори, що містяться в інструменті, мають відповідати вимогам законів про небезпечні товари. Під час транспортування за допомогою комерційних перевезень, наприклад із залученням третьої сторони та експедиторів, необхідно дотримуватись особливих вимог, вказаних на пакуванні й у маркуванні. Під час підготування позиції до відправлення необхідно проконсультуватись зі спеціалістом з небезпечних матеріалів. Крім того, слід виконувати більш докладні національні настанови, якщо такі є. Заклейте відкриті контакти стрічкою або заховайте їх і запакуйте акумулятор таким чином, щоб він не міг рухатися в пакуванні.
11. Дотримуйтеся норм місцевого законодавства щодо утилізації акумуляторів.
12. Використовуйте акумулятори лише з виробами, указаними компанією Makita. Установлення акумуляторів у невідповідні вироби може призвести до пожежі, надмірного нагрівання, вибуху чи витoku електроліту.

ЗБЕРІГАЙТЕ ЦІ ВКАЗІВКИ.

▲ ОБЕРЕЖНО: Використовуйте тільки акумулятори Makita. Використання акумуляторів, інших ніж оригінальні акумулятори Makita, або акумуляторів, конструкцію яких було змінено, може призвести до вибуху акумулятора і спричинити пожежу, травму або пошкодження. У зв'язку з цим також буде анульовано гарантію Makita на інструмент Makita і на зарядний пристрій.

Поради з забезпечення максимального строку експлуатації акумулятора

1. Касету з акумулятором слід заряджати до того, як він розрядиться повністю. Завжди слід зупиняти роботу інструмента та зарядити акумулятор, якщо ви помітили зменшення потужності інструмента.
2. Ніколи не слід заряджати повторно повністю заряджену касету з акумулятором. Перезарядження скорочує строк експлуатації акумулятора.
3. Заряджайте касету з акумулятором при кімнатній температурі 10°C—40°C (50°F—104°F). Перед тим як заряджати касету з акумулятором, слід зачекати, доки вона охолоне.
4. Якщо касета з акумулятором не використовувалася тривалий час (понад шість місяців), її слід зарядити.

ОПИС РОБОТИ

⚠ОБЕРЕЖНО: Обов'язково переконайтеся, що прилад вимкнено, а касету з акумулятором знято, перед регулюванням або перевіркою функціонування інструмента.

Встановлення та зняття касети з акумулятором

⚠ОБЕРЕЖНО: Завжди вимикайте інструмент перед встановленням або зняттям касети з акумулятором.

⚠ОБЕРЕЖНО: Під час встановлення або зняття касети з акумулятором слід міцно тримати інструмент та касету з акумулятором. Якщо ви утримуватимете інструмент та касету з акумулятором недостатньо міцно, вони можуть вислизнути з рук, що може призвести до пошкодження інструмента та касети з акумулятором або може спричинити травми.

► **Рис.1:** 1. Червоний індикатор 2. Кнопка 3. Касета з акумулятором

Щоб зняти касету з акумулятором, слід витягнути її з інструмента, натиснувши на кнопку в передній частині касети.

Щоб установити касету з акумулятором, слід сумістити виступ на касеті з акумулятором із пазом у корпусі та вставити касету на місце. Її необхідно вставити повністю, аж доки не почуєте клацання. Якщо на верхній частині кнопки помітний червоний індикатор, це означає, що касета з акумулятором установлена не до кінця.

⚠ОБЕРЕЖНО: Завжди вставляйте касету з акумулятором повністю, аж поки червоний індикатор стане невидимим. Якщо цього не зробити, касета може випадково випасти з інструмента та завдати травми вам або людям, що знаходяться поряд.

⚠ОБЕРЕЖНО: Не встановлюйте касету з акумулятором із зусиллям. Якщо касета не вставляється легко, то це означає, що ви її неправильно вставляєте.

Система захисту інструмента/акумулятора

Інструмент оснащено системою захисту інструмента/акумулятора. Ця система автоматично вимикає живлення двигуна з метою збільшення терміну служби інструмента та акумулятора. Інструмент автоматично зупиняється під час роботи, якщо інструмент або акумулятор перебувають у зазначених нижче умовах.

Захист від перевантаження

Якщо інструмент/акумулятор використовується в умовах надмірного споживання струму, інструмент автоматично вимикається без будь-якого попередження. У такому разі вимкніть інструмент і припиніть роботу, під час виконання якої інструмент зазнав перевантаження. Щоб перезапустити інструмент, увімкніть його знову.

Захист від перегрівання

Коли інструмент/акумулятор перегріється, інструмент зупиниться автоматично. У такому разі дозвольте інструменту/акумулятору охолонути, перш ніж знову увімкнути інструмент.

Захист від надмірного розрядження















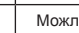

Коли заряд акумулятора стає недостатнім для подальшої роботи, інструмент автоматично зупиняється. У такому випадку вийміть акумулятор з інструмента та зарядіть його.

Відображення залишкового заряду акумулятора

Тільки для касет з акумулятором, які мають індикатори

► **Рис.2:** 1. Індикаторні лампи 2. Кнопка перевірки

Натисніть кнопку перевірки на касеті з акумулятором для відображення залишкового ресурсу акумулятора. Індикаторні лампи загоряться на кілька секунд.

Індикаторні лампи			Залишковий ресурс
 Горить	 Вимк.	 Блимає	
			від 75 до 100%
			від 50 до 75%
			від 25 до 50%
			від 0 до 25%
			Зарядіть акумулятор.
			Можливо, акумулятор вийшов з ладу.
			

ПРИМІТКА: Залежно від умов використання та температури оточуючого середовища показання можуть незначним чином відрізнятися від дійсного ресурсу.

Кнопка блокування курка вмикача

⚠ОБЕРЕЖНО: Перед тим як вставляти касету з акумулятором в інструмент, обов'язково перевірте, чи курок вмикача спрацьовує належним чином та повертається у положення «ВИМК.», коли його відпускають.

⚠ОБЕРЕЖНО: Коли інструмент не використовується, натисніть кнопку блокування курка вмикача з боку В, щоб зафіксувати курок вмикача в положенні ВИМК.

- **Рис.3:** 1. Кнопка блокування курка вмикача
2. Курок вмикача

► **Рис.4**

Для запобігання раптовому натисканню курка вмикача передбачено кнопку блокування курка вмикача. Для натискання курка вмикача натисніть кнопку блокування курка з боку А. Після роботи слід завжди натискати на кнопку блокування курка вмикача з боку В.

Регулювання глибини забивання цвяха

▲ПОПЕРЕДЖЕННЯ: Перед тим, як регулювати глибину забивання, слід переконатися, що ваші пальці не знаходяться на курку вмикача або контактному елементі та що касета з акумулятором вийнята.

У цьому цвяхозабивному пістолеті передбачено регулювання глибини забивання цвяхів. Щоб відрегулювати глибину забивання цвяхів, поверніть регулятор. Глибина забивання цвяхів найбільша, якщо регулятор повністю прокручено в напрямку А, як показано на рисунку. Глибина зменшується в разі прокручування регулятора в напрямку В. Глибину можна регулювати від 2,5 мм до максимуму.

► **Рис.5:** 1. Регулятор

► **Рис.6:** 1. Занадто глибоко 2. Урівень із поверхнею 3. Недостатньо глибоко

Увімкнення підсвічування

▲ОБЕРЕЖНО: Не дивіться на світло або безпосередньо на джерело світла.

Натисніть на курок вмикача або контактний елемент, щоб увімкнути підсвічування. Підсвічування горить, поки курок вмикача або контактний елемент залишається натиснутим. Підсвічування згасне приблизно за 10 секунд після відпускання курка вмикача та контактного елемента.

► **Рис.7:** 1. Лампа

ПРИМІТКА: Для очищення скла лампи підсвічування протріть її сухою тканиною. Будьте обережні, щоб не подряпати скло лампи підсвічування, тому що це погіршить освітлювання.

ПРИМІТКА: Навіть якщо за слабкого заряду акумулятора лампочка горить, цвяхозабивний пістолет може не випускати цвяхи. У такому разі необхідно зарядити касету з акумулятором.

ПРИМІТКА: Якщо під час забивання цвяха за допомогою цвяхозабивного пістолета буде виявлено помилку, лампа почне блимати. У цьому випадку слід передати цвяхозабивний пістолет до сервісного центру підприємства.

ЗБОРКА

▲ОБЕРЕЖНО: Перш ніж виконувати будь-які роботи із цвяхозабивним пістолетом, слід приберти пальці з курка вмикача та контактного елемента й вийняти касету з акумулятором.

Завантаження й виймання цвяхів

▲ОБЕРЕЖНО: Перш ніж заряджати цвяхозабивний пістолет цвяхами, приберіть пальці з перемикача й касети з акумулятором.

▲ОБЕРЕЖНО: Не переміщуйте різким рухом зсувну кришку цвяхозабивного пістолета, зарядженого цвяхами. Випадкове випадіння цвяхів, особливо під час роботи на висоті, може призвести до отримання травм.

▲ОБЕРЕЖНО: Завантажуйте цвяхи в правильному напрямку. Завантажування в неправильному напрямку може призвести до передчасного зношування механізму забивання й пошкодження інших деталей.

▲ОБЕРЕЖНО: Не використовуйте деформовані обойми цвяхів. Використовуйте цвяхи, зазначені в цьому посібнику. Використання цвяхів, не зазначених у цьому посібнику, може призвести до застрягання цвяхів і до виходу цвяхозабивного пістолета з ладу.

1. Натисніть на важіль і відкрийте засувку магазину.

► **Рис.8:** 1. Важіль блокування 2. Засувка 3. Напрямний пристрій 4. Магазин

2. Установіть об'єм цвяхів таким чином, щоб кінці цвяхів торкалися нижньої частини магазину, і посуňte об'єм цвяхів у напрямку до випускного отвору.

► **Рис.9:** 1. Цвяхи 2. Засувка 3. Напрямний пристрій

3. Змістіть засувку в початкове положення до фіксації важелем блокування.

Для видалення цвяхів натисніть важіль блокування й посуňte засувку. Вийміть цвяхи з магазину.

Захисний адаптер

▲ОБЕРЕЖНО: Перед тим, як установлювати захисний адаптер, слід переконатися, що ваші пальці не знаходяться на курку вмикача або контактному елементі та що касета з акумулятором вийнята.

Під час забивання цвяхів у матеріал із поверхнею, яку легко пошкодити, слід використовувати захисний адаптер. Щоб прикріпити захисний адаптер, насуньте його на кришку напрямного пристрою до кінця.

Коли захисний адаптер не використовується, його можна зберігати на тримачі в задній частині магазину, щоб не загубити.

► **Рис.10:** 1. Захисний адаптер 2. Тримач

Гак

⚠ОБЕРЕЖНО: Не вішайте гак на пояс.

Падіння цвяхозабивного пістолета в разі випадкового зіскокування гака може призвести до ненавмисного пострілу й травм.

► Рис.11

Гак зручно використовувати для тимчасового підвішування інструмента. Його можна встановлювати на будь-якому боці інструмента.

Щоб встановити гак, вставте його в паз на корпусі інструмента з будь-якого боку та закріпіть за допомогою гвинта. Щоб зняти гак, відпустіть гвинт і витягніть його.

► Рис.12: 1. Паз 2. Гак 3. Гвинт

Зберігання шестигранного ключа

Коли шестигранний ключ не використовується, зберігайте його, як показано на рисунку, щоб він не загубився.

► Рис.13: 1. Шестигранний ключ

РОБОТА

Перевірка системи безпеки

⚠ПОПЕРЕДЖЕННЯ: Перед початком роботи обов'язково перевірте справність усіх систем безпеки. Невиконання цієї вимоги може призвести до отримання травм.

► Рис.14: 1. Кнопка блокування курка вмикача 2. Курок вмикача 3. Контактний елемент 4. Магазин

Перед початком роботи перевірте можливі несправності системи безпеки наступним чином.

1. Витягніть цвяхи з інструмента й тримайте магазин відкритим.
2. Установіть касету з акумулятором і розблокуйте замок курка.
3. Натисніть лише курок вмикача, не торкаючись матеріалу контактним елементом.
4. Торкніться матеріалу лише контактним елементом, не натискаючи курок вмикача.

Якщо у випадках 3 та 4, наведених вище, інструмент працює, це означає, що системи безпеки несправні. негайно припиніть використання інструмента і зверніться до найближчого сервісного центру.

Забивання цвяхів

⚠ПОПЕРЕДЖЕННЯ: Міцно притискайте контактний елемент до матеріалу, доки цвях не буде повністю забито. Випадковий постріл може призвести до травм.

1. Розблокуйте замок курка.
2. Притисніть контактний елемент до матеріалу.
3. Щоб забити цвях, повністю натисніть на курок вмикача.

4. Щоб забити наступний цвях, зніміть палець із курка вмикача й повторіть кроки 2 і 3 вище.

► Рис.15: 1. Курок вмикача 2. Контактний елемент

Також можна забивати цвяхи, перетягуючи інструмент до наступної ділянки таким чином, щоб контактний елемент було притиснуто до матеріалу, і натискаючи курок вмикача.

► Рис.16

Якщо верхня частина цвяха залишається над поверхню деталі, слід забити цвях, міцно притискаючи головку цвяхозабивного пістолета до деталі.

► Рис.17

ПРИМІТКА: Якщо верхня частина цвяха залишається над поверхню деталі навіть у разі притискання головки цвяхозабивного пістолета, це свідчить про те, що такий матеріал може бути непридатним для забивання цвяхів за допомогою цього інструмента. Подальше використання цього цвяхозабивного пістолета для забивання цвяхів у такий матеріал може призвести до виходу з ладу механізму забивання та (або) заклинювання цвяхозабивного пістолета.

Механізм блокування спрацьовування при нестачі скоб

⚠ПОПЕРЕДЖЕННЯ: Перед зарядженням цвяхозабивного пістолета слід прибрати пальці з курка вмикача або контактного елемента й виїняти касету з акумулятором.

Коли в магазині не залишається цвяхів, курок вмикача не натискається. У цьому разі необхідно вставити в магазин нову обійму цвяхів. Після цього курок вмикача можна натискати знову.

Перевірка залишку цвяхів

Перевірити кількість цвяхів, які залишилися, можна через оглядове вікно.

У міру зменшення кількості цвяхів червоний індикатор переміщатиметься до випускного отвору.

► Рис.18: 1. Оглядове вікно 2. Індикатор

Видалення застряглих цвяхів

⚠ПОПЕРЕДЖЕННЯ: Перед видаленням застряглих цвяхів переконайтеся в тому, що перемикач відпущено, а касету з акумулятором і цвяхи виїнято.

⚠ОБЕРЕЖНО: Не видаляйте застрягли цвяхи незахищеними руками. Цвях може випасти з магазину й заподіяти травму.

Видаліть болти із шестигранними головками з кришки напрямного пристрою шестигранним ключем. Виїміть застрягли цвяхи з напрямного паза шліцьовою викруткою.

Закріпіть кришку напрямного пристрою болтами із шестигранними головками.

► Рис.19: 1. Кришка напрямного пристрою 2. Болт із шестигранною головкою

ПРИМІТКА: Закріпивши кришку напрямного пристрою, переконайтеся в правильності її роботи. Якщо вона не працює правильно, видаліть болти із шестигранними головками й установіть на місце кришку напрямного пристрою.

ТЕХНІЧНЕ ОБСЛУГОВУВАННЯ

⚠ ОБЕРЕЖНО: Перед здійсненням перевірки або обслуговування завжди перевіряйте, щоб інструмент був вимкнений, а касета з акумулятором була знята.

УВАГА: Ніколи не використовуйте газолін, бензин, розріджувач, спирт та подібні речовини. Їх використання може призвести до зміни кольору, деформації або появи тріщин.

Для забезпечення БЕЗПЕКИ та НАДІЙНОСТІ продукції, її ремонт, а також роботи з обслуговування або регулювання повинні виконуватись уповноваженими або заводськими сервісними центрами Makita із використанням запчастин виробництва компанії Makita.

ДОДАТКОВЕ ПРИЛАДДЯ

⚠ ОБЕРЕЖНО: Це додаткове та допоміжне обладнання рекомендовано використовувати з інструментом Makita, зазначеним у цій інструкції з експлуатації. Використання будь-якого іншого додаткового та допоміжного обладнання може становити небезпеку травмування. Використовуйте додаткове та допоміжне обладнання лише за призначенням.

У разі необхідності отримати допомогу в більш детальному ознайомленні з оснащенням звертайтеся до місцевого сервісного центру Makita.

- Цвяхи
- Оригінальний акумулятор та зарядний пристрій Makita
- Захисні окуляри

ПРИМІТКА: Деякі елементи списку можуть входити до комплекту інструмента як стандартне приладдя. Вони можуть відрізнятися залежно від країни.

SPECIFICAȚII

Model:	DFN350
Dimensiune cuie	18Ga x 15, 20, 25, 30, 35 mm
Capacitatea magaziei de cuie	100 buc.
Dimensiuni cu BL1860B, fără cârlig (L x l x H)	257 mm x 79 mm x 228 mm
Tensiune nominală	18 V cc.
Greutate netă	2,4 kg

- Datorită programului nostru continuu de cercetare și dezvoltare, specificațiile pot fi modificate fără o notificare prealabilă.
- Specificațiile și cartușul acumulatorului pot diferi de la țară la țară.
- Greutatea poate diferi în funcție de accesoriu(ii), inclusiv cartușul acumulatorului. În tabel se prezintă combinația cea mai ușoară și cea mai grea, conform Procedurii EPTA 01/2014.

Cartușul acumulatorului aplicabil

BL1815 / BL1815N / BL1820 / BL1820B / BL1830 / BL1830B / BL1840 / BL1840B / BL1850 / BL1850B / BL1860B

- Este posibil ca unele cartușe ale acumulatorilor menționate mai sus să nu fie disponibile în funcție de regiunea dvs. de reședință.

⚠️ AVERTIZARE: Utilizați numai cartușele de acumulator enumerate mai sus. Utilizarea oricărui altor cartușe de acumulator poate duce la rănire și/sau incendiu.

Destinația de utilizare

Mașina este destinată fixării lemnului de esență moale.

Zgomot

Nivelul de zgomot normal ponderat A determinat în conformitate cu EN60745-2-16:

Nivel de presiune acustică (L_{pA}): 81 dB(A)

Nivel de putere acustică (L_{WA}): 92 dB (A)

Marjă de eroare (K): 3 dB(A)

NOTĂ: Valoarea (valorile) totală(e) a (ale) emisiilor de zgomot declarate a(u) fost măsurată(e) în conformitate cu o metodă de test standard și poate (pot) fi utilizată(e) pentru compararea unei unelte cu alta.

NOTĂ: Valoarea (valorile) totală(e) a (ale) emisiilor de zgomot declarate poate (pot) fi, de asemenea, utilizată(e) într-o evaluare preliminară a expunerii.

⚠️ AVERTIZARE: Purtați echipament de protecție pentru urechi.

⚠️ AVERTIZARE: Emisiile de zgomot în timpul utilizării efective a unelei electrice poate diferi de valoarea (valorile) nivelului declarat, în funcție de modul în care unealta este utilizată, în special ce fel de piesă este prelucrată.

⚠️ AVERTIZARE: Asigurați-vă că identificați măsurile de siguranță pentru a proteja operatorul, acestea fiind bazate pe o estimare a expunerii în condiții reale de utilizare (luând în considerare toate părțile ciclului de operare, precum timpii în care unealta a fost oprită, sau a funcționat în gol, pe lângă timpul de declanșare).

Vibrații

Valoarea totală a emisiilor de vibrații determinată conform EN60745-2-16:

Emisie de vibrații (a_{h1}): 2,5 m/s² sau mai puțin

Marjă de eroare (K): 1,5 m/s²

NOTĂ: Valoarea (valorile) totală(e) a (ale) nivelului de vibrații declarat a (au) fost măsurată(e) în conformitate cu o metodă de test standard și poate (pot) fi utilizată(e) pentru compararea unei unelte cu alta.

NOTĂ: Valoarea (valorile) totală(e) a (ale) nivelului de vibrații declarat poate (pot) fi, de asemenea, utilizată(e) într-o evaluare preliminară a expunerii.

⚠️ AVERTIZARE: Nivelul de vibrații în timpul utilizării efective a unelei electrice poate diferi de valoarea (valorile) nivelului declarat, în funcție de modul în care unealta este utilizată, în special ce fel de piesă este prelucrată.

⚠️ AVERTIZARE: Asigurați-vă că identificați măsurile de siguranță pentru a proteja operatorul, acestea fiind bazate pe o estimare a expunerii în condiții reale de utilizare (luând în considerare toate părțile ciclului de operare, precum timpii în care unealta a fost oprită, sau a funcționat în gol, pe lângă timpul de declanșare).

Declarație de conformitate CE

Numai pentru țările europene

Declarația de conformitate CE este inclusă ca Anexa A în acest manual de instrucțiuni.

AVERTIZĂRI DE SIGURANȚĂ

Avertismente generale de siguranță pentru mașinile electrice

⚠️ AVERTIZARE: Citiți toate avertismentele privind siguranța, instrucțiunile, ilustrațiile și specificațiile furnizate cu această sculă electrică.

Nerespectarea integrală a instrucțiunilor de mai jos poate cauza electrocutări, incendii și/sau vătămări corporale grave.

Păstrați toate avertismentele și instrucțiunile pentru consultări ulterioare.

Termenul „mașină electrică” din avertizări se referă la mașinile dumneavoastră electrice acționate de la rețea (prin cablu) sau cu acumulator (fără cablu).

Avertismente de siguranță capsator fără fir

1. **Plecați întotdeauna de la presupunerea că mașina conține cuie.** Manipularea neatență a capsatorului poate determina declanșarea cuielor și poate duce la vătămări personale.
2. **Nu îndreptați mașina către dvs. sau către persoanele din jur.** Declanșarea neașteptată va duce la descărcarea dispozitivelor de fixare, provocând vătămări personale.
3. **Nu acționați mașina decât dacă aceasta este poziționată ferm pe piesa de prelucrat.** Dacă mașina nu intră în contact cu piesa de prelucrat, dispozitivul de fixare poate fi deviat de la ținta dvs.
4. **Decuplați mașina de la sursa de alimentare în momentul în care cuiul se blochează în mașină.** În timpul înlăturării cuiului blocat, capsatorul poate fi activat în mod accidental dacă este conectat.
5. **Fiți foarte atenți atunci când înlăturați un dispozitiv de fixare blocat.** Mecanismul poate fi sub comprimare și dispozitivul de fixare se poate descărca cu putere în timp ce încercați să eliberați blocajul.
6. **Nu folosiți acest capsator pentru fixarea cablurilor electrice.** Acesta nu este conceput pentru instalarea cablurilor electrice și poate deteriora izolația cablurilor electrice, cauzând astfel pericole de electrocutare sau de incendiu.
7. **Nu vă apropiați mâinile și picioarele de zona orificiului de evacuare.**
8. **Respectați instrucțiunile de lubrifiere și de schimbare a accesoriilor.**
9. **Scoateți întotdeauna cartușul acumulatorului înainte de a efectua operațiunile de alimentare cu dispozitive de fixare, reglaj, inspecție, întreținere sau după încheierea lucrării.**
10. **Asigurați-vă că nu se află nimeni în apropiere înainte de începerea lucrării.** Nu încercați niciodată să aplicați dispozitivele de fixare simultan din partea interioară și exterioară. Dispozitivele de fixare pot traversa materialul și/sau pot fi proiectate în jur, reprezentând un pericol grav.
11. **Aveți grijă să vă mențineți un echilibru stabil atunci când utilizați mașina.** Asigurați-vă că nu se află nicio persoană dedesubt atunci când lucrați la înălțime.

12. **Nu utilizați niciodată mașini de împușcat cuie marcate cu simbolul „Nu utilizați pe schele, scări” pentru aplicații specifice, de exemplu:**
 - când se trece de la o locație de aplicare la alta, acest lucru implicând folosirea de schele, scări sau construcții similare scârilor, de exemplu grătare de șipci de pe acoperiș;
 - la închiderea de lași sau de cutii;
 - la montarea de sisteme de siguranță la transport, de ex., pe vehicule și pe vagoane.
13. **Verificați cu atenție pereții, tavanul, podeaua, acoperișul și alte asemenea pentru a evita electrocutarea, scurgerile de gaze, exploziile etc. cauzate de înfingerea capselor în cabluri electrice aflate sub tensiune, conducte sau țevi de gaz.**
14. **Utilizați doar dispozitivele de fixare specificate în acest manual.** Utilizarea altor dispozitive de fixare poate conduce la defectarea mașinii.
15. **Nu aduceți modificări mașinii și nu încercați să o utilizați în alte scopuri decât pentru înfingerea dispozitivelor de fixare.**
16. **Nu utilizați mașina fără dispozitive de fixare.** Acest lucru reduce durata de exploatare a mașinii.
17. **Întrerupeți imediat operația de înfigere dacă observați un comportament defectuos sau ieșiți din comun al mașinii.**
18. **Nu introduceți niciodată dispozitive de fixare în materiale care ar putea permite acestora să treacă prin ele și să fie proiectate în jur.**
19. **Nu acționați niciodată concomitent butonul declanșator și elementul de contact dacă nu sunteți pregătit să fixați piesele.** Lăsați piesa să acționeze elementul de contact. **Nu dezactivați niciodată funcția acestuia prin fixarea elementului de contact în poziție retrasă sau prin depresarea acestuia cu mâna.**
20. **Nu deregalați niciodată elementul de contact.** Verificați frecvent funcționarea corectă a elementului de contact.
21. **Scoateți întotdeauna cuiele din mașină atunci când nu o utilizați.**

PĂSTRAȚI ACESTE INSTRUCȚIUNI.

⚠️ AVERTIZARE: NU permiteți comodității și familiarizării cu produsul (obținute prin utilizare repetată) să înlocuiască respectarea strictă a normelor de securitate pentru acest produs. **FOLOSIREA INCORECTĂ** sau nerespectarea normelor de securitate din acest manual de instrucțiuni poate provoca vătămări corporale grave.

Instrucțiuni importante privind siguranța pentru cartușul acumulatorului

1. **Înainte de a folosi cartușul acumulatorului, citiți toate instrucțiunile și atenționările de pe (1) încărcătorul acumulatorului, (2) acumulator și (3) produsul care folosește acumulatorul.**
2. **Nu dezmembrați cartușul acumulatorului.**
3. **Dacă timpul de funcționare s-a redus excesiv, întrerupeți imediat funcționarea.** Aceasta poate prezenta risc de supraîncălzire, posibile arsuri și chiar explozie.
4. **Dacă electrolitul pătrunde în ochi, clătiți bine ochii cu apă curată și consultați imediat un medic.** Există risc de orbire.

5. **Nu scurtcircuitați cartușul acumulatorului:**
 - (1) Nu atingeți bornele cu niciun material conductor.
 - (2) Evitați depozitarea cartușului acumulatorului la un loc cu alte obiecte metalice cum ar fi cuie, monede etc.
 - (3) Nu expuneți cartușul acumulatorului la apă sau ploaie.

Un scurtcircuit al acumulatorului poate provoca un flux puternic de curent electric, supraîncălzire, posibile arsuri și chiar defectarea mașinii.
6. Nu depozitați mașina și cartușul acumulatorului în spații în care temperatura poate atinge sau depăși 50 °C (122 °F).
7. Nu incinerati cartușul acumulatorului chiar dacă acesta este grav deteriorat sau complet uzat. Cartușul acumulatorului poate exploda în foc.
8. Aveți grijă să nu scăpați sau să loviți acumulatorul.
9. Nu utilizați un acumulator deteriorat.
10. **Acumulatorii Li-Ion încorporați se supun cerințelor Legislației privind substanțele periculoase.** Pentru transporturi comerciale, efectuate de exemplu de către părți terțe, expeditori, trebuie respectate cerințele speciale de ambalare și etichetare. Pentru pregătirea articolului care urmează să fie expediat, este necesară consultarea unui expert în materiale periculoase. Vă rugăm să respectați, de asemenea, reglementările naționale, care pot fi mai detaliate. Izolați sau acoperiți contactele deschise și împachetați acumulatorul în așa fel încât să nu se poată mișca în ambalaj.
11. **Respectați normele naționale privind eliminarea la deșeurii a acumulatorului.**
12. **Utilizați acumulatorii numai cu produsele specificate de Makita.** Instalarea acumulatorilor în produse neconforme poate cauza incendii, căldură excesivă, explozii sau scurgeri de electrolit.

PĂSTRAȚI ACESTE INSTRUCȚIUNI.

ATENȚIE: Folosiți numai acumulatori Makita originali. Acumulatorii Makita care nu sunt originali și acumulatorii care au suferit modificări se pot aprinde, provocând incendii, leziuni corporale și daune. De asemenea, anulează garanția oferită de Makita pentru unealta și încărcătorul Makita.

Sfaturi pentru obținerea unei durate maxime de exploatare a acumulatorului

1. Încărcați cartușul acumulatorului înainte de a se descărca complet. Întrerupeți întotdeauna funcționarea mașinii și încărcați cartușul acumulatorului când observați o scădere a puterii mașinii.
2. Nu reîncărcați niciodată un acumulator complet încărcat. Supraîncărcarea va scurta durata de exploatare a acumulatorului.
3. Încărcați cartușul acumulatorului la temperatura camerei, între 10 °C - 40 °C (50 °F - 104 °F). Lăsați un acumulator fierbinte să se răcească înainte de a-l încărca.
4. Încărcați cartușul acumulatorului în cazul în care nu a fost utilizat pe o perioadă mai lungă (mai mult de șase luni).

DESCRIEREA FUNCȚIILOR

ATENȚIE: Asigurați-vă întotdeauna că mașina este oprită și cartușul acumulatorului este scos înainte de a ajusta sau verifica funcționarea mașinii.

Instalarea sau scoaterea cartușului acumulatorului

ATENȚIE: Opriți întotdeauna mașina înainte de montarea sau demontarea cartușului de acumulator.

ATENȚIE: Țineți ferm mașina și cartușul acumulatorului la montarea sau demontarea cartușului. În cazul în care nu țineți ferm mașina și cartușul de acumulator, acestea vă pot aluneca din mâini, rezultând defectarea mașinii și cartușului de acumulator, precum și în accidentări personale.

► Fig. 1: 1. Indicator roșu 2. Buton 3. Cartușul acumulatorului

Pentru a scoate cartușul acumulatorului, glisați-l din mașină în timp ce glisați butonul de pe partea frontală a cartușului.

Pentru a instala cartușul acumulatorului, aliniați limba de pe cartușul acumulatorului cu canelura din carcasă și introduceți-l în locaș. Introduceți-l complet, până când se înclinetează în locaș. Dacă puteți vedea indicatorul roșu din partea superioară a butonului, acesta nu este blocat complet.

ATENȚIE: Instalați întotdeauna cartușul acumulatorului complet, până când indicatorul roșu nu mai este vizibil. În caz contrar, acesta poate cădea accidental din mașină provocând rănirea dumneavoastră sau a persoanelor din jur.

ATENȚIE: Nu forțați cartușul acumulatorului la montare. Dacă acesta nu glisează ușor, înseamnă că a fost introdus incorect.

Sistem de protecție mașină/acumulator

Mașina este prevăzută cu un sistem de protecție mașină/acumulator. Acest sistem întrerupe automat alimentarea motorului pentru a extinde durata de funcționare a mașinii și acumulatorului. Mașina se va opri automat în timpul funcționării dacă mașina sau acumulatorul se află într-una din situațiile următoare:

Protecție la suprasarcină

Când mașina/acumulatorul este utilizată/utilizat într-un mod care duce la un consum exagerat de curent, mașina se va opri automat, fără nicio indicație. În această situație, opriți mașina și aplicația care a dus la suprasolicitarea mașinii. Apoi, reporniți mașina.

Protecție la supraîncălzire

Când mașina/acumulatorul se supraîncălzeste, mașina se oprește automat. În această situație, lăsați mașina/acumulatorul să se răcească înainte de a reporni mașina.

Protecție la supradescărcare

Când capacitatea acumulatorului scade, unealta se oprește automat. În acest caz, scoateți acumulatorul din mașină și încărcați-l.

Indicarea capacității rămase a acumulatorului

Numai pentru cartușe de acumulator cu indicator

► Fig.2: 1. Lămpi indicatoare 2. Buton de verificare

Apăsați butonul de verificare de pe cartușul acumulatorului, astfel încât să se indice capacitățile rămase ale acumulatorului. Lămpile indicatorului vor lumina timp de câteva secunde.

Lămpi indicatoare			Capacitate rămasă
Iluminat	Oprit	Iluminare intermitentă	
■	□	▩	
■ ■ ■ ■			între 75% și 100%
■ ■ ■ □			între 50% și 75%
■ ■ □ □			între 25% și 50%
■ □ □ □			între 0% și 25%
▩ □ □ □			Încărcați acumulatorul.
■ ■ □ □			Este posibil ca acumulatorul să fie defect.
□ □ ■ ■			

NOTĂ: În funcție de condițiile de utilizare și temperatura ambientală, indicația poate fi ușor diferită de capacitatea reală.

Buton de blocare a butonului declanșator

ATENȚIE: Înainte de a introduce cartușul acumulatorului în mașină, verificați întotdeauna dacă butonul declanșator funcționează corect și revine în poziția „OFF” (oprit) când este eliberat.

ATENȚIE: Când nu utilizați mașina, apăsați butonul de blocare a butonului declanșator de pe partea B pentru a bloca butonul declanșator în poziția OPRIT.

► Fig.3: 1. Buton de blocare a butonului declanșator
2. Buton declanșator

► Fig.4

Pentru a preveni tragerea accidentală a butonului declanșator, este prevăzut butonul de blocare a butonului declanșator.

Pentru a trage butonul declanșator, apăsați butonul de blocare a butonului declanșator de pe partea A. După utilizare, apăsați întotdeauna butonul de blocare a butonului declanșator de pe partea B.

Reglarea adâncimii de batere a cuielor

AVERTIZARE: Înainte de a regla adâncimea de batere a cuielor, asigurați-vă întotdeauna că nu aveți degetele poziționate pe butonul declanșator sau pe elementul de contact și cartușul acumulatorului este scos.

Adâncimea de batere a cuielor poate fi reglată pe acest pistol de bătut cuie. Pentru reglarea adâncimii de batere a cuielor, rotiți dispozitivul de reglaj. Adâncimea de batere a cuielor este cea mai mare atunci când dispozitivul de reglaj este rotit complet în direcția A, indicată pe figură. Ea va deveni mai puțin adâncă pe măsură ce dispozitivul de reglaj este rotit în direcția B. Adâncimea poate fi reglată de la 2,5 mm până la nivelul maxim.

► Fig.5: 1. Dispozitiv de reglare

► Fig.6: 1. Prea adânc 2. La nivel 3. Prea puțin adânc

Aprinderea lămpii

ATENȚIE: Nu priviți direct în raza sau în sursa de lumină.

Trageți butonul declanșator sau acționați elementul de contact pentru a aprinde lampa. Lampa continuă să lumineze în timp ce butonul declanșator este tras sau elementul de contact este acționat. Lampa se stinge după aproximativ 10 secunde de la eliberarea butonului declanșator și a elementului de contact.

► Fig.7: 1. Lampă

NOTĂ: Folosiți o lavetă uscată pentru a șterge murdăria de pe lentila lămpii. Aveți grijă să nu zgâriați lentila lămpii deoarece, în caz contrar, iluminarea va fi redusă.

NOTĂ: Atunci când se aprinde lampa și energia rămasă în baterie se reduce, este posibil ca pistolul de bătut cuie să nu descarce cuie. În acest caz, încărcați cartușul acumulatorului.

NOTĂ: Lampa începe să lumineze intermitent dacă pistolul de bătut cuie detectează o eroare în timpul introducerii cuiului. În acest caz, aduceți pistolul de bătut cuie la un centru de service propriu Makita.

ASAMBLARE

ATENȚIE: Înainte de a efectua orice lucrare asupra pistolului de bătut cuie, asigurați-vă întotdeauna că nu țineți degetele pe butonul declanșator sau pe elementul de contact și verificați cartușul acumulatorului pentru a vă asigura că este scos.

Încărcarea sau descărcarea cuielor

⚠️ ATENȚIE: Înainte de a încărca cuie, asigurați-vă întotdeauna că nu aveți degetele poziționate pe butonul declanșator și cartușul acumulatorului este scos.

⚠️ ATENȚIE: Nu glisați brusc ușa culisantă de pe pistolul de bătut cuie atunci când acesta este încărcat cu cuie. Căderea accidentală a cuielor, în special atunci când lucrați la înălțime, poate duce la vătămări corporale.

⚠️ ATENȚIE: Încărcați cuiele în direcția corectă. Încărcarea în direcția greșită poate cauza uzura prematură a dispozitivului de acționare și deteriorarea altor componente.

⚠️ ATENȚIE: Nu utilizați benzi de cuie deformate. Utilizați cuiele specificate în acest manual. Utilizarea altor cuie decât cele specificate poate cauza blocarea cuielor și defectarea pistolului de bătut cuie.

1. Apăsăți pârghia de blocare și deschideți ușa culisantă a magaziei.

► **Fig.8:** 1. Pârghie de blocare 2. Ușă culisantă
3. Ghidaj al dispozitivului de acționare
4. Magazin

2. Instalați o bandă de cuie astfel încât vârfurile cuielor să atingă partea inferioară a magaziei și glisați banda spre deschiderea pentru declanșare.

► **Fig.9:** 1. Cuie 2. Ușă culisantă 3. Ghidaj al dispozitivului de acționare

3. Readuceți ușa culisantă la poziția inițială până când pârghia de blocare o blochează.

Pentru a scoate cuiele, apăsați pârghia de blocare și glisați ușa culisantă. Scoateți cuiele din magazin.

Adaptor de camă

⚠️ ATENȚIE: Înainte de a instala adaptorul de camă, asigurați-vă întotdeauna că nu aveți degetele poziționate pe butonul declanșator sau pe elementul de contact și cartușul acumulatorului este scos.

Atunci când împușcați cuie în materiale care au o suprafață care se zgârie cu ușurință, utilizați adaptorul de camă. Pentru a monta adaptorul de camă, așezați-l pe capacul ghidajului dispozitivului de acționare până la capăt.

Puteți depozita adaptorul de camă în suportul din partea din spate a magaziei pentru a preveni pierderea acestuia.

► **Fig.10:** 1. Adaptor de camă 2. Suport

Cârlig

⚠️ ATENȚIE: Nu agățați cârligul de centura de la brâu. Căderea pistolului de bătut cuie, cauzată de desprinderea accidentală a cârligului, poate provoca declanșarea accidentală și, ca urmare, vătămări corporale.

► **Fig.11**

Cârligul este util pentru suspendarea temporară a mașinii. Acesta poate fi instalat pe oricare latură a mașinii. Pentru a instala cârligul, introduceți-l într-o canelură din carcasa mașinii de pe oricare latură și fixați-l cu un șurub. Pentru demontare, slăbiți șuruburile și apoi scoateți-l.

► **Fig.12:** 1. Canelură 2. Cârlig 3. Șurub

Depozitarea cheii imbus

Atunci când nu este utilizată, depozitați cheia imbus după cum se vede în figură pentru a nu se pierde.

► **Fig.13:** 1. Cheie imbus

OPERAREA

Testarea sistemului de siguranță

⚠️ AVERTIZARE: Asigurați-vă că toate sistemele de siguranță sunt funcționale înainte de utilizare. În caz contrar, există pericol de vătămări corporale.

► **Fig.14:** 1. Buton de blocare a butonului declanșator
2. Buton declanșator 3. Element de contact
4. Magazin

Înainte de utilizare, testați sistemele de siguranță pentru a depista posibila funcționare defectuoasă, după cum urmează.

1. Descărcați cuiele din mașină și țineți magazinul deschis.
2. Instalați cartușul acumulatorului și eliberați butonul de blocare a declanșatorului.
3. Trageți doar butonul declanșator fără a atinge elementul de contact de material.
4. Atingeți doar elementul de contact de material fără a trage de butonul declanșator.

În cazul în care mașina operează în cazurile 3 și 4 de mai sus, sistemele de siguranță sunt defecte. Opriti imediat utilizarea mașinii și consultați centrul de service local.

Introducerea cuielor

⚠️ AVERTIZARE: Continuați să țineți elementul de contact ferm pe material până când cuiul este introdus complet. Declanșarea accidentală poate provoca vătămări corporale.

1. Eliberați butonul de blocare a declanșatorului.
2. Amplasați elementul de contact în poziție orizontală pe material.
3. Acționați complet butonul declanșator pentru a introduce un cui.
4. Pentru a introduce următorul cui, ridicați degetul de pe butonul declanșator o dată, iar apoi repetați pașii 2 și 3 de mai sus.

► **Fig.15:** 1. Buton declanșator 2. Element de contact

De asemenea, puteți introduce cuiele atunci când glisați mașina în zona următoare, cu elementul de contact apăsat pe material și trăgând de butonul declanșator.

► Fig.16

În cazul în care capul cuiului rămâne deasupra suprafeței piesei de prelucrat, introduceți cuiul în timp ce țineți bine capul pistolului de bătut cuie pe piesa de prelucrat.

► Fig.17

NOTĂ: În cazul în care capul cuiului continuă să rămână deasupra suprafeței piesei de prelucrat, chiar dacă îl țineți, este posibil ca materialul să nu fie adecvat pentru pistolul de bătut cuie. Continuarea utilizării pistolului de bătut cuie pe un astfel de material poate cauza deteriorarea dispozitivului de acționare a pistolului de bătut cuie și/sau blocarea pistolului.

Mecanism împotriva declanșării în gol

AVERTIZARE: Înainte de a încărca pistolul de bătut cuie, asigurați-vă întotdeauna că nu aveți degetele poziționate pe butonul declanșator sau pe elementul de contact și cartușul acumulatorului este scos.

Atunci când nu mai există benzi de cuie rămase în magazie, butonul declanșator nu mai poate fi acționat. În acest moment, introduceți o nouă bandă de cuie în magazie. Butonul declanșator poate fi tras din nou.

Verificarea cuielor rămase

Puteți verifica numărul cuielor rămase prin vizor. Indicatorul roșu se deplasează spre deschiderea pentru declanșare pe măsură ce numărul de cuie rămase se micșorează.

► Fig.18: 1. Vizor 2. Indicator

Scoaterea cuielor blocate

AVERTIZARE: Înainte de a scoate cuiele blocate, asigurați-vă întotdeauna că butonul declanșator este eliberat și că ați scos cartușul acumulatorului și cuiele.

ATENȚIE: Nu scoateți cuiele blocate cu mâinile goale. Cuiul poate să sară din magazie și să provoace accidentări.

Scoateți șuruburile cu cap hexagonal de pe capacul ghidajului dispozitivului de acționare utilizând cheia imbus. Scoateți cuiele blocate din canalul de ghidare a cuielor cu o șurubelniță cu cap crestă.

Fixați capacul ghidajului dispozitivului de acționare cu șuruburi cu cap hexagonal.

► Fig.19: 1. Capac al ghidajului dispozitivului de acționare 2. Șurub cu cap hexagonal

NOTĂ: După fixarea capacului ghidajului dispozitivului de acționare, asigurați-vă întotdeauna că acesta funcționează corespunzător. Dacă nu funcționează corespunzător, scoateți șuruburile cu cap hexagonal și instalați capacul ghidajului dispozitivului de acționare din nou.

ÎNȚREȚINERE

ATENȚIE: Asigurați-vă întotdeauna că mașina este oprită și cartușul acumulatorului scos înainte de a executa lucrările de inspecție și întreținere.

NOTĂ: Nu utilizați niciodată gazolină, benzină, diluant, alcool sau alte substanțe asemănătoare. În caz contrar, pot rezulta decolorări, deformări sau fisuri.

Pentru a menține SIGURANȚA și FIABILITATEA produsului, reparațiile și orice alte lucrări de întreținere sau reglare trebuie executate de centre de service Makita autorizate sau proprii, folosind întotdeauna piese de schimb Makita.

ACCESORII OPȚIONALE

ATENȚIE: Folosiți accesoriile sau piesele auxiliare recomandate pentru mașina dumneavoastră Makita în acest manual. Utilizarea oricăror alte accesorii sau piese auxiliare poate prezenta risc de vătămare corporală. Utilizați accesoriile și piesele auxiliare numai în scopul destinat.

Dacă aveți nevoie de asistență sau de mai multe detalii referitoare la aceste accesorii, adresați-vă centrului local de service Makita.

- Cui
- Acumulator și încărcător original Makita
- Ochelari de protecție

NOTĂ: Unele articole din listă pot fi incluse ca accesorii standard în ambalajul de scule. Acestea pot diferi în funcție de țară.

TECHNISCHE DATEN

Modell:	DFN350
Nagelgröße	18Ga x 15, 20, 25, 30, 35 mm
Nagelmagazin-Fassungsvermögen	100 Stück
Abmessungen mit BL1860B, ohne Aufhänger (L x B x H)	257 mm x 79 mm x 228 mm
Nennspannung	18 V Gleichstrom
Nettogewicht	2,4 kg

- Wir behalten uns vor, Änderungen der technischen Daten im Zuge der Entwicklung und des technischen Fortschritts ohne vorherige Ankündigung vorzunehmen.
- Die technischen Daten und der Akku können von Land zu Land unterschiedlich sein.
- Das Gewicht kann abhängig von dem Aufsatz (den Aufsätzen), einschließlich des Akkus, unterschiedlich sein. Die leichteste und die schwerste Kombination, gemäß dem EPTA-Verfahren 01/2014, sind in der Tabelle angegeben.

Zutreffende Akkus

BL1815 / BL1815N / BL1820 / BL1820B / BL1830 / BL1830B / BL1840 / BL1840B / BL1850 / BL1850B / BL1860B

- Einige der oben aufgelisteten Akkus sind je nach Ihrem Wohngebiet eventuell nicht erhältlich.

⚠️ WARNUNG: Verwenden Sie nur die oben aufgeführten Akkus. Bei Verwendung irgendwelcher anderer Akkus besteht Verletzungs- und/oder Brandgefahr.

Vorgesehene Verwendung

Das Werkzeug ist für das Befestigen von Weichholz vorgesehen.

Geräusch

Typischer A-bewerteter Geräuschpegel ermittelt gemäß EN60745-2-16:

Schalldruckpegel (L_{pA}): 81 dB (A)

Schalleistungspegel (L_{WA}): 92 dB (A)

Messunsicherheit (K): 3 dB (A)

HINWEIS: Der (Die) angegebene(n) Schallemissionswert(e) wurde(n) im Einklang mit der Standardprüfmethode gemessen und kann (können) für den Vergleich zwischen Werkzeugen herangezogen werden.

HINWEIS: Der (Die) angegebene(n) Schallemissionswert(e) kann (können) auch für eine Vorbewertung des Gefährdungsgrads verwendet werden.

⚠️ WARNUNG: Einen Gehörschutz tragen.

⚠️ WARNUNG: Die Schallemission während der tatsächlichen Benutzung des Elektrowerkzeugs kann je nach der Benutzungsweise des Werkzeugs, und speziell je nach der Art des bearbeiteten Werkstücks, von dem (den) angegebenen Wert(en) abweichen.

⚠️ WARNUNG: Identifizieren Sie Sicherheitsmaßnahmen zum Schutz des Benutzers anhand einer Schätzung des Gefährdungsgrads unter den tatsächlichen Benutzungsbedingungen (unter Berücksichtigung aller Phasen des Arbeitszyklus, wie z. B. Ausschalt- und Leerlaufzeiten des Werkzeugs zusätzlich zur Betriebszeit).

Schwingungen

Der Schwingungsgesamtwert wurde gemäß EN60745-2-16 ermittelt:

Schwingungsemission (a_h): 2,5 m/s² oder weniger
Messunsicherheit (K): 1,5 m/s²

HINWEIS: Der (Die) angegebene(n) Vibrationsgesamtwert(e) wurde(n) im Einklang mit der Standardprüfmethode gemessen und kann (können) für den Vergleich zwischen Werkzeugen herangezogen werden.

HINWEIS: Der (Die) angegebene(n) Vibrationsgesamtwert(e) kann (können) auch für eine Vorbewertung des Gefährdungsgrads verwendet werden.

⚠️ WARNUNG: Die Vibrationsemission während der tatsächlichen Benutzung des Elektrowerkzeugs kann je nach der Benutzungsweise des Werkzeugs, und speziell je nach der Art des bearbeiteten Werkstücks, von dem (den) angegebenen Emissionswert(en) abweichen.

⚠️ WARNUNG: Identifizieren Sie Sicherheitsmaßnahmen zum Schutz des Benutzers anhand einer Schätzung des Gefährdungsgrads unter den tatsächlichen Benutzungsbedingungen (unter Berücksichtigung aller Phasen des Arbeitszyklus, wie z. B. Ausschalt- und Leerlaufzeiten des Werkzeugs zusätzlich zur Betriebszeit).

EG-Konformitätserklärung

Nur für europäische Länder

Die EG-Konformitätserklärung ist als Anhang A in dieser Bedienungsanleitung enthalten.

SICHERHEITSWARNUNGEN

Allgemeine Sicherheitswarnungen für Elektrowerkzeuge

⚠️ WARNUNG: Lesen Sie alle mit diesem Elektrowerkzeug gelieferten Sicherheitswarnungen, Anweisungen, Abbildungen und technischen Daten durch. Eine Missachtung der unten aufgeführten Anweisungen kann zu einem elektrischen Schlag, Brand und/oder schweren Verletzungen führen.

Bewahren Sie alle Warnungen und Anweisungen für spätere Bezugnahme auf.

Der Ausdruck „Elektrowerkzeug“ in den Warnhinweisen bezieht sich auf Ihr mit Netzstrom (mit Kabel) oder Akku (ohne Kabel) betriebenes Elektrowerkzeug.

Sicherheitswarnungen für Akku-Tacker

- Gehen Sie stets von der Annahme aus, dass das Werkzeug Befestigungselemente enthält.** Achtlose Handhabung des Tackers kann zu unerwartetem Abschluss von Befestigungselementen und daraus resultierenden Personenschäden führen.
- Richten Sie das Werkzeug nicht auf sich oder umstehende Personen.** Unerwartete Auslösung bewirkt Abschluss des Befestigungselements und verursacht eine Verletzung.
- Betätigen Sie das Werkzeug nur, wenn es fest auf das Werkstück aufgesetzt ist.** Ist das Werkzeug nicht mit dem Werkstück in Kontakt, kann das Befestigungselement von Ihrem beabsichtigten Ziel abgelenkt werden.
- Trennen Sie das Werkzeug von der Stromquelle, wenn ein Befestigungselement im Werkzeug klemmt.** Ist der Akku eingesetzt, kann der Tacker beim Entfernen eines klemmenden Befestigungselements versehentlich betätigt werden.
- Lassen Sie beim Entfernen eines klemmenden Befestigungselements Vorsicht walten.** Der Mechanismus kann unter Druck stehen, und das Befestigungselement kann abgeschossen werden, während versucht wird, den Klemmzustand aufzuheben.
- Benutzen Sie diesen Tacker nicht zur Befestigung von elektrischen Kabeln.** Er ist nicht für die Installation von elektrischen Kabeln ausgelegt und kann deren Isolierung beschädigen, was zu einem elektrischen Schlag oder Brand führen kann.
- Halten Sie Hände und Füße vom Bereich der Auswurföffnung fern.**
- Befolgen Sie die Anweisungen für die Schmierung und den Austausch von Zubehör.**
- Nehmen Sie stets den Akku ab, bevor Sie die Befestigungselemente laden, Einstellungen, Überprüfungen, Wartungsarbeiten durchführen, oder nachdem die Arbeit abgeschlossen ist.**
- Vergewissern Sie sich vor der Arbeit, dass keine Personen in der Nähe sind. Versuchen Sie niemals, Befestigungselemente gleichzeitig von der Innen- und Außenseite einer Wand einzutreiben.** Befestigungselemente können durchschlagen und/oder herausfliegen, was eine große Gefahr darstellt.
- Achten Sie beim Arbeiten mit dem Werkzeug auf sicheren Stand und Gleichgewicht. Vergewissern Sie sich bei Arbeiten an hohen Orten, dass sich niemand unterhalb aufhält.**
- Benutzen Sie niemals mit der Aufschrift „Nicht auf Gerüsten, Leitern verwenden“ versehene Tacker für spezifische Anwendungen, wie z. B.:**
 - wenn für einen Arbeitsplatzwechsel Gerüste, Treppen, Leitern oder leiterähnliche Konstruktionen, wie z. B. Dachlatten erforderlich sind;
 - zum Verschließen von Kisten oder Verschlägen;
 - zum Anbringen von Transportsicherheitssystemen z. B. an Fahrzeugen und Wagen.
- Überprüfen Sie Wände, Decken, Fußböden, Dach und dergleichen sorgfältig, um durch Kontakt mit Strom führenden Kabeln, Isolierrohren oder Gasrohren verursachte mögliche elektrische Schläge, Gaslecks, Explosionen usw. zu vermeiden.**
- Verwenden Sie nur die in dieser Anleitung angegebenen Befestigungselemente. Die Verwendung anderer Befestigungselemente kann eine Funktionsstörung des Werkzeugs verursachen.**
- Nehmen Sie keine unerlaubten Änderungen am Werkzeug vor, und versuchen Sie nicht, es für andere Zwecke als Eintreiben von Befestigungselementen zu verwenden.**
- Betreiben Sie das Werkzeug nicht ohne Befestigungselemente. Dadurch wird die Nutzungsdauer des Werkzeugs verkürzt.**
- Brechen Sie Eintreibarbeiten sofort ab, wenn Sie einen Defekt oder etwas Ungewöhnliches am Werkzeug feststellen.**
- Treiben Sie Befestigungselemente niemals in Materialien ein, die das Befestigungselement punktieren und wie ein Geschoss durchbohren kann.**
- Betätigen Sie den Auslöseschalter und das Kontaktelement niemals gleichzeitig, bevor Sie bereit sind, Werkstücke zu befestigen. Lassen Sie das Kontaktelement sich vom Werkstück niederdrücken. Heben Sie den Zweck des Kontaktelements keinesfalls durch Zurückhalten oder Niederdrücken von Hand auf.**

20. Nehmen Sie keine unerlaubten Eingriffe am Kontaktelement vor. Überprüfen Sie das Kontaktelement häufig auf ordnungsgemäßen Betrieb.
21. Entfernen Sie stets die Befestigungselemente vom Werkzeug, wenn es nicht benutzt wird.

DIESE ANWEISUNGEN AUFBEWAHREN.

⚠️ WARNUNG: Lassen Sie sich NICHT durch Bequemlichkeit oder Vertrautheit mit dem Produkt (durch wiederholten Gebrauch erworben) von der strikten Einhaltung der Sicherheitsregeln für das vorliegende Produkt abhalten. MISSBRAUCH oder Missachtung der Sicherheitsvorschriften in dieser Anleitung können schwere Verletzungen verursachen.

Wichtige Sicherheitsanweisungen für Akku

1. Lesen Sie vor der Benutzung des Akkus alle Anweisungen und Warnhinweise, die an (1) Ladegerät, (2) Akku und (3) Akkuwerkzeug angebracht sind.
2. Unterlassen Sie ein Zerlegen des Akkus.
3. Falls die Betriebszeit beträchtlich kürzer geworden ist, stellen Sie den Betrieb sofort ein. Anderenfalls besteht die Gefahr von Überhitzung, möglichen Verbrennungen und sogar einer Explosion.
4. Falls Elektrolyt in Ihre Augen gelangt, waschen Sie sie mit sauberem Wasser aus, und begeben Sie sich unverzüglich in ärztliche Behandlung. Anderenfalls können Sie Ihre Sehkraft verlieren.
5. Der Akku darf nicht kurzgeschlossen werden:
 - (1) Die Kontakte dürfen nicht mit leitfähigem Material berührt werden.
 - (2) Lagern Sie den Akku nicht in einem Behälter zusammen mit anderen Metallgegenständen, wie z. B. Nägel, Münzen usw.
 - (3) Setzen Sie den Akku weder Wasser noch Regen aus.

Ein Kurzschluss des Akkus verursacht starken Stromfluss, der Überhitzung, mögliche Verbrennungen und einen Defekt zur Folge haben kann.
6. Lagern Sie das Werkzeug und den Akku nicht an Orten, an denen die Temperatur 50 °C erreichen oder überschreiten kann.
7. Versuchen Sie niemals, den Akku zu verbrennen, selbst wenn er stark beschädigt oder vollkommen verbraucht ist. Der Akku kann im Feuer explodieren.
8. Achten Sie darauf, dass der Akku nicht fallen gelassen oder Stößen ausgesetzt wird.
9. Benutzen Sie keine beschädigten Akkus.

10. Die enthaltenen Lithium-Ionen-Akkus unterliegen den Anforderungen der Gefahrgut-Gesetzgebung.
Für kommerzielle Transporte, z. B. durch Dritte oder Spediteure, müssen besondere Anforderungen zu Verpackung und Etikettierung beachtet werden.
Zur Vorbereitung des zu transportierenden Artikels ist eine Beratung durch einen Experten für Gefahrgut erforderlich. Bitte beachten Sie möglicherweise ausführlichere nationale Vorschriften. Überkleben oder verdecken Sie offene Kontakte, und verpacken Sie den Akku so, dass er sich in der Verpackung nicht umher bewegen kann.
11. Befolgen Sie die örtlichen Bestimmungen bezüglich der Entsorgung von Akkus.
12. Verwenden Sie die Akkus nur mit den von Makita angegebenen Produkten. Das Einsetzen der Akkus in nicht konforme Produkte kann zu einem Brand, übermäßiger Hitzebildung, einer Explosion oder Auslaufen von Elektrolyt führen.

DIESE ANWEISUNGEN AUFBEWAHREN.

⚠️ VORSICHT: Verwenden Sie nur Original-Makita-Akkus. Die Verwendung von Nicht-Original-Makita-Akkus oder von Akkus, die abgeändert worden sind, kann zum Bersten des Akkus und daraus resultierenden Bränden, Personenschäden und Beschädigung führen. Außerdem wird dadurch die Makita-Garantie für das Makita-Werkzeug und -Ladegerät ungültig.

Hinweise zur Aufrechterhaltung der maximalen Akku-Nutzungsdauer

1. Laden Sie den Akku, bevor er vollkommen erschöpft ist. Schalten Sie das Werkzeug stets aus, und laden Sie den Akku, wenn Sie ein Nachlassen der Werkzeulleistung feststellen.
2. Unterlassen Sie erneutes Laden eines voll aufgeladenen Akkus. Überladen führt zu einer Verkürzung der Nutzungsdauer des Akkus.
3. Laden Sie den Akku bei Raumtemperatur zwischen 10 – 40 °C. Lassen Sie einen heißen Akku abkühlen, bevor Sie ihn laden.
4. Der Akku muss geladen werden, wenn er lange Zeit (länger als sechs Monate) nicht benutzt wird.

FUNKTIONSBESCHREIBUNG

⚠ VORSICHT: Vergewissern Sie sich vor der Durchführung von Einstellungen oder Funktionsprüfungen des Werkzeugs stets, dass das Werkzeug ausgeschaltet und der Akku abgenommen ist.

Anbringen und Abnehmen des Akkus

⚠ VORSICHT: Schalten Sie das Werkzeug stets aus, bevor Sie den Akku anbringen oder abnehmen.

⚠ VORSICHT: Halten Sie das Werkzeug und den Akku beim Anbringen oder Abnehmen des Akkus sicher fest. Wenn Sie das Werkzeug und den Akku nicht sicher festhalten, können sie Ihnen aus der Hand rutschen, was zu einer Beschädigung des Werkzeugs und des Akkus und zu Körperverletzungen führen kann.

► **Abb.1:** 1. Rote Anzeige 2. Knopf 3. Akku

Ziehen Sie den Akku zum Abnehmen vom Werkzeug ab, während Sie den Knopf an der Vorderseite des Akkus verschieben.

Richten Sie zum Anbringen des Akkus dessen Führungsfeder auf die Nut im Gehäuse aus, und schieben Sie den Akku hinein. Schieben Sie ihn vollständig ein, bis er mit einem hörbaren Klicken einrastet. Falls die rote Anzeige an der Oberseite des Knopfes sichtbar ist, ist der Akku nicht vollständig verriegelt.

⚠ VORSICHT: Schieben Sie den Akku stets bis zum Anschlag ein, bis die rote Anzeige nicht mehr sichtbar ist. Andernfalls kann er aus dem Werkzeug herausfallen und Sie oder umstehende Personen verletzen.

⚠ VORSICHT: Unterlassen Sie Gewaltanwendung beim Anbringen des Akkus. Falls der Akku nicht reibungslos hineingleitet, ist er nicht richtig ausgerichtet.

Werkzeug/Akku-Schutzsystem

Das Werkzeug ist mit einem Werkzeug/Akku-Schutzsystem ausgestattet. Dieses System schaltet die Stromversorgung des Motors automatisch ab, um die Lebensdauer von Werkzeug und Akku zu verlängern. Das Werkzeug bleibt während des Betriebs automatisch stehen, wenn das Werkzeug oder der Akku einer der folgenden Bedingungen unterliegt:

Überlastschutz

Wird das Werkzeug/der Akku auf eine Weise benutzt, die eine ungewöhnlich hohe Stromaufnahme bewirkt, bleibt das Werkzeug ohne jegliche Anzeige automatisch stehen. Schalten Sie in dieser Situation das Werkzeug aus, und brechen Sie die Arbeit ab, die eine Überlastung des Werkzeugs verursacht hat. Schalten Sie dann das Werkzeug wieder ein, um es neu zu starten.

Überhitzungsschutz

Wenn das Werkzeug/der Akku überhitzt wird, bleibt das Werkzeug automatisch stehen. Lassen Sie das Werkzeug/den Akku in dieser Situation abkühlen, bevor Sie das Werkzeug wieder einschalten.

Überentladungsschutz

Wenn die Akkukapazität unzureichend wird, bleibt das Werkzeug automatisch stehen. Nehmen Sie in diesem Fall den Akku vom Werkzeug ab, und laden Sie ihn auf.

Anzeigen der Akku-Restkapazität

Nur für Akkus mit Anzeige

► **Abb.2:** 1. Anzeigelampen 2. Prüftaste

Drücken Sie die Prüftaste am Akku, um die Akku-Restkapazität anzuzeigen. Die Anzeigelampen leuchten wenige Sekunden lang auf.

Anzeigelampen			Restkapazität
Erleuchtet	Aus	Blinkend	
■ ■ ■ ■	□ □ □ □	◐ ◐ ◐ ◐	75% bis 100%
■ ■ ■ □	□ □ □ □	◐ ◐ ◐ ◐	50% bis 75%
■ ■ □ □	□ □ □ □	◐ ◐ ◐ ◐	25% bis 50%
■ □ □ □	□ □ □ □	◐ ◐ ◐ ◐	0% bis 25%
◐ □ □ □	□ □ □ □	◐ ◐ ◐ ◐	Den Akku aufladen.
■ ■ □ □	□ □ □ □	◐ ◐ ◐ ◐	Möglicherweise liegt eine Funktionsstörung im Akku vor.

HINWEIS: Abhängig von den Benutzungsbedingungen und der Umgebungstemperatur kann die Anzeige geringfügig von der tatsächlichen Kapazität abweichen.

Auslösersperrknopf

⚠ VORSICHT: Vergewissern Sie sich vor dem Einsetzen des Akkus in das Werkzeug stets, dass der Ein-Aus-Schalter ordnungsgemäß funktioniert und beim Loslassen in die AUS-Stellung zurückkehrt.

⚠ VORSICHT: Wenn Sie das Werkzeug nicht benutzen, drücken Sie den Auslösersperrknopf auf der Seite B hinein, um den Auslöser in der Stellung OFF zu verriegeln.

► **Abb.3:** 1. Auslösersperrknopf 2. Auslöser

► **Abb.4**

Um versehentliche Betätigung des Auslösers zu verhindern, ist das Werkzeug mit einem Auslösersperrknopf ausgestattet.

Um den Auslöser zu betätigen, drücken Sie den Auslösersperrknopf auf der Seite A hinein. Drücken Sie den Auslösersperrknopf nach der Benutzung stets auf der Seite B hinein.

Einstellen der Nageleintreibtiefe

⚠️ WARNUNG: Vergewissern Sie sich immer, dass Ihre Finger nicht auf dem Auslöseschalter oder dem Kontaktelement ruhen, und dass der Akku abgenommen ist, bevor Sie die Nageleintreibtiefe einstellen.

Die Nageleintreibtiefe kann an diesem Nagler eingestellt werden. Zum Einstellen der Nageleintreibtiefe drehen Sie die Einstellvorrichtung. Die Nageleintreibtiefe ist am größten, wenn die Einstellvorrichtung vollständig in Richtung A gedreht wird, wie in der Abbildung gezeigt. Die Nageleintreibtiefe wird geringer, je weiter die Einstellvorrichtung in Richtung B gedreht wird. Die Tiefe kann von 2,5 mm bis Maximaltiefe eingestellt werden.

► **Abb.5:** 1. Einstellvorrichtung

► **Abb.6:** 1. Zu tief 2. Bündig 3. Zu flach

Einschalten der Lampe

⚠️ VORSICHT: Blicken Sie nicht direkt in die Lampe oder die Lichtquelle.

Betätigen Sie den Auslöser oder das Kontaktelement, um die Lampe einzuschalten. Die Lampe bleibt erleuchtet, solange der Auslöser gedrückt oder das Kontaktelement betätigt wird. Die Lampe erlischt ungefähr 10 Sekunden nach dem Loslassen des Auslösers und des Kontaktelements.

► **Abb.7:** 1. Lampe

HINWEIS: Wischen Sie Schmutz auf der Lampenlinse mit einem trockenen Tuch ab. Achten Sie sorgfältig darauf, dass Sie die Lampenlinse nicht verkratzen, weil sich sonst die Lichtstärke verringert.

HINWEIS: Selbst wenn die Lampe bei schwacher Akku-Restleistung aufleuchtet, schießt der Nagler u. U. keine Nägel ab. Laden Sie in diesem Fall den Akku auf.

HINWEIS: Die Lampe beginnt zu blinken, falls der Nagler während des Eintreibens des Nagels einen Fehler erkennt. Bringen Sie den Nagler in diesem Fall zu einem Werks-Servicecenter.

MONTAGE

⚠️ VORSICHT: Vergewissern Sie sich immer, dass Ihre Finger nicht auf dem Auslöseschalter oder dem Kontaktelement ruhen, und dass der Akku abgenommen ist, bevor Sie irgendwelche Arbeiten am Nagler ausführen.

Laden und Entladen der Nägel

⚠️ VORSICHT: Vergewissern Sie sich immer, dass Ihre Finger nicht auf dem Auslöser ruhen, und dass der Akku abgenommen ist, bevor Sie Nägel laden.

⚠️ VORSICHT: Vermeiden Sie abruptes Verschieben der Schiebetür des mit Nägeln gefüllten Naglers. Versehentliches Herunterfallen von Nägeln, besonders beim Arbeiten an hohen Orten, kann Personenschäden verursachen.

⚠️ VORSICHT: Laden Sie Nägel in der korrekten Richtung. Laden in der falschen Richtung kann vorzeitige Abnutzung des Treibers und Beschädigung der übrigen Teile verursachen.

⚠️ VORSICHT: Verwenden Sie keine verformten Nagelgurte. Verwenden Sie nur die in dieser Anleitung angegebenen Nägel. Die Verwendung von anderen Nägeln außer den angegebenen kann Nagelstaus und Bruch des Naglers verursachen.

1. Drücken Sie den Sperrhebel, und öffnen Sie die Schiebetür des Magazins.

► **Abb.8:** 1. Sperrhebel 2. Schiebetür
3. Treiberführung 4. Magazin

2. Legen Sie einen Nagelgurt so ein, dass die Nagelspitzen den Boden des Magazins berühren, und schieben Sie den Nagelgurt auf die Abschussöffnung zu.

► **Abb.9:** 1. Nägel 2. Schiebetür 3. Treiberführung

3. Stellen Sie die Schiebetür wieder auf die Ausgangsposition zurück, bis sie vom Sperrhebel verriegelt wird.

Um die Nägel zu entfernen, drücken Sie den Sperrhebel, und verschieben Sie die Schiebetür. Nehmen Sie die Nägel aus dem Magazin heraus.

Mundstückadapter

⚠️ VORSICHT: Vergewissern Sie sich immer, dass Ihre Finger nicht auf dem Auslöseschalter oder dem Kontaktelement ruhen, und dass der Akku abgenommen ist, bevor Sie den Mundstückadapter montieren.

Wenn Sie Nägel in Material mit empfindlicher Oberfläche eintreiben, verwenden Sie den Mundstückadapter. Um den Mundstückadapter anzubringen, setzen Sie ihn auf die Treiberführungsabdeckung am Ende.

Bewahren Sie den Mundstückadapter am Halter am hinteren Ende des Magazins auf, damit er nicht verloren geht.

► **Abb.10:** 1. Mundstückadapter 2. Halter

Aufhänger

⚠️ VORSICHT: Hängen Sie den Aufhänger nicht in den Hüftgurt ein. Herunterfallen des Naglers, das durch versehentliches Abrutschen des Aufhängers verursacht wird, kann unbeabsichtigtes Abschießen und daraus resultierende Personenschäden verursachen.

► Abb.11

Der Aufhänger ist praktisch, um das Werkzeug vorübergehend aufzuhängen. Dieser kann auf beiden Seiten des Werkzeugs angebracht werden.

Um den Aufhänger anzubringen, führen Sie ihn in die Nut entweder auf der linken oder rechten Seite des Werkzeuggehäuses ein, und sichern Sie ihn dann mit einer Schraube. Um ihn zu entfernen, lösen Sie die Schraube, und nehmen Sie ihn dann heraus.

► **Abb.12:** 1. Nut 2. Aufhänger 3. Schraube

Aufbewahrung des Inbusschlüssels

Der Inbusschlüssel kann an der in der Abbildung gezeigten Stelle aufbewahrt werden, damit er nicht verloren geht.

► **Abb.13:** 1. Inbusschlüssel

BETRIEB

Testen des Sicherheitssystems

⚠️ WARNUNG: Vergewissern Sie sich vor der Benutzung, dass alle Sicherheitssysteme in gutem Betriebszustand sind. Anderenfalls kann es zu Verletzungen kommen.

► **Abb.14:** 1. Auslösersperrenknopf 2. Auslöser 3. Kontaktelement 4. Magazin

Prüfen Sie die Sicherheitssysteme vor dem Betrieb auf mögliche Fehler. Gehen Sie dazu wie folgt vor.

1. Nehmen Sie die Nägel aus dem Werkzeug heraus, und halten Sie das Magazin offen.
2. Setzen Sie den Akku ein, und geben Sie die Auslösersperre frei.
3. Betätigen Sie nur den Auslöser, ohne das Kontaktelement gegen das Material zu halten.
4. Halten Sie nur das Kontaktelement gegen das Material, ohne den Auslöser zu betätigen.

Falls das Werkzeug in den obigen Fällen 3 und 4 betätigt wird, sind die Sicherheitssysteme defekt. Brechen Sie sofort die Benutzung des Werkzeugs ab, und wenden Sie sich an Ihr örtliches Kundenzentrum.

Eintreiben von Nägeln

⚠️ WARNUNG: Halten Sie das Kontaktelement fest gegen das Material gedrückt, bis der Nagel vollständig eingetrieben ist. Unbeabsichtigtes Abschießen kann Personenschäden verursachen.

1. Lassen Sie die Auslösersperre los.
 2. Setzen Sie das Kontaktelement flach auf das Material.
 3. Betätigen Sie den Auslöseschalter vollständig, um einen Nagel einzutreiben.
 4. Um den nächsten Nagel einzutreiben, nehmen Sie Ihren Finger kurz vom Auslöseschalter, und wiederholen Sie dann die obigen Schritte 2 und 3.
- **Abb.15:** 1. Auslöseschalter 2. Kontaktelement

Sie können die Nägel auch eintreiben, wenn Sie das Werkzeug zum nächsten Bereich ziehen, während Sie das Kontaktelement gegen das Material gedrückt halten und den Auslöseschalter betätigen.

► **Abb.16**

Wenn der Kopf des Nagels oberhalb der Werkstückoberfläche bleibt, halten Sie den Nagelkopf beim Eintreiben des Nagels fest gegen das Werkstück gedrückt.

► **Abb.17**

HINWEIS: Wenn der Kopf des Nagels noch immer oberhalb der Werkstückoberfläche bleibt, obwohl Sie den Nagelkopf gedrückt halten, ist das Material möglicherweise nicht für den Nagler geeignet. Fortgesetzter Gebrauch des Naglers auf solchem Material kann zu einer Beschädigung des Naglertreibers und/oder Klemmen des Naglers führen.

Leerschuss-Sicherungsmechanismus

⚠️ WARNUNG: Vergewissern Sie sich immer, dass Ihre Finger nicht auf dem Auslöseschalter oder dem Kontaktelement ruhen, und dass der Akku abgenommen ist, bevor Sie den Nagler laden.

Wenn die Zahl der verbleibenden Nagelgurte im Magazin null erreicht, kann der Auslöseschalter nicht mehr betätigt werden. Legen Sie in diesem Fall einen neuen Nagelgurt in das Magazin ein. Nun kann der Auslöseschalter wieder betätigt werden.

Überprüfen des Nagelvorrats

Sie können den Nagelvorrat durch das Sichtfenster überprüfen.

Je weiter sich der rote Anzeiger auf die Abschussöffnung zu bewegt, desto kleiner wird der Nagelvorrat.

► **Abb.18:** 1. Sichtfenster 2. Anzeiger

Entfernen von gestauten Nägeln

⚠️ WARNUNG: Vergewissern Sie sich immer, dass der Auslöser gelöst ist, und dass der Akku und die Nägel entfernt sind, bevor Sie gestaute Nägel entfernen.

⚠️ VORSICHT: Entfernen Sie die gestauten Nägel nicht mit bloßen Händen. Der Nagel kann aus dem Magazin herauspringen und kann eine Verletzung verursachen.

Entfernen Sie die Innensechskantschrauben an der Treiberführungsabdeckung mit dem Inbusschlüssel. Nehmen Sie die gestauten Nägel mit einem Schlitzschraubendreher aus der Nagelführungsnut heraus.

Sichern Sie die Treiberführungsabdeckung mit Innensechskantschrauben.

► **Abb.19:** 1. Treiberführungsabdeckung 2. Innensechskantschraube

HINWEIS: Vergewissern Sie sich nach der Sicherung der Treiberführungsabdeckung stets, dass die Treiberführungsabdeckung ordnungsgemäß funktioniert. Falls sie nicht ordnungsgemäß funktioniert, entfernen Sie die Innensechskantschrauben, und installieren Sie die Treiberführungsabdeckung erneut.

WARTUNG

⚠ VORSICHT: Vergewissern Sie sich vor der Durchführung von Inspektions- oder Wartungsarbeiten stets, dass das Werkzeug ausgeschaltet und der Akku abgenommen ist.

ANMERKUNG: Verwenden Sie auf keinen Fall Benzin, Waschbenzin, Verdünner, Alkohol oder dergleichen. Solche Mittel können Verfärbung, Verformung oder Rissbildung verursachen.

Um die SICHERHEIT und ZUVERLÄSSIGKEIT dieses Produkts zu gewährleisten, sollten Reparaturen und andere Wartungs- oder Einstellarbeiten nur von Makita-Vertragswerkstätten oder Makita-Kundendienstzentren unter ausschließlicher Verwendung von Makita-Originalersatzteilen ausgeführt werden.

SONDERZUBEHÖR

⚠ VORSICHT: Die folgenden Zubehörteile oder Vorrichtungen werden für den Einsatz mit dem in dieser Anleitung beschriebenen Makita-Werkzeug empfohlen. Die Verwendung anderer Zubehörteile oder Vorrichtungen kann eine Verletzungsgefahr darstellen. Verwenden Sie Zubehörteile oder Vorrichtungen nur für ihren vorgesehenen Zweck.

Wenn Sie weitere Einzelheiten bezüglich dieser Zubehörteile benötigen, wenden Sie sich bitte an Ihre Makita-Kundendienststelle.

- Nägel
- Original-Makita-Akku und -Ladegerät
- Schutzbrille

HINWEIS: Manche Teile in der Liste können als Standardzubehör im Werkzeugsatz enthalten sein. Sie können von Land zu Land unterschiedlich sein.

Makita Europe N.V. Jan-Baptist Vinkstraat 2,
3070 Kortenberg, Belgium

Makita Corporation 3-11-8, Sumiyoshi-cho,
Anjo, Aichi 446-8502 Japan

www.makita.com

885709-976 EN, PL, HU, SK, CS, UK, RO, DE 20190125
