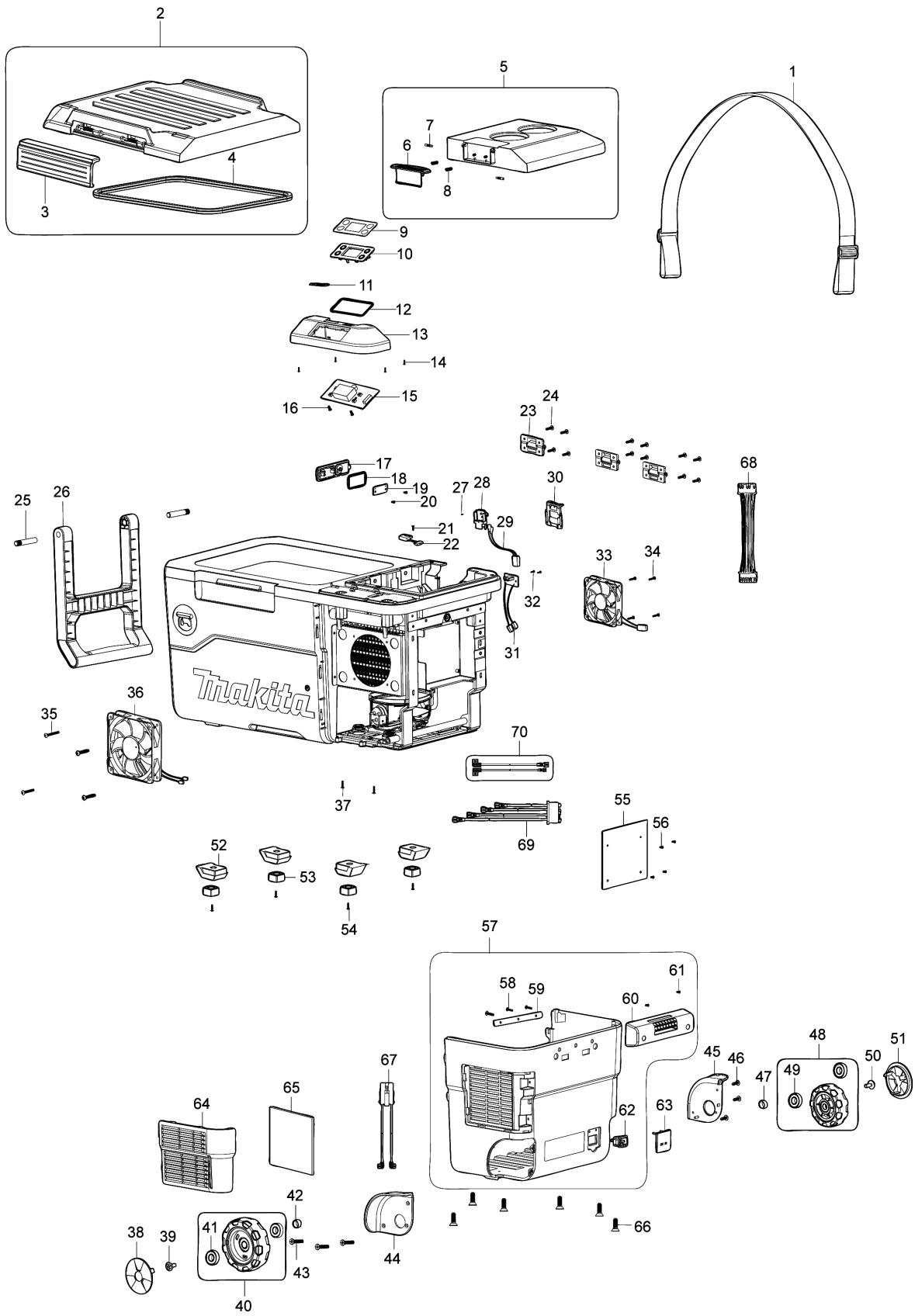


Model No.CW001G CORDLESS COOLER & WARMER BOX



Model No.CW001G CORDLESS COOLER & WARMER BOX

Položka	Objednávacie číslo	Popis	Zmena	ks	New/Old	Možnosť 1	Možnosť 2	Poznámka
001	A-71093	SHOULDER BELT		1				
002	WL00000004	TOP COVER ASSY		1				
D10		INC. 3,4						
003	WL00000005	HANDLE A		1				
004	WL00000006	SEALING		1				
005	WL00000088	BATTERY COVER		1				
D10		INC. 6,7,8						
006	WL00000089	HANDLE B		1				
007	WL00000090	SHAFT		2				
008	WL00000010	COMPRESSION SPRING 5MM		2				
009	WL00000092	CONTROL FILM		1				
010	WL00000093	SWITCH PANEL		1				
011	WL00000094	XGT LABEL		1				
012	WL00000013	SEALING B		1				
013	WL00000095	CONTROL PANEL		1				
014	WL00000015	TAPPING SCREW 3X10		4				
015	WL00000096	CONTROL PCB		1				
016	WL00000017	TAPPING SCREW 3X8		2				
017	WL00000018	THERMOSTAT TOP COVER		1				
018	WL00000019	SEALING C		1				
019	WL00000097	LIGHT BOARD ASSY		1				
020	WL00000017	TAPPING SCREW 3X8		2				
021	WL00000015	TAPPING SCREW 3X10		1				
022	WL00000021	MAGNETIC SWITCH WITH CABLE		1				
023	WL00000022	HINGE		3				
024	WL00000023	TAPPING SCREW 4X16		12				
025	WL00000025	SHAFT 10MM (DRAG HANDLE)		2				
026	WL00000026	DRAG HANDLE		1				
027	WL00000098	SCREWS ST3X8		1				
028	WL00000099	BATTERY TERMINAL		1				
029	WL00000100	LEAD WIRE		1				
030	WL00000101	BATTERY TERMINAL COVER		1				
031	WL00000102	USB PCB		1				
032	WL00000015	TAPPING SCREW 3X10		2				
033	WL00000103	FAN (AIR OUTLET)		1				
034	WL00000104	SCREWS M4X30		4				
035	WL00000104	SCREWS M4X30		4				
036	WL00000030	FAN (AIR INLET) WITH CABLE		1				
037	WL00000023	TAPPING SCREW 4X16		2				
038	WL00000105	WHEEL COVER		1				
039	WL00000032	SCREW M6X16 WITH WASHER		1				
040	WL00000033	WHEEL ASSY		1				
D10		INC. 41						
041	WL00000034	BEARING FOR SHAFT		2				

Model No.CW001G CORDLESS COOLER & WARMER BOX

Položka	Objednávacie číslo	Popis	Zmena	ks	New/Old	Možnosť 1	Možnosť 2	Poznámka
042	WL00000035	SHAFT SLEEVE 12MM		1				
043	WL00000036	COUNTERSUNK TAPPING SCREW 4X12		3				
044	WL00000106	LEFT WHEEL COVER BLUE		1				
045	WL00000107	RIGHT WHEEL COVER BLUE		1				
046	WL00000036	COUNTERSUNK TAPPING SCREW 4X12		3				
047	WL00000035	SHAFT SLEEVE 12MM		1				
048	WL00000033	WHEEL ASSY		1				
D10		INC. 49						
049	WL00000034	BEARING FOR SHAFT		2				
050	WL00000032	SCREW M6X16 WITH WASHER		1				
051	WL00000105	WHEEL COVER		1				
052	WL00000039	FOOT		4				
053	WL00000040	FOOT PAD		4				
054	WL00000023	TAPPING SCREW 4X16		4				
055	WL00000108	POWER PCB		1				
056	WL00000017	TAPPING SCREW 3X8		4				
057	WL00000109	REAR COVER ASSY(BLUE)		1				
D10		INC. 58-62						
058	WL00000044	TAPPING SCREW 4X12		3				
059	WL00000045	HANDLE STRENGTHEN IRON		1				
060	WL00000046	LIFTED HANDLE R		1				
061	WL00000110	SCREWS M4X12		2				
062	WL00000048	DC IN SOCKET		1				
063	WL00000111	DC IN COVER		1				
064	WL00000112	DUST PROOF COVER BLUE		1				
065	WL00000051	FILTER SPONGE		1				
066	WL00000052	COUNTERSUNK TAPPING SCREW 4X18		6				
067	WL00000068	POWER CONNECTION WIRE		1				
068	WL00000069	CONTROLLING PCB WIRE		1				
069	WL00000070	COMPRESSOR PCB WIRE		1				
070	WL00000087	COMPRESSOR INPUT WIRE		1				
A02	WL00000002	CIGAR LIGHTER DC 12-24V		1				
C10	WL00000056	FUSE		1				
F01	WL00000122	AC ADAPTOR ASSY DE		1				
C10	WL00000063	AC POWER CORD		1				

Please order the parts with part number.

Print Date 27/4/2022