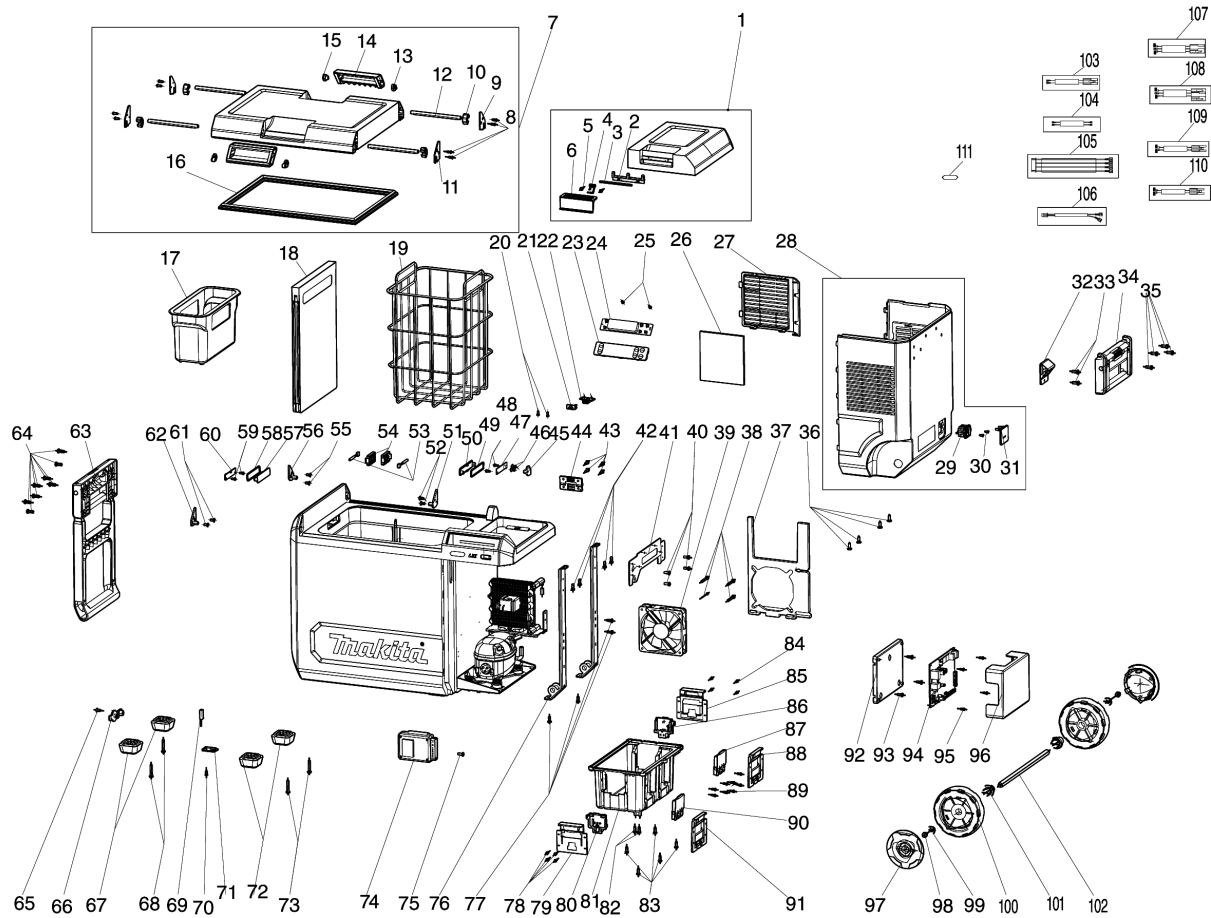


# Model No.CW004G CORDLESS COOLER & WARMER BOX



## Model No.CW004G CORDLESS COOLER &amp; WARMER BOX

Položka	Objednávacie číslo	Popis	Zmena	ks	New/Old	Možnosť 1	Možnosť 2	Poznámka
001	CE00000094	BATTERY COVER		1				
D10		INC. 2-6						
002	CE00000023	LATCH HOLDER		1				
003	CE00000089	SHAFT		1				
004	CE00000090	TORSION SPRING		1				
005	CE00000058	TAPPING SCREWS ST3.5X9.5		2				
006	CE00000022	LATCH		1				
007	CE00000091	TOP COVER (BLUE)		1	*			
C10	CE00000107	CAUTION LABEL		1	*			
D10		INC. 8-16			*			
007-1	CE00000137	TOP COVER (BLUE)	<	1				
C10	CE00000107	CAUTION LABEL		1				
D10		INC. 8-16						
008	CE00000056	TAPPING SCREWS ST3.5X13		8				
009	CE00000082	SHAFT PLATE A		2				
010	CE00000016	BUCKLE		4				
011	CE00000083	SHAFT PLATE B		2				
012	CE00000081	SHAFT		4				
013	CE00000017	KNOB COVER A		2				
014	CE00000015	KNOB		2				
015	CE00000018	KNOB COVER B		2				
016	CE00000075	SEALING		1				
017	CE00000009	TRAY		1				
018	CE00000093	PARTITION		1				
019	CE00000008	BASKET		1				
020	CE00000061	TAPPING SCREWS ST2.9X9.5		2				
021	CE00000078	USB COVER		1				
022	CE00000049	USB PCB		1				
023	CE00000027	DISPLAY PANEL		1				
024	CE00000048	DISPLAY CONTROL PANEL		1				
025	CE00000061	TAPPING SCREWS ST2.9X9.5		2				
026	CE00000035	FILTER		1				
027	CE00000019	OUTLET COVER (BLUE)		1				
028	CE00000097	REAR COVER ASSY (BLUE)		1				
D10		INC. 29-31						
029	CE00000039	DC IN SOCKET		1				
C10	CE00000100	FUSE		1				
030	CE00000062	TAPPING SCREWS ST2.9X10		2				
031	CE00000080	DC IN SOCKET COVER		1				
032	CE00000012	BOTTLE OPENER		1				
033	CE00000068	PAN HEAD SCREW M5X14		2				
034	CE00000095	SHORT HANDLE ASSEMBLY		1				
035	CE00000070	PAN HEAD SCREW M5X14		4				
036	CE00000065	PAN HEAD SCREW ST4X16		4				
037	CE00000099	SEPARATOR		1				

Please order the parts with part number.

Print Date 3/11/2023

## Model No.CW004G CORDLESS COOLER &amp; WARMER BOX

Položka	Objednávacie číslo	Popis	Zmena	ks	New/Old	Možnosť 1	Možnosť 2	Poznámka
038	CE00000066	PAN HEAD SCREW M5X35		4				
039	CE00000054	DC FAN		1				
040	CE00000067	SCREW M4X35		4				
041	CE00000011	HADLE PLATE		1				
042	CE00000060	TAPPING SCREWS ST4.2X16		4				
043	CE00000059	TAPPING SCREWS ST4.2X16		4				
044	CE00000088	HINGE		1				
045	CE00000086	SHAFT PLATE A		1				
046	CE00000071	C.H TAPPING SCREWS 4X8		2				
047	CE00000038	LED PCB		1				
048	CE00000061	TAPPING SCREWS ST2.9X9.5		2				
049	CE00000076	SILICON RING		1				
050	CE00000032	LED COVER		1				
051	CE00000085	SHAFT PLATE B		1				
052	CE00000071	C.H TAPPING SCREWS 4X8		2				
053	CE00000055	THERMOSENSOR		2				
054	CE00000033	THERMOSENSOR COVER		2				
055	CE00000071	C.H TAPPING SCREWS 4X8		2				
056	CE00000085	SHAFT PLATE B		1				
057	CE00000032	LED COVER		1				
058	CE00000076	SILICON RING		1				
059	CE00000061	TAPPING SCREWS ST2.9X9.5		2				
060	CE00000038	LED PCB		1				
061	CE00000071	C.H TAPPING SCREWS 4X8		2				
062	CE00000084	SHAFT PLATE C		1				
063	CE00000096	LONG HADLE		1				
064	CE00000070	PAN HEAD SCREW M5X14		8				
065	CE00000063	C.H TAPPING SCREWS 4X16		1				
066	CE00000079	DRAIN PLUG		1				
067	CE00000077	FOOT		2				
068	CE00000069	PAN HEAD SCREW M4X30		2				
069	CE00000036	MAGNETIC SWITCH		1				
070	CE00000062	TAPPING SCREWS ST2.9X10		1				
071	CE00000013	MAGNETIC SWITCH COVER (BLUE)		1				
072	CE00000077	FOOT		2				
073	CE00000069	PAN HEAD SCREW M4X30		2				
074	CE00000034	COMPRESSOR PCB		1				
075	CE00000072	PAN HEAD SCREW M4X8		1				
076	CE00000010	COMPRESSOR BRACKET		2				
077	CE00000067	SCREW M4X35		4				
078	CE00000061	TAPPING SCREWS ST2.9X9.5		4				
079	CE00000025	TERMINAL COVER		1				
080	CE00000053	TERMINAL		1				
081	CE00000024	BATTERY BOX		1				

Please order the parts with part number.

Print Date 3/11/2023

## Model No.CW004G CORDLESS COOLER &amp; WARMER BOX

Položka	Objednávacie číslo	Popis	Zmena	ks	New/Old	Možnosť 1	Možnosť 2	Poznámka
082	CE00000057	TAPPING SCREWS 4.2X16		2				
083	CE00000060	TAPPING SCREWS ST4.2X16		5				
084	CE00000061	TAPPING SCREWS ST2.9X9.5		4				
085	CE00000025	TERMINAL COVER		1				
086	CE00000053	TERMINAL		1				
087	CE00000037	TERMINAL		1				
088	CE00000026	TERMINAL COVER		1				
089	CE00000061	TAPPING SCREWS ST2.9X9.5		8				
090	CE00000052	TERMINAL		1				
091	CE00000026	TERMINAL COVER		1				
092	CE00000020	CONTROL PCB HOLDER		1				
093	CE00000064	SCREW SUS304 ST4.8X13		3				
094	CE00000127	CONTROL PCB		1				
095	CE00000061	TAPPING SCREWS ST2.9X9.5		4				
096	CE00000021	CONTROL PCB COVER		1				
097	CE00000030	WHEEL COVER		2				
098	CE00000073	HEX. LOCK NUT M6		2				
099	CE00000074	FLAT WASHER		2				
100	CE00000029	WHEEL		2				
101	CE00000028	SHAFT SLEEVE		2				
102	CE00000087	WHEEL SHAFT		1				
103	CE00000047	DC CABLE		1				
104	CE00000042	CONTROL BOARD CONNECTION CABLE		1				
105	CE00000041	MODULE CONNECTION CABLE		1				
106	CE00000040	MAGNETIC CABLE		1				
107	CE00000043	18V DC CONNECTION CABLE 1		1				
108	CE00000044	18V DC CONNECTION CABLE 2		1				
109	CE00000045	36V DC CONNECTION CABLE 1		1				
110	CE00000046	36V DC CONNECTION CABLE 2		1				
111	CE00000105	XGT LOGO LABEL		1				
A01	CE00000110	AC ADAPTOR ASSY C		1				
C10	CE00000119	AC POWER CORD C		1				
A02	CE00000007	CIGAR SOCKET		1				
A03	A-76956	SHOULDER BELT		1				

Please order the parts with part number.

Print Date 3/11/2023