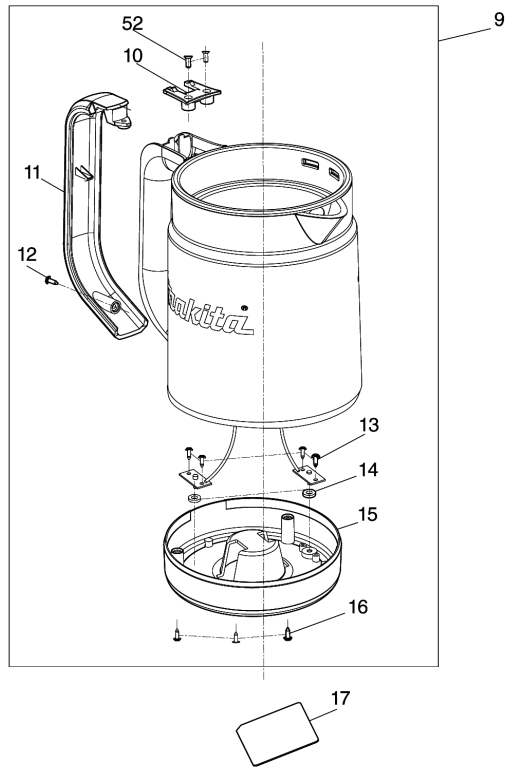
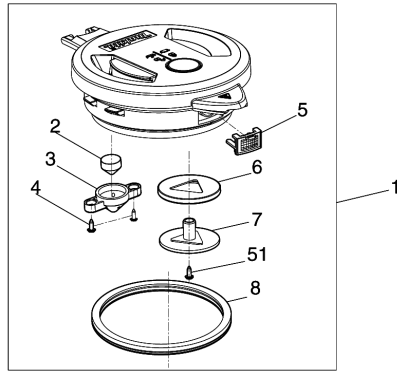
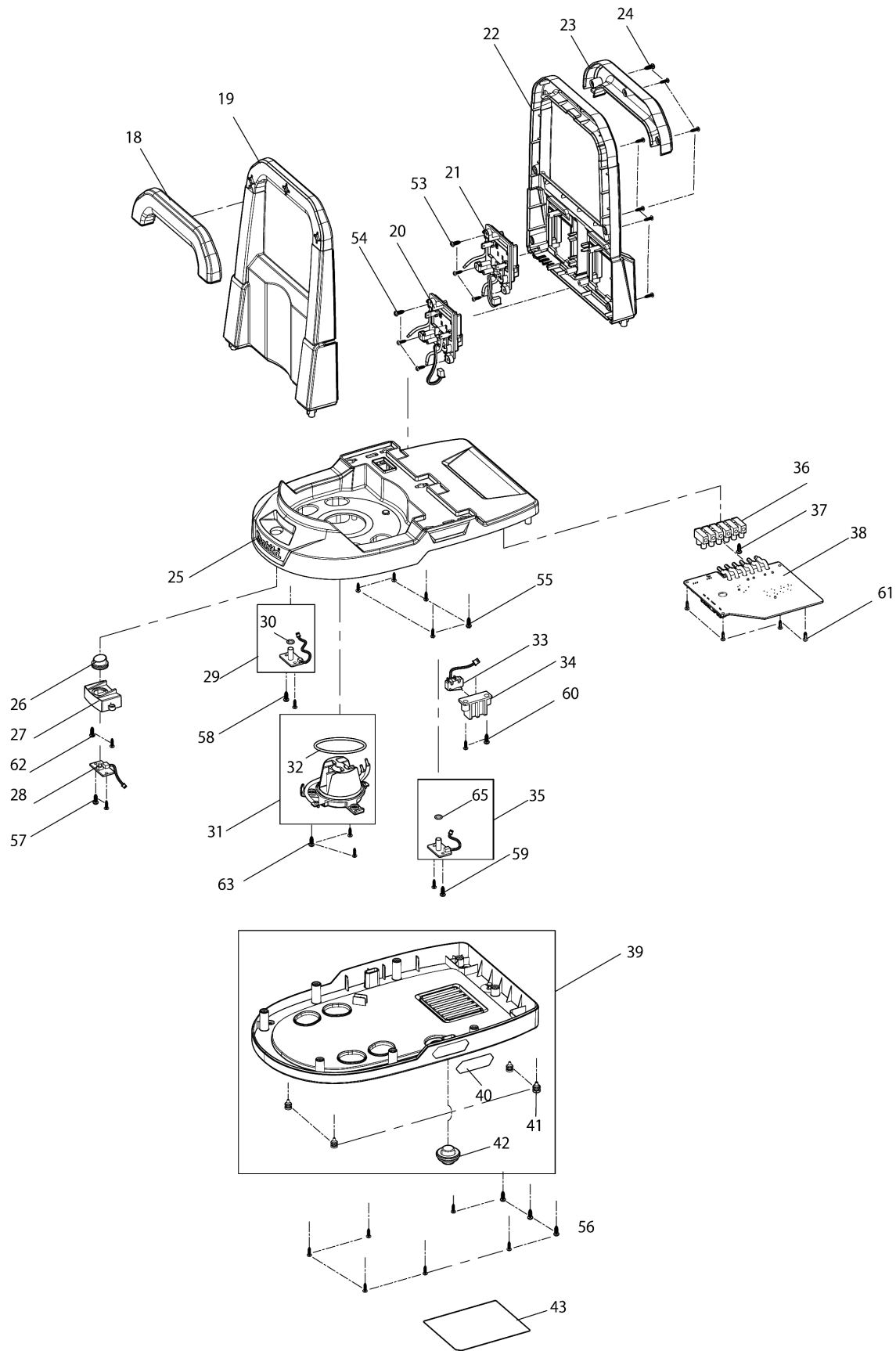


Model No.KT001G CORDLESS KETTLE



Model No.KT001G CORDLESS KETTLE



Model No.KT001G CORDLESS KETTLE

Položka	Objednávacie číslo	Popis	Zmena	ks	New/Old	Možnosť 1	Možnosť 2	Poznámka
001	KF00000076	TOP COVER ASSEMBLY(BLUE)		1				
D10		INC. 2-8,51						
002	KF00000078	PLUG		1				
003	KF00000079	PLUG COVER		1				
004	KF00000080	COUNTERSUNK SCREW ST3X12		2				
005	KF00000081	FILTER NET		1				
006	KF00000082	SILICONE OF WATER STOPPER		1				
007	KF00000083	WATER STOPPPER		1				
008	KF00000084	SEAL RING OF COVER		1				
009	KF00000085	KETTLE ASSEMBLY(BLUE)		1				
D10		INC. 10-16,52						
010	KF00000087	HANDLE CLIP		1				
011	KF00000088	HANDLE COVER		1				
012	KF00000002	TAPPING SCREW ST3X12		1				
013	KF00000089	TAPPING SCREW ST3X8		4				
014	KF00000090	SEAL RING		2				
015	KF00000091	BOTTOM COVER		1				
016	KF00000092	H.L. SOCKET HEAD SCREW T10		3				
017	KF00000159	KETTLE NAME PLATE		1				
018	KF00000103	HANDLE COVER L		1				
019	KF00000164	HANDLE BASE L(BLUE)		1				
020	KF00000165	BATTERY HOLDER A		1				
021	KF00000166	BATTERY HOLDER B		1				
022	KF00000167	HANDLE BASE R(BLUE)		1				
023	KF00000114	HANDLE COVER R		1				
024	KF00000211	TAPPING SCREW ST3X12		7				
025	KF00000169	BASE(BLUE)		1				
026	KF00000120	BUTTON		1				
027	KF00000121	PCB SWITCH SUPPORT		1				
028	KF00000122	SWITCH BOARD		1				
029	KF00000193	NTC BOTTOM CONTACT PAD A ASSY		1				
D10		INC. 30						
030	KF00000119	SEAL RING		1				
031	KF00000170	COUPLER ASSEMBLY		1				
D10		INC. 32						
032	KF00000127	COUPLER BASE SEAL RING		1				
033	KF00000194	MICRO-SWITCH ASSEMBLY		1				
034	KF00000125	MICRO-SWITCH SUPPORT		1				
035	KF00000123	NTC BOTTOM CONTACT PAD B ASSY		1				
D10		INC. 65						
036	KF00000128	TERMIANL		1				
037	KF00000129	SCREW ST3X14		1				

Please order the parts with part number.

Print Date 19/7/2022

Model No.KT001G CORDLESS KETTLE

Položka	Objednávacie číslo	Popis	Zmena	ks	New/Old	Možnosť 1	Možnosť 2	Poznámka
038	KF00000171	MAIN PCB		1				
039	KF00000172	BASE COVER ASSEMBLY		1				
D10		INC. 40-42						
040	KF00000195	XGT LOGO LABEL		1				
041	KF00000028	FOOT		4				
042	KF00000132	SILICONE BUTTON		1				
043	KF00000176	BASE NAME PLATE		1				
051	KF00000080	COUNTERSUNK SCREW ST3X12		1				
052	KF00000080	COUNTERSUNK SCREW ST3X12		2				
053	KF00000210	TAPPING SCREW ST3X12		3				
054	KF00000210	TAPPING SCREW ST3X12		3				
055	KF00000210	TAPPING SCREW ST3X12		5				
056	KF00000211	TAPPING SCREW ST3X12		9				
057	KF00000089	TAPPING SCREW ST3X8		2				
058	KF00000212	TAPPING SCREW ST3X8		2				
059	KF00000212	TAPPING SCREW ST3X8		2				
060	KF00000212	TAPPING SCREW ST3X8		2				
061	KF00000212	TAPPING SCREW ST3X8		4				
062	KF00000212	TAPPING SCREW ST3X8		2				
063	KF00000212	TAPPING SCREW ST3X8		3				
065	KF00000119	SEAL RING		1				

Please order the parts with part number.

Print Date 19/7/2022