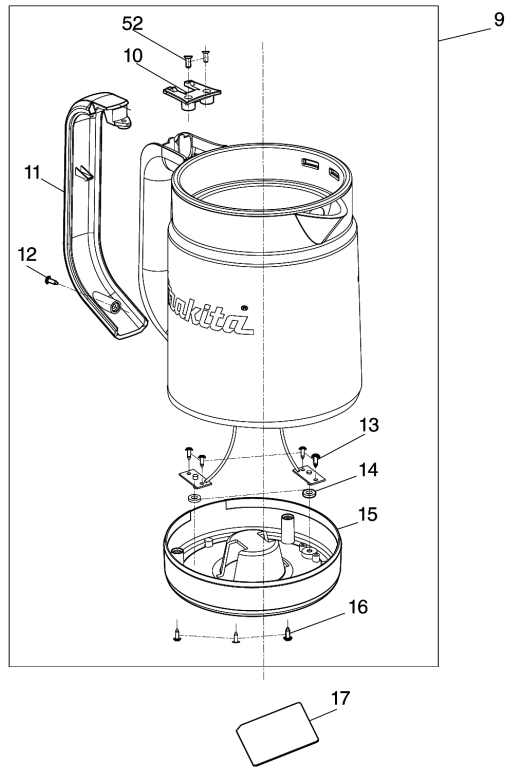
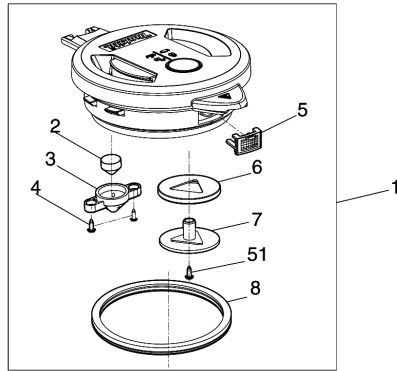
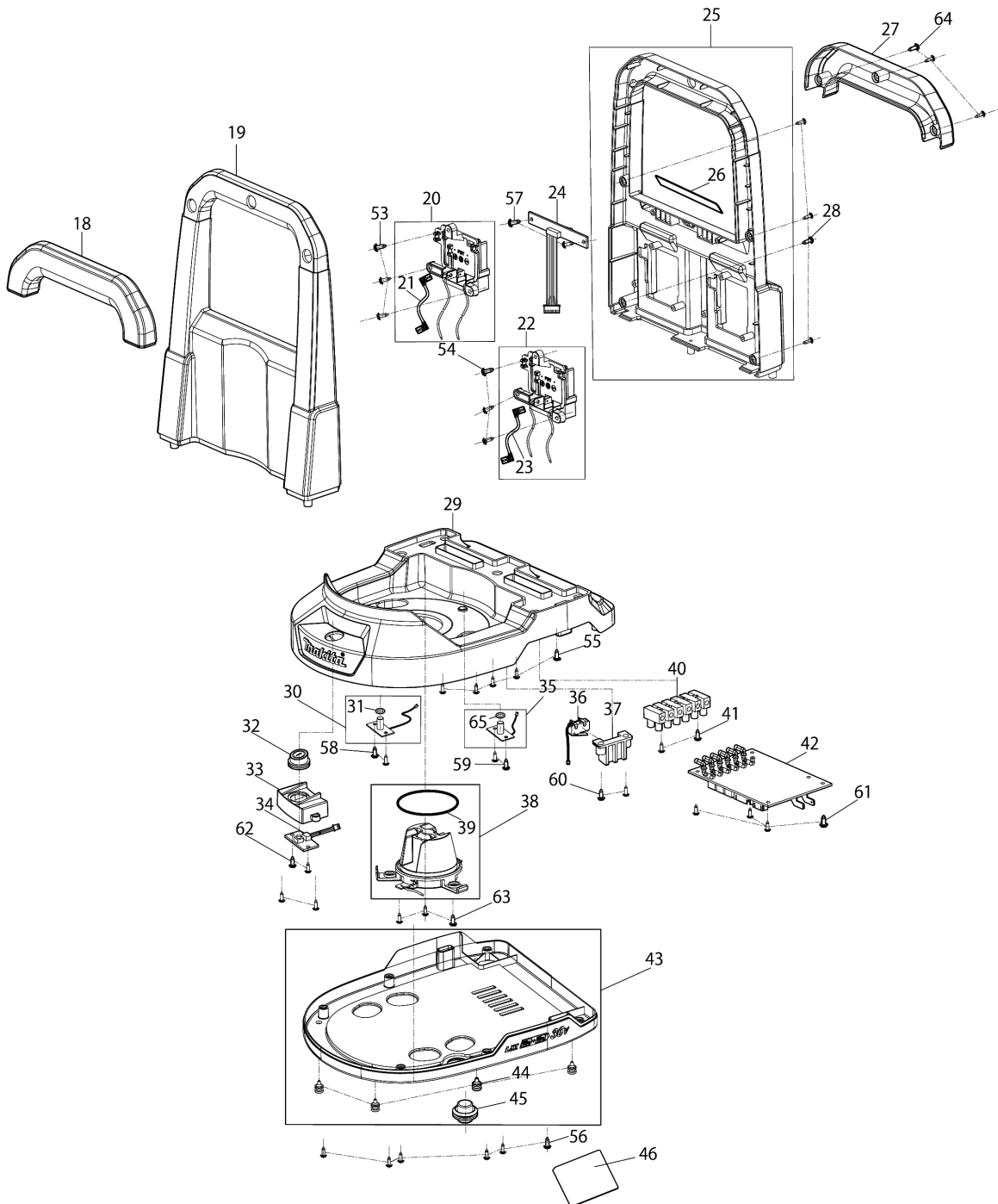


# Model No.DKT360 CORDLESS KETTLE



# Model No.DKT360 CORDLESS KETTLE



## Model No.DKT360 CORDLESS KETTLE

| Položka | Objednávacie číslo | Popis                         | Zmena | ks | New/Old | Možnosť 1 | Možnosť 2 | Poznámka |
|---------|--------------------|-------------------------------|-------|----|---------|-----------|-----------|----------|
| 001     | KF00000076         | TOP COVER ASSEMBLY(BLUE)      |       | 1  |         |           |           |          |
| D10     |                    | INC. 2-8,51                   |       |    |         |           |           |          |
| 002     | KF00000078         | PLUG                          |       | 1  |         |           |           |          |
| 003     | KF00000079         | PLUG COVER                    |       | 1  |         |           |           |          |
| 004     | KF00000080         | COUNTERSUNK SCREW ST3X12      |       | 2  |         |           |           |          |
| 005     | KF00000081         | FILTER NET                    |       | 1  |         |           |           |          |
| 006     | KF00000082         | SILICONE OF WATER STOPPER     |       | 1  |         |           |           |          |
| 007     | KF00000083         | WATER STOPPPER                |       | 1  |         |           |           |          |
| 008     | KF00000084         | SEAL RING OF COVER            |       | 1  |         |           |           |          |
| 009     | KF00000085         | KETTLE ASSEMBLY(BLUE)         |       | 1  |         |           |           |          |
| D10     |                    | INC. 10-16,52                 |       |    |         |           |           |          |
| 010     | KF00000087         | HANDLE CLIP                   |       | 1  |         |           |           |          |
| 011     | KF00000088         | HANDLE COVER                  |       | 1  |         |           |           |          |
| 012     | KF00000002         | TAPPING SCREW ST3X12          |       | 1  |         |           |           |          |
| 013     | KF00000089         | TAPPING SCREW ST3X8           |       | 4  |         |           |           |          |
| 014     | KF00000090         | SEAL RING                     |       | 2  |         |           |           |          |
| 015     | KF00000091         | BOTTOM COVER                  |       | 1  |         |           |           |          |
| 016     | KF00000092         | H.L. SOCKET HEAD SCREW T10    |       | 3  |         |           |           |          |
| 017     | KF00000096         | KETTLE NAME PLATE             |       | 1  |         |           |           |          |
| 018     | KF00000103         | HANDLE COVER L(BLUE)          |       | 1  |         |           |           |          |
| 019     | KF00000104         | HANDLE BASE L(BLUE)           |       | 1  |         |           |           |          |
| 020     | KF00000106         | UNIVERSAL BATTERY HOLDER A    |       | 1  |         |           |           |          |
| D10     |                    | INC. 21                       |       |    |         |           |           |          |
| 021     | KF00000107         | LEAD UNIT A                   |       | 1  |         |           |           |          |
| 022     | KF00000108         | UNIVERSAL BATTERY HOLDER B    |       | 1  |         |           |           |          |
| D10     |                    | INC. 23                       |       |    |         |           |           |          |
| 023     | KF00000109         | LEAD UNIT B                   |       | 1  |         |           |           |          |
| 024     | KF00000110         | BATTERY QUANTITY DISPLY BOARD |       | 1  |         |           |           |          |
| 025     | KF00000111         | HANDLE BASE R ASSEMBLY(BLUE)  |       | 1  |         |           |           |          |
| D10     |                    | INC. 26                       |       |    |         |           |           |          |
| 026     | KF00000113         | BATTERY-QUANTITY FILM         |       | 1  |         |           |           |          |
| 027     | KF00000114         | HANDLE COVER R                |       | 1  |         |           |           |          |
| 028     | KF00000115         | SCREW ST3X10                  |       | 4  |         |           |           |          |
| 029     | KF00000116         | BASE(BLUE)                    |       | 1  |         |           |           |          |
| 030     | KF00000118         | NTC BOTTOM CONTACT PAD A ASSY |       | 1  |         |           |           |          |
| D10     |                    | INC. 31                       |       |    |         |           |           |          |
| 031     | KF00000119         | SEAL RING                     |       | 1  |         |           |           |          |
| 032     | KF00000120         | BUTTON                        |       | 1  |         |           |           |          |
| 033     | KF00000121         | PCB SWITCH SUPPORT            |       | 1  |         |           |           |          |
| 034     | KF00000122         | SWITCH BOARD                  |       | 1  |         |           |           |          |
| 035     | KF00000123         | NTC BOTTOM CONTACT PAD B ASSY |       | 1  |         |           |           |          |

Please order the parts with part number.

Print Date 19/7/2022

## Model No.DKT360 CORDLESS KETTLE

| Položka | Objednávacie číslo | Popis                    | Zmena | ks | New/Old | Možnosť 1 | Možnosť 2 | Poznámka |
|---------|--------------------|--------------------------|-------|----|---------|-----------|-----------|----------|
| D10     |                    | INC. 65                  |       |    |         |           |           |          |
| 036     | KF00000124         | MICRO-SWITCH ASSEMBLY    |       | 1  |         |           |           |          |
| 037     | KF00000125         | MICRO-SWITCH SUPPORT     |       | 1  |         |           |           |          |
| 038     | KF00000126         | COUPLER ASSEMBLY         |       | 1  |         |           |           |          |
| D10     |                    | INC. 39                  |       |    |         |           |           |          |
| 039     | KF00000127         | COUPLER BASE SEAL RING   |       | 1  |         |           |           |          |
| 040     | KF00000128         | TERMIANL                 |       | 1  |         |           |           |          |
| 041     | KF00000129         | SCREW ST3X14             |       | 2  |         |           |           |          |
| 042     | KF00000130         | MAIN PCB                 |       | 1  |         |           |           |          |
| 043     | KF00000131         | BASE COVER ASSEMBLY      |       | 1  |         |           |           |          |
| D10     |                    | INC. 44,45               |       |    |         |           |           |          |
| 044     | KF00000028         | FOOT                     |       | 4  |         |           |           |          |
| 045     | KF00000132         | SILICONE BUTTON          |       | 1  |         |           |           |          |
| 046     | KF00000136         | BASE NAMEPLATE           |       | 1  |         |           |           |          |
| 051     | KF00000080         | COUNTERSUNK SCREW ST3X12 |       | 1  |         |           |           |          |
| 052     | KF00000080         | COUNTERSUNK SCREW ST3X12 |       | 2  |         |           |           |          |
| 053     | KF00000002         | TAPPING SCREW ST3X12     |       | 3  |         |           |           |          |
| 054     | KF00000002         | TAPPING SCREW ST3X12     |       | 3  |         |           |           |          |
| 055     | KF00000002         | TAPPING SCREW ST3X12     |       | 5  |         |           |           |          |
| 056     | KF00000002         | TAPPING SCREW ST3X12     |       | 6  |         |           |           |          |
| 057     | KF00000089         | TAPPING SCREW ST3X8      |       | 2  |         |           |           |          |
| 058     | KF00000089         | TAPPING SCREW ST3X8      |       | 2  |         |           |           |          |
| 059     | KF00000089         | TAPPING SCREW ST3X8      |       | 2  |         |           |           |          |
| 060     | KF00000089         | TAPPING SCREW ST3X8      |       | 2  |         |           |           |          |
| 061     | KF00000089         | TAPPING SCREW ST3X8      |       | 4  |         |           |           |          |
| 062     | KF00000089         | TAPPING SCREW ST3X8      |       | 4  |         |           |           |          |
| 063     | KF00000089         | TAPPING SCREW ST3X8      |       | 3  |         |           |           |          |
| 064     | KF00000115         | SCREW ST3X10             |       | 3  |         |           |           |          |
| 065     | KF00000119         | SEAL RING                |       | 1  |         |           |           |          |

Please order the parts with part number.

Print Date 19/7/2022