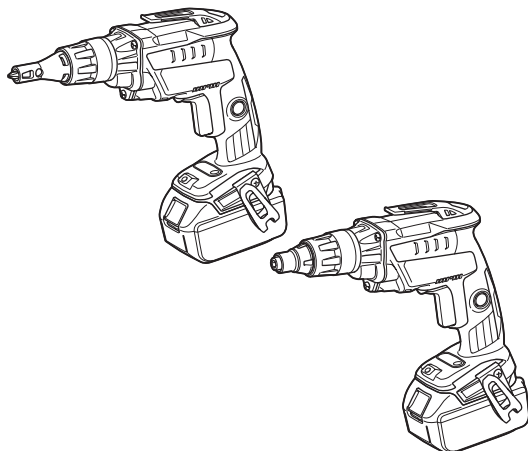




EN	Cordless Screwdriver	INSTRUCTION MANUAL	4
PL	Wkrętarka bezprzewodowa	INSTRUKCJA OBSŁUGI	9
HU	Akkumulátoros csavarbehajtó	HASZNÁLATI KÉZIKÖNYV	15
SK	Akumulátorový skrutkovač	NÁVOD NA OBSLUHU	20
CS	Akumulátorový šroubovák	NÁVOD K OBSLUZE	25
UK	Бездротовий шуруповерт	ІНСТРУКЦІЯ З ЕКСПЛУАТАЦІЇ	30
RO	Mașină de înșurubat cu acumulator	MANUAL DE INSTRUCȚIUNI	36
DE	Akku-Schrauber	BETRIEBSANLEITUNG	41

**DFS250**  
**DFS251**



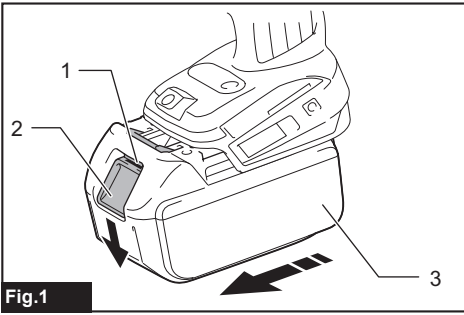


Fig.1

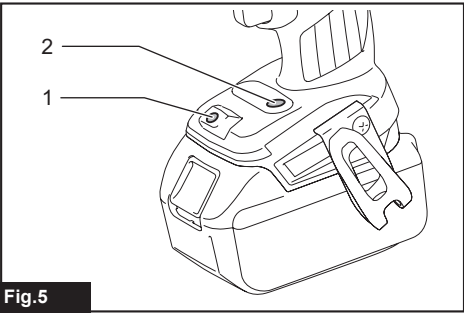


Fig.5



Fig.2

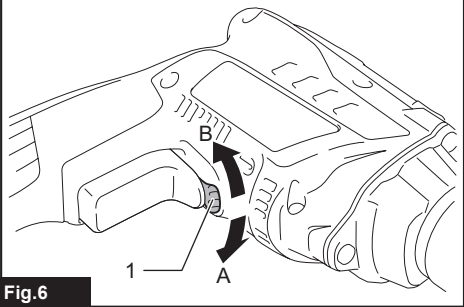


Fig.6

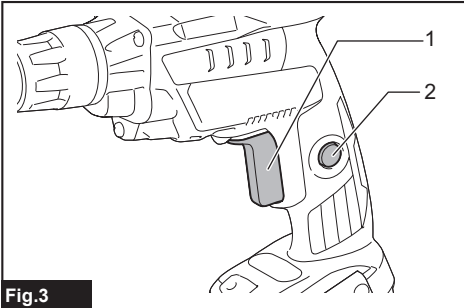


Fig.3

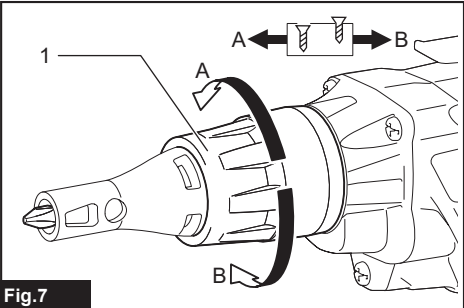


Fig.7

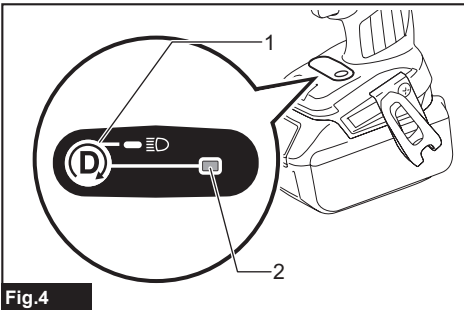


Fig.4

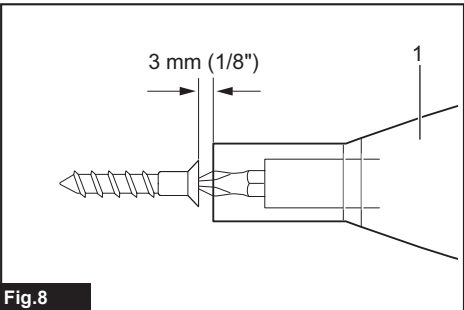


Fig.8

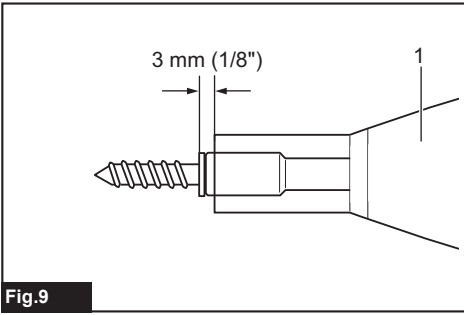


Fig.9

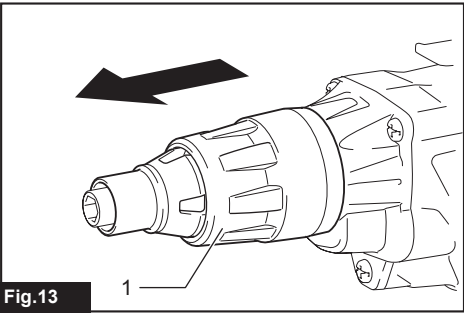


Fig.13

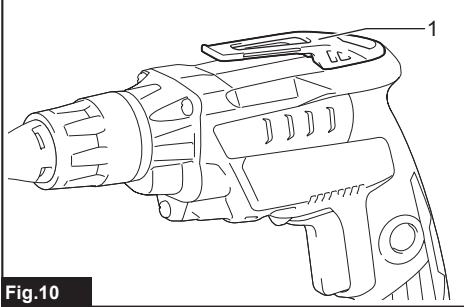


Fig.10

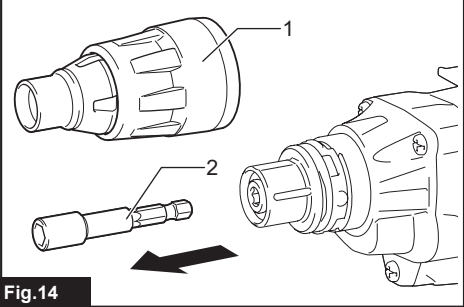


Fig.14

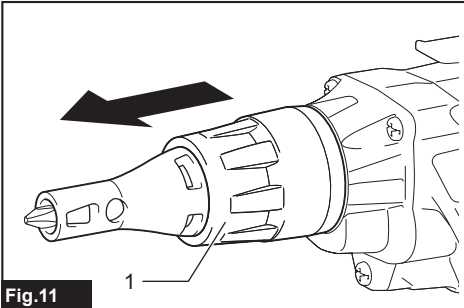


Fig.11

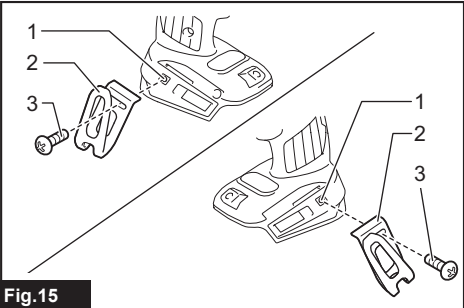


Fig.15

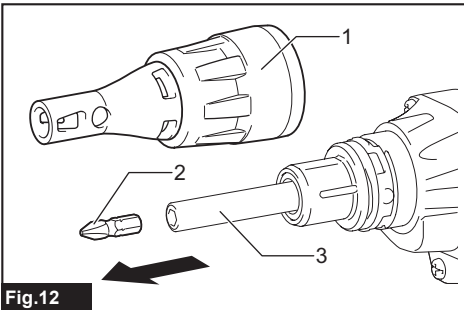


Fig.12

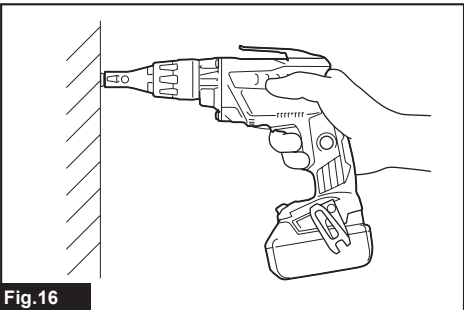


Fig.16

# SPECIFICATIONS

Model:		DFS250	DFS251
Fastening capacities	Self drilling screw	6 mm	
	Drywall screw	5 mm	
No load speed (RPM)		0 - 2,500 min <sup>-1</sup>	
Overall length	With short locator	223 mm	-
	With long locator	239 mm	-
Overall length		-	217 mm
Rated voltage		D.C. 18 V	
Net weight		1.5 - 1.9 kg	1.5 - 1.8 kg

- Due to our continuing program of research and development, the specifications herein are subject to change without notice.
- Specifications may differ from country to country.
- The weight may differ depending on the attachment(s), including the battery cartridge. The lightest and heaviest combination, according to EPTA-Procedure 01/2014, are shown in the table.

## Applicable battery cartridge and charger

Battery cartridge	BL1815N / BL1820 / BL1820B / BL1830 / BL1830B / BL1840 / BL1840B / BL1850 / BL1850B / BL1860B
Charger	DC18RC / DC18RD / DC18RE / DC18SD / DC18SE / DC18SF

- Some of the battery cartridges and chargers listed above may not be available depending on your region of residence.

**⚠ WARNING: Only use the battery cartridges and chargers listed above.** Use of any other battery cartridges and chargers may cause injury and/or fire.

## Intended use

The tool is intended for screw driving in wood, metal and plastic.

## Noise

The typical A-weighted noise level determined according to EN62841:

### Model DFS250

Sound pressure level ( $L_{pA}$ ): 72 dB(A)

Uncertainty (K): 3 dB(A)

### Model DFS251

Sound pressure level ( $L_{pA}$ ): 72 dB(A)

Uncertainty (K): 3 dB(A)

The noise level under working may exceed 80 dB (A).

**⚠ WARNING: Wear ear protection.**

## Vibration

The vibration total value (tri-axial vector sum) determined according to EN62841:

### Model DFS250

Work mode: screwdriving without impact

Vibration emission ( $a_h$ ): 2.5 m/s<sup>2</sup> or less

Uncertainty (K): 1.5 m/s<sup>2</sup>

### Model DFS251

Work mode: screwdriving without impact

Vibration emission ( $a_h$ ): 2.5 m/s<sup>2</sup> or less

Uncertainty (K): 1.5 m/s<sup>2</sup>

**NOTE:** The declared vibration emission value has been measured in accordance with the standard test method and may be used for comparing one tool with another.

**NOTE:** The declared vibration emission value may also be used in a preliminary assessment of exposure.

**⚠ WARNING:** The vibration emission during actual use of the power tool can differ from the declared emission value depending on the ways in which the tool is used.

**⚠ WARNING:** Be sure to identify safety measures to protect the operator that are based on an estimation of exposure in the actual conditions of use (taking account of all parts of the operating cycle such as the times when the tool is switched off and when it is running idle in addition to the trigger time).

## EC Declaration of Conformity

### For European countries only

The EC declaration of conformity is included as Annex A to this instruction manual.



# SAFETY WARNINGS

## General power tool safety warnings

**⚠️WARNING:** Read all safety warnings, instructions, illustrations and specifications provided with this power tool. Failure to follow all instructions listed below may result in electric shock, fire and/or serious injury.

## Save all warnings and instructions for future reference.

The term "power tool" in the warnings refers to your mains-operated (corded) power tool or battery-operated (cordless) power tool.

## Cordless screwdriver safety warnings

1. **Hold the power tool by insulated gripping surfaces, when performing an operation where the fastener may contact hidden wiring.** Fasteners contacting a "live" wire may make exposed metal parts of the power tool "live" and could give the operator an electric shock.
2. **Always be sure you have a firm footing. Be sure no one is below when using the tool in high locations.**
3. **Hold the tool firmly.**
4. **Keep hands away from rotating parts.**
5. **Do not touch the bit or the workpiece immediately after operation; they may be extremely hot and could burn your skin.**
6. **Always secure workpiece in a vise or similar hold-down device.**

## SAVE THESE INSTRUCTIONS.

**⚠️WARNING:** DO NOT let comfort or familiarity with product (gained from repeated use) replace strict adherence to safety rules for the subject product.

**MISUSE** or failure to follow the safety rules stated in this instruction manual may cause serious personal injury.

## Important safety instructions for battery cartridge

1. **Before using battery cartridge, read all instructions and cautionary markings on (1) battery charger, (2) battery, and (3) product using battery.**
2. **Do not disassemble battery cartridge.**
3. **If operating time has become excessively shorter, stop operating immediately. It may result in a risk of overheating, possible burns and even an explosion.**
4. **If electrolyte gets into your eyes, rinse them out with clear water and seek medical attention right away. It may result in loss of your eyesight.**

5. **Do not short the battery cartridge:**
  - (1) **Do not touch the terminals with any conductive material.**
  - (2) **Avoid storing battery cartridge in a container with other metal objects such as nails, coins, etc.**
  - (3) **Do not expose battery cartridge to water or rain.****A battery short can cause a large current flow, overheating, possible burns and even a breakdown.**
6. **Do not store the tool and battery cartridge in locations where the temperature may reach or exceed 50 °C (122 °F).**
7. **Do not incinerate the battery cartridge even if it is severely damaged or is completely worn out. The battery cartridge can explode in a fire.**
8. **Be careful not to drop or strike battery.**
9. **Do not use a damaged battery.**
10. **The contained lithium-ion batteries are subject to the Dangerous Goods Legislation requirements.**

For commercial transports e.g. by third parties, forwarding agents, special requirement on packaging and labeling must be observed. For preparation of the item being shipped, consulting an expert for hazardous material is required. Please also observe possibly more detailed national regulations.

Tape or mask off open contacts and pack up the battery in such a manner that it cannot move around in the packaging.

11. **Follow your local regulations relating to disposal of battery.**
12. **Use the batteries only with the products specified by Makita.** Installing the batteries to non-compliant products may result in a fire, excessive heat, explosion, or leak of electrolyte.

## SAVE THESE INSTRUCTIONS.

**⚠️CAUTION:** Only use genuine Makita batteries. Use of non-genuine Makita batteries, or batteries that have been altered, may result in the battery bursting causing fires, personal injury and damage. It will also void the Makita warranty for the Makita tool and charger.

## Tips for maintaining maximum battery life

1. **Charge the battery cartridge before completely discharged. Always stop tool operation and charge the battery cartridge when you notice less tool power.**
2. **Never recharge a fully charged battery cartridge. Overcharging shortens the battery service life.**
3. **Charge the battery cartridge with room temperature at 10 °C - 40 °C (50 °F - 104 °F). Let a hot battery cartridge cool down before charging it.**
4. **Charge the battery cartridge if you do not use it for a long period (more than six months).**

# FUNCTIONAL DESCRIPTION

**CAUTION:** Always be sure that the tool is switched off and the battery cartridge is removed before adjusting or checking function on the tool.

## Installing or removing battery cartridge

**CAUTION:** Always switch off the tool before installing or removing of the battery cartridge.

**CAUTION:** Hold the tool and the battery cartridge firmly when installing or removing battery cartridge.

Failure to hold the tool and the battery cartridge firmly may cause them to slip off your hands and result in damage to the tool and battery cartridge and a personal injury.

► Fig.1: 1. Red indicator 2. Button 3. Battery cartridge

To remove the battery cartridge, slide it from the tool while sliding the button on the front of the cartridge.

To install the battery cartridge, align the tongue on the battery cartridge with the groove in the housing and slip it into place. Insert it all the way until it locks in place with a little click. If you can see the red indicator on the upper side of the button, it is not locked completely.

**CAUTION:** Always install the battery cartridge fully until the red indicator cannot be seen. If not, it may accidentally fall out of the tool, causing injury to you or someone around you.

**CAUTION:** Do not install the battery cartridge forcibly. If the cartridge does not slide in easily, it is not being inserted correctly.

## Indicating the remaining battery capacity

*Only for battery cartridges with the indicator*

► Fig.2: 1. Indicator lamps 2. Check button

Press the check button on the battery cartridge to indicate the remaining battery capacity. The indicator lamps light up for a few seconds.

Indicator lamps			Remaining capacity
Lighted	Off	Blinking	
■	□	▧	75% to 100%
■ ■ ■ ■			
■ ■ ■ □			50% to 75%
■ ■ □ □			25% to 50%
■ □ □ □			0% to 25%
▧ □ □ □			Charge the battery.
■ ■ □ □			The battery may have malfunctioned.
□ □ ■ ■			

**NOTE:** Depending on the conditions of use and the ambient temperature, the indication may differ slightly from the actual capacity.

## Tool / battery protection system

The tool is equipped with a tool/battery protection system. This system automatically cuts off power to the motor to extend tool and battery life. The tool will automatically stop during operation if the tool or battery is placed under one of the following conditions:

### Overload protection

When the battery is operated in a manner that causes it to draw an abnormally high current, the tool automatically stops without any indication. In this situation, turn the tool off and stop the application that caused the tool to become overloaded. Then turn the tool on to restart.

### Overheat protection

When the tool or battery is overheated, the tool stops automatically and the lamp blinks. In this case, let the tool and battery cool before turning the tool on again.

### Overdischarge protection

When the battery capacity is not enough, the tool stops automatically. In this case, remove the battery from the tool and charge the battery.

## Switch action

**WARNING:** Before installing the battery cartridge into the tool, always check to see that the switch trigger actuates properly and returns to the "OFF" position when released.

► Fig.3: 1. Switch trigger 2. Lock button

To start the tool, simply pull the switch trigger. Tool speed is increased by increasing pressure on the switch trigger. Release the switch trigger to stop.

For continuous operation, pull the switch trigger, push in the lock button and then release the switch trigger. To stop the tool from the locked position, pull the switch trigger fully, then release it.

**CAUTION:** Switch can be locked in "ON" position for ease of operator comfort during extended use. Apply caution when locking tool in "ON" position and maintain firm grasp on tool.

**NOTE:** Even with the switch on and motor running, the driver bit does not rotate. Push the tool forward to engage the clutch.

**NOTE:** The tool automatically stops if the motor keeps rotating for about 6 minutes.

## Push drive mode

► **Fig.4:** 1. Button 2. Mode indicator

This tool has push drive mode. In this mode, the tool cuts off power to the motor to save the battery power at idle.

To select push drive mode, pull the trigger slightly, then release it and quickly press the button. The mode indicator will then light up.

Once push drive is activated, pull the switch trigger and then push the lock button. Apply pressure to the driver bit and the motor will start rotating. Further pressure engages the clutch and the driver bit will start rotating. In push drive mode, the motor and the driver bit will only rotate by applying pressure.

**NOTE:** If the tool does not run for about 8 hours in push drive mode with the trigger locked on, tool is shutdown. In such a case, release and pull the trigger again for restarting.

## Lighting up the front lamp

**CAUTION:** Do not look in the light or see the source of light directly.

► **Fig.5:** 1. Lamp 2. Button

To turn on the lamp, slightly pull the switch trigger, and then release it. The lamp goes out approximately 10 seconds after releasing the switch trigger.

To keep turning off the light, slightly pull the switch trigger, then release it, and then press the button for a few seconds. To turn on the light, perform the same operation again.

In push drive mode with the switch trigger locked, the lamp goes out approximately one minute after the motor stops.

**NOTE:** While pulling the switch trigger, the lamp status cannot be changed.

**NOTE:** For approximately 10 seconds after releasing the switch trigger, the lamp status can be changed.

**NOTE:** Use a dry cloth to wipe the dirt off the lens of the lamp. Be careful not to scratch the lens of lamp, or it may lower the illumination.

## Reversing switch action

► **Fig.6:** 1. Reversing switch lever

**CAUTION:** Always check the direction of rotation before operation.

**CAUTION:** Use the reversing switch only after the tool comes to a complete stop. Changing the direction of rotation before the tool stops may damage the tool.

**CAUTION:** When not operating the tool, always set the reversing switch lever to the neutral position.

This tool has a reversing switch to change the direction of rotation. Move the reversing switch lever to the position ↶ (A side) for clockwise rotation or to the position ↷ (B side) for counterclockwise rotation.

When the reversing switch lever is in the neutral position, the switch trigger cannot be pulled.

## Depth adjustment

► **Fig.7:** 1. Locator

The depth can be adjusted by turning the locator. Turn it in "B" direction for less depth and in "A" direction for more depth. One full turn of the locator equals 2 mm (1/16") change in depth.

**For DFS250**

► **Fig.8:** 1. Locator

**For DFS251**

► **Fig.9:** 1. Locator

Adjust the locator so that the distance between the tip of the locator and the screw head is approximately 3 mm (1/8") as shown in the figures. Drive a trial screw into your material or a piece of duplicate material. If the depth is still not suitable for the screw, continue adjusting until you obtain the proper depth setting.

## Hook

**CAUTION:** Always remove the battery when hanging the tool with the hook.

**CAUTION:** Never hook the tool at high location or on potentially unstable surface.

► **Fig.10:** 1. Hook

The hook is convenient for temporarily hanging the tool.

## ASSEMBLY

**CAUTION:** Always be sure that the tool is switched off and the battery cartridge is removed before carrying out any work on the tool.

## Installing or removing driver bit/socket bit

**For DFS250**

► **Fig.11:** 1. Locator

► **Fig.12:** 1. Locator 2. Driver bit 3. Magnetic bit holder

To remove the driver bit, pull the locator, and then grasp the bit with a pair of pliers and pull the bit out of the magnetic bit holder. To install the driver bit, push it firmly into the magnetic bit holder. Then install the locator by pushing it firmly back.

**For DFS251**

► **Fig.13:** 1. Locator

► **Fig.14:** 1. Locator 2. Socket bit

To remove the socket bit, pull the locator, and then pull the socket bit. To install the socket bit, push it firmly into the sleeve. Then install the locator by pushing it firmly back.

## Hook

► **Fig.15:** 1. Groove 2. Hook 3. Screw

The hook is convenient for temporarily hanging the tool. This can be installed on either side of the tool. To install the hook, insert it into a groove in the tool housing on either side and then secure it with a screw. To remove, loosen the screw and then take it out.

## OPERATION

### Screwdriving operation

► **Fig.16**

Fit the screw on the point of the bit and place the point of the screw on the surface of the workpiece to be fastened. Apply pressure to the tool and start it. Withdraw the tool as soon as the clutch cuts in. Then release the switch trigger.

**CAUTION:** When fitting the screw onto the point of the bit, be careful not to push in on the screw. If the screw is pushed in, the clutch will engage and the screw will rotate suddenly. This could damage a workpiece or cause an injury.

**CAUTION:** Make sure that the bit is inserted straight in the screw head, or the screw and/or bit may be damaged.

## MAINTENANCE

**CAUTION:** Always be sure that the tool is switched off and the battery cartridge is removed before attempting to perform inspection or maintenance.

**NOTICE:** Never use gasoline, benzine, thinner, alcohol or the like. Discoloration, deformation or cracks may result.

To maintain product SAFETY and RELIABILITY, repairs, any other maintenance or adjustment should be performed by Makita Authorized or Factory Service Centers, always using Makita replacement parts.

## OPTIONAL ACCESSORIES

**CAUTION:** These accessories or attachments are recommended for use with your Makita tool specified in this manual. The use of any other accessories or attachments might present a risk of injury to persons. Only use accessory or attachment for its stated purpose.

If you need any assistance for more details regarding these accessories, ask your local Makita Service Center.

- Driver bits
- Magnetic bit holder
- Socket bits
- Makita genuine battery and charger
- Plastic carrying case

**NOTE:** Some items in the list may be included in the tool package as standard accessories. They may differ from country to country.

## DANE TECHNICZNE

Model:		DFS250	DFS251
Zakresy dokręcania	Wkręt samowiercący	6 mm	
	Wkręt do płyt kartonowo-gipsowych	5 mm	
Prędkość bez obciążenia (obr./min)		0–2 500 min <sup>-1</sup>	
Długość całkowita	Z krótkim elementem ustalającym	223 mm	-
	Z długim elementem ustalającym	239 mm	-
Długość całkowita		-	217 mm
Napięcie znamionowe		Prąd stały 18 V	
Masa netto		1,5–1,9 kg	1,5–1,8 kg

- W związku ze stale prowadzonym przez naszą firmę programem badawczo-rozwojowym niniejsze dane mogą ulec zmianom bez wcześniejszego powiadomienia.
- Dane techniczne mogą różnić się w zależności od kraju.
- Masa może być różna w zależności od osprzętu, w tym akumulatora. W tabeli przedstawiona jest najlżejsza i najcięższa konfiguracja, zgodnie z procedurą EPTA 01/2014.

## Kompatybilne akumulatory i ładowarki

Akumulator	BL1815N / BL1820 / BL1820B / BL1830 / BL1830B / BL1840 / BL1840B / BL1850 / BL1850B / BL1860B
Ładowarka	DC18RC / DC18RD / DC18RE / DC18SD / DC18SE / DC18SF

- Pewne z wymienionych powyżej akumulatorów i ładowarek mogą być niedostępne w regionie zamieszkania użytkownika.

**⚠ OSTRZEŻENIE:** Należy używać wyłącznie akumulatorów i ładowarek wymienionych powyżej. Używanie innych akumulatorów i ładowarek może stwarzać ryzyko wystąpienia obrażeń ciała lub pożaru.

## Przeznaczenie

Narzędzie jest przeznaczone do wkręcania śrub i wkrętów w drewnie, metalu i tworzywach sztucznych.

## Hałas

Typowy równoważny poziom dźwięku A określony w oparciu o normę EN62841:

### Model DFS250

Poziom ciśnienia akustycznego ( $L_{pA}$ ): 72 dB(A)

Niepewność (K): 3 dB(A)

### Model DFS251

Poziom ciśnienia akustycznego ( $L_{pA}$ ): 72 dB(A)

Niepewność (K): 3 dB(A)

Poziom hałasu podczas pracy może przekraczać 80 dB (A).

**⚠ OSTRZEŻENIE:** Nosić ochronniki słuchu.

## Drgania

Całkowita wartość poziomu drgań (suma wektorów w 3 osiach) określona zgodnie z normą EN62841:

### Model DFS250

Tryb pracy: wkręcanie bez udu

Emisja drgań ( $a_{rh}$ ): 2,5 m/s<sup>2</sup> lub mniej

Niepewność (K): 1,5 m/s<sup>2</sup>

### Model DFS251

Tryb pracy: wkręcanie bez udu

Emisja drgań ( $a_{rh}$ ): 2,5 m/s<sup>2</sup> lub mniej

Niepewność (K): 1,5 m/s<sup>2</sup>

**WSKAZÓWKA:** Deklarowana wartość wytwarzanych drgań została zmierzona zgodnie ze standardową metodą testową i można ją wykorzystać do porównywania narzędzi.

**WSKAZÓWKA:** Deklarowaną wartość wytwarzanych drgań można także wykorzystać we wstępnej ocenie narażenia.

**⚠ OSTRZEŻENIE:** Drgania wytwarzane podczas rzeczywistego użytkowania elektronarzędzia mogą się różnić od wartości deklarowanej, w zależności od sposobu jego użytkowania.

**⚠ OSTRZEŻENIE:** W oparciu o szacowane narażenie w rzeczywistych warunkach użytkowania należy określić środki bezpieczeństwa w celu ochrony operatora (uwzględniając wszystkie elementy cyklu działania, tj. czas, kiedy narzędzie jest wyłączone i kiedy pracuje na biegu jałowym, a także czas, kiedy jest włączone).

## Deklaracja zgodności WE

*Dotyczy tylko krajów europejskich*

Deklaracja zgodności WE jest dołączona jako załącznik A do niniejszej instrukcji obsługi.

## OSTRZEŻENIA DOTYCZĄCE BEZPIECZEŃSTWA

### Ogólne zasady bezpiecznej eksploatacji elektronarzędzi

**⚠ OSTRZEŻENIE:** Należy zapoznać się z ostrzeżeniami dotyczącymi bezpieczeństwa, instrukcjami, ilustracjami i danymi technicznymi dołączonymi do tego elektronarzędzia. Niezastosowanie się do podanych poniżej instrukcji może prowadzić do porażenia prądem, pożaru i/lub poważnych obrażeń ciała.

### Wszystkie ostrzeżenia i instrukcje należy zachować do wykorzystania w przyszłości.

Pojęcie „elektonarzędzie”, występujące w wymienionych tu ostrzeżeniach, odnosi się do elektronarzędzia zasilanego z sieci elektrycznej (z przewodem zasilającym) lub do elektronarzędzia akumulatorowego (bez przewodu zasilającego).

### Ostrzeżenia dotyczące bezpieczeństwa dla wkrętarki bezprzewodowej

1. Trzymać elektronarzędzie za izolowane powierzchnie rękocyfki podczas wykonywania prac, przy których element złączny może dotknąć niewidocznej instalacji elektrycznej. Zetknięcie elementów złącznych z przewodem elektrycznym znajdującym się pod napięciem spowoduje, że odsłonięte elementy metalowe narzędzia również znajdą się pod napięciem, grożąc porażeniem operatora prądem elektrycznym.
2. Podczas pracy należy zadbać o stabilne oparcie dla nóg.  
W przypadku pracy na wysokości upewnić się, że na dole nie przebywają żadne osoby.
3. Narzędzie należy trzymać mocno i pewnie.
4. Trzymać ręce z dala od części obrotowych.
5. Nie dotykać wiertła ani części obrabianej od razu po zakończeniu danej operacji; mogą one być bardzo gorące i spowodować oparzenie skóry.
6. Element obrabiany należy zawsze mocować w imadle lub podobnym uchwycie.

## ZACHOWAĆ NINIEJSZE INSTRUKCJE.

**⚠ OSTRZEŻENIE:** NIE WOLNO pozwolić, aby wygoda lub rutyna (nabyta w wyniku wielokrotnego używania urządzenia) zastąpiły ściśle przestrzeganie zasad bezpieczeństwa obsługi.

**NIEWŁAŚCIWE UŻYTKOWANIE** narzędzia lub nieostosowanie się do zasad bezpieczeństwa podanych w niniejszej instrukcji obsługi może prowadzić do poważnych obrażeń ciała.

### Ważne zasady bezpieczeństwa dotyczące akumulatora

1. Przed użyciem akumulatora zapoznać się ze wszystkimi instrukcjami i znakami ostrzegawczymi na (1) ładowarce, (2) akumulatorze i (3) produkcie, w którym będzie używany akumulator.
2. Akumulatora nie wolno rozbierać.
3. Jeśli czas działania uległ znacznemu skróceniu, należy natychmiast przerwać pracę. Może bowiem dojść do przegrzania, ewentualnych poparzeń, a nawet eksplozji.
4. W przypadku przedostania się elektrolitu do oczu, przemyć je czystą wodą i niezwłocznie uzyskać pomoc lekarską. Może on bowiem spowodować utratę wzroku.
5. Nie doprowadzać do zwarcia akumulatora:
  - (1) Nie dotykać styków materiałami przewodzącymi prąd.
  - (2) Unikać przechowywania akumulatora w pojemniku z metalowymi przedmiotami, takimi jak gwoździe, monety itp.
  - (3) Chronić akumulator przed deszczem lub wodą.

Zwarcie prowadzi do przepływu prądu elektrycznego o dużym natężeniu i przegrzania akumulatora, co w konsekwencji może grozić poparzeniami a nawet awarią urządzenia.

6. Narzędzia i akumulatora nie wolno przechowywać w miejscach, w których temperatura osiąga bądź przekracza 50°C (122°F).
7. Akumulatorów nie wolno spalać, również tych poważnie uszkodzonych lub całkowicie zużytych. Akumulator może eksplodować w ogniu.
8. Chronić akumulator przed upadkiem i uderzeniami.
9. Nie wolno używać uszkodzonego akumulatora.
10. Stanowiące wyposażenie akumulatory litowo-jonowe podlegają przepisom dotyczącym produktów niebezpiecznych.  
Na potrzeby transportu komercyjnego, np. świadczanego przez firmy trzecie czy spedycyjne, należy przestrzegać specjalnych wymagań w zakresie pakowania i oznaczenia etykietami. Przygotowanie produktu do wysyłki wymaga skonsultowania się ze specjalistą ds. materiałów niebezpiecznych. Należy także przestrzegać przepisów krajowych, które mogą być bardziej szczegółowe.  
Zakleić taśmą lub zaślepić otwarte styki akumulatora oraz zabezpieczyć go, aby nie mógł się przesuwać w opakowaniu.

11. Postępować zgodnie z przepisami lokalnymi dotyczącymi usuwania akumulatorów.
12. Używać akumulatorów tylko z produktami określonymi przez firmę Makita. Zastosowanie akumulatorów w niezgodnych produktach może spowodować pożar, przegrzanie, wybuch lub wyciek elektrolitu.

## ZACHOWAĆ NINIEJSZE INSTRUKCJE.

**⚠ PRZESTROGA:** Używać wyłącznie oryginalnych akumulatorów firmy Makita. Używanie nieoryginalnych akumulatorów firm innych niż Makita lub akumulatorów, które zostały zmodyfikowane, może spowodować wybuch akumulatora i pożar, obrażenia ciała oraz zniszczenie mienia. Stanowi to również naruszenie warunków gwarancji firmy Makita dotyczących narzędzia i ładowarki.

## Wskazówki dotyczące zachowania maksymalnej trwałości akumulatora

1. Akumulator należy naładować zanim zostanie do końca rozładowany. Po zauważeniu spadku mocy narzędzia należy przerwać pracę i naładować akumulator.
2. Nie wolno ładować powtórnie w pełni naładowanego akumulatora. Przeładowanie akumulatora skraca jego trwałość.
3. Akumulator należy ładować w temperaturze pokojowej w przedziale 10–40°C (50–104°F). W przypadku gorącego akumulatora przed przystąpieniem do ładowania należy poczekać, aż ostygnie.
4. Akumulatory niklowo-wodorkowe należy naładować po okresie długiego nieużytkowania (dłuższego niż sześć miesięcy).

## OPIS DZIAŁANIA

**⚠ PRZESTROGA:** Przed przystąpieniem do regulacji lub przeglądu narzędzia upewnić się, że jest ono wyłączone, a akumulator został wyjęty.

## Wkładanie i wyjmowanie akumulatora

**⚠ PRZESTROGA:** Przed włożeniem lub wyjęciem akumulatora należy zawsze wyłączyć narzędzie.

**⚠ PRZESTROGA:** Podczas wkładania lub wyjmowania akumulatora należy mocno trzymać narzędzie i akumulator. W przeciwnym razie mogą się one wyślizgnąć z rąk, powodując uszkodzenie narzędzia lub akumulatora i obrażenia ciała.

► **Rys.1:** 1. Czerwony wskaźnik 2. Przycisk 3. Akumulator

Aby wyjąć akumulator, przesunąć przycisk znajdujący się w przedniej jego części i wysunąć akumulator.

Aby włożyć akumulator, wyrównaj występ na akumulatorze z rowkiem w obudowie i wsuń go na swoje miejsce. Akumulator należy wsunąć do oporu, aż się zatrzaśnie na miejscu, co jest sygnalizowane delikatnym kliknięciem. Jeśli w górnej części przycisku jest widoczny czerwony wskaźnik, akumulator nie został całkowicie zatrzaśnięty.

**⚠ PRZESTROGA:** Akumulator należy włożyć do końca, tak aby czerwony wskaźnik nie był widoczny. W przeciwnym razie może przypadkowo wypaść z narzędzia, powodując obrażenia operatora lub osób postronnych.

**⚠ PRZESTROGA:** Nie wkładać akumulatora na siłę. Jeśli akumulator nie daje się swobodnie wsunąć, oznacza to, że został włożony nieprawidłowo.

## Wskazanie stanu naładowania akumulatora

Tylko w przypadku akumulatorów ze wskaźnikami

► **Rys.2:** 1. Lampki wskaźnika 2. Przycisk kontrolny  
Nacisnąć przycisk kontrolny na akumulatorze w celu wyświetlenia stanu naładowania akumulatora. Lampki wskaźnika zaświecą się przez kilka sekund.

Lampki wskaźnika			Pozostała energia akumulatora
Świeci się	Wyłączony	Miga	
■ ■ ■ ■	□ □ □ □	▬	75–100%
■ ■ ■ □	□ □ □ □	▬	50–75%
■ ■ □ □	□ □ □ □	▬	25–50%
■ □ □ □	□ □ □ □	▬	0–25%
▬	□ □ □ □	▬	Naładować akumulator.
■ ■ □ □	□ □ □ □	▬	Akumulator może nie działać poprawnie.
□ □ □ □	■ ■ ■ ■	▬	



**WSKAZÓWKA:** Zależnie od warunków użytkowania i temperatury otoczenia, wskazany poziom może nieznacznie się różnić od rzeczywistego stanu naładowania akumulatora.

## Układ zabezpieczenia narzędzia/akumulatora

Narzędzie jest wyposażone w układ zabezpieczenia narzędzia/akumulatora. Układ automatycznie odcina zasilanie silnika w celu wydłużenia trwałości narzędzia i akumulatora. Narzędzie zostanie automatycznie zatrzymane podczas pracy w następujących sytuacjach związanych z narzędziem lub akumulatorem:

### Zabezpieczenie przed przeciążeniem

W przypadku użytkowania akumulatora w sposób powodujący nadmiernie wysoki pobór prądu narzędzie zostanie automatycznie zatrzymane bez ostrzeżenia. W takiej sytuacji należy wyłączyć narzędzie i zaprzestać wykonywania czynności powodującej przeciążenie narzędzia. Następnie należy włączyć narzędzie w celu jego ponownego uruchomienia.

### Zabezpieczenie przed przegrzaniem

W przypadku przegrzania narzędzia lub akumulatora narzędzie automatycznie się wyłączy i zacznie migać lampka. W takiej sytuacji należy odczekać, aż narzędzie ostygnie przed ponownym włączeniem narzędzia.

### Zabezpieczenie przed nadmiernym rozładowaniem

Gdy stan naładowania akumulatora stanie się zbyt niski, narzędzie zostanie automatycznie zatrzymane. W takiej sytuacji należy wyjąć akumulator z narzędzia i naładować go.

## Działanie przełącznika

**⚠ OSTRZEŻENIE:** Przed włożeniem akumulatora do narzędzia należy zawsze sprawdzić, czy spust przełącznika działa prawidłowo i czy powraca do położenia wyłączenia po jego zwolnieniu.

► **Rys.3:** 1. Spust przełącznika 2. Przycisk blokady

W celu uruchomienia narzędzia wystarczy pociągnąć spust przełącznika. Prędkość narzędzia zwiększa się wraz ze zwiększaniem nacisku na spust przełącznika. W celu wyłączenia wystarczy zwolnić spust przełącznika.

Aby włączyć tryb pracy ciąglej, należy pociągnąć spust przełącznika, wcisnąć przycisk blokady, a następnie zwolnić spust przełącznika. Aby zatrzymać narzędzie z włączoną blokadą, wystarczy pociągnąć do oporu spust przełącznika, a następnie zwolnić go.

**⚠ PRZESTROGA:** W celu ułatwienia obsługi i dla wygody operatora podczas długotrwałej pracy z użyciem narzędzia przełącznik można zablokować w pozycji włączonej. Podczas pracy z przełącznikiem zablokowanym w pozycji włączonej należy zachować ostrożność i pewnie trzymać narzędzie.

**WSKAZÓWKA:** Nawet w przypadku ustawienia przełącznika w położeniu włączonym i przy uruchomionym silniku końcówka wkrętakowa nie będzie się obracała. Popchnąć narzędzie w przód, aby włączyć sprzęgło.

**WSKAZÓWKA:** Narzędzie automatycznie zatrzyma się w przypadku pracy silnika przez około 6 min.

## Tryb uruchamiania przez nacisk

► **Rys.4:** 1. Przycisk 2. Wskaźnik trybu

Narzędzie obsługuje tryb uruchamiania przez nacisk. W tym trybie narzędzie odcina zasilanie silnika w celu oszczędzania energii akumulatora podczas pracy bez obciążenia.

Aby włączyć tryb uruchamiania przez nacisk, pociągnąć lekko spust przełącznika, a następnie zwolnić go i szybko nacisnąć przycisk. Wskaźnik trybu zaświeci się. Po włączeniu trybu uruchamiania przez nacisk pociągnąć za spust przełącznika, a następnie nacisnąć przycisk blokady. Po wywarcu nacisku na końcówkę wkrętakową silnik zacznie się obracać. Dalsze wywieranie nacisku spowoduje włączenie sprzęgła i zacznie się obracać końcówka wkrętakowa. W trybie uruchamiania poprzez nacisk silnik i końcówka wkrętakowa będą obracać się tylko, gdy będzie wywierany nacisk.

**WSKAZÓWKA:** Jeśli narzędzie nie zostanie uruchomione w ciągu około 8 godz. w trybie uruchamiania przez nacisk ze spustem zablokowanym w położeniu włączenia, wyłączy się. W takim przypadku należy zwolnić i pociągnąć spust w celu ponownego uruchomienia.

## Włączenie lampki czołowej

**⚠ PRZESTROGA:** Nie patrzeć na światło ani bezpośrednio na źródło światła.

► **Rys.5:** 1. Lampka 2. Przycisk

Aby włączyć lampkę, należy lekko pociągnąć spust przełącznika i zwolnić go. Lampka oświetlenia wyłącza się po około 10 s od zwolnienia spustu przełącznika. W celu wyłączenia lampki należy lekko pociągnąć spust przełącznika, zwolnić go, a następnie nacisnąć i przytrzymać przycisk przez kilka sekund. W celu włączenia lampki należy ponownie wykonać te same czynności. W trybie uruchamiania przez nacisk przy zablokowanym spuście przełącznika lampka wyłącza się po około jednej minucie od zatrzymania się silnika.

**WSKAZÓWKA:** Gdy spust przełącznika jest naciśnięty, nie można zmienić trybu działania lampki oświetlenia.

**WSKAZÓWKA:** Tryb działania lampki oświetlenia można zmienić po ok. 10 s od zwolnienia spustu przełącznika.

**WSKAZÓWKA:** Aby usunąć zabrudzenia z klosza lampki, należy użyć suchej szmatki. Uważać, aby nie zarysować klosza lampki, gdyż może to zmniejszyć natężenie oświetlenia.



## Działanie przełącznika zmiany kierunku obrotów

- **Rys.6:** 1. Dźwignia przełącznika zmiany kierunku obrotów

**⚠ PRZESTROGA:** Przed przystąpieniem do pracy należy zawsze sprawdzić ustawiony kierunek obrotów.

**⚠ PRZESTROGA:** Przełącznika zmiany kierunku obrotów można użyć tylko po całkowitym zatrzymaniu narzędzia. Zmiana kierunku obrotów przed zatrzymaniem się narzędzia grozi jego uszkodzeniem.

**⚠ PRZESTROGA:** Gdy narzędzie nie jest używane, należy zawsze ustawić dźwignię przełącznika zmiany kierunku obrotów w położeniu neutralnym.

Omawiane narzędzie jest wyposażone w przełącznik umożliwiający zmianę kierunku obrotów. Przesunięcie dźwigni przełącznika obrotów wstecznych w położenie ⇐ (położenie A) powoduje wybranie kierunku obrotów w prawą stronę, a w położenie ⇨ (położenie B) powoduje wybranie kierunku obrotów w lewą stronę. Gdy dźwignia przełącznika obrotów wstecznych znajduje się w położeniu neutralnym, spust przełącznika jest zablokowany.

## Regulacja głębokości

- **Rys.7:** 1. Element ustalający

Głębokość można regulować, obracając element ustalający. Aby ustawić mniejszą głębokość, obracać w kierunku „B”; aby zwiększyć głębokość, obracać w kierunku „A”. Jeden pełny obrót elementu ustalającego odpowiada zmianie głębokości o 2 mm (1/16”).

### DFS250

- **Rys.8:** 1. Element ustalający

### DFS251

- **Rys.9:** 1. Element ustalający

Wyregulować element ustalający tak, aby odległość pomiędzy jego końcówką a łbem wkręta wynosiła ok. 3 mm (1/8”), jak pokazano na rysunkach. Wkręcić wkręt próbny w materiał lub w jego zapasowy kawałek. Jeżeli głębokość nadal nie jest odpowiednia dla wkręta, kontynuować regulację do uzyskania właściwej głębokości.

## Zaczep

**⚠ PRZESTROGA:** Przed zawieszeniem narzędzia za zaczep należy koniecznie wyjąć akumulator.

**⚠ PRZESTROGA:** Nie wolno wieszać narzędzia wysoko lub na potencjalnie niestabilnej powierzchni.

- **Rys.10:** 1. Hak

Zaczep służy do wygodnego, tymczasowego zawieszania narzędzia.

## MONTAŻ

**⚠ PRZESTROGA:** Przed przystąpieniem do prac konserwacyjnych przy narzędziu upewnić się, że jest ono wyłączone, a akumulator został wyjęty.

## Wkładanie i wyjmowanie końcówki wkrętakowej/nasadki

### DFS250

- **Rys.11:** 1. Element ustalający  
► **Rys.12:** 1. Element ustalający 2. Końcówka wkrętakowa 3. Magnetyczny uchwyt na końcówki

Aby wyjąć końcówkę wkrętakową, należy pociągnąć element ustalający, a następnie chwycić końcówkę szczypcami i wyciągnąć ją z uchwytu magnetycznego końcówki. Aby włożyć końcówkę wkrętakową, należy wepchnąć ją mocno do uchwytu magnetycznego końcówki. Następnie należy założyć element ustalający, wciskając go mocno na miejsce.

### DFS251

- **Rys.13:** 1. Element ustalający  
► **Rys.14:** 1. Element ustalający 2. Końcówka nasadowa

Aby zdjąć końcówkę nasadkową, należy pociągnąć element ustalający, a następnie wyciągnąć końcówkę nasadkową. Aby włożyć końcówkę nasadkową, należy wepchnąć ją mocno do tulei. Następnie należy założyć element ustalający, wciskając go mocno na miejsce.

## Zaczep

- **Rys.15:** 1. Rowek 2. Zaczep 3. Wkręt

Zaczep służy do wygodnego, tymczasowego zawieszania narzędzia. Można go zamontować z jednej lub z drugiej strony narzędzia.

Aby zamontować zaczep, należy wsunąć go w rowek w obudowie narzędzia znajdujący się z obu stron, a następnie przykręcić go wkrętem. Aby wymontować zaczep, należy odkręcić wkręt i wyjąć zaczep.

## OBSŁUGA

### Wkręcanie

- **Rys.16**

Przyłożyć wkręt do czubka końcówki i umieścić na powierzchni elementu, w który ma zostać wkręcony. Docisnąć narzędzie i uruchomić je. Wyczołfać narzędzie, gdy tylko sprzęgło zadziała. Następnie zwolnić spust przełącznika.

**⚠ PRZESTROGA:** Przykładając wkręt do czubka końcówki, należy zachować ostrożność i nie dociskać wkrętu. Jeżeli tak się stanie, sprzęgło włączy się, a wkręt zacznie się nagle obracać. Może to uszkodzić obrabiany element lub spowodować obrażenia.

**⚠ PRZESTROGA:** Końcówka powinna być wprowadzona do łba wkrętu w linii prostej z wkrętem, w przeciwnym razie wkręt i/lub końcówka mogą ulec uszkodzeniu.

## KONSERWACJA

**⚠ PRZESTROGA:** Przed przystąpieniem do przeglądu narzędzia lub jego konserwacji upewnić się, że jest ono wyłączone, a akumulator wyjęty.

**UWAGA:** Nie stosować benzyny, rozpuszczalników, alkoholu itp. środków. Mogą one powodować odbarwienia, odkształcenia lub pęknięcia.

W celu zachowania odpowiedniego poziomu BEZPIECZEŃSTWA i NIEZAWODNOŚCI produktu wszelkie naprawy i różnego rodzaju prace konserwacyjne lub regulacje powinny być przeprowadzane przez autoryzowany lub fabryczny punkt serwisowy narzędzi Makita, zawsze z użyciem oryginalnych części zamiennych Makita.

## AKCESORIA OPCJONALNE

**⚠ PRZESTROGA:** Zaleca się stosowanie wymienionych akcesoriów i przystawek razem z narzędziem Makita opisanym w niniejszej instrukcji. Stosowanie innych akcesoriów lub przystawek może być przyczyną obrażeń ciała. Akcesoria lub przystawki należy wykorzystywać tylko zgodnie z ich przeznaczeniem.

W razie potrzeby wszelkiej pomocy i szczegółowych informacji na temat niniejszych akcesoriów udziela Państwu lokalne punkty serwisowe Makita.

- Końcówki wkrętakowe
- Magnetyczny uchwyt na końcówki
- Nasadki
- Oryginalny akumulator i ładowarka firmy Makita
- Walizka z tworzywa sztucznego

**WSKAZÓWKA:** Niektóre pozycje znajdujące się na liście mogą być dołączone do pakietu narzędziowego jako akcesoria standardowe. Mogą to być różne pozycje, w zależności od kraju.

## RÉSZLETES LEÍRÁS

Típus:		DFS250	DFS251
Meghúzási kapacitások	Önbehajtó csavar	6 mm	
	Csavar szárazfalba	5 mm	
Üresjárat fordulatszám (f/p)		0 - 2 500 min <sup>-1</sup>	
Teljes hossz	Rövid rögzítővel	223 mm	-
	Hosszú rögzítővel	239 mm	-
Teljes hossz		-	217 mm
Névleges feszültség		18 V, egyenáram	
Nettó tömeg		1,5–1,9 kg	1,5–1,8 kg

- Folyamatos kutató- és fejlesztőprogramunk eredményeként az itt felsorolt tulajdonságok figyelmeztetés nélkül megváltozhatnak.
- A tulajdonságok országról országra különbözhetnek.
- A súly a felszerelt tartozékoktól függően változhat, az akkumulátort is beleértve. Az EPTA 01/2014 eljárás szerint meghatározott legnehezebb, illetve legkönnyebb kombináció a táblázatban látható.

### Alkalmazható akkumulátorok és töltők

Akkumulátor	BL1815N / BL1820 / BL1820B / BL1830 / BL1830B / BL1840 / BL1840B / BL1850 / BL1850B / BL1860B
Töltő	DC18RC / DC18RD / DC18RE / DC18SD / DC18SE / DC18SF

- Lakóhelyétől függően előfordulhat, hogy a fent felsorolt akkumulátorok és töltők nem érhetők el.

**▲ FIGYELMEZTETÉS:** Csak a fentiekben felsorolt akkumulátorokat és töltőket használja. Bármilyen más akkumulátor vagy töltő használata sérüléseket és/vagy tüzet okozhat.

### Rendeltetés

A szerszám csavarbehajtásra használható, fába, fémekbe és műanyagokba.

### Jaj

A tipikus A-súlyozású zajszint, a EN62841 szerint meghatározva:

#### DFS250 típus

Hangnyomásszint ( $L_{pA}$ ): 72 dB(A)  
Bizonytalanság (K): 3 dB(A)

#### DFS251 típus

Hangnyomásszint ( $L_{pA}$ ): 72 dB(A)  
Bizonytalanság (K): 3 dB(A)

A zajszint a munkavégzés során meghaladhatja a 80 dB (A) értéket.

**▲ FIGYELMEZTETÉS:** Viseljen fülvédőt!

### Vibráció

A vibráció teljes értéke (háromtengelyű vektorösszeg) az EN62841 szerint meghatározva:

#### DFS250 típus

Üzem mód: behajtás ütés nélkül  
Rezgéskibocsátás ( $a_{h1}$ ): 2,5 m/s<sup>2</sup> vagy kisebb  
Bizonytalanság (K): 1,5 m/s<sup>2</sup>

#### DFS251 típus

Üzem mód: behajtás ütés nélkül  
Rezgéskibocsátás ( $a_{h1}$ ): 2,5 m/s<sup>2</sup> vagy kisebb  
Bizonytalanság (K): 1,5 m/s<sup>2</sup>

**MEGJEGYZÉS:** A rezgéskibocsátás értéke a szabványos vizsgálati eljárásnak megfelelően lett mérve, és segítségével az elektromos kéziszerszámok összehasonlíthatók egymással.

**MEGJEGYZÉS:** A rezgéskibocsátás értékének segítségével előzetesen megbecsülhető a rezgésnek való kitettség mértéke.

**▲ FIGYELMEZTETÉS:** A szerszám rezgés kibocsátása egy adott alkalmazásnál eltérhet a megadott értéktől a használat módjától függően.

**▲ FIGYELMEZTETÉS:** Határozza meg a kezelő védelmét szolgáló munkavédelmi lépéseket, melyek az adott munkafeltételek melletti vibrációs hatás becslült mértékén alapulnak (figyelembe véve a munkaciklus elemeit, mint például a gép leállításának és üresjáratának mennyiségét az elindítások száma mellett).

### EK Megfelelőségi nyilatkozat

**Csak európai országokra vonatkozóan**

Az EK-megfelelőségi nyilatkozat az útmutató „A” mellékletében található.

# BIZTONSÁGI FIGYELMEZTETÉS

## A szerszámgépekre vonatkozó általános biztonsági figyelmeztetések

**▲ FIGYELMEZTETÉS:** Olvassa el a szerszámgéphez mellékelt összes biztonsági figyelmeztetést, utasítást, illusztrációt és a műszaki adatokat. A következőkben leírt utasítások figyelmen kívül hagyása elektromos áramütést, tüzet és/vagy súlyos sérülést eredményezhet.

## Őrizzen meg minden figyelmeztetést és utasítást a későbbi tájékozódás érdekében.

A figyelmeztetésekben szereplő "szerszámgép" kifejezés az Ön hálózatról (vezetékes) vagy akkumulátorról (vezeték nélküli) működtetett szerszámgépére vonatkozik.

## Az akkumulátoros csavarbehajtóra vonatkozó biztonsági figyelmeztetések

1. **Tartsa az elektromos szerszámot a szigetelt markolófelületeinél fogva, amikor olyan műveletet végez, melynek során fennáll a veszélye, hogy a rögzítő rejtett vezetékbe ütközhet. A rögzítők áram alatt lévő vezetékkel való érintkezésekor a szerszám fém alkatrészei is áram alá kerülnek, és megrázhathatják a kezelőt.**
2. **Mindig stabil helyzetben dolgozzon. A szerszám magasban történő használatkor győződjön meg arról, hogy nem tartózkodik-e valaki odalent.**
3. **Tartsa stabilan a szerszámot.**
4. **Ne nyúljon a forgó részekhez.**
5. **Ne érjen a szerszámhoz vagy a munkadarabhoz közvetlenül a munkavégzést követően; azok rendkívül forrók lehetnek és megégethetik a bőrt.**
6. **A munkadarabokat mindig rögzítse satuban, vagy más hasonló befogó eszközzel.**

## ŐRIZZE MEG EZEKET AZ UTASÍTÁSOKAT.

**▲ FIGYELMEZTETÉS:** NE HAGYJA, hogy (a termék többszöri használatából eredő) kényelem és megszokás váltsa fel a termék biztonsági előírásainak szigorú betartását.

**A HELYTELEN HASZNÁLAT és a használati útmutatóban szereplő biztonsági előírások megszegése súlyos személyi sérülésekhez vezethet.**

## Fontos biztonsági utasítások az akkumulátorra vonatkozóan

1. **Az akkumulátor használata előtt tanulmányozza át az akkumulátortöltőt (1), az akkumulátoron (2) és az akkumulátorral működtetett terméken (3) olvasható összes utasítást és figyelmeztető jelzést.**
2. **Ne szerelje szét az akkumulátort.**
3. **Ha a működési idő nagyon lerövidült, azonnal hagyja abba a használatot. Ez a túlmelegedés, esetleges égések és akár robbanás veszélyével is járhat.**
4. **Ha elektrolit kerül a szemébe, mossa ki azt tiszta vízzel és azonnal kérjen orvosi segítséget. Ez a látásának elvesztését okozhatja.**
5. **Ne zárja rövidre az akkumulátort:**
  - (1) **Ne érjen az érintkezőkhöz elektromosan vezető anyagokkal.**
  - (2) **Ne tárolja az akkumulátort más fémtárgyakkal, mint pl. szegekkel, érmekkel, stb. egy helyen.**
  - (3) **Ne tegye ki az akkumulátort víznek vagy esőnek.**
6. **Ne tárolja a szerszámot vagy az akkumulátort olyan helyen, ahol a hőmérséklet elérheti vagy meghaladhatja az 50 °C-ot (122 °F).**
7. **Ne égesse el az akkumulátort még akkor sem, ha az komolyan megsérült vagy teljesen elhasználódott. Az akkumulátor a tűzben felrobbanhat.**
8. **Vigyázzon, ne hagyja leejtse vagy megüsse az akkumulátort.**
9. **Ne használjon sérült akkumulátort.**
10. **A készülékben található lítium-ion akkumulátorokra a veszélyes árukkal kapcsolatos előírások vonatkoznak.**

A termék pl. harmadik felek, fuvarozó cégek stb. által történő szállítása esetén minden esetben tartsa szem előtt a csomagoláson és a címkén található speciális követelményeket.

A termék szállításra történő felkészítése esetén vegye fel a kapcsolatot egy veszélyes anyagokkal foglalkozó szakemberrel. Kérjük, hogy az esetlegesen szigorúbb nemzeti előírásokat is vegye figyelembe.

Ragassza le a kiálló érintkezőket, illetve oly módon csomagolja be az akkumulátort, hogy az ne tudjon elmozdulni a csomagolásban.
11. **Az akkumulátor ártalmatlanításakor tartsa be a helyi előírásokat.**
12. **Az akkumulátorokat csak a Makita által megjelölt termékekhez használja. Ha az akkumulátorokat azokkal nem kompatibilis termékekbe helyezi, az tűzhez, túlmelegedéshez, robbanáshoz vagy elektrolitszivárgáshoz vezethet.**

## ŐRIZZE MEG EZEKET AZ UTASÍTÁSOKAT.

**▲ VIGYÁZAT:** Csak eredeti Makita akkumulátorokat használjon. A nem eredeti Makita akkumulátorok vagy módosított akkumulátorok használatán esetén az akkumulátor felrobbanhat, ami tüzet, személyi sérülést és anyagi kárt okozhat. A Makita szerszáma és töltőre vonatkozó Makita garanciát is érvénytelenítheti.

## Tippek az akkumulátor maximális élettartamának eléréséhez

1. Töltse fel az akkumulátort, mielőtt teljesen lemerülne. Állítsa le a gépet, és töltse fel az akkumulátort, ha a gép erejének csökkenését észleli.
2. Soha ne töltse újra a teljesen feltöltött akkumulátort. A túltöltés csökkenti az akkumulátor élettartamát.
3. Töltse az akkumulátort szobahőmérsékleten, 10 °C - 40 °C (50 °F - 104 °F) között. Töltés előtt hagyja lehűlni a főforrosodott akkumulátort.
4. Töltse fel az akkumulátort, ha hosszabb ideje (több mint hat hónapja) nem használta azt.

## A MŰKÖDÉS LEÍRÁSA

**⚠ VIGYÁZAT:** Minden esetben ellenőrizze, hogy a szerszám ki van kapcsolva és az akkumulátor eltávolításra került mielőtt beállít vagy ellenőriz valamilyen funkciót a szerszámon.

### Az akkumulátor behelyezése és eltávolítása

**⚠ VIGYÁZAT:** Mindig kapcsolja ki az eszközt, mielőtt behelyezi vagy eltávolítja az akkumulátort.

**⚠ VIGYÁZAT:** Az akkumulátor behelyezésekor vagy eltávolításakor erősen fogja meg a szerszámot és az akkumulátort. Ha nem fogja erősen a szerszámot és az akkumulátort, azok kicsúszhatnak a kezei közül, ami a szerszám és az akkumulátor károsodásához, de akár személyi sérüléshez is vezethet.

▶ **Ábra1:** 1. Piros jel 2. Gomb 3. Akkumulátor

Az akkumulátoregység kivételéhez nyomja be az akkumulátoregység elején található gombot, és húzza le a gépről.

Az akkumulátor beszereléséhez illessze az akkumulátor nyelvért a burkolaton található vátatba és csúsztassa a helyére. Egészen addig tolja be, amíg az akkumulátor egy kis kattánással a helyére nem ugrik. Ha látható a piros jel a gomb felső oldalán, akkor a gomb nem kattan be teljesen.

**⚠ VIGYÁZAT:** Mindig tolja be teljesen az akkumulátort, amíg a piros jel el nem tűnik. Ha ez nem történik meg, akkor az akkumulátor kieshet a szerszámból, és Önnek vagy a környezetében másnak sérülést okozhat.
















**⚠ VIGYÁZAT:** Ne erőltesse az akkumulátort behelyezésre. Ha az akkumulátor nem csúszik be könnyedén, akkor nem megfelelően lett behelyezve.

## Az akkumulátor töltöttségének jelzése

**Csak állapotjelzős akkumulátorok esetén**

▶ **Ábra2:** 1. Jelzőlámpák 2. Check (ellenőrzés) gomb

Nyomja meg az ellenőrzőgombot, hogy az akkumulátortöltöttség-jelző megmutassa a hátralévő akkumulátor-kapacitást. Ekkor a töltöttségjelző lámpák néhány másodpercre kigyulladnak.

Jelzőlámpák			Töltöttségi szint
 Világító lámpa	 KI	 Villogó lámpa	
			75%-tól 100%-ig
			50%-tól 75%-ig
			25%-tól 50%-ig
			0%-tól 25%-ig
			Töltse fel az akkumulátort.
			Lehetséges, hogy az akkumulátor meghibásodott.

**MEGJEGYZÉS:** Az adott munkafeltételektől és a környezeti hőmérsékletétől függően a jelzett töltöttségi szint némileg eltérhet a tényleges töltöttségi szinttől.

## Szerszám-/akkumulátorvédő rendszer

A gép szerszám-/akkumulátorvédő rendszerrel van felszerelve. A rendszer automatikusan kikapcsolja a motor áramellátását, így megnöveli a szerszám és az akkumulátor élettartamát. A gép használat közben automatikusan leáll, ha a szerszám vagy az akkumulátor a következő állapotok valamelyikébe kerül:

### Túlterhelésvédelem

Ha az akkumulátort úgy használják, hogy az rendszeresen nagy áramot vesz fel, akkor a szerszám mindenfajta jelzés nélkül leáll. Ilyenkor kapcsolja ki a gépet, és fejezze be azt a műveletet, amelyik a túlterhelést okozza. Az újraindításhoz kapcsolja be a gépet.

### Túlmelegedés elleni védelem

Ha a szerszám vagy az akkumulátor túlmelegszik, akkor automatikusan leáll, és a lámpa villogni kezd. Ilyenkor hagyja lehűlni a szerszámot és az akkumulátort, mielőtt ismét munkához látna.

### Mélykisütés elleni védelem

Amikor az akkumulátor kapacitása már alacsony, a gép automatikusan leáll. Ebben az esetben távolítsa el az akkumulátort a szerszámból és töltse fel.

## A kapcsoló használata

**▲ FIGYELMEZTETÉS:** Mielőtt behelyezi az akkumulátort a szerszámba, mindig ellenőrizze, hogy a kapcsológomb hibátlanul működik és felengedéskor „OFF” állásba áll-e.

► **Ábra3:** 1. Kapcsológomb 2. Reteszelőgomb

A szerszám bekapcsolásához húzza meg a kapcsológombot. Ha erősebben nyomja a kapcsológombot, a szerszám fordulatszámja növekszik. A megállításához engedje el a kapcsológombot.

A folyamatos működéshez húzza meg a kapcsológombot, nyomja be a reteszelőgombot, majd engedje el a kapcsológombot. A szerszám rögzítésének kioldásához teljesen húzza meg, majd engedje el a kapcsológombot.

**▲ VIGYÁZAT:** Huzamosabb használatkor a kapcsoló kezelő munkájának megkönnyítése érdekében a bekapcsolt (ON) pozícióban rögzíthető. Legyen elővigyázatos a szerszám bekapcsolt (ON) pozícióba rögzítésekor, és szilárdan fogja meg a szerszámot.

**MEGJEGYZÉS:** A behajtócsúcs még bekapcsolt kapcsoló és járó motor mellett sem működik. Nyomja előre a szerszámot a tengelykapcsoló bekapcsolásához.

**MEGJEGYZÉS:** A szerszám automatikusan megáll, ha a motor nagyjából 6 percig folyamatosan forog.

## Nyomásra aktiválódó hajtás üzemmód

► **Ábra4:** 1. Gomb 2. Üzem mód jelzőfénye

A szerszám nyomásra aktiválódó hajtás üzemmóddal rendelkezik. Ebben az üzemmódban a szerszám lekapcsolja a motor tápellátását, hogy használaton kívül energiát takarítson meg az akkumulátor számára. A nyomásra aktiválódó hajtás üzemmód kiválasztásához húzza meg kissé a kioldókapcsolót, majd engedje el és gyorsan nyomja be a gombot. Az üzemmód jelzőfénye kigyullad.

Ha a nyomásra aktiválódó hajtás aktív, húzza meg a kapcsológombot, majd nyomja be a reteszelő gombot. Ha benyomja a behajtócsúcsot, a motor forgása elindul. További nyomásra bekapcsol a tengelykapcsoló, és a behajtócsúcs is elkezd forgogni. A nyomásra aktiválódó hajtás üzemmódban a motor és a behajtócsúcs csak nyomás hatására forog.

**MEGJEGYZÉS:** Ha a szerszám kb. 8 órán át nem működik nyomásra aktiválódó hajtás üzemmódban reteszelt kioldókapcsoló mellett, a szerszám leáll. Ilyen esetben engedje fel és húzza meg ismét a kioldókapcsolót az újraindításhoz.

## Az elülső lámpa bekapcsolása

**▲ VIGYÁZAT:** Ne tekintsen a fénybe vagy ne nézze egyenesen a fényforrást.

► **Ábra5:** 1. Lámpa 2. Gomb

A lámpa bekapcsolásához enyhén húzza meg a kapcsológombot, majd engedje el. A lámpa a kapcsológomb elengedése után 10 másodperccel alszik ki. A lámpa kikapcsolásához kissé húzza meg a kapcsológombot, engedje el, majd nyomja meg a gombot néhány másodpercre. A lámpa bekapcsolásához ismét tegye meg a műveletet.

A nyomásra aktiválódó hajtás üzemmódban a kapcsológomb reteszelt állapotában a lámpa kb. egy perc után elalszik a motor leállítását követően.

**MEGJEGYZÉS:** A kapcsológomb meghúzása közben a lámpa állapota nem módosítható.

**MEGJEGYZÉS:** Körülbelül 10 másodperccel a kapcsológomb felengedését követően módosítható a lámpa állapota.

**MEGJEGYZÉS:** Száraz ruhadarabbal törölje le a szennyeződést a lámpa lencséjéről. Ügyeljen arra hogy ne karcolja meg a lámpa lencséjét, ez csökkentheti a megvilágítás erősségét.

## Forgásirányváltó kapcsolókar működése

► **Ábra6:** 1. Forgásirányváltó kapcsolókar

**▲ VIGYÁZAT:** Használat előtt mindig ellenőrizze a beállított forgásirányt.

**▲ VIGYÁZAT:** A forgásirányváltó kapcsolókat csak azután használja, hogy a szerszám teljesen megállt. A forgásirány megváltoztatása a szerszám leállása előtt a gép károsodását okozhatja.

**▲ VIGYÁZAT:** Amikor nem működteti a szerszámot, a forgásirányváltó kapcsolókat mindig állítsa a semleges állásba.

Ez a szerszám forgásirányváltó kapcsolóval van felszerelve a forgásirány megváltoztatásához. Mozgassa az forgásirányváltó kapcsolókat a ⇐ pozícióba (A oldal) az óramutató járásával megegyező vagy a ⇒ pozícióba (B oldal) az azzal ellentétes irányú forgáshoz. Amikor a forgásirányváltó kapcsolókar semleges pozícióban van, akkor a kapcsológombot nem lehet behúzni.

## Mélységbeállítás

► **Ábra7:** 1. Rögzítő

A mélység a rögzítő elfordításával állítható. Forgassa azt a „B” irányba a kisebb mélység, illetve „A” irányba a nagyobb mélység beállításához. A rögzítő 1 teljes fordulata 2 mm (1/16”) mélységváltozásnak felel meg.

**DFS250 esetén**

► **Ábra8:** 1. Rögzítő

## DFS251 esetén

### ► Ábra9: 1. Rögzítő

Állítsa be a rögzítőt úgy, hogy a rögzítő hegye és a csavar feje között körülbelül 3 mm (1/8") legyen, amint az az ábrákon is látható. Csavarjon be egy próbacsavart az anyagba, vagy egy azonos anyagból készült próbadarabba. Ha a mélység még mindig nem megfelelő a csavarhoz, folytassa a beállítást addig, amíg el nem éri a kívánt mélységbeállítást.

## Akasztó

**⚠ VIGYÁZAT:** Mindig vegye ki az akkumulátort a gépből, amikor felakasztja azt az akasztóval.

**⚠ VIGYÁZAT:** Soha ne akassza a szerszámot magas helyre vagy nem teljesen stabil felületre.

### ► Ábra10: 1. Övtartó

Az akasztó a gép ideiglenes felakasztására szolgál.

## ÖSSZESZERELÉS

**⚠ VIGYÁZAT:** Minden esetben ellenőrizze, hogy a szerszám ki van kapcsolva és az akkumulátort levette, mielőtt bármilyen műveletet végez a szerszámon.

## A behajtócsúcs vagy dugókulcsbetét behelyezése és kivétele

## DFS250 esetén

### ► Ábra11: 1. Rögzítő

### ► Ábra12: 1. Rögzítő 2. Behajtócsúcs 3. Mágneses betéttartó

A behajtócsúcs eltávolításához húzza meg a rögzítőt, majd fogja meg a betétet egy fogóval és húzza ki a mágneses betéttartóból. A behajtócsúcs behelyezéséhez nyomja be a mágneses csúcstartóba. Ezután erősen a helyére nyomva illesse vissza a rögzítőt.

## DFS251 esetén

### ► Ábra13: 1. Rögzítő

### ► Ábra14: 1. Rögzítő 2. Foglалatelem

A foglалatelem eltávolításához húzza meg a rögzítőt, majd húzza ki a foglалatelemet. A foglалatelem behelyezéséhez nyomja be a helyére. Ezután erősen a helyére nyomva illesse vissza a rögzítőt.

## Akasztó

### ► Ábra15: 1. Horony 2. Akasztó 3. Csavart

Az akasztó a gép ideiglenes felakasztására szolgál. Felszerelhető a gép mindkét oldalára.

Az akasztó felszereléséhez helyezze azt a gép burkolatának két oldalán található horonyok valamelyikébe, majd rögzítse egy csavarral. A leszereléshez csavarja ki a csavart és vegye le az akasztót.

## MŰKÖDTETÉS

## Csavarbehajtás

### ► Ábra16

Illesse a csavart a betét hegyére és helyezze a csavar hegyét a rögzíteni kívánt munkadarab felületére. Fejtsen ki nyomást a szerszámmra és indítsa be. Húzza vissza a szerszámot, amint a tengelykapcsoló szétkapcsol. Ezután engedje fel kapcsológombot.

**⚠ VIGYÁZAT:** Amikor a csavart a betét hegyére illeszti, legyen óvatos, nehogy benyomja a hegyet a csavarfejbe. Ha benyomja azt a csavarfejbe, akkor a tengelykapcsoló összekapcsolódik és a csavar hirtelen fogogni kezd. Ez károsíthatja a munkadarabot vagy sérülésekhez vezethet.

**⚠ VIGYÁZAT:** Ellenőrizze, hogy a csavarhúzóbetét egyenesen lett behelyezve a csavarfejbe, mert ellenkező esetben a csavar és/vagy a betét károsodhat.

## KARBANTARTÁS

**⚠ VIGYÁZAT:** Minden esetben ellenőrizze, hogy a szerszám ki van kapcsolva és az akkumulátor eltávolításra került mielőtt átvizsgálja a szerszámot vagy annak karbantartását végzi.

**MEGJEGYZÉS:** Soha ne használjon gázolajt, benzint, hígítót, alkoholt vagy hasonló anyagokat. Ezek elszíneződést, alakvesztést vagy repedést okozhatnak.

A termék BIZTONSÁGÁNAK és MEGBÍZHATÓSÁGÁNAK fenntartása érdekében a javításokat és más karbantartásokat vagy beállításokat a Makita hivatalos vagy gyári szervizközpontjában kell elvégezni, mindig csak Makita cserealkatrészeket használva.

## OPCIONÁLIS KIEGÉSZÍTŐK

**⚠ VIGYÁZAT:** Ezen kiegészítőket és tartozékokat javasoljuk a kézikönyvben ismertetett Makita szerszámmal. Bármilyen más kiegészítő vagy tartozék használata a személyi sérülés kockázatával jár. A kiegészítő vagy tartozékokat csak rendeltetészerűen használja.

Ha bármilyen segítségre vagy további információkra van szüksége ezekkel a tartozékokkal kapcsolatban, keresse fel a helyi Makita Szervizközpontot.

- Behajtócsúcsok
- Mágneses betéttartó
- Dugókulcsbetétek
- Eredeti Makita akkumulátor és töltő
- Műanyag hordtáska

**MEGJEGYZÉS:** A listán felsorolt néhány kiegészítő megtalálható az eszköz csomagolásában standard kiegészítőként. Ezek országonként eltérőek lehetnek.



# TECHNICKÉ ŠPECIFIKÁCIE

Model:		DFS250	DFS251
Možnosti upínania	Samorezná skrutka	6 mm	
	Skrutka do sadrokartónu	5 mm	
Otáčky naprázdno (OT./MIN.)		0 - 2 500 min <sup>-1</sup>	
Celková dĺžka	S krátkym nastavovacím prvkom	223 mm	-
	S dlhým nastavovacím prvkom	239 mm	-
Celková dĺžka		-	217 mm
Menovité napätie		Jednosmerný prúd 18 V	
Čistá hmotnosť		1,5 – 1,9 kg	1,5 – 1,8 kg

- Vzhľadom k neustálemu výskumu a vývoju podliehajú technické údaje uvedené v tomto dokumente zmenám bez upozornenia.
- Technické údaje sa môžu pre rôzne krajiny líšiť.
- Hmotnosť sa môže líšiť v závislosti od nadstavcov vrátane akumulátora. Najľahšia a najťažšia kombinácia v súlade s postupom EPTA 01/2014 je uvedená v tabuľke.

## Použiteľné akumulátory a nabíjačky

Akumulátor	BL1815N / BL1820 / BL1820B / BL1830 / BL1830B / BL1840 / BL1840B / BL1850 / BL1850B / BL1860B
Nabíjačka	DC18RC / DC18RD / DC18RE / DC18SD / DC18SE / DC18SF

- Niektoré vyššie uvedené akumulátory a nabíjačky môžu byť nedostupné v závislosti od miesta vášho bydliska.

**VAROVANIE:** Používajte iba akumulátory a nabíjačky zo zoznamu uvedeného vyššie. Používanie akýchkoľvek iných akumulátorov a nabíjačiek môže spôsobiť zranenie a/alebo požiar.

## Určené použitie

Tento nástroj je určený na skrútkovanie skrutiek do dreva, kovu a plastu.

## Hluk

Typická hladina akustického tlaku záťaže A určená podľa štandardu EN62841:

### Model DFS250

Úroveň akustického tlaku ( $L_{pA}$ ): 72 dB (A)  
Odchýlka (K): 3 dB (A)

### Model DFS251

Úroveň akustického tlaku ( $L_{pA}$ ): 72 dB (A)  
Odchýlka (K): 3 dB (A)

Úroveň hluku pri práci môže prekročiť 80 dB (A).

**VAROVANIE:** Používajte ochranu sluchu.

## Vibrácie

Celková hodnota vibrácií (trojosový vektorový súčet) určená podľa štandardu EN62841:

### Model DFS250

Režim činnosti: skrútkovanie bez rázov  
Emisie vibrácií ( $a_{hV}$ ): 2,5 m/s<sup>2</sup> alebo menej  
Odchýlka (K): 1,5 m/s<sup>2</sup>

### Model DFS251

Režim činnosti: skrútkovanie bez rázov  
Emisie vibrácií ( $a_{hV}$ ): 2,5 m/s<sup>2</sup> alebo menej  
Odchýlka (K): 1,5 m/s<sup>2</sup>

**POZNÁMKA:** Deklarovaná hodnota emisií vibrácií bola meraná podľa štandardnej skúšobnej metódy a môže sa použiť na porovnanie jedného nástroja s druhým.

**POZNÁMKA:** Deklarovaná hodnota emisií vibrácií sa môže použiť aj na predbežné posúdenie vystavenia ich účinkom.

**VAROVANIE:** Emisie vibrácií počas skutočného používania elektrického nástroja sa môžu odlišovať od deklarovanej hodnoty emisií vibrácií, a to v závislosti od spôsobov používania náradia.

**VAROVANIE:** Nezabudnite označiť bezpečnostné opatrenia s cieľom chrániť obsluhu, a to tie, ktoré sa zakladajú na odhade vystavenia účinkom v rámci reálnych podmienok používania (berúc do úvahy všetky súčasti prevádzkového cyklu, ako sú doby, kedy je nástroj vypnutý a kedy beží bez zaťaženia, ako dodatok k dobe zapnutia).

## Vyhlasenie o zhode ES

### Len pre krajiny Európy

Vyhlasenie o zhode ES sa nachádza v prílohe A tohto návodu na obsluhu.



# BEZPEČNOSTNÉ VAROVANIA

## Všeobecné bezpečnostné predpisy pre elektrické nástroje

**VAROVANIE:** Preštudujte si všetky bezpečnostné varovania, pokyny, vyrobzenia a technické špecifikácie určené pre tento elektrický nástroj. Pri nedodržaní všetkých nižšie uvedených pokynov môže dôjsť k úrazu elektrickým prúdom, požiaru alebo vážnemu zraneniu.

## Všetky výstrahy a pokyny si odložte pre prípad potreby v budúcnosti.

Pojem „elektrický nástroj“ sa vo výstrahách vzťahuje na elektricky napájané elektrické nástroje (s káblom) alebo batériou napájané elektrické nástroje (bez kábla).

## Bezpečnostné varovania pre akumulátorový skrutkovač

1. Pri práci, keď sa upínací prvok môže dostať do kontaktu so skrytým vedením, držte elektrické náradie len za izolované úchopné povrchy. Upínací prvok, ktorý sa dostane do kontaktu so „živým“ vodičom môže spôsobiť vystavenie kovových častí elektrického náradia „živému“ prúdu a spôsobiť tak obsluhu zasiahanutie elektrickým prúdom.
2. Vždy dbajte na pevný postoj.  
Ak pracujete vo výškach, dbajte na to, aby pod vami nikto nebol.
3. Náradie držte pevne.
4. Nepribližujte ruky k otáčajúcim sa časťam.
5. Nedotýkajte sa nástavca alebo obrobku hneď po úkone; môžu byť extrémne horúce a môžu popáliť vašu pokožku.
6. Obrobok vždy upínajte do zveráka či do podobného upevňovacieho zariadenia.

## TIETO POKYNY USCHOVAJTE.

**VAROVANIE:** NIKDY nepripustíte, aby seba-vedomie a dobrá znalosť výrobu (získané opakovaným používaním) nahradili presné dodržiavanie bezpečnostných pravidiel pre náradie.

**NESPRÁVNE POUŽÍVANIE** alebo nedodržiavanie bezpečnostných zásad uvedených v tomto návode môže viesť k vážnemu zraneniu.

## Dôležité bezpečnostné a prevádzkové pokyny pre akumulátor

1. Pred použitím akumulátora si prečítajte všetky pokyny a výstražné označenia na (1) nabíjačke akumulátorov, (2) akumulátore a (3) produkte používajúcom akumulátor.
2. Akumulátor nerozoberajte.
3. Ak sa doba prevádzky príliš skráti, ihneď prerušte prácu. Môže nastať riziko prehriatia, možných popálení či dokonca explózie.

4. V prípade zasiahnutia očí elektrolytom ich vypláchnite čistou vodou a okamžite vyhľadajte lekársku pomoc. Môže dôjsť k strate zraku.
5. Akumulátor neskratujte:
  - (1) Nedotýkajte sa konektorov žiadnym vodivým materiálom.
  - (2) Neskladujte akumulátor v obale s inými kovovými predmetmi, napríklad klíncami, mincami a pod.
  - (3) Akumulátor nevystavujte vode ani dažďu. Skrat akumulátora môže spôsobiť veľký tok prúdu, prehriatie, možné popálenie či dokonca poruchu.
6. Neskladujte nástroj ani akumulátor na miestach s teplotou presahujúcou 50 °C (122 °F).
7. Akumulátor nespáľujte, ani keď je vážne poškodený alebo úplne opotrebovaný. Akumulátor môže v ohni explodovať.
8. Dávajte pozor, aby akumulátor nespadol, a nevystavujte ho nárazom.
9. Nepoužívajte poškodený akumulátor.
10. Litium-iónové akumulátory, ktoré sú súčasťou náradia, podliehajú požiadavkám legislatívy o nebezpečnom tovare.

V prípade obchodnej prepravy, napr. dodanie tretími stranami či špeditériami, sa musia dodržiavať špeciálne požiadavky na zabalenie a označenie. Pred prípravou položky na odoslanie sa vyžaduje konzultácia s odborníkom na nebezpečný materiál. Taktiež treba dodržiavať potencionálne podrobnejšie predpisy príslušnej krajiny. Prelepte alebo zakryte otvorené kontakty a zabaľte akumulátor tak, aby sa v balíku nemohol voľne pohybovať.

11. Akumulátor zlikvidujte v súlade s miestnymi nariadeniami.
12. Akumulátory používajte iba s výrobkami uvedenými spoločnosťou Makita. Inštalácia akumulátorov do nevyhovujúcich výrobkov môže spôsobiť požiar, nadmerné teplo, výbuch alebo únik elektrolytov.

## TIETO POKYNY USCHOVAJTE.

**POZOR:** Používajte len originálne akumulátory od spoločnosti Makita. Používanie batérií, ktoré nie sú od spoločnosti Makita, alebo upravených batérií môže spôsobiť výbuch batérie a následný požiar, zranenie osôb alebo poškodeniu majetku. Následkom bude aj zrušenie záruky od spoločnosti Makita na nástroj a nabíjačku od spoločnosti Makita.

## Rady na udržanie maximálnej životnosti akumulátora

1. Akumulátor nabíte ešte predtým, ako sa úplne vybije. Vždy prerušte prácu s nástrojom a nabíte akumulátor, keď spozorujete nižší výkon nástroja.
2. Nikdy nenabíjate plne nabitý akumulátor. Prebíjanie skracuje životnosť akumulátora.
3. Akumulátor nabíjajte pri izbovej teplote 10 °C – 40 °C (50 °F – 104 °F). Pred nabíjaním nechajte horúci akumulátor vychladnúť.
4. Litium-iónový akumulátor nabíte, ak ste ho nepoužívali dlhšie ako šesť mesiacov.

## OPIS FUNKCIÍ

**⚠️ POZOR:** Pred úpravou alebo kontrolou funkčnosti nástroja vždy skontrolujte, či je nástroj vypnutý a akumulátor je vybratý.

### Inštalácia alebo demontáž akumulátora

**⚠️ POZOR:** Pred inštaláciou alebo vybratím akumulátora nástroj vždy vypnite.

**⚠️ POZOR:** Pri inštalovaní a vyberaní akumulátora pevne uchopíte nástroj a akumulátor. Ak nástroj a akumulátor pevne neuchopíte, môže to mať za následok vyšmyknutie z vašich rúk s dôsledkom poškodenia nástroja a akumulátora, ako aj osobných poranení.

► Obr.1: 1. Červený indikátor 2. Tlačidlo 3. Akumulátor

Ak chcete vybrať akumulátor, vysuňte ho z nástroja, pričom posuňte tlačidlo na prednej strane akumulátora.

Akumulátor vložíte tak, že jazýček akumulátora zarovnáte s drážkou v kryte a zasuniete ho na miesto. Zatlačte ho úplne, kým zakliknutím nezapadne na miesto. Ak vidíte červený indikátor na hornej strane tlačidla, nie je správne zapadnutý.

**⚠️ POZOR:** Akumulátor vždy nainštalujte úplne, až kým nie je vidieť červený indikátor. V opačnom prípade môže náhodne vypadnúť z nástroja a ublížiť vám alebo osobám v okolí.















**⚠️ POZOR:** Pri inštalovaní akumulátora nepoužívajte silu. Ak sa akumulátor nedá zasunúť ľahko, nekladáte ho správne.

### Indikácia zvyšnej kapacity akumulátora

Len na akumulátory s indikátorom

► Obr.2: 1. Indikátory 2. Tlačidlo kontroly

Stlačením tlačidla kontroly na akumulátore zobrazíte zostávajúcu kapacitu akumulátora. Indikátory sa na niekoľko sekúnd rozsvietia.

Indikátory			Zostávajúca kapacita
 Svieti	 Nesvieti	 Bliká	
			75 % až 100 %
			50 % až 75 %
			25 % až 50 %
			0 % až 25 %
			Akumulátor nabíja.
			Akumulátor je možno chybný.
			

**POZNÁMKA:** V závislosti od podmienok používania a v závislosti od okolitej teploty sa môže zobrazenie mierne odlišovať od skutočnej kapacity.

## System na ochranu nástroja/akumulátora

Nástroj je vybavený systémom ochrany nástroja/akumulátora. Tento systém automaticky vypne napájanie motora s cieľom predĺžiť životnosť nástroja a akumulátora. Nástroj sa počas prevádzky automaticky zastaví v prípade, ak sa nástroj alebo akumulátor dostanú do jedného z nasledujúcich stavov:

### Ochrana proti preťaženiu

Keď sa akumulátor používa spôsobom, ktorý spôsobuje odber neštandardne vysokého prúdu, nástroj sa bez upozornenia automaticky vypne. V tejto situácii vypnite nástroj a ukončíte prácu, ktorá spôsobuje jeho preťažovanie. Potom nástroj znova zapnite.

### Ochrana pred prehrievaním

Ak je nástroj prehriaty, automaticky sa zastaví a začne blikať svetlo. V takomto prípade nechajte nástroj/akumulátor pred opätovným spustením vychladnúť.

### Ochrana pred nadmerným vybitím

Keď je kapacita akumulátora nedostatočná, nástroj sa automaticky vypne. V takomto prípade vyberte akumulátor z nástroja a nabíjajte ho.

## Zapínanie

**⚠️ VAROVANIE:** Pred vložením akumulátora do nástroja sa vždy presvedčíte, či spúšťací spínač funguje správne a po uvoľnení sa vráti do pozície „OFF“.

► Obr.3: 1. Spúšťací spínač 2. Tlačidlo odomknutia

Ak chcete nástroj spustiť, stlačí tlačíť jeho spúšťací spínač. Rýchlosť nástroja sa zvyšuje zvyšovaním prítlaku na spúšťací spínač. Nástroj zastavíte uvoľnením spúšťacieho spínača.

Pokiaľ chcete pracovať nepretržite, potiahnite spúšťací spínač, stlačte tlačidlo zamknutia a následne uvoľnite spúšťací spínač. Nástroj z uzamknutej polohy odomknete úplným potiahnutím spúšťacieho spínača a jeho následným uvoľnením.

**⚠️ POZOR:** Operátor môže počas dlhšieho používania zablokovat' spúšť v zapnutej polohe „ON“, čo mu uľahčí prácu. Pri blokovaní náradia v zapnutej polohe „ON“ dávajte pozor a zachovajte pevné držanie náradia.

**POZNÁMKA:** Aj ak je vypínač aktivovaný a motor beží, nástavec skrutkovača sa neotáča. Zatlačením náradia smerom dopredu vyradíte spojku.

**POZNÁMKA:** Ak motor bude bežať asi 6 minút, náradie sa automaticky zastaví.

## Režim spustenia pri zatlačení

► **Obr.4:** 1. Tlačidlo 2. Indikátor režimu

Toto náradie je vybavené režimom spustenia pri zatlačení. Náradie pri používaní tohto režimu vypne v režime voľnobehu napájanie motora s cieľom šetriť energiu akumulátora.

Ak chcete vybrať režim spustenia pri zatlačení, slabo stlačte spúšťací spínač, uvoľnite ho a rýchlo stlačte tlačidlo. Následne sa rozsvieti indikátor režimu.

Po spustení pri zatlačení stlačte spúšťací spínač a potom stlačte poistné tlačidlo. Po vyvinutí tlaku na nástavec skrutkovača sa motor spustí. Po zvýšení tlaku sa zaradí spojka a nástavec skrutkovača sa začne otáčať. V režime spustenia pri zatlačení sa motor spustí a nástavec skrutkovača sa bude otáčať len pri vyvíjaní tlaku.

**POZNÁMKA:** Ak náradie nespustíte asi 8 hodín v režime spustenia pri zatlačení so zaisteným spúšťacím spínačom, náradie sa vypne. V takom prípade náradie znova spustíte uvoľnením a opätovným stlačením spúšťacieho spínača.

## Zapnutie prednej lampy

**▲POZOR:** Nedívaťe sa priamo do svetla ani jeho zdroja.

► **Obr.5:** 1. Lampa 2. Tlačidlo

Ak chcete zapnúť svetlo, slabo stlačte a uvoľnite spúšťací spínač. Svetlo zhasne asi 10 sekúnd po uvoľnení spúšťacieho spínača.

Ak chcete aby sa svetlo vypínalo, slabo stlačte spúšťací spínač, uvoľnite ho a potom na niekoľko sekúnd stlačte tlačidlo. Ak chcete svetlo rozsvietiť, postupujte znova rovnakým spôsobom.

V režime spustenia pri zatlačení so zaisteným spúšťacím spínačom bude svetlo svietiť ešte asi jednu minútu po zastavení motora.

**POZNÁMKA:** Počas stláčania spúšťacieho spínača nie je možné zmeniť stav svetla.

**POZNÁMKA:** Stav svetla možno zmeniť asi o 10 sekúnd po uvoľnení spúšťacieho spínača.

**POZNÁMKA:** Suchou tkaninou utrite znečistené šošovky lampy. Dávajte pozor, aby sa šošovky lampy nepoškriabali. Mohla by sa znížiť intenzita osvetlenia.

## Činnosť prepínacej páčky smeru otáčania

► **Obr.6:** 1. Prepínacia páčka smeru otáčania

**▲POZOR:** Pred začatím činnosti vždy skontrolujte smer otáčania.

**▲POZOR:** Smer otáčania prepínajte až po úplnom zastavení nástroja. Pri zmene smeru otáčania pred úplným zastavením by sa mohol nástroj poškodiť.

**▲POZOR:** Keď nástroj nepoužívate, prepínaciu páčku smeru otáčania vždy prepnite do neutrálnej polohy.

Tento nástroj má prepínaciu páčku smeru otáčania. Zatlačte prepínaciu páčku smeru otáčania do polohy ⇐ (strana A) na otáčanie v smere pohybu hodinových ručičiek alebo do polohy ⇨ (strana B) na otáčanie proti smeru pohybu hodinových ručičiek. Keď je prepínacia páčka smeru otáčania v neutrálnej polohe, spúšťací spínač sa nedá potiahnuť.

## Prispôsobenie hĺbky

► **Obr.7:** 1. Nastavovací prvok

Hĺbku je možné nastaviť otáčaním nastavovacieho prvku. Otočením v smere „B“ sa hĺbka zmenší a otočením v smere „A“ sa hĺbka zväčší. Jedno celé otočenie nastavovacím prvkom spôsobí zmenu hĺbky o 2 mm (1/16").

**Pre model DFS250**

► **Obr.8:** 1. Nastavovací prvok

**Pre model DFS251**

► **Obr.9:** 1. Nastavovací prvok

Nastavte nastavovací prvok tak, aby vzdialenosť medzi hrotom nastavovacieho prvku a hlavou skrutky bol približne 3 mm (1/8"), podľa zobrazenia na obrázkoch. Do materiálu alebo do kúska rovnakého materiálu naskrutkujte skúšobnú skrutku. Ak nie je hĺbka pre skrutku dostatočná, upravte nastavenie, kým nedosiahnete správnu hĺbku.

## Hák

**▲POZOR:** Ak chcete náradie zavesiť na hák, vždy z neho vyberte akumulátor.

**▲POZOR:** Náradie nikdy nevesajte do výšky ani na potenciálne nestabilný povrch.

► **Obr.10:** 1. Hák

Hák je vhodný na dočasné zavesenie nástroja.

## ZOSTAVENIE

**▲POZOR:** Pred vykonaním akejkoľvek práce na nástroji vždy skontrolujte, či je nástroj vypnutý a akumulátor je vybraný.

## Montáž alebo demontáž nástavca skrutkovača/nástavca s objímkou

**Pre model DFS250**

► **Obr.11:** 1. Nastavovací prvok

► **Obr.12:** 1. Nastavovací prvok 2. Nástavec skrutkovača 3. Magnetický držiak nástavca

Pred vybratím nástavca skrutkovača vytiahnite nastavovací prvok a potom uchopte nástavec skrutkovača kliešťami a vytiahnite ho z magnetického držiaka nástavca. Ak chcete nasadiť nástavec skrutkovača, zatlačte ho pevne do magnetického držiaka nástavca. Potom založte nastavovací prvok zatlačením silno dozadu.

## Pre model DFS251

- **Obr.13:** 1. Nastavovací prvok  
► **Obr.14:** 1. Nastavovací prvok 2. Nástrčkový nástavec

Pri vyberaní nástrčkového nástavca najprv vytiahnite nastavovací prvok a až potom nástrčkový nástavec. Nástrčkový nástavec nasadíte silným zatlačením do objímky. Potom založte nastavovací prvok zatlačením silno dozadu.

### Háčik

- **Obr.15:** 1. Drážka 2. Háčik 3. Skrutka

Hák je vhodný na dočasné zavesenie nástroja. Môže sa namontovať na ktorúkoľvek stranu nástroja.

Hák namontujete tak, že ho vložíte do drážky na tele nástroja na ktorejkoľvek strane a potom ho zaistíte skrutkou. Vyberiete ho uvoľnením skrutky.

## PREVÁDZKA

### Skrutkovanie

- **Obr.16**

Nasadte skrutku na nástavec skrutkovača a hrot skrutky priložte na povrch obrobku, ktorý sa má upevniť. Prítláčením náradie spustíte. Náradie odtiahnite bezprostredne po rozpojení spojky. Potom uvoľnite spúšťací spínač.

**⚠ POZOR:** Pri nasadzovaní skrutky na hrot skrutkovača dávajte pozor, aby ste na skrutku netlačili. Ak na ňu zatlačíte, spojka sa aktivuje a skrutka sa náhle roztočí. To môže zapríčiniť poškodenie obrobku alebo spôsobiť zranenie.

**⚠ POZOR:** Skontrolujte, či je nástavec skrutkovača v hlave skrutky založený rovno, v opačnom prípade sa môže skrutka alebo nástavec skrutkovača poškodiť.

## ÚDRŽBA

**⚠ POZOR:** Pred vykonaním kontroly alebo údržby vždy skontrolujte, či je nástroj vypnutý a akumulátor je vybratý.

**UPOZORNENIE:** Nepoužívajte benzín, riedidlo, alkohol ani podobné látky. Mohlo by to spôsobiť zmenu farby, deformácie alebo praskliny.

Ak chcete udržať BEZPEČNOSŤ a BEZPORUCHOVOSŤ výrobku, prenechajte opravy, údržbu a nastavenie na autorizované alebo továrenské servisné centrá Makita, ktoré používajú len náhradné diely značky Makita.

## VOLITEĽNÉ PRÍSLUŠENSTVO

**⚠ POZOR:** Pre váš nástroj Makita, opísaný v tomto návode, doporučujeme používať toto príslušenstvo a nástavce. Pri použití iného príslušenstva či nástavcov môže hroziť nebezpečenstvo zranenia osôb. Príslušenstvo a nástavce sa môžu používať len na účely pre ne stanovené.

Ak potrebujete bližšie informácie týkajúce sa tohoto príslušenstva, obráťte sa na vaše miestne servisné stredisko firmy Makita.

- Nástavce skrutkovača
- Magnetický držiak nástavce
- Nástavce s objímkou
- Originálna batéria a nabíjačka Makita
- Plastový kufrík

**POZNÁMKA:** Niektoré položky zo zoznamu môžu byť súčasťou balenia nástrojov vo forme štandardného príslušenstva. Rozsah týchto položiek môže byť v každej krajine odlišný.

## SPECIFIKACE

Model:		DFS250	DFS251
Šroubovací výkon	Samovrtný šroub	6 mm	
	Vrut do sádrokartonu	5 mm	
Otáčky bez zátížení (ot./min)		0–2 500 min <sup>-1</sup>	
Celková délka	S krátkým lokátorem	223 mm	-
	S dlouhým lokátorem	239 mm	-
Celková délka		-	217 mm
Jmenovité napětí		18 V DC	
Čistá hmotnost		1,5–1,9 kg	1,5–1,8 kg

- Vzhledem k neustálému výzkumu a vývoji zde uvedené technické údaje podléhají změnám bez upozornění.
- Specifikace se mohou pro různé země lišit.
- Hmotnost se může lišit v závislosti na nástavcích a přídatných zařízeních, včetně akumulátoru. Nejlehčí a nejtěžší kombinace, dle EPTA-Procedure 01/2014, jsou uvedeny v tabulce níže.

## Použitelný akumulátor a nabíječka

Akumulátor	BL1815N / BL1820 / BL1820B / BL1830 / BL1830B / BL1840 / BL1840B / BL1850 / BL1850B / BL1860B
Nabíječka	DC18RC / DC18RD / DC18RE / DC18SD / DC18SE / DC18SF

- V závislosti na regionu vašeho bydliště nemusí být některé akumulátory a nabíječky k dispozici.

**VAROVÁNÍ:** Používejte pouze výše uvedené akumulátory a nabíječky. Použití jiných akumulátorů a nabíječek může způsobit zranění a/nebo požár.

## Účel použití

Nářadí je určeno ke šroubování do dřeva, kovů a plastů.

## Hlučnost

Typická vážená hladina hluku (A) určená podle normy EN62841:

### Model DFS250

Hladina akustického tlaku ( $L_{pA}$ ): 72 dB(A)

Nejistota (K): 3 dB(A)

### Model DFS251

Hladina akustického tlaku ( $L_{pA}$ ): 72 dB(A)

Nejistota (K): 3 dB(A)

Hladina hluku při práci může překročit hodnotu 80 dB (A).

**VAROVÁNÍ:** Používejte ochranu sluchu.

## Vibrace

Celková hodnota vibrací (vektorový součet tří os) určená podle normy EN62841:

### Model DFS250

Pracovní režim: šroubování bez přiklepu

Emise vibrací ( $a_h$ ): 2,5 m/s<sup>2</sup> nebo méně

Nejistota (K): 1,5 m/s<sup>2</sup>

### Model DFS251

Pracovní režim: šroubování bez přiklepu

Emise vibrací ( $a_h$ ): 2,5 m/s<sup>2</sup> nebo méně

Nejistota (K): 1,5 m/s<sup>2</sup>

**POZNÁMKA:** Hodnota deklarovaných emisí vibrací byla změřena standardní zkušební metodou a dá se použít k porovnání nářadí mezi sebou.

**POZNÁMKA:** Hodnotu deklarovaných emisí vibrací lze také použít k předběžnému posouzení míry expozice vibracím.

**VAROVÁNÍ:** Emise vibrací při používání elektrického nářadí ve skutečnosti se mohou od hodnoty deklarovaných emisí vibrací lišit v závislosti na způsobech použití nářadí.

**VAROVÁNÍ:** Nezapomeňte stanovit bezpečnostní opatření na ochranu obsluhy podle odhadu expozice ve skutečných podmínkách použití. (Vezměte přitom v úvahu všechny části provozního cyklu, tj. kromě doby zátěže například doby, kdy je nářadí vypnuté a kdy běží naprázdno.)

## Prohlášení ES o shodě

### Pouze pro evropské země

Prohlášení ES o shodě je obsaženo v Příloze A tohoto návodu k obsluze.

# BEZPEČNOSTNÍ VÝSTRAHY

## Obecná bezpečnostní upozornění k elektrickému nářadí

**VAROVÁNÍ:** Přečtěte si všechny bezpečnostní výstrahy i pokyny a prohlédněte si ilustrace a specifikace dodané k tomuto elektrickému nářadí. Nedodržení všech níže uvedených pokynů může vést k úrazu elektrickým proudem, požáru či vážnému zranění.

## Všechna upozornění a pokyny si uschovejte pro budoucí potřebu.

Pojem „elektrické nářadí“ v upozorněních označuje elektrické nářadí, které se zapojuje do elektrické sítě, nebo elektrické nářadí využívající akumulátory.

## Bezpečnostní varování k akumulátorovému šroubováku

1. Při práci v místech, kde může dojít ke kontaktu spojovacího prvku se skrytým elektrickým vedením, držte elektrické nářadí za izolované části držadel. Spojovací prvky mohou při kontaktu s vodičem pod napětím přenést proud do nechráněných částí nářadí a obsluha může utrpět úraz elektrickým proudem.
2. Vždy zaujměte stabilní postoj. Při práci s nářadím ve výškách dbejte, aby se pod vámi nepohybovaly žádné osoby.
3. Držte nářadí pevně.
4. Nepřibližujte ruce k otáčejícím se částem.
5. Nedotýkejte se bezprostředně po skončení práce nástroje ani obrobku. Mohou být velmi horké a mohly by způsobit popáleniny kůže.
6. Obrobek vždy upínejte do svěráku či do podobného upevňovacího zařízení.

## TYTO POKYNY USCHOVEJTE.

**VAROVÁNÍ:** NEDOVOLTE, aby pohodnost nebo pocit znalosti výrobku (získaný na základě předchozího použití) vedl k zanedbání dodržování bezpečnostních pravidel platných pro tento výrobek.

NESPRÁVNÉ POUŽÍVÁNÍ či nedodržení bezpečnostních pravidel uvedených v tomto návodu k obsluze může způsobit vážné zranění.

## Důležitá bezpečnostní upozornění pro akumulátor

1. Před použitím akumulátoru si přečtěte všechny pokyny a varovné symboly na (1) nabíječce, (2) akumulátoru a (3) výrobku využívaným akumulátorem.
2. Akumulátor nerozebírejte.
3. Pokud se příliš zkrátí provozní doba akumulátoru, přerušte okamžitě práci. V opačném případě existuje riziko přehřívání, popálení nebo dokonce výbuchu.

4. Budou-li vaše oči zasaženy elektrolytem, vypláchněte je čistou vodou a okamžitě vyhledejte lékařskou pomoc. Může dojít ke ztrátě zraku.
5. Akumulátor nezkratujte:
  - (1) Nedotýkejte se svorek žádným vodivým materiálem.
  - (2) Neskladujte akumulátor v nádobě s jinými kovovými předměty, jako jsou hřebíky, mince, apod.
  - (3) Nevystavujte akumulátor vodě a dešti. Zkrat akumulátoru může způsobit velký průtok proudu, přehřátí, možné popálení a dokonce i poruchu.
6. Neskladujte nářadí a akumulátor na místech, kde může teplota překročit 50 °C (122 °F).
7. Nespalujte akumulátor, ani když je vážně poškozen nebo úplně opotřeben. Akumulátor může v ohni vybuchnout.
8. Dávejte pozor, abyste akumulátor neupustili ani s ním nenaráželi.
9. Nepoužívejte poškozené akumulátory.
10. Obsažené lithium-iontové akumulátory podléhají právním požadavkům na nebezpečné zboží.

V případě komerční přepravy například externími dopravci je třeba dodržet zvláštní požadavky na balení a značení.

Pro přípravu zboží k přepravě je nutná konzultace s odborníkem na nebezpečný materiál. Dodržujte také případné podrobnější národní předpisy. Odkryté kontakty přelepte izolační páskou či jinak zakryjte a akumulátory zabalte tak, aby se v balení nemohly pohybovat.

11. Při likvidaci akumulátoru postupujte podle místních předpisů.
12. Akumulátor používejte pouze s výrobky specifikovanými společností Makita. Instalace akumulátoru do nevhodujících výrobků může způsobit požár, nadměrné zahřívání, explozi nebo únik elektrolytu.

## TYTO POKYNY USCHOVEJTE.

**UPOZORNĚNÍ:** Používejte pouze originální akumulátory Makita. Používání neoriginálních nebo upravených akumulátorů může způsobit explozi akumulátoru a následný požár, zranění a jiné poškození. Zanáka tím také záruka společnosti Makita na nářadí a nabíječku Makita.

## Tipy k zajištění maximální životnosti akumulátoru

1. Akumulátor nabíjte dříve, než dojde k jeho úplnému vybití. Pokud si povšimnete sníženého výkonu nářadí, vždy jej zastavte a dobijte akumulátor.
2. Nikdy nenabíjete úplně nabitý akumulátor. Přebíjení zkracuje životnost akumulátoru.
3. Akumulátor dobíjete při pokojové teplotě od 10 °C do 40 °C (50 °F až 104 °F). Před nabíjením nechejte horký akumulátor zchladnout.
4. Pokud se akumulátor delší dobu nepoužívá (déle než šest měsíců), je nutno jej dobít.



# POPIS FUNKCÍ

**⚠ UPOZORNĚNÍ:** Před nastavováním nářadí nebo kontrolou jeho funkce se vždy přesvědčte, zda je vypnuté a je vyjmutý akumulátor.

## Nasazení a sejmutí akumulátoru

**⚠ UPOZORNĚNÍ:** Před nasazením či sejmutím akumulátoru nářadí vždy vypněte.

**⚠ UPOZORNĚNÍ:** Při nasazování či snímání akumulátoru pevně držte nářadí i akumulátor. V opačném případě vám může nářadí nebo akumulátor vyklouznout z rukou a mohlo by dojít k jejich poškození či ke zranění.

► **Obr.1:** 1. Červený indikátor 2. Tlačítko 3. Akumulátor

Chcete-li akumulátor sejmout, vysuňte jej se současným přesunutím tlačítka na přední straně akumulátoru.

Při nasazování akumulátoru vyrovnajte jazýček na bloku akumulátoru s drážkou v krytu a zasuňte akumulátor na místo. Akumulátor zasuňte na doraz, až zacvakne na své místo. Není-li tlačítko zcela zajištěno, uvidíte na jeho horní straně červený indikátor.

**⚠ UPOZORNĚNÍ:** Akumulátor zasunujte vždy zcela tak, aby nebyl červený indikátor vidět. Jinak by mohl akumulátor ze zařízení vypadnout a způsobit zranění obsluze či přihlížejícím osobám.

















**⚠ UPOZORNĚNÍ:** Akumulátor nenasazujte násilím. Nelze-li akumulátor zasunout snadno, nevkládejte jej správně.

## Indikace zbývající kapacity akumulátoru

*Pouze pro akumulátory s diodovým ukazatelem*

► **Obr.2:** 1. Kontrolky 2. Tlačítko kontroly

Stisknutím tlačítka kontroly na akumulátoru zjistíte zbývající kapacitu akumulátoru. Kontrolky indikátoru se na několik sekund rozsvítí.

Kontrolky			Zbývající kapacita
 Svítí	 Nesvítí	 Bliká	
			75 % až 100 %
			50 % až 75 %
			25 % až 50 %
			0 % až 25 %
			Nabíjete akumulátor.
 	 		Došlo pravděpodobně k poruše akumulátoru.

**POZNÁMKA:** Kapacita udávaná indikátorem se může mírně lišit od skutečné kapacity v závislosti na podmínkách používání a teplotě prostředí.

## Systém ochrany nářadí a akumulátoru

Nářadí je vybaveno systémem ochrany nářadí a akumulátoru. Tento systém automaticky přeruší napájení motoru, aby se prodloužila životnost nářadí a akumulátoru. Budou-li nářadí nebo akumulátor vystaveny některé z níže uvedených podmínek, nářadí se během provozu automaticky vypne:

### Ochrana proti přetížení

Pokud se s akumulátorem pracuje způsobem vyvolávajícím mimořádně vysoký odběr proudu, nářadí se automaticky a bez jakékoli signalizace vypne. V takové situaci nářadí vypněte a ukončete činnost, při níž došlo k přetížení nářadí. Potom nářadí zapněte a obnovte činnost.

### Ochrana proti přehřátí

Při přehřátí nářadí či akumulátoru se nářadí automaticky vypne a světlo začne blikat. V takovém případě nechte nářadí a akumulátor před opětovným zapnutím vychladnout.

### Ochrana proti přílišnému vybití

V případě nedostačující kapacity akumulátoru se nářadí automaticky vypne. V takovém případě vyjměte akumulátor z nářadí a nabijte jej.

## Používání spouště

**⚠ VAROVÁNÍ:** Před vložením akumulátoru do nářadí vždy zkontrolujte správnou funkci spouště, a zda se po uvolnění vrací do vypnuté polohy.

► **Obr.3:** 1. Spoušť 2. Odjišťovací tlačítko

Chcete-li nářadí uvést do chodu, stačí stisknout spoušť. Otáčky nářadí se zvyšují zvyšováním tlaku na spoušť. Chcete-li nářadí vypnout, uvolněte spoušť.

Chcete-li pracovat v nepřetržitěm provozu, stiskněte spoušť, zamáčkněte zajišťovací tlačítko a potom spoušť uvolněte. Jestliže chcete nářadí v aretované poloze vypnout, stiskněte zcela spoušť a zase ji uvolněte.

**⚠ UPOZORNĚNÍ:** K zajištění pohodlí obsluhy při delším používání lze přepínač zajišťit v zapnuté poloze. Při zajišťování nářadí v zapnuté poloze buďte opatrní a nářadí pevně držte.

**POZNÁMKA:** Šroubovací bit se neotáčí ani se zapnutým spínačem a spuštěným motorem. Zatlačte na nářadí vpřed, aby sepnula spojka.

**POZNÁMKA:** Pokud je motor v chodu po dobu zhruba 6 minut, nářadí se automaticky vypne.

## Režim spuštění přítlakem

► **Obr.4:** 1. Tlačítko 2. Indikátor režimu

Nářadí umožňuje práci v režimu spuštění přítlakem. K šetření energie akumulátoru při nečinnosti se v tomto režimu vypne napájení motoru.

Režim spuštění přítlakem zapnete lehkým stisknutím spouště, jejím uvolněním a rychlým stisknutím tlačítka. Pak se rozsvítí indikátor režimu.

Po aktivaci spuštění přítlakem stisknete spoušť a pak stisknete aretační tlačítko. Zatlačte na šroubovací bit a pusťte se motor. Další přítlakem sepe spojka a šroubovací bit se začne otáčet. V režimu spuštění přítlakem se motor a šroubovací pracovní nástroj začínou otáčet pouze po přítlačení.

**POZNÁMKA:** Nebude-li nářadí přibližně 8 hodin spuštěno v režimu spuštění přítlakem s aretovanou spouští, vypne se. V takovém případě nářadí restartujte uvolněním a opětovným stisknutím spouště.

## Rozsvícení předního světla

**⚠ UPOZORNĚNÍ:** Nedívejte přímo do světla nebo jeho zdroje.

► **Obr.5:** 1. Světlo 2. Tlačítko

Pokud chcete zapnout světlo, zlehka stiskněte spoušť a zase ji uvolněte. Světlo zhasne přibližně 10 sekund po uvolnění spouště.

Pokud chcete nechat světlo zhasnuté, zlehka stiskněte spoušť, uvolněte ji a pak na několik sekund stiskněte tlačítko. Pokud chcete světlo zapnout, opakujte stejný postup.

V režimu spuštění přítlakem s aretovanou spouští se světlo vypne přibližně minutu po vypnutí motoru.

**POZNÁMKA:** Se stisknutou spouští nelze režim světla měnit.

**POZNÁMKA:** Režim světla lze změnit přibližně po 10 sekundách od uvolnění spouště.

**POZNÁMKA:** K očištění nečistot ze skla světla použijte suchý hadřík. Dbejte, abyste sklo světla nepoškrábali. Mohlo by dojít ke snížení svítivosti.

## Přepínání směru otáčení

► **Obr.6:** 1. Přepínací páčka směru otáčení

**⚠ UPOZORNĚNÍ:** Před zahájením provozu vždy zkontrolujte nastavený směr otáčení.

**⚠ UPOZORNĚNÍ:** Směr otáčení přepínejte až po úplném zastavení nářadí. Provedete-li změnu směru otáčení před zastavením nářadí, může dojít k jeho poškození.

**⚠ UPOZORNĚNÍ:** Pokud nářadí nepoužíváte, vždy přesuňte přepínací páčku směru otáčení do neutrální polohy.

Toto nářadí je vybaveno přepínačem směru otáčení. Přesunutím páčky přepínače směru otáčení do polohy ↶ (strana A) zapnete otáčení vpravo a přepnutím do polohy ↷ (strana B) otáčení vlevo. Je-li přepínací páčka směru otáčení v neutrální poloze, nelze stisknout spoušť nářadí.

## Nastavení hloubky

► **Obr.7:** 1. Lokátor

Hloubku lze upravit otočením lokátoru. Otáčením ve směru „B“ se hloubka zmenšuje a otáčením ve směru „A“ se zvětšuje. Jedna úplná otáčka lokátoru odpovídá změně hloubky o 2 mm (1/16").

**Pro model DFS250**

► **Obr.8:** 1. Lokátor

**Pro model DFS251**

► **Obr.9:** 1. Lokátor

Nastavte lokátor tak, aby byla vzdálenost mezi špičkou lokátoru a hlavou šroubu přibližně 3 mm (1/8") tak, jak je znázorněno na obrázcích. Zašroubujte do materiálu nebo zvláštního kusu stejného materiálu zkušební šroub. Pokud hloubka stále neodpovídá použitému šroubu, pokračujte v seřizování, dokud nedosáhnete správného nastavení hloubky.

## Hák

**⚠ UPOZORNĚNÍ:** Při zavěšování nářadí za hák vždy vyjměte akumulátor.

**⚠ UPOZORNĚNÍ:** Nikdy nástroj nezavěšujte ve výšce nebo na potenciálně nestabilním povrchu.

► **Obr.10:** 1. Háček

Háček je vhodný k dočasnému pověšení nářadí.

## SESTAVENÍ

**⚠ UPOZORNĚNÍ:** Před prováděním jakýchkoli prací na nářadí se vždy přesvědčte, zda je vypnuté a je vyjmutý akumulátor.

## Instalace a demontáž šroubovacího bitu a nástavce s vnitřním šestihranem

### Pro model DFS250

► **Obr.11:** 1. Lokátor

► **Obr.12:** 1. Lokátor 2. Šroubovací bit 3. Magnetický držák bitů

Chcete-li šroubovací bit vyjmout, uchopte jej kleštěmi a vytáhněte jej z magnetického držáku. Chcete-li nasadit šroubovací bit, zatlačte jej pevně do magnetického držáku. Potom nainstalujte lokátor jeho zatlačením dozadu.

### Pro model DFS251

► **Obr.13:** 1. Lokátor

► **Obr.14:** 1. Lokátor 2. Nástavec s vnitřním šestihranem

Pokud chcete nástavec s vnitřním šestihranem vyjmout, potáhněte za lokátor a nástavec vyjměte. Chcete-li nasadit nástavec s vnitřním šestihranem, zatlačte jej pevně do pouzdra. Potom nainstalujte lokátor jeho zatlačením dozadu.



## Háček

► **Obr.15:** 1. Drážka 2. Háček 3. Šroub

Háček je vhodný k dočasnému pověšení nářadí. Lze jej připevnit na obě strany nářadí.

Při instalaci háčku jej vložte do drážky na některém z bočních krytů nářadí a zajistěte jej šroubem. Chcete-li jej odstranit, uvolněte šroub a vyjměte jej.

## PRÁCE S NÁŘADÍM

### Šroubování

► **Obr.16**

Nasadte šroub na hrot nástroje a umístěte hrot šroubu na povrch upevňovaného dílu. Vyvíjte na nástroj tlak a uveďte jej do chodu. Jakmile sepne spojka, okamžitě nástroj oddalte. Poté uvolněte spoušť.

**⚠ UPOZORNĚNÍ:** Při nasazování šroubu na hrot nástroje dávejte pozor, abyste na šroub netlačili. Pokud šroub zatlačíte, dojde k sepnutí spojky a šroub se náhle začne otáčet. To by mohlo vést k poškození dílu nebo ke zranění.

**⚠ UPOZORNĚNÍ:** Dbejte, aby byl bit nasazen kolmo na hlavu šroubu. V opačném případě může dojít k poškození šroubu nebo bitu.

## ÚDRŽBA

**⚠ UPOZORNĚNÍ:** Před zahájením kontroly nebo údržby nářadí se vždy ujistěte, zda je vypnuté a je vyjmut akumulátor.

**POZOR:** Nikdy nepoužívejte benzín, benzen, ředidlo, alkohol či podobné prostředky. Mohlo by tak dojít ke změnám barvy, deformacím či vzniku prasklin.

K zachování BEZPEČNOSTI a SPOLEHLIVOSTI výrobku musí být opravy a veškerá další údržba či seřizování prováděny autorizovanými nebo továrními servisními středisky společnosti Makita s využitím náhradních dílů Makita.

## VOLITELNÉ PŘÍSLUŠENSTVÍ

**⚠ UPOZORNĚNÍ:** Pro nářadí Makita popsané v tomto návodu doporučujeme používat následující příslušenství a nástavce. Při použití jiného příslušenství či nástavců může hrozit nebezpečí zranění osob. Příslušenství lze používat pouze pro stanovené účely.

Potřebujete-li bližší informace ohledně tohoto příslušenství, obraťte se na místní servisní středisko společnosti Makita.

- Šroubovací bity
- Magnetický držák bitů
- Nástavce s vnitřním šestihranem
- Originální akumulátor a nabíječka Makita
- Plastový kufřík

**POZNÁMKA:** Některé položky seznamu mohou být k nářadí přibaleny jako standardní příslušenství. Přibalené příslušenství se může v různých zemích lišit.

## ТЕХНІЧНІ ХАРАКТЕРИСТИКИ

Модель:		DFS250	DFS251
Величина затягування	Самосвердлячий гвинт	6 мм	
	Гвинт для гіпсокартону	5 мм	
Швидкість без навантаження (кількість обертів / хвилина)		0—2 500 хв <sup>-1</sup>	
Загальна довжина	З коротким центратором	223 мм	-
	З довгим центратором	239 мм	-
Загальна довжина		-	217 мм
Номинальна напруга		18 В пост. струму	
Маса нетто		1,5—1,9 кг	1,5—1,8 кг

- Оскільки наша програма наукових досліджень і розробок триває безперервно, наведені тут технічні характеристики можуть бути змінені без попередження.
- У різних країнах технічні характеристики можуть бути різними.
- Вага може відрізнятись залежно від допоміжного обладнання, наприклад касети з акумулятором. Найлегші та найважчі комплекти, відповідно до стандарту ЕРТА (Європейська асоціація виробників електроінструменту) від січня 01/2014 року, представлено в таблиці.

### Застосовна касета з акумулятором і зарядний пристрій

Касета з акумулятором	BL1815N / BL1820 / BL1820B / BL1830 / BL1830B / BL1840 / BL1840B / BL1850 / BL1850B / BL1860B
Зарядний пристрій	DC18RC / DC18RD / DC18RE / DC18SD / DC18SE / DC18SF

- Деякі касети з акумулятором і зарядні пристрої, які вказано вище, можуть бути недоступними залежно від вашого регіону або місця перебування.

**⚠ ПОПЕРЕДЖЕННЯ:** Використовуйте лише касети з акумулятором і зарядні пристрої, перелічені вище. Використання будь-яких інших касет з акумулятором і зарядних пристроїв може призвести до травмування й/або пожежі.

### Призначення

Інструмент призначено для вкручування гвинтів у деревину, метал та пластмасу.

### Шум

Рівень шуму за шкалою А в типовому виконанні, визначений відповідно до стандарту EN62841:

#### Модель DFS250

Рівень звукового тиску ( $L_{pA}$ ): 72 дБ (А)

Похибка (К): 3 дБ (А)

#### Модель DFS251

Рівень звукового тиску ( $L_{pA}$ ): 72 дБ (А)

Похибка (К): 3 дБ (А)

Рівень шуму під час роботи може перевищувати 80 дБ (А).

**⚠ ПОПЕРЕДЖЕННЯ:** Користуйтеся засобами захисту органів слуху.

### Вібрація

Загальна величина вібрації (векторна сума трьох напрямків) визначена згідно з EN62841:

#### Модель DFS250

Режим роботи: безударне загвинчування

Вібрація ( $a_h$ ): 2,5 м/с<sup>2</sup> або менше

Похибка (К): 1,5 м/с<sup>2</sup>

#### Модель DFS251

Режим роботи: безударне загвинчування

Вібрація ( $a_h$ ): 2,5 м/с<sup>2</sup> або менше

Похибка (К): 1,5 м/с<sup>2</sup>

**ПРИМІТКА:** Заявлене значення вібрації було виміряно відповідно до стандартних методів тестування та може використовуватися для порівняння одного інструмента з іншим.

**ПРИМІТКА:** Заявлене значення вібрації може також використовуватися для попередньої оцінки впливу.

**⚠ПОПЕРЕДЖЕННЯ:** Залежно від умов використання вібрація під час фактичної роботи електроінструмента може відрізнятись від заявленого значення вібрації.

**⚠ПОПЕРЕДЖЕННЯ:** Забезпечте належні запобіжні заходи для захисту оператора, що відповідатимуть умовам використання інструмента (слід брати до уваги всі складові робочого циклу, такі як час, коли інструмент вимкнено та коли він починає працювати на холостому ході під час запуску).

## Декларація про відповідність стандартам ЄС

### Тільки для країн Європи

Декларацію про відповідність стандартам ЄС наведено в Додатку А до цієї інструкції з експлуатації.

## ПОПЕРЕДЖЕННЯ ПРО ДОТРИМАННЯ ТЕХНІКИ БЕЗПЕКИ

### Загальні застереження щодо техніки безпеки при роботі з електроінструментами

**⚠ПОПЕРЕДЖЕННЯ:** Уважно ознайомтеся з усіма попередженнями про дотримання правил техніки безпеки, інструкціями, ілюстраціями та технічними характеристиками, що стосуються цього електроінструмента. Невиконання будь-яких інструкцій, перелічених нижче, може призвести до ураження електричним струмом, пожежі та/або тяжких травм.

## Збережіть усі інструкції з техніки безпеки та експлуатації на майбутнє.

Термін «електроінструмент», зазначений у інструкції з техніки безпеки, стосується електроінструмента, який функціонує від електромережі (електроінструмент з кабелем живлення), або електроінструмента з живленням від батареї (безпроводний електроінструмент).

## Попередження про небезпеку під час роботи з бездротовим шурупвертом

1. Тримайте електроприлад за ізольовані поверхні держака під час виконання дії, за якої кріпильний виріб може зачепити сховану проводку. Торкання кріпильною деталлю дроту під напругою може призвести до передавання напруги до оголених металевих частин інструмента та до ураження оператора електричним струмом.

2. Обов'язково забезпечте надійну опору. При виконанні робіт з інструментом на висоті переконайтеся, що внизу нікого немає.
3. Тримайте інструмент міцно.
4. Не наближайте руки до деталей, що обертаються.
5. Не торкайтеся свердла або оброблюваної деталі одразу після різання; вони можуть бути дуже гарячими, і це може призвести до опіку шкіри.
6. Оброблювану деталь обов'язково необхідно затискати в лещатах або подібному пристрої фіксації.

## ЗБЕРІГАЙТЕ ЦІ ВКАЗІВКИ.

**⚠ПОПЕРЕДЖЕННЯ:** НІКОЛИ НЕ втрачайте пильності та не розслабляйтеся під час користування виробом (що можливо при частому користуванні); обов'язково строго дотримуйтеся відповідних правил безпеки.

**НЕНАЛЕЖНЕ ВИКОРИСТАННЯ** або недотримання правил техніки безпеки, викладених у цій інструкції з експлуатації, може призвести до серйозних травм.

## Важливі інструкції з безпеки для касети з акумулятором

1. Перед тим як користуватися касетою з акумулятором, слід прочитати всі інструкції та застережні знаки щодо (1) зарядного пристрою акумулятора, (2) акумулятора та (3) виробів, що працюють від акумулятора.
2. Не слід розбирати касету з акумулятором.
3. Якщо період роботи дуже покоротшав, слід негайно припинити користування. Це може призвести до виникнення ризику перегріву, опіку та навіть вибуху.
4. У разі потрапляння електроліту в очі слід промити їх чистою водою та негайно звернутися до лікаря. Це може призвести до втрати зору.
5. Не закоротіть касету з акумулятором.
  - (1) Не слід торкатися клем будь-яким струмопровідним матеріалом.
  - (2) Не слід зберігати касету з акумулятором у ємності з іншими металевими предметами, такими як цвяхи, монети тощо.
  - (3) Не залишайте касету з акумулятором під дощем, запобігайте контакту з водою.

Коротке замикання може призвести до появи значного струму, перегріву, можливих опіків та навіть виходу з ладу.

6. Не слід зберігати інструмент та касету з акумулятором в місцях, де температура може сягнути чи перевищити 50°C (122°F).
7. Не слід спалювати касету з акумулятором, навіть якщо вона була неодноразово пошкоджена або повністю спрацьована. Касета з акумулятором може вибухнути у вогні.

8. Не слід кидати або ударяти акумулятор.
9. Не слід використовувати пошкоджений акумулятор.
10. Літій-іонні акумулятори, що містяться в інструменті, мають відповідати вимогам законів про небезпечні товари. Під час транспортування за допомогою комерційних перевезень, наприклад із залученням третьої сторони та експедиторів, необхідно дотримуватись особливих вимог, вказаних на пакуванні й у маркуванні. Під час підготування позиції до відправлення необхідно проконсультуватись зі спеціалістом з небезпечних матеріалів. Крім того, слід виконувати більш докладні національні настанови, якщо такі є. Заклейте відкриті контакти стрічкою або заховайте їх і запакуйте акумулятор таким чином, щоб він не міг рухатися в пакуванні.
11. Дотримуйтеся норм місцевого законодавства щодо утилізації акумуляторів.
12. Використовуйте акумулятори лише з виробами, указаними компанією Makita. Установлення акумуляторів у невідповідні виробу може призвести до пожежі, надмірного нагрівання, вибуху чи витоку електроліту.

## ЗБЕРІГАЙТЕ ЦІ ВКАЗІВКИ.

**⚠ОБЕРЕЖНО:** Використовуйте тільки акумулятори Makita. Використання акумуляторів, інших ніж оригінальні акумулятори Makita, або акумуляторів, конструкцію яких було змінено, може призвести до вибуху акумулятора і спричинити пожежу, травму або пошкодження. У зв'язку з цим також буде анульовано гарантію Makita на інструмент Makita і на зарядний пристрій.

## Поради з забезпечення максимального строку експлуатації акумулятора

1. Касету з акумулятором слід заряджати до того, як він розрядиться повністю. Завжди слід зупинити роботу інструмента та зарядити акумулятор, якщо ви помітили зменшення потужності інструмента.
2. Ніколи не слід заряджати повторно повністю заряджену касету з акумулятором. Перезарядження скорочує строк експлуатації акумулятора.
3. Заряджайте касету з акумулятором при кімнатній температурі 10°C—40°C (50°F—104°F). Перед тим як заряджати касету з акумулятором, слід зачекати, доки вона охолоне.
4. Якщо касета з акумулятором не використовувалася тривалий час (понад шість місяців), її слід зарядити.

## ОПИС РОБОТИ

**⚠ОБЕРЕЖНО:** Обов'язково переконайтеся, що прилад вимкнено, а касету з акумулятором знято, перед регулюванням або перевіркою функціонування інструмента.

## Встановлення та зняття касети з акумулятором

**⚠ОБЕРЕЖНО:** Завжди вимикайте інструмент перед встановленням або зняттям касети з акумулятором.

**⚠ОБЕРЕЖНО:** Під час встановлення або зняття касети з акумулятором слід міцно тримати інструмент та касету з акумулятором.

Якщо ви утримуватимете інструмент та касету з акумулятором недостатньо міцно, вони можуть вислизнути з рук, що може призвести до пошкодження інструмента та касети з акумулятором або може спричинити травми.

► **Рис.1:** 1. Червоний індикатор 2. Кнопка 3. Касета з акумулятором

Щоб зняти касету з акумулятором, слід витягнути її з інструмента, натиснувши на кнопку в передній частині касети.

Щоб установити касету з акумулятором, слід сумістити виступ на касеті з акумулятором із пазом у корпусі та вставити касету на місце. Її необхідно вставити повністю, аж доки не почуєте клацання. Якщо на верхній частині кнопки помітний червоний індикатор, це означає, що касета з акумулятором установлена не до кінця.

**⚠ОБЕРЕЖНО:** Завжди вставляйте касету з акумулятором повністю, аж поки червоний індикатор стане невидимим. Якщо цього не зробити, касета може випадково випасти з інструмента та завдати травми вам або людям, що знаходяться поряд.

**⚠ОБЕРЕЖНО:** Не встановлюйте касету з акумулятором із зусиллям. Якщо касета не вставляється легко, то це означає, що ви її неправильно вставляєте.

## Відображення залишкового заряду акумулятора

*Тільки для касет з акумулятором, які мають індикатори*

► **Рис.2:** 1. Індикаторні лампи 2. Кнопка перевірки  
Натисніть кнопку перевірки на касеті з акумулятором для відображення залишкового ресурсу акумулятора. Індикаторні лампи загоряться на кілька секунд.

Індикаторні лампи			Залишковий ресурс
Горить	Вимк.	Блимає	
■	□	▧	від 75 до 100%
■	■	■	від 50 до 75%
■	■	□	від 25 до 50%
■	□	□	від 0 до 25%
▧	□	□	Зарядіть акумулятор.
■	■	□	Можливо, акумулятор вийшов з ладу.
□	□	■	

**ПРИМІТКА:** Залежно від умов використання та температури оточуючого середовища показання можуть незначним чином відрізнятися від дійсного ресурсу.

## Система захисту інструмента/акумулятора

Інструмент оснащено системою захисту інструмента/акумулятора. Ця система автоматично вимикає живлення двигуна з метою збільшення терміну служби інструмента та акумулятора. Інструмент автоматично зупиняється під час роботи, якщо інструмент або акумулятор перебувають у зазначених нижче умовах.

### Захист від перевантаження

Якщо акумулятор використовується в умовах надмірного споживання струму, він автоматично вимикається без будь-якого попередження. У такому разі вимкніть інструмент і припиніть роботу, під час виконання якої інструмент зазнав перевантаження. Щоб перезапустити інструмент, увімкніть його знову.

### Захист від перегрівання

Якщо інструмент або акумулятор перегрівся, інструмент автоматично вимикається, а лампа підсвічування починає блимати. У такому випадку дозвольте інструменту й акумулятору охолонути, перш ніж знову увімкнути інструмент.

### Захист від надмірного розрядження

Коли заряд акумулятора стає недостатнім для подальшої роботи, інструмент автоматично зупиняється. У такому випадку вийміть акумулятор з інструмента та зарядіть його.

## Дія вмикача

**▲ПОПЕРЕДЖЕННЯ:** Перед тим як вставляти касету з акумулятором в інструмент, обов'язково перевірте, чи курок вмикача спрацював належним чином та повертається у положення «ВИМК.», коли його відпускають.

► **Рис.3:** 1. Курок вмикача 2. Кнопка блокування вимкненого положення

Щоб увімкнути інструмент, просто натисніть на курок вмикача. Швидкість інструмента зростає, якщо збільшити тиск на курок вмикача. Щоб зупинити роботу, відпустіть курок вмикача.

Для неперервної роботи натисніть на курок вмикача, потім натисніть кнопку блокування та відпустіть курок вмикача. Щоб зупинити інструмент із зафіксованим вмикачем, натисніть курок вмикача до кінця, а потім відпустіть його.

**▲ОБЕРЕЖНО:** Вмикач можна заблокувати в положенні «увімкнено» для зручності оператора у разі тривалого використання. У разі блокування інструмента в положенні «увімкнено» необхідно бути особливо обережним та міцно тримати інструмент.

**ПРИМІТКА:** Навіть якщо вмикач ввімкнено і двигун працює, наконечник для викручування не обертається. Штовхніть інструмент уперед, щоб задіяти зчеплення.

**ПРИМІТКА:** Інструмент автоматично зупиняється, якщо двигун продовжує обертатися приблизно 6 хвилин.

## Режим натискання

► **Рис.4:** 1. Кнопка 2. Індикатор режиму

В інструменті передбачений режим натискання. У цьому режимі інструмент вимикає подачу живлення на двигун під час холостого ходу, щоб зекономити заряд акумулятора.

Щоб обрати режим натискання, трохи натисніть на курок, потім відпустіть його і швидко натисніть на кнопку. Після цього загоряється індикатор режиму. Коли режим натискання буде активований, натисніть на курок вмикача, після чого натисніть кнопку блокування. Піддайте наконечник для викручування тиску, і двигун почне обертатися. Подальше піддавання тиску призведе до спрацювання зчеплення, і наконечник для викручування почне обертатися. У режимі натискання двигун і наконечник для викручування обертаються лише за піддавання тиску.

**ПРИМІТКА:** Якщо інструмент не працює протягом приблизно 8 годин у режимі натискання з заблокованим курком, інструмент вимикається. У такому випадку для перезапуску інструмента відпустіть і знову натисніть на курок.

## Увімкнення переднього підсвічування

**⚠ ОБЕРЕЖНО:** Не дивіться на світло або безпосередньо на джерело світла.

► Рис.5: 1. Лампа 2. Кнопка

Щоб увімкнути лампу, трохи натисніть на курок вмикача і відпустіть його. Підсвічування згасне приблизно за 10 секунд після відпускання курка вмикача.

Щоб вимкнути підсвічування, трохи натисніть на курок вмикача, потім відпустіть його, після чого натисніть кнопку на декілька секунд. Щоб увімкнути підсвічування, повторіть цю операцію.

У режимі натискання з заблокованим курком вмикача підсвічування гасне приблизно через одну хвилину після зупинення двигуна.

**ПРИМІТКА:** Поки натиснуто курок вмикача, режим підсвічування змінити не можна.

**ПРИМІТКА:** Режим підсвічування можна змінити приблизно через 10 секунд після відпускання курка вмикача.

**ПРИМІТКА:** Для очищення скла лампи підсвічування протріть її сухою тканиною. Будьте обережні, щоб не подряпати скло лампи підсвічування, тому що це погіршить освітлювання.

## Робота перемикача реверсу

► Рис.6: 1. Важіль перемикача реверсу

**⚠ ОБЕРЕЖНО:** Перед початком роботи обов'язково перевіряйте напрям обертання.

**⚠ ОБЕРЕЖНО:** Перемикач реверсу можна використовувати тільки після повної зупинки інструмента. Зміна напрямку обертання до повної зупинки інструмента може призвести до його пошкодження.

**⚠ ОБЕРЕЖНО:** Коли інструмент не використовується, важіль перемикача реверсу повинен знаходитися в нейтральному положенні.

Цей інструмент обладнано перемикачем реверсу для зміни напрямку обертання. Для обертання за годинниковою стрілкою важіль перемикача реверсу слід пересунути в положення ← (сторона «А»), проти годинникової стрілки — в положення → (сторона «В»).

Коли важіль перемикача реверсу перебуває в нейтральному положенні, курок вмикача не можна натиснути.

## Регулювання глибини

► Рис.7: 1. Центратор

Глибину можна регулювати, повертаючи центратор. Повертайте його у напрямку «В» для зменшення глибини й у напрямку «А» — для її збільшення. Один повний оберт дорівнює зміні глибини на 2 мм (1/16").

Для DFS250

► Рис.8: 1. Центратор

Для DFS251

► Рис.9: 1. Центратор

Відрегулюйте центратор так, щоб відстань між кінчиком центратора та голівкою гвинта була приблизно 3 мм (1/8"), як показано на малюнках. Угвинтіть пробний гвинт у необхідний матеріал або його аналог. Якщо глибина все ще не підходить для гвинта, продовжуйте регулювання, доки не отримаєте відповідне значення глибини.

## Скоба

**⚠ ОБЕРЕЖНО:** Підвішуючи інструмент за скобу, завжди знімайте акумулятор.

**⚠ ОБЕРЕЖНО:** Ніколи не підвішуйте інструмент за скобу високо та не залишайте його на потенційно нестійкій поверхні.

► Рис.10: 1. Скоба

Скобу зручно використовувати для тимчасового підвішування інструмента.

## ЗБОРКА

**⚠ ОБЕРЕЖНО:** Обов'язково переконайтеся, що прилад вимкнено, а касету з акумулятором знято, перш ніж проводити будь-які роботи з інструментом.

## Встановлення та зняття наконечника для викручування або наконечника патронного типу

### Для DFS250

► Рис.11: 1. Центратор

► Рис.12: 1. Центратор 2. Наконечник для викручування 3. Магнітний тримач наконечника

Щоб витягти наконечник для викручування, потягніть за центратор, а потім візьміться за наконечник плоскогубцями та витягніть його з магнітного тримача. Для встановлення наконечника для викручування слід міцно вставити його в магнітний тримач. Потім встановіть центратор, міцно втиснувши його на місце.

## Для DFS251

► **Рис.13:** 1. Центратор

► **Рис.14:** 1. Центратор 2. Наконечник патронного типу

Щоб зняти наконечник патронного типу, потягніть за центратор, а потім витягніть наконечник. Для встановлення наконечника патронного типу слід міцно вставити його в муфту. Потім встановіть центратор, міцно втиснувши його на місце.

### Гак

► **Рис.15:** 1. Паз 2. Гак 3. Гвинт

Скобу зручно використовувати для тимчасового підвішування інструмента. Його можна встановлювати на будь-якому боці інструмента.

Щоб встановити гак, вставте його в паз на корпусі інструмента з будь-якого боку та закріпіть за допомогою гвинта. Щоб зняти гак, відпустіть гвинт і витягніть його.

## РОБОТА

### Загвинчування

► **Рис.16**

Встановіть гвинт на наконечник, а потім встановіть кінчик гвинта на поверхню деталі, яка кріпитиметься. Натисніть на інструмент та запустіть його. Інструмент слід забирати одразу після спрацювання зчеплення. Потім слід відпустити курок вмикача.

**⚠ОБЕРЕЖНО:** Встановлюючи гвинт на наконечник, слід бути обережним, щоб не натиснути на гвинт. Якщо натиснути на гвинт, то може спрацювати зчеплення і гвинт раптово почне обертатись. Це може пошкодити деталь або призвести до поранень.

**⚠ОБЕРЕЖНО:** Перевірте, щоб наконечник був рівно вставлений в голівку гвинта, інакше гвинт та/або наконечник можуть пошкодитись.

## ТЕХНІЧНЕ ОБСЛУГОВУВАННЯ

**⚠ОБЕРЕЖНО:** Перед здійсненням перевірки або обслуговування завжди перевіряйте, щоб інструмент був вимкнений, а касета з акумулятором була знята.

**УВАГА:** Ніколи не використовуйте газолін, бензин, розріджувач, спирт та подібні речовини. Їх використання може призвести до зміни кольору, деформації або появи тріщин.

Для забезпечення БЕЗПЕКИ та НАДІЙНОСТІ продукції, її ремонт, а також роботи з обслуговування або регулювання повинні виконуватись уповноваженими або заводськими сервісними центрами Makita із використанням запчастин виробництва компанії Makita.

## ДОДАТКОВЕ ПРИЛАДДЯ

**⚠ОБЕРЕЖНО:** Це додаткове та допоміжне обладнання рекомендовано використовувати з інструментом Makita, зазначеним у цій інструкції з експлуатації. Використання будь-якого іншого додаткового та допоміжного обладнання може становити небезпеку травмування. Використовуйте додаткове та допоміжне обладнання лише за призначенням.

У разі необхідності отримати допомогу в більш детальному ознайомленні з оснащенням звертайтеся до місцевого сервісного центру Makita.

- Наконечники для викручування
- Магнітний тримач наконечника
- Наконечники патронного типу
- Оригінальний акумулятор та зарядний пристрій Makita
- Пластмасова валіза для транспортування

**ПРИМІТКА:** Деякі елементи списку можуть входити до комплекту інструмента як стандартне приладдя. Вони можуть відрізнитися залежно від країни.

## SPECIFICAȚII

Model:		DFS250	DFS251
Capacități de strângere	Șurub autofiletant	6 mm	
	Șurub pentru perete de rigips	5 mm	
Turație în gol (RPM)		0 - 2.500 min <sup>-1</sup>	
Lungime totală	Cu fixator scurt	223 mm	-
	Cu fixator lung	239 mm	-
Lungime totală		-	217 mm
Tensiune nominală		18 V D.C.	18 V cc.
Greutate netă		1,5 - 1,9 kg	1,5 - 1,8 kg

- Datorită programului nostru continuu de cercetare și dezvoltare, specificațiile pot fi modificate fără o notificare prealabilă.
- Specificațiile pot varia în funcție de țară.
- Greutatea poate diferi în funcție de accesoriu(ii), inclusiv cartușul acumulatorului. În tabel se prezintă combinația cea mai ușoară și cea mai grea, conform Procedurii EPTA 01/2014.

## Cartușul acumulatorului și încărcătorul aplicabile

Cartușul acumulatorului	BL1815N / BL1820 / BL1820B / BL1830 / BL1830B / BL1840 / BL1840B / BL1850 / BL1850B / BL1860B
Încărcător	DC18RC / DC18RD / DC18RE / DC18SD / DC18SE / DC18SF

- Este posibil ca unele cartușe ale acumulatorilor și încărcătoare menționate mai sus să nu fie disponibile în funcție de regiunea dvs. de reședință.

**⚠️ AVERTIZARE:** Utilizați numai cartușele de acumulator și încărcătoarele enumerate mai sus. Utilizarea oricăror altor cartușe de acumulator și încărcătoare poate duce la rănire și/sau incendiu.

## Destinația de utilizare

Mașina este destinată înșurubării în lemn, metal și plastic.

## Zgomot

Nivelul de zgomot normal ponderat A determinat în conformitate cu EN62841:

### Model DFS250

Nivel de presiune acustică ( $L_{pA}$ ): 72 dB(A)

Marjă de eroare (K): 3 dB(A)

### Model DFS251

Nivel de presiune acustică ( $L_{pA}$ ): 72 dB(A)

Marjă de eroare (K): 3 dB(A)

Nivelul de zgomot în timpul funcționării poate depăși 80 dB (A).

**⚠️ AVERTIZARE:** Purtați echipament de protecție pentru urechi.

## Vibrații

Valoarea totală a vibrațiilor (suma vectorilor tri-axiali) determinată conform EN62841:

### Model DFS250

Mod de lucru: înșurubare fără impact

Emisie de vibrații ( $a_h$ ): 2,5 m/s<sup>2</sup> sau mai puțin

Marjă de eroare (K): 1,5 m/s<sup>2</sup>

### Model DFS251

Mod de lucru: înșurubare fără impact

Emisie de vibrații ( $a_h$ ): 2,5 m/s<sup>2</sup> sau mai puțin

Marjă de eroare (K): 1,5 m/s<sup>2</sup>

**NOTĂ:** Nivelul de vibrații declarat a fost măsurat în conformitate cu metoda de test standard și poate fi utilizat pentru compararea unei unelte cu alta.

**NOTĂ:** Nivelul de vibrații declarat poate fi, de asemenea, utilizat într-o evaluare preliminară a expunerii.

**⚠️ AVERTIZARE:** Nivelul de vibrații în timpul utilizării efective a unelei electrice poate diferi de valoarea nivelului declarat, în funcție de modul în care unealta este utilizată.

**⚠️ AVERTIZARE:** Asigurați-vă că identificați măsurile de siguranță pentru a proteja operatorul, acestea fiind bazate pe o estimare a expunerii în condiții reale de utilizare (luând în considerare toate părțile ciclului de operare, precum timpii în care unealta a fost oprită, sau a funcționat în gol, pe lângă timpul de declanșare).

## Declarație de conformitate CE

### Numai pentru țările europene

Declarația de conformitate CE este inclusă ca Anexa A în acest manual de instrucțiuni.



# AVERTIZĂRI DE SIGURANȚĂ

## Avertismente generale de siguranță pentru mașinile electrice

**⚠️AVERTIZARE:** Citiți toate avertismentele privind siguranța, instrucțiunile, ilustrațiile și specificațiile furnizate cu această sculă electrică. Nerespectarea integrală a instrucțiunilor de mai jos poate cauza electrocutări, incendii și/sau vătămări corporale grave.

## Păstrați toate avertismentele și instrucțiunile pentru consultări ulterioare.

Termenul „mașină electrică” din avertizări se referă la mașinile dumneavoastră electrice acționate de la rețea (prin cablu) sau cu acumulator (fără cablu).

## Avertismente privind siguranța pentru mașina de înșurubat cu acumulator

1. **Țineți mașina electrică numai de suprafețele de prindere izolate atunci când efectuați o operațiune în care dispozitivul de fixare poate intra în contact cu fire ascunse.** Contactul organelor de asamblare cu un cablu aflat sub tensiune poate pune sub tensiune piesele metalice expuse ale mașinii electrice, conducând la electrocutarea operatorului.
2. **Păstrați-vă echilibrul.** Asigurați-vă că nu se află nicio persoană dedesubt atunci când folosiți mașina la înălțime.
3. **Țineți bine mașina.**
4. **Nu atingeți piesele în mișcare.**
5. **Nu atingeți capul de acționare sau piesa prelucrată imediat după executarea lucrării;** acestea pot fi extrem de fierbinți și pot provoca arsuri ale pielii.
6. **Piesa de prelucrat trebuie fixată întotdeauna cu o menghină sau cu un alt dispozitiv similar de fixare.**

## PĂSTRAȚI ACESTE INSTRUCȚIUNI.

**⚠️AVERTIZARE:** NU permiteți comodității și familiarizării cu produsul (obținute prin utilizare repetată) să înlocuiască respectarea strictă a normelor de securitate pentru acest produs.

**FOLOSIREA INCORECTĂ** sau nerespectarea normelor de securitate din acest manual de instrucțiuni poate provoca vătămări corporale grave.

## Instrucțiuni importante privind siguranța pentru cartușul acumulatorului

1. **Înainte de a folosi cartușul acumulatorului, citiți toate instrucțiunile și atenționările de pe (1) încărcătorul acumulatorului, (2) acumulator și (3) produsul care folosește acumulatorul.**
2. **Nu dezmembrați cartușul acumulatorului.**
3. **Dacă timpul de funcționare s-a redus excesiv, întrerupeți imediat funcționarea.** Aceasta poate prezenta risc de supraîncălzire, posibile arsuri și chiar explozie.

4. **Dacă electrolitul pătrunde în ochi, clătiți bine ochii cu apă curată și consultați imediat un medic.** Există risc de orbire.
5. **Nu scurtcircuitați cartușul acumulatorului:**
  - (1) **Nu atingeți bornele cu niciun material conductor.**
  - (2) **Evitați depozitarea cartușului acumulatorului la un loc cu alte obiecte metalice cum ar fi cuie, monede etc.**
  - (3) **Nu expuneți cartușul acumulatorului la apă sau ploaie.**

Un scurtcircuit al acumulatorului poate provoca un flux puternic de curent electric, supraîncălzire, posibile arsuri și chiar defectarea mașinii.

6. **Nu depozitați mașina și cartușul acumulatorului în spații în care temperatura poate atinge sau depăși 50 °C (122 °F).**
7. **Nu incinerati cartușul acumulatorului chiar dacă acesta este grav deteriorat sau complet uzat.** Cartușul acumulatorului poate exploda în foc.
8. **Aveți grijă să nu scăpați sau să loviți acumulatorul.**
9. **Nu utilizați un acumulator deteriorat.**
10. **Acumulatorii Li-Ion încorporați se supun cerințelor Legislației privind substanțele periculoase.** Pentru transporturi comerciale, efectuate de exemplu de către părți terțe, expeditori, trebuie respectate cerințele speciale de ambalare și etichetare. Pentru pregătirea articolului care urmează să fie expedit, este necesară consultarea unui expert în materiale periculoase. Vă rugăm să respectați, de asemenea, reglementările naționale, care pot fi mai detaliate. Izolați sau acoperiți contactele deschise și împachetați acumulatorul în așa fel încât să nu se poată mișca în ambalaj.
11. **Respectați normele naționale privind eliminarea la deșeurile a acumulatorului.**
12. **Utilizați acumulatoroalele numai cu produsele specificate de Makita.** Instalarea acumulatoroalelor în produse neconforme poate cauza incendii, căldură excesivă, explozii sau scurgeri de electrolit.

## PĂSTRAȚI ACESTE INSTRUCȚIUNI.

**⚠️ATENȚIE:** Folosiți numai acumulatori Makita originali. Acumulatorii Makita care nu sunt originali și acumulatorii care au suferit modificări se pot aprinde, provocând incendii, leziuni corporale și daune. De asemenea, anulează garanția oferită de Makita pentru unele și încărcătorul Makita.

## Sfaturi pentru obținerea unei durate maxime de exploatare a acumulatorului

1. **Încărcați cartușul acumulatorului înainte de a se descărca complet.** Întrerupeți întotdeauna funcționarea mașinii și încărcați cartușul acumulatorului când observați o scădere a puterii mașinii.
2. **Nu reîncărcați niciodată un acumulator complet încărcat.** Supraîncărcarea va scurta durata de exploatare a acumulatorului.
3. **Încărcați cartușul acumulatorului la temperatura camerei, între 10 °C - 40 °C (50 °F - 104 °F).** Lăsați un acumulator fierbinte să se răcească înainte de a-l încărca.
4. **Încărcați cartușul acumulatorului în cazul în care nu a fost utilizat pe o perioadă mai lungă (mai mult de șase luni).**

## DESCRIEREA FUNCȚIILOR

**ATENȚIE:** Asigurați-vă întotdeauna că mașina este oprită și cartușul acumulatorului este scos înainte de a ajusta sau verifica funcționarea mașinii.

### Instalarea sau scoaterea cartușului acumulatorului

**ATENȚIE:** Opriți întotdeauna mașina înainte de montarea sau demontarea cartușului de acumulator.

**ATENȚIE:** Țineți ferm mașina și cartușul acumulatorului la montarea sau demontarea cartușului. În cazul în care nu țineți ferm mașina și cartușul de acumulator, acestea vă pot aluneca din mâini, rezultând defectarea mașinii și cartușului de acumulator, precum și în accidente personale.

► Fig.1: 1. Indicator roșu 2. Buton 3. Cartușul acumulatorului

Pentru a scoate cartușul acumulatorului, glisați-l din mașină în timp ce glisați butonul de pe partea frontală a cartușului.

Pentru a instala cartușul acumulatorului, aliniați limba de pe cartușul acumulatorului cu canelura din carcasă și introduceți-l în locaș. Introduceți-l complet, până când se înclochetează în locaș. Dacă puteți vedea indicatorul roșu din partea superioară a butonului, acesta nu este blocat complet.

**ATENȚIE:** Instalați întotdeauna cartușul acumulatorului complet, până când indicatorul roșu nu mai este vizibil. În caz contrar, acesta poate cădea accidental din mașină provocând rănirea dumneavoastră sau a persoanelor din jur.

**ATENȚIE:** Nu forțați cartușul acumulatorului la montare. Dacă acesta nu glisează ușor, înseamnă că a fost introdus incorect.

### Indicarea capacității rămase a acumulatorului

Numai pentru cartușe de acumulator cu indicator

► Fig.2: 1. Lămpi indicatoare 2. Buton de verificare

Apăsăți butonul de verificare de pe cartușul acumulatorului, astfel încât să se indice capacitățile rămase ale acumulatorului. Lămpile indicatorului vor lumina timp de câteva secunde.

Lămpi indicatoare			Capacitate rămasă
Iluminat	Oprit	Iluminare intermitentă	
■ ■ ■ ■			între 75% și 100%
■ ■ ■ □			între 50% și 75%
■ ■ □ □			între 25% și 50%
■ □ □ □			între 0% și 25%
▬ □ □ □			Încărcați acumulatorul.
■ ■ □ □			Este posibil ca acumulatorul să fie defect.
□ □ ■ ■			

**NOTĂ:** În funcție de condițiile de utilizare și temperatura ambientală, indicația poate fi ușor diferită de capacitatea reală.

### Sistem de protecție mașină/acumulator

Mașina este prevăzută cu un sistem de protecție mașină/acumulator. Acest sistem întrerupe automat alimentarea motorului pentru a extinde durata de funcționare a mașinii și acumulatorului. Mașina se va opri automat în timpul funcționării dacă mașina sau acumulatorul se află într-una din situațiile următoare:

#### Protecție la suprasarcină

Când acumulatorul este utilizat într-un mod care duce la un consum exagerat de curent, mașina se va opri automat, fără nicio indicație. În această situație, opriți mașina și aplicația care a dus la suprasolicitarea mașinii. Apoi, reporniți mașina.

#### Protecție la supraîncălzire

În momentul în care mașina sau bateria se supraîncălzesc, mașina se oprește automat și lampa luminează intermitent. În acest caz, lăsați mașina și acumulatorul să se răcească înainte de a reporni mașina.

#### Protecție la supradescărcare

Când capacitatea acumulatorului scade, unele se oprește automat. În acest caz, scoateți acumulatorul din mașină și încărcați-l.

## Acționarea întrerupătorului

**⚠️ AVERTIZARE:** Înainte de a introduce cartușul acumulatorului în mașină, verificați întotdeauna dacă butonul declanșator funcționează corect și revine în poziția „OFF” (oprit) când este eliberat.

► Fig.3: 1. Buton declanșator 2. Buton de deblocare

Pentru a porni mașina, trageți de butonul declanșator. Viteza mașinii poate fi crescută prin creșterea forței de apăsare pe butonul declanșator. Eliberați butonul declanșator pentru a opri mașina.

Pentru funcționare continuă, trageți butonul declanșator, apoi apăsați butonul de blocare și eliberați butonul declanșator. Pentru a opri mașina din poziția blocată, apăsați complet butonul declanșator și apoi eliberați-l.

**⚠️ ATENȚIE:** Comutatorul poate fi blocat în poziția „ON” (pornire) pentru confortul utilizatorului în timpul utilizării prelungite. Acordați atenție atunci când blocați mașina în poziția „ON” (pornire) și țineți mașina ferm.

**NOTĂ:** Chiar și cu mașina pornită și motorul în funcțiune, capul de acțiune nu se rotește. Împingeți mașina în față pentru a acționa cuplajul.

**NOTĂ:** Mașina se oprește automat dacă motorul continuă să se rotească timp de aproximativ 6 minute.

## Mod de înșurubare prin împingere

► Fig.4: 1. Buton 2. Indicator mod

Această mașină are un mod de înșurubare prin împingere. În acest mod, mașina oprește motorul pentru a economisi energia acumulatorului în ralanti.

Pentru a selecta modul de înșurubare prin împingere, trageți ușor declanșatorul, apoi eliberați-l și apăsați rapid butonul. Indicatorul de mod va lumina.

După ce înșurubarea prin împingere este activată, trageți butonul declanșator și apoi apăsați butonul de blocare. Aplicați presiune pe capul de acțiune și motorul va începe să se rotească. O presiune mai mare va acționa cuplajul și capul de acțiune va începe să se rotească. În modul de înșurubare prin împingere, motorul și capul de acțiune se vor roti doar prin aplicarea presiunii.

**NOTĂ:** Dacă mașina nu este folosită timp de aproximativ 8 ore în modul de înșurubare prin împingere cu declanșatorul blocat, mașina este oprită. Într-un astfel de caz, eliberați și trageți declanșatorul din nou pentru repornire.

## Aprinderea lămpii frontale

**⚠️ ATENȚIE:** Nu priviți direct în raza sau în sursa de lumină.

► Fig.5: 1. Lampă 2. Buton

Pentru a aprinde lampa, trageți ușor de butonul declanșator și eliberați-l. Lampa se stinge după aproximativ 10 secunde de la eliberarea butonului declanșator.

Pentru a continua să stingeți lumina, trageți ușor butonul declanșator, eliberați-l și apoi apăsați butonul timp de câteva secunde. Pentru a aprinde lumina, efectuați din nou aceeași operațiune.

În modul de înșurubare prin împingere cu butonul declanșator blocat, lampa se stinge la aproximativ un minut după ce motorul se oprește.

**NOTĂ:** În timpul tragerii butonului declanșator, starea lămpii nu poate fi schimbată.

**NOTĂ:** Timp de aproximativ 10 secunde după eliberarea butonului declanșator, starea lămpii poate fi schimbată.

**NOTĂ:** Folosiți o lavetă uscată pentru a șterge murdăria de pe lentila lămpii. Aveți grijă să nu zgâriați lentila lămpii deoarece, în caz contrar, iluminarea va fi redusă.

## Funcția inversorului

► Fig.6: 1. Pârghie de inversor

**⚠️ ATENȚIE:** Verificați întotdeauna sensul de rotație înainte de utilizare.

**⚠️ ATENȚIE:** Folosiți inversorul numai după ce mașina s-a oprit complet. Schimbarea sensului de rotație înainte de oprirea mașinii poate avaria mașina.

**⚠️ ATENȚIE:** Atunci când nu folosiți mașina, deplasați întotdeauna pârghia inversorului în poziția neutră.

Această mașină dispune de un inversor pentru schimbarea sensului de rotație. Mutați pârghia de inversor în poziția ← (partea A) pentru rotire spre dreapta sau în poziția → (partea B) pentru rotire spre stânga. Când pârghia de inversor se află în poziție neutră, butonul declanșator nu poate fi apăsat.

## Reglarea adâncimii

► Fig.7: 1. Fixator

Adâncimea poate fi reglată prin rotirea fixatorului. Rotiți-l în direcția „B” pentru adâncime mai mică și în direcția „A” pentru adâncime mai mare. O rotație completă a fixatorului corespunde unei modificări cu 2 mm (1/16”) a adâncimii.

Pentru DFS250

► Fig.8: 1. Fixator

Pentru DFS251

► Fig.9: 1. Fixator

Reglați fixatorul astfel încât distanța dintre vârful acestuia și capătul șurubului să fie de aproximativ 3 mm (1/8”), după cum se poate observa în imagini. Introduceți un șurub de probă în materialul dvs. sau o bucată de material duplicat. Dacă adâncimea nu este adecvată pentru șurub, continuați reglarea până când obțineți adâncimea corectă.

## Agățătoare

**⚠️ ATENȚIE:** Scoateți întotdeauna acumulatorul atunci când agățați unealta de agățătoare.

**⚠️ ATENȚIE:** Nu agățați niciodată mașina în locații înalte sau pe suprafețe potențial instabile.

► Fig.10: 1. Agățătoare

Cârligul este util pentru suspendarea temporară a mașinii.

## ASAMBLARE

**ATENȚIE:** Asigurați-vă întotdeauna că mașina este oprită și cartușul acumulatorului este scos înainte de a executa orice lucrări la mașină.

### Montarea sau demontarea capului de acționare/capului de înșurubat hexagonal

#### Pentru DFS250

- **Fig.11:** 1. Fixator  
► **Fig.12:** 1. Fixator 2. Cap de acționare 3. Portsculă magnetică

Pentru a scoate capul de acționare, trageți de fixator, apoi prindeți capul de acționare cu o pereche de clești și trageți-l din portscula magnetică. Pentru a instala capul de acționare, împingeți-l puternic în portscula magnetică. Apoi instalați fixatorul apăsându-l cu putere înapoi.

#### Pentru DFS251

- **Fig.13:** 1. Fixator  
► **Fig.14:** 1. Fixator 2. Cap de acționare hexagonal

Pentru a scoate capul de acționare, trageți fixatorul iar apoi trageți capul de acționare. Pentru a instala capul de acționare, împingeți-l puternic în manșon. Apoi instalați fixatorul apăsându-l cu putere înapoi.

## Cârlig

- **Fig.15:** 1. Canelură 2. Cârlig 3. Șurub

Cârligul este util pentru suspendarea temporară a mașinii. Acesta poate fi instalat pe oricare latură a mașinii. Pentru a instala cârligul, introduceți-l într-o canelură din carcasa mașinii de pe oricare latură și fixați-l cu un șurub. Pentru demontare, slăbiți șuruburile și apoi scoateți-l.

## OPERAREA

### Înșurubarea

- **Fig.16**

Montați șurubul pe vârful capului de acționare și puneți vârful șurubului pe suprafața piesei de prelucrat care va fi fixată. Apăsați pe mașină și porniți-o. Retrageți mașina imediat ce cuplajul anclanșează. Apoi eliberați butonul declanșator.

**ATENȚIE:** Când instalați șurubul pe vârful capului de acționare, aveți grijă să nu apăsați pe șurub. Dacă apăsați pe șurub, cuplajul va anclanșa și șurubul se va roti brusc. Această acțiune poate deteriora piesa de prelucrat sau poate provoca vătămări corporale.

**ATENȚIE:** Asigurați-vă că ați introdus capul de acționare drept în capul șurubului, în caz contrar, șurubul și/sau capul de acționare pot fi deteriorate.

## ÎNTREȚINERE

**ATENȚIE:** Asigurați-vă întotdeauna că mașina este oprită și cartușul acumulatorului este scos înainte de a executa lucrările de inspecție și întreținere.

**NOTĂ:** Nu utilizați niciodată gazolină, benzină, diluant, alcool sau alte substanțe asemănătoare. În caz contrar, pot rezulta decolorări, deformări sau fisuri.

Pentru a menține SIGURANȚA și FIABILITATEA produsului, reparațiile și orice alte lucrări de întreținere sau reglare trebuie executate de centre de service Makita autorizate sau proprii, folosind întotdeauna piese de schimb Makita.

## ACCESORII OPȚIONALE

**ATENȚIE:** Folosiți accesoriile sau piesele auxiliare recomandate pentru mașina dumneavoastră Makita în acest manual. Utilizarea oricăror alte accesorii sau piese auxiliare poate prezenta risc de vătămare corporală. Utilizați accesoriile și piesele auxiliare numai în scopul destinat.

Dacă aveți nevoie de asistență sau de mai multe detalii referitoare la aceste accesorii, adresați-vă centrului local de service Makita.

- Capete de acționare
- Portsculă magnetică
- Capete de înșurubat hexagonale
- Acumulator și încărcător original Makita
- Cutie de plastic pentru transport

**NOTĂ:** Unele articole din listă pot fi incluse ca accesorii standard în ambalajul de scule. Acestea pot diferi în funcție de țară.

## TECHNISCHE DATEN

Modell:		DFS250	DFS251
Anzugskapazitäten	Bohrschraube	6 mm	
	Gipskartonplattenschraube	5 mm	
Leerlaufdrehzahl (U/min)		0 - 2.500 min <sup>-1</sup>	
Gesamtlänge	Mit kurzem Zentrierring	223 mm	-
	Mit langem Zentrierring	239 mm	-
Gesamtlänge		-	217 mm
Nennspannung		18 V Gleichstrom	
Nettogewicht		1,5 - 1,9 kg	1,5 - 1,8 kg

- Wir behalten uns vor, Änderungen der technischen Daten im Zuge der Entwicklung und des technischen Fortschritts ohne vorherige Ankündigung vorzunehmen.
- Die technischen Daten können von Land zu Land unterschiedlich sein.
- Das Gewicht kann abhängig von dem Aufsatz (den Aufsätzen), einschließlich des Akkus, unterschiedlich sein. Die leichteste und die schwerste Kombination, gemäß dem EPTA-Verfahren 01/2014, sind in der Tabelle angegeben.

## Zutreffende Akkus und Ladegeräte

Akku	BL1815N / BL1820 / BL1820B / BL1830 / BL1830B / BL1840 / BL1840B / BL1850 / BL1850B / BL1860B
Ladegerät	DC18RC / DC18RD / DC18RE / DC18SD / DC18SE / DC18SF

- Einige der oben aufgelisteten Akkus und Ladegeräte sind je nach Ihrem Wohngebiet eventuell nicht erhältlich.

**⚠️ WARNUNG:** Verwenden Sie nur die oben aufgeführten Akkus und Ladegeräte. Bei Verwendung irgendwelcher anderer Akkus und Ladegeräte besteht Verletzungs- und/oder Brandgefahr.

## Vorgesehene Verwendung

Das Werkzeug ist für das Eindrehen von Schrauben in Holz, Metall und Kunststoff vorgesehen.

## Geräusch

Typischer A-bewerteter Geräuschpegel ermittelt gemäß EN62841:

### Modell DFS250

Schalldruckpegel ( $L_{pA}$ ): 72 dB (A)

Messunsicherheit (K): 3 dB (A)

### Modell DFS251

Schalldruckpegel ( $L_{pA}$ ): 72 dB (A)

Messunsicherheit (K): 3 dB (A)

Der Geräuschpegel kann während des Betriebs 80 dB (A) überschreiten.

**⚠️ WARNUNG:** Einen Gehörschutz tragen.

## Schwingungen

Schwingungsgesamtwert (Drei-Achsen-Vektorsumme) ermittelt gemäß EN62841:

### Modell DFS250

Arbeitsmodus: Schraubbetrieb ohne Schlag

Schwingungsemission ( $a_h$ ): 2,5 m/s<sup>2</sup> oder weniger

Messunsicherheit (K): 1,5 m/s<sup>2</sup>

### Modell DFS251

Arbeitsmodus: Schraubbetrieb ohne Schlag

Schwingungsemission ( $a_h$ ): 2,5 m/s<sup>2</sup> oder weniger

Messunsicherheit (K): 1,5 m/s<sup>2</sup>

**HINWEIS:** Der angegebene Schwingungsemissionswert wurde im Einklang mit der Standardprüfmethode gemessen und kann für den Vergleich zwischen Werkzeugen herangezogen werden.

**HINWEIS:** Der angegebene Schwingungsemissionswert kann auch für eine Vorbewertung des Gefährdungsgrads verwendet werden.

**⚠️ WARNUNG:** Die Schwingungsemission während der tatsächlichen Benutzung des Werkzeugs kann je nach der Benutzungsweise des Werkzeugs vom angegebenen Emissionswert abweichen.

**⚠️ WARNUNG:** Identifizieren Sie Sicherheitsmaßnahmen zum Schutz des Benutzers anhand einer Schätzung des Gefährdungsgrads unter Berücksichtigung aller Phasen des Arbeitszyklus, wie z. B. Ausschalt- und Leerlaufzeiten des Werkzeugs zusätzlich zur Betriebszeit).

## EG-Konformitätserklärung

### Nur für europäische Länder

Die EG-Konformitätserklärung ist als Anhang A in dieser Bedienungsanleitung enthalten.

## SICHERHEITSWARNUNGEN

### Allgemeine Sicherheitswarnungen für Elektrowerkzeuge

**⚠️ WARNUNG:** Lesen Sie alle mit diesem Elektrowerkzeug gelieferten Sicherheitswarnungen, Anweisungen, Abbildungen und technischen Daten durch. Eine Missachtung der unten aufgeführten Anweisungen kann zu einem elektrischen Schlag, Brand und/oder schweren Verletzungen führen.

### Bewahren Sie alle Warnungen und Anweisungen für spätere Bezugnahme auf.

Der Ausdruck „Elektrowerkzeug“ in den Warnhinweisen bezieht sich auf Ihr mit Netzstrom (mit Kabel) oder Akku (ohne Kabel) betriebenes Elektrowerkzeug.

### Sicherheitswarnungen für Akku-Schrauber

1. Halten Sie das Elektrowerkzeug nur an den isolierten Griffflächen, wenn Sie Arbeiten ausführen, bei denen die Gefahr besteht, dass das Befestigungselement verborgene Kabel kontaktiert. Bei Kontakt mit einem Strom führenden Kabel können die freiliegenden Metallteile des Elektrowerkzeugs ebenfalls Strom führend werden, so dass der Benutzer einen elektrischen Schlag erleiden kann.
2. Achten Sie stets auf sicheren Stand. Vergewissern Sie sich bei Einsatz des Werkzeugs an hochgelegenen Arbeitsplätzen, dass sich keine Personen darunter aufhalten.
3. Halten Sie das Werkzeug mit festem Griff.
4. Halten Sie Ihre Hände von rotierenden Teilen fern.
5. Vermeiden Sie eine Berührung des Einsatzes oder des Werkstücks unmittelbar nach der Bearbeitung, weil die Teile noch sehr heiß sind und Hautverbrennungen verursachen können.
6. Spannen Sie Werkstücke stets in einen Schraubstock oder eine ähnliche Aufspannvorrichtung ein.

### DIESE ANWEISUNGEN AUFBEWAHREN.

**⚠️ WARNUNG:** Lassen Sie sich NICHT durch Bequemlichkeit oder Vertrautheit mit dem Produkt (durch wiederholten Gebrauch erworben) von der strikten Einhaltung der Sicherheitsregeln für das vorliegende Produkt abhalten.

**MISSBRAUCH** oder Missachtung der Sicherheitsvorschriften in dieser Anleitung können schwere Verletzungen verursachen.

### Wichtige Sicherheitsanweisungen für Akku

1. Lesen Sie vor der Benutzung des Akkus alle Anweisungen und Warnhinweise, die an (1) Ladegerät, (2) Akku und (3) Akkuwerkzeug angebracht sind.
2. Unterlassen Sie ein Zerlegen des Akkus.
3. Falls die Betriebszeit beträchtlich kürzer geworden ist, stellen Sie den Betrieb sofort ein. Anderenfalls besteht die Gefahr von Überhitzung, möglichen Verbrennungen und sogar einer Explosion.
4. Falls Elektrolyt in Ihre Augen gelangt, waschen Sie sie mit sauberem Wasser aus, und begeben Sie sich unverzüglich in ärztliche Behandlung. Anderenfalls können Sie Ihre Sehkraft verlieren.
5. Der Akku darf nicht kurzgeschlossen werden:
  - (1) Die Kontakte dürfen nicht mit leitfähigem Material berührt werden.
  - (2) Lagern Sie den Akku nicht in einem Behälter zusammen mit anderen Metallgegenständen, wie z. B. Nägel, Münzen usw.
  - (3) Setzen Sie den Akku weder Wasser noch Regen aus.

Ein Kurzschluss des Akkus verursacht starken Stromfluss, der Überhitzung, mögliche Verbrennungen und einen Defekt zur Folge haben kann.

6. Lagern Sie das Werkzeug und den Akku nicht an Orten, an denen die Temperatur 50 °C erreichen oder überschreiten kann.
7. Versuchen Sie niemals, den Akku zu verbrennen, selbst wenn er stark beschädigt oder vollkommen verbraucht ist. Der Akku kann im Feuer explodieren.
8. Achten Sie darauf, dass der Akku nicht fallen gelassen oder Stößen ausgesetzt wird.
9. Benutzen Sie keine beschädigten Akkus.
10. Die enthaltenen Lithium-Ionen-Akkus unterliegen den Anforderungen der Gefahrgut-Gesetzgebung.

Für kommerzielle Transporte, z. B. durch Dritte oder Spediteure, müssen besondere Anforderungen zu Verpackung und Etikettierung beachtet werden.

Zur Vorbereitung des zu transportierenden Artikels ist eine Beratung durch einen Experten für Gefahrgut erforderlich. Bitte beachten Sie möglicherweise ausführlichere nationale Vorschriften. Überkleben oder verdecken Sie offene Kontakte, und verpacken Sie den Akku so, dass er sich in der Verpackung nicht umher bewegen kann.

11. Befolgen Sie die örtlichen Bestimmungen bezüglich der Entsorgung von Akkus.
12. Verwenden Sie die Akkus nur mit den von Makita angegebenen Produkten. Das Einsetzen der Akkus in nicht konforme Produkte kann zu einem Brand, übermäßiger Hitzebildung, einer Explosion oder Auslaufen von Elektrolyt führen.

## DIESE ANWEISUNGEN AUFBEWAHREN.

**⚠ VORSICHT:** Verwenden Sie nur Original-Makita-Akkus. Die Verwendung von Nicht-Original-Makita-Akkus oder von Akkus, die abgeändert worden sind, kann zum Bersten des Akkus und daraus resultierenden Bränden, Personenschäden und Beschädigung führen. Außerdem wird dadurch die Makita-Garantie für das Makita-Werkzeug und -Ladegerät ungültig.

## Hinweise zur Aufrechterhaltung der maximalen Akku-Nutzungsdauer

1. Laden Sie den Akku, bevor er vollkommen erschöpft ist. Schalten Sie das Werkzeug stets aus, und laden Sie den Akku, wenn Sie ein Nachlassen der Werkzeugeistung feststellen.
2. Unterlassen Sie erneutes Laden eines voll aufgeladenen Akkus. Überladen führt zu einer Verkürzung der Nutzungsdauer des Akkus.
3. Laden Sie den Akku bei Raumtemperatur zwischen 10 – 40 °C. Lassen Sie einen heißen Akku abkühlen, bevor Sie ihn laden.
4. Der Akku muss geladen werden, wenn er lange Zeit (länger als sechs Monate) nicht benutzt wird.

## FUNKTIONSBESCHREIBUNG

**⚠ VORSICHT:** Vergewissern Sie sich vor der Durchführung von Einstellungen oder Funktionsprüfungen des Werkzeugs stets, dass das Werkzeug ausgeschaltet und der Akku abgenommen ist.

### Anbringen und Abnehmen des Akkus

**⚠ VORSICHT:** Schalten Sie das Werkzeug stets aus, bevor Sie den Akku anbringen oder abnehmen.

**⚠ VORSICHT:** Halten Sie das Werkzeug und den Akku beim Anbringen oder Abnehmen des Akkus sicher fest. Wenn Sie das Werkzeug und den Akku nicht sicher festhalten, können sie Ihnen aus der Hand rutschen, was zu einer Beschädigung des Werkzeugs und des Akkus und zu Körperverletzungen führen kann.

► **Abb.1:** 1. Rote Anzeige 2. Knopf 3. Akku

Ziehen Sie den Akku zum Abnehmen vom Werkzeug ab, während Sie den Knopf an der Vorderseite des Akkus verschieben.

Richten Sie zum Anbringen des Akkus dessen Führungsfeder auf die Nut im Gehäuse aus, und schieben Sie den Akku hinein. Schieben Sie ihn vollständig ein, bis er mit einem hörbaren Klicken einrastet. Falls die rote Anzeige an der Oberseite des Knopfes sichtbar ist, ist der Akku nicht vollständig verriegelt.

**⚠ VORSICHT:** Schieben Sie den Akku stets bis zum Anschlag ein, bis die rote Anzeige nicht mehr sichtbar ist. Anderenfalls kann er aus dem Werkzeug herausfallen und Sie oder umstehende Personen verletzen.

**⚠ VORSICHT:** Unterlassen Sie Gewaltanwendung beim Anbringen des Akkus. Falls der Akku nicht reibungslos hineingleitet, ist er nicht richtig ausgerichtet.

### Anzeigen der Akku-Restkapazität

**Nur für Akkus mit Anzeige**

► **Abb.2:** 1. Anzeigelampen 2. Prüftaste

Drücken Sie die Prüftaste am Akku, um die Akku-Restkapazität anzuzeigen. Die Anzeigelampen leuchten wenige Sekunden lang auf.



Anzeigelampen			Restkapazität
Erleuchtet	Aus	Blinkend	
			75 % bis 100 %
			50% bis 75%
			25% bis 50%
			0% bis 25%
			Den Akku aufladen.
			Möglicherweise liegt eine Funktionsstörung im Akku vor.

**HINWEIS:** Abhängig von den Benutzungsbedingungen und der Umgebungstemperatur kann die Anzeige geringfügig von der tatsächlichen Kapazität abweichen.

## Werkzeug/Akku-Schutzsystem

Das Werkzeug ist mit einem Werkzeug/Akku-Schutzsystem ausgestattet. Dieses System schaltet die Stromversorgung des Motors automatisch ab, um die Lebensdauer von Werkzeug und Akku zu verlängern. Das Werkzeug bleibt während des Betriebs automatisch stehen, wenn das Werkzeug oder der Akku einer der folgenden Bedingungen unterliegt:

### Überlastschutz

Wird der Akku auf eine Weise benutzt, die eine ungewöhnlich hohe Stromaufnahme bewirkt, bleibt das Werkzeug ohne jegliche Anzeige automatisch stehen. Schalten Sie in dieser Situation das Werkzeug aus, und brechen Sie die Arbeit ab, die eine Überlastung des Werkzeugs verursacht hat. Schalten Sie dann das Werkzeug wieder ein, um es neu zu starten.

### Überhitzungsschutz

Wenn das Werkzeug oder der Akku überhitzt wird, bleibt das Werkzeug automatisch stehen, und die Lampe beginnt zu blinken. Lassen Sie das Werkzeug und den Akku in diesem Fall abkühlen, bevor Sie das Werkzeug wieder einschalten.

### Überentladungsschutz

Wenn die Akkukapazität unzureichend wird, bleibt das Werkzeug automatisch stehen. Nehmen Sie in diesem Fall den Akku vom Werkzeug ab, und laden Sie ihn auf.

## Schalterfunktion

**⚠️ WARNUNG:** Vergewissern Sie sich vor dem Einsetzen des Akkus in das Werkzeug stets, dass der Ein-Aus-Schalter ordnungsgemäß funktioniert und beim Loslassen in die AUS-Stellung zurückkehrt.

► **Abb.3:** 1. Ein-Aus-Schalter 2. Einschaltsperrknopf

Drücken Sie zum Einschalten des Werkzeugs einfach den Ein-Aus-Schalter. Die Drehzahl erhöht sich durch verstärkte Druckausübung auf den Ein-Aus-Schalter. Lassen Sie den Ein-Aus-Schalter zum Anhalten los.

Für Dauerbetrieb den Ein-Aus-Schalter betätigen, den Arretierknopf hineindrücken, und dann den Ein-Aus-Schalter loslassen. Zum Ausrasten der Sperre den Ein-Aus-Schalter bis zum Anschlag hineindrücken und dann loslassen.

**⚠️ VORSICHT:** Der Schalter kann zur Arbeitserleichterung bei längerem Einsatz in der „EIN“-Stellung verriegelt werden. Lassen Sie Vorsicht walten, wenn Sie den Schalter in der „EIN“-Stellung verriegeln, und halten Sie das Werkzeug mit festem Griff.

**HINWEIS:** Der Schraubendrehereinsatz dreht sich selbst bei betätigtem Schalter und laufendem Motor nicht. Drücken Sie das Werkzeug nach vorn, um die Kupplung einzurücken.

**HINWEIS:** Falls der Motor etwa 6 Minuten lang ununterbrochen läuft, bleibt das Werkzeug automatisch stehen.

## Push-Drive-Modus

► **Abb.4:** 1. Knopf 2. Betriebsart-Anzeige

Dieses Werkzeug verfügt über einen Push-Drive-Modus. In diesem Modus schaltet das Werkzeug die Stromversorgung des Motors ab, um den Akku bei Leerlauf zu schonen.

Um den Push-Drive-Modus zu wählen, den Auslöser leicht betätigen, dann loslassen und schnell den Knopf drücken. Daraufhin leuchtet die Betriebsart-Anzeige auf.

Nach der Aktivierung des Push-Drive-Modus den Auslöseschalter betätigen, und dann den Arretierknopf hineindrücken. Wenn Sie Druck auf den Schraubendrehereinsatz ausüben, läuft der Motor an. Bei stärkerer Druckausübung rückt die Kupplung ein, und der Schraubendrehereinsatz beginnt sich zu drehen. Im Push-Drive-Modus drehen sich Motor und Schraubendrehereinsatz nur durch Druckausübung.

**HINWEIS:** Wird das Werkzeug im Push-Drive-Modus bei arretiertem Auslöser etwa 8 Stunden lang nicht benutzt, wird es ausgeschaltet. In einem solchen Fall den Auslöser loslassen und für Neustart erneut betätigen.

## Einschalten der Frontlampe

**⚠ VORSICHT:** Blicken Sie nicht direkt in die Lampe oder die Lichtquelle.

► **Abb.5:** 1. Lampe 2. Knopf

Um die Lampe einzuschalten, den Auslöseschalter leicht betätigen und dann loslassen. Die Lampe erlischt ungefähr 10 Sekunden nach dem Loslassen des Auslöseschalters.

Um die Lampe ausgeschaltet zu lassen, den Auslöseschalter leicht betätigen, dann loslassen und den Knopf wenige Sekunden lang drücken. Um die Lampe einzuschalten, führen Sie den gleichen Vorgang erneut durch.

Im Push-Drive-Modus bei arretiertem Auslöseschalter erlischt die Lampe ungefähr eine Minute nach dem Anhalten des Motors.

**HINWEIS:** Während der Betätigung des Ein-Aus-Schalters kann der Lampenstatus nicht geändert werden.

**HINWEIS:** Der Lampenstatus kann für etwa 10 Sekunden nach dem Loslassen des Ein-Aus-Schalters geändert werden.

**HINWEIS:** Wischen Sie Schmutz auf der Lampenlinse mit einem trockenen Tuch ab. Achten Sie sorgfältig darauf, dass Sie die Lampenlinse nicht verkratzen, weil sich sonst die Lichtstärke verringert.

## Funktion des Drehrichtungsumschalters

► **Abb.6:** 1. Drehrichtungsumschalthebel

**⚠ VORSICHT:** Prüfen Sie stets die Drehrichtung, bevor Sie mit der Arbeit beginnen.

**⚠ VORSICHT:** Betätigen Sie den Drehrichtungsumschalter erst, nachdem das Werkzeug völlig zum Stillstand gekommen ist. Durch Umschalten der Drehrichtung bei noch laufendem Werkzeug kann das Werkzeug beschädigt werden.

**⚠ VORSICHT:** Stellen Sie den Drehrichtungsumschalthebel stets auf die Neutralstellung, wenn Sie das Werkzeug nicht benutzen.

Dieses Werkzeug besitzt einen Drehrichtungsumschalter. Stellen Sie den Drehrichtungsumschalthebel für Drehung im Uhrzeigersinn auf die Position ↺ (Seite A) oder für Drehung gegen den Uhrzeigersinn auf die Position ↻ (Seite B). In der Neutralstellung des Drehrichtungsumschalthebels kann der Auslöseschalter nicht betätigt werden.

## Tiefeneinstellung

► **Abb.7:** 1. Zentrierring

Die Tiefe kann durch Drehen des Zentrierrings eingestellt werden. Drehen Sie ihn für geringere Tiefe in Richtung „B“, und für größere Tiefe in Richtung „A“. Eine volle Umdrehung des Zentrierrings entspricht einer Tiefenänderung von 2 mm.

**Für DFS250**

► **Abb.8:** 1. Zentrierring

**Für DFS251**

► **Abb.9:** 1. Zentrierring

Stellen Sie den Zentrierring so ein, dass der Abstand zwischen der Spitze des Zentrierrings und dem Schraubenkopf ungefähr 3 mm beträgt, wie in den Abbildungen gezeigt. Drehen Sie eine Probeschraube in Ihr Material oder ein Stück des gleichen Materials ein. Falls die Tiefe noch immer nicht für die Schraube geeignet ist, setzen Sie die Einstellung fort, bis die korrekte Tiefeneinstellung erreicht ist.

## Haken

**⚠ VORSICHT:** Nehmen Sie stets den Akku ab, wenn Sie das Werkzeug am Aufhänger aufhängen.

**⚠ VORSICHT:** Hängen Sie das Werkzeug auf keinen Fall an hoch gelegenen Stellen oder an einer potentiell instabilen Fläche auf.

► **Abb.10:** 1. Haken

Der Aufhänger ist praktisch, um das Werkzeug vorübergehend aufzuhängen.

## MONTAGE

**⚠ VORSICHT:** Vergewissern Sie sich vor der Ausführung von Arbeiten am Werkzeug stets, dass das Werkzeug ausgeschaltet und der Akku abgenommen ist.

## Montage und Demontage von Schraubendrehereinsatz/Steckschlüsseinsatz

**Für DFS250**

► **Abb.11:** 1. Zentrierring

► **Abb.12:** 1. Zentrierring 2. Schraubendrehereinsatz 3. Magnetischer Einsatzhalter

Um den Schraubendrehereinsatz zu entfernen, den Zentrierring ziehen, und dann den Einsatz mit einer Zange fassen und aus dem magnetischen Einsatzhalter herausziehen. Um den Schraubendrehereinsatz anzubringen, schieben Sie ihn fest in den magnetischen Einsatzhalter ein. Montieren Sie dann den Zentrierring, indem Sie ihn fest zurückschieben.

## Für DFS251

► **Abb.13:** 1. Zentriering

► **Abb.14:** 1. Zentriering 2. Steckschlüsseinsatz

Um den Steckschlüsseinsatz zu entfernen, ziehen Sie zunächst den Zentriering und dann den Steckschlüsseinsatz. Um den Steckschlüsseinsatz anzubringen, schieben Sie ihn fest in die Werkzeugaufnahme ein. Montieren Sie dann den Zentriering, indem Sie ihn fest zurückschieben.

### Aufhänger

► **Abb.15:** 1. Nut 2. Aufhänger 3. Schraube

Der Aufhänger ist praktisch, um das Werkzeug vorübergehend aufzuhängen. Dieser kann auf beiden Seiten des Werkzeugs angebracht werden.

Um den Aufhänger anzubringen, führen Sie ihn in die Nut entweder auf der linken oder rechten Seite des Werkzeuggehäuses ein, und sichern Sie ihn dann mit einer Schraube. Um ihn zu entfernen, lösen Sie die Schraube, und nehmen Sie dann ihn heraus.

## BETRIEB

### Schraubetrieb

► **Abb.16**

Setzen Sie die Schraube auf die Einsatzspitze, und platzieren Sie die Schraubenspitze auf die Oberfläche des zu befestigenden Werkstücks. Schalten Sie das Werkzeug ein, während Sie Druck ausüben. Ziehen Sie das Werkzeug zurück, sobald die Kupplung einrückt, und lassen Sie dann den Auslöseschalter los.

**⚠ VORSICHT:** Wenn Sie die Schraube auf die Einsatzspitze setzen, achten Sie darauf, die Schraube nicht anzudrücken. Wird die Schraube angedrückt, rückt die Kupplung ein, so dass die Schraube sich plötzlich dreht. Dies könnte das Werkstück beschädigen oder eine Verletzung verursachen.

**⚠ VORSICHT:** Achten Sie darauf, dass der Einsatz gerade in den Schraubenkopf eingeführt wird, um eine Beschädigung von Schraube und/oder Einsatz zu vermeiden.

## WARTUNG

**⚠ VORSICHT:** Vergewissern Sie sich vor der Durchführung von Inspektions- oder Wartungsarbeiten stets, dass das Werkzeug ausgeschaltet und der Akku abgenommen ist.

**ANMERKUNG:** Verwenden Sie auf keinen Fall Benzin, Waschbenzin, Verdünner, Alkohol oder dergleichen. Solche Mittel können Verfärbung, Verformung oder Rissbildung verursachen.

Um die SICHERHEIT und ZUVERLÄSSIGKEIT dieses Produkts zu gewährleisten, sollten Reparaturen und andere Wartungs- oder Einstellarbeiten nur von Makita-Vertragswerkstätten oder Makita-Kundendienstzentren unter ausschließlicher Verwendung von Makita-Originalersatzteilen ausgeführt werden.

## SONDERZUBEHÖR

**⚠ VORSICHT:** Die folgenden Zubehörteile oder Vorrichtungen werden für den Einsatz mit dem in dieser Anleitung beschriebenen Makita-Werkzeug empfohlen. Die Verwendung anderer Zubehörteile oder Vorrichtungen kann eine Verletzungsgefahr darstellen. Verwenden Sie Zubehörteile oder Vorrichtungen nur für ihren vorgesehenen Zweck.

Wenn Sie weitere Einzelheiten bezüglich dieser Zubehörteile benötigen, wenden Sie sich bitte an Ihre Makita-Kundendienststelle.

- Schraubendrehereinsätze
- Magnetischer Einsatzhalter
- Steckschlüsseinsätze
- Original-Makita-Akku und -Ladegerät
- Plastikkoffer

**HINWEIS:** Manche Teile in der Liste können als Standardzubehör im Werkzeugsatz enthalten sein. Sie können von Land zu Land unterschiedlich sein.



**Makita Europe N.V.** Jan-Baptist Vinkstraat 2,  
3070 Kortenberg, Belgium

**Makita Corporation** 3-11-8, Sumiyoshi-cho,  
Anjo, Aichi 446-8502 Japan

[www.makita.com](http://www.makita.com)

885536A971 EN, PL, HU, SK, CS, UK, RO, DE 20170921
---